

# SLICKLINE ASSISTANT WORKBOOK

**IMPORTANT NOTE:**

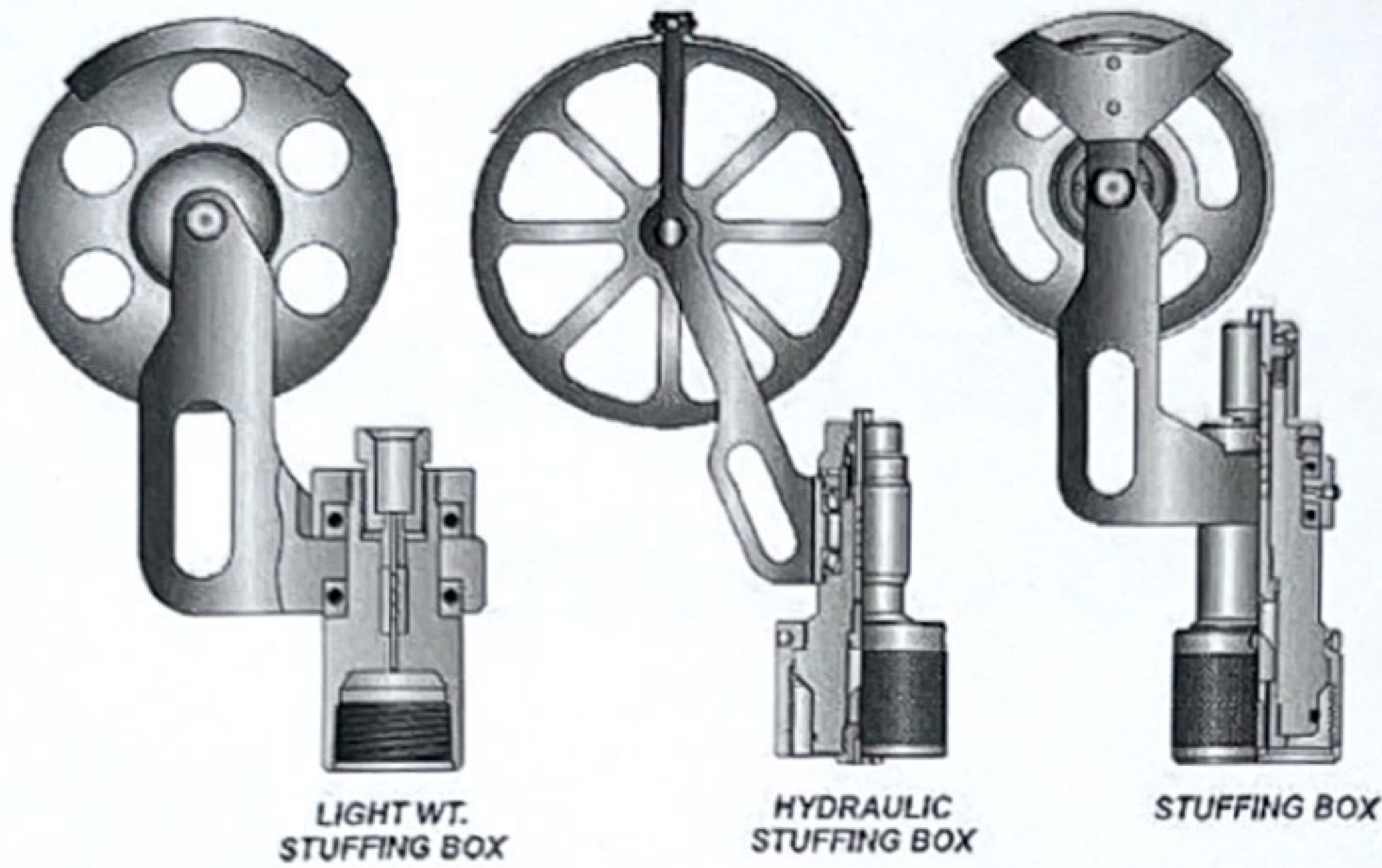
1. Your point of reference to complete this workbook may be obtained from the following
  - Training Manual and any other training materials provided together with this workbook
  - Your Trainer, Assessor (Slickline Operator), Verifier (FSM) or senior colleagues
  - SOP / Quality Procedures & Processors
2. The completion of this Workbook is a joint effort and responsibility between you and your assessor therefore you have the obligation to request from your assessor to be assessed upon your completion of each topic
3. The completion of this Workbook is part of the MANDATORY requirements which you must fulfill to qualify for a promotion
4. Your training program is mostly self-driven, including this Workbook. It requires individual initiatives, dedication and commitment to complete the process.

<b>NAME</b>	Mohammad Farhan bin Saifudin
<b>DATE OF JOIN</b>	11/12/23
<b>CONTACT NO.</b>	0197727475
<b>RECEIVED DATE</b>	8/1/24
<b>DATE COMPLETED</b>	18/3/24



**B. SURFACE EQUIPMENT**

**B.1. STUFFING BOX**



**What is Stuffing Box**

Stuffing box is a primary barrier that positioned at the uppermost point of the PCE string.

**What is the purpose of stuffing Box**

To allows the wireline to enter the well under pressure and provide a seal should be wireline break and be blow out of packing.

**How to operate Stuffing Box**

Stuffing box can be operated either manually or hydraulically which when hydraulic pressure is applied to area above piston, piston is forced downward againts force of spring.

  
GAZAL MEFIKY

Operation Manager  
Dimension Bid (M) Sdn Bhd  
Labuan Warehouse  
Slickline Services

9/5/24



What is maintenance required for Stuffing Box

Packings - not worn out  
Sheave - use the correct size for the line  
Upper and lower packing gland - check for wear  
BOP plunger - check for wear and freedom of vertical movement  
Sheave bearings - check for free spinning  
Sheave staff - check for freedom of swivel movement  
Sheave guard - tight and adjust close to the sheave to ensure it will trap the line

What is safety precaution required for Stuffing Box

Check for the packing whether worn out or in good condition and make sure using the correct size of sheave.

What is potential hazard during handling Stuffing Box

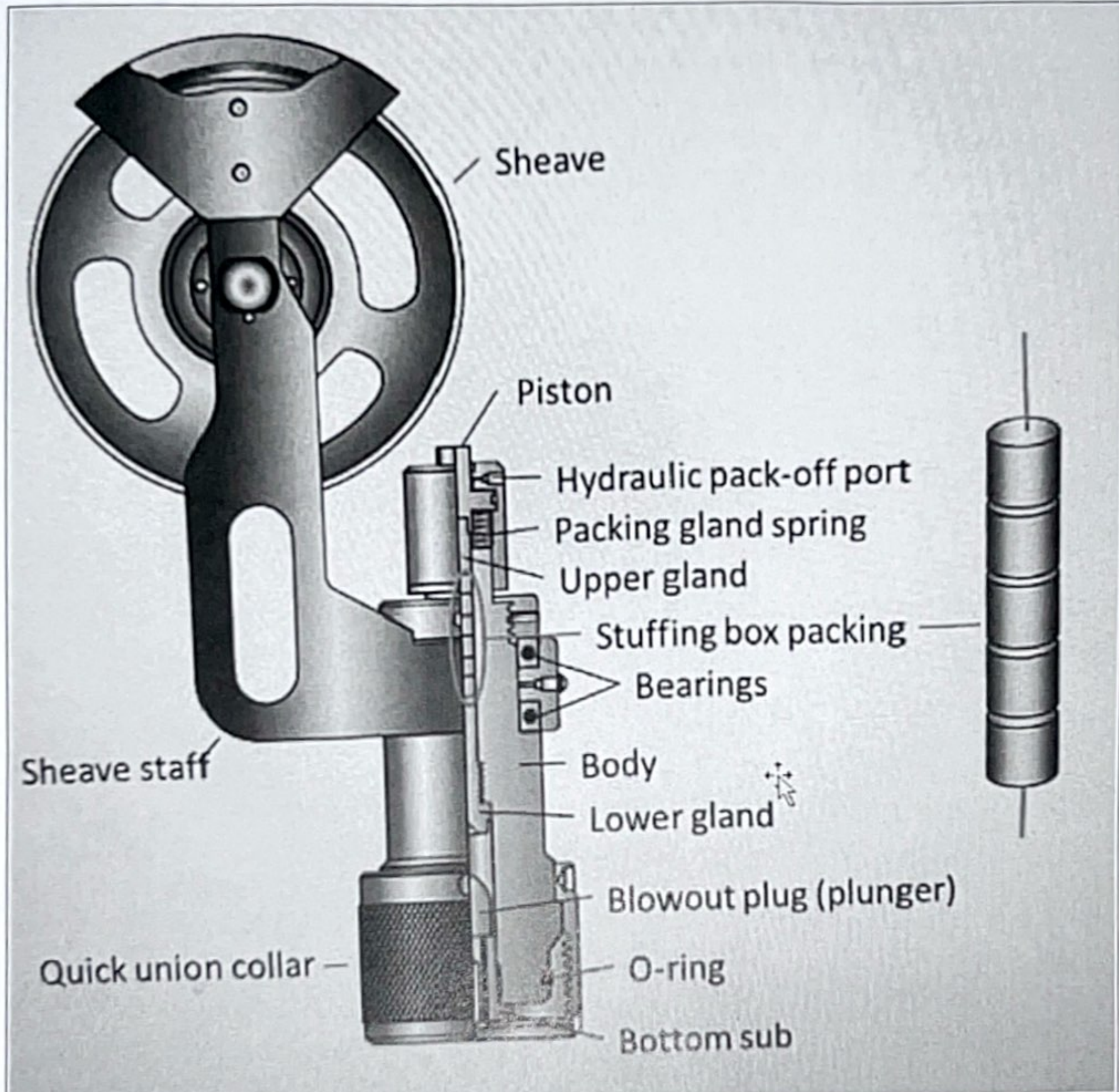
Drop object  
Pinch point  
Back injury

GAZALI MEHRY  
Operation Manager  
Dimension Bid (M) Sdn Bhd  
Labuan Warehouse  
Slickline Services

7/5/24



Draw & name each part of stuffing box



  
GAZALI MEHRY  
Operation Manager  
Dimension Bid (M) Sdn Bhd  
Labuan Warehouse  
Slickline Services

9/5/24



## B.2. LUBRICATOR

What is Lubricator

Lubricator are a series of interconnected length of pipe and also known as risers.

What is the purpose of Lubricator

To provide a space for the tool to be contained in under pressure, when opening and closing the wellhead.

How to operate Lubricator

Connect lubricator section using chain block, wireline mast, crane or gin pole.

What is maintenance required for Lubricator

Check for:

- general damage and corrosion
- condition of the needle valves on the lower sections
- visual inspection of the internal bore for corrosion and 'wire tracking' wear grooves

What is safety precaution required for Lubricator

Lubricator should be x-rayed

One of the lubricator must have a port to bleed of pressure

  
**GAZALI MEHRY**  
Operation Manager  
Dimension Bid (M) Sdn Bhd  
Labuan Warehouse  
Slickline Services

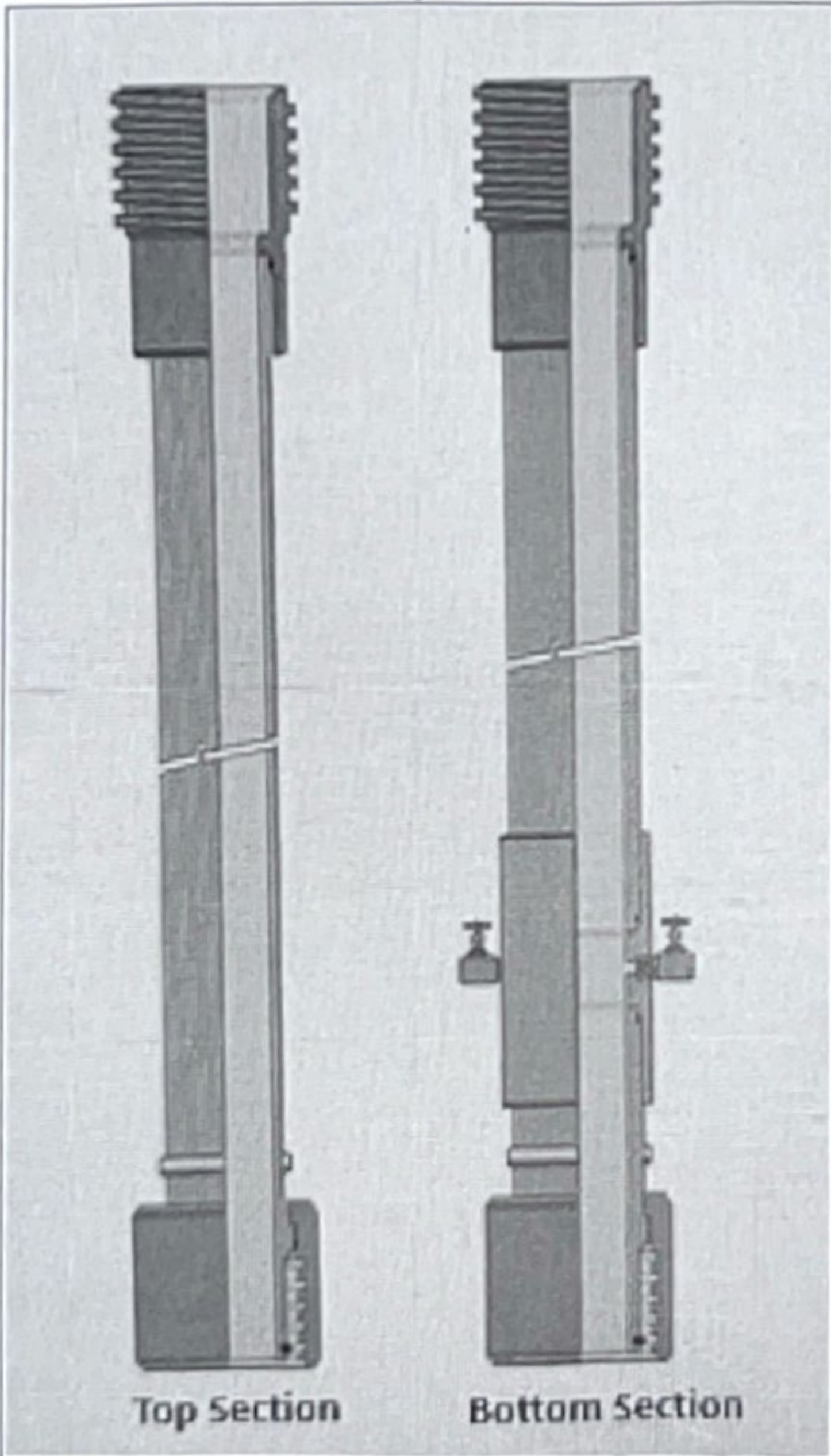
2/5/20



What is potential hazard during handling Lubricator

Drop object  
Pinch point  
Back injury

Draw & name each part of Lubricator



Box up connection

Kerotest Valve

Pin collar down connection

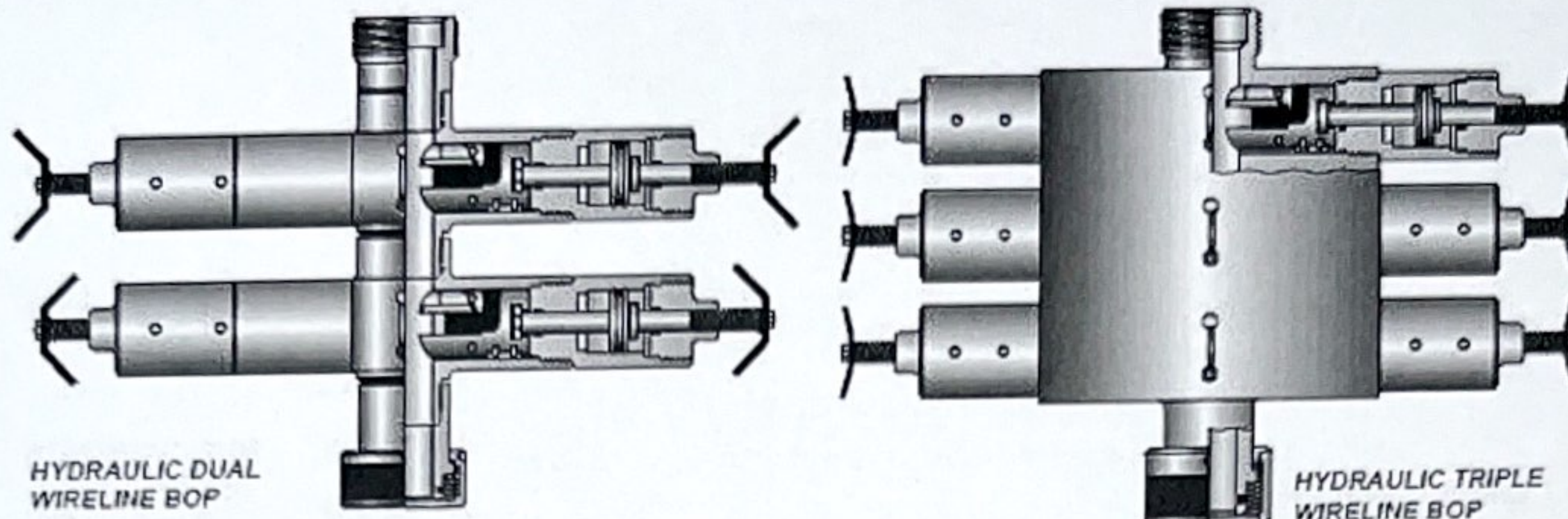
Top Section      Bottom Section

*[Signature]*  
**GAZALI MEHRY**  
Operation Manager  
Dimension Bid (M) Sdn Bhd  
Labuan Warehouse  
Slickline Services

10/5/24



## B.3. BLOWOUT PREVENTER (BOP)



### What is BOP

Blow out preventer or BOP is known as wireline valve which installed between the tree connection and lower lubricator section.

### What is the purpose of BOP

- To enable the well pressure to be isolated without cutting the wire by closing the master valve
- Permit the assembly of the wireline cutter above the BOP rams and dropping it if the toolstring becomes stuck in the well
- Allow slickline work to be conducted while containing the well pressure on surface with wire in the wellbore

### How to operate BOP

Hydraulically  
Using RSU, control panel

*[Signature]*  
GAZALI MEHRY  
Operation Manager  
Dimension Bid (M) Sdn Bhd  
Labuan Warehouse  
Slickline Services

*10/5/24*



What is maintenance required for BOP

Must be service and need to be pressure tested  
Level 1 Service - To be carried out after every job  
Level 2 Service - To be carried out once a year  
Level 3 Service - To be carried out every 5 years

What is safety precaution required for BOP

Ensure the rod has enlarged diameter below the ram to prevent it being blown out during testing.

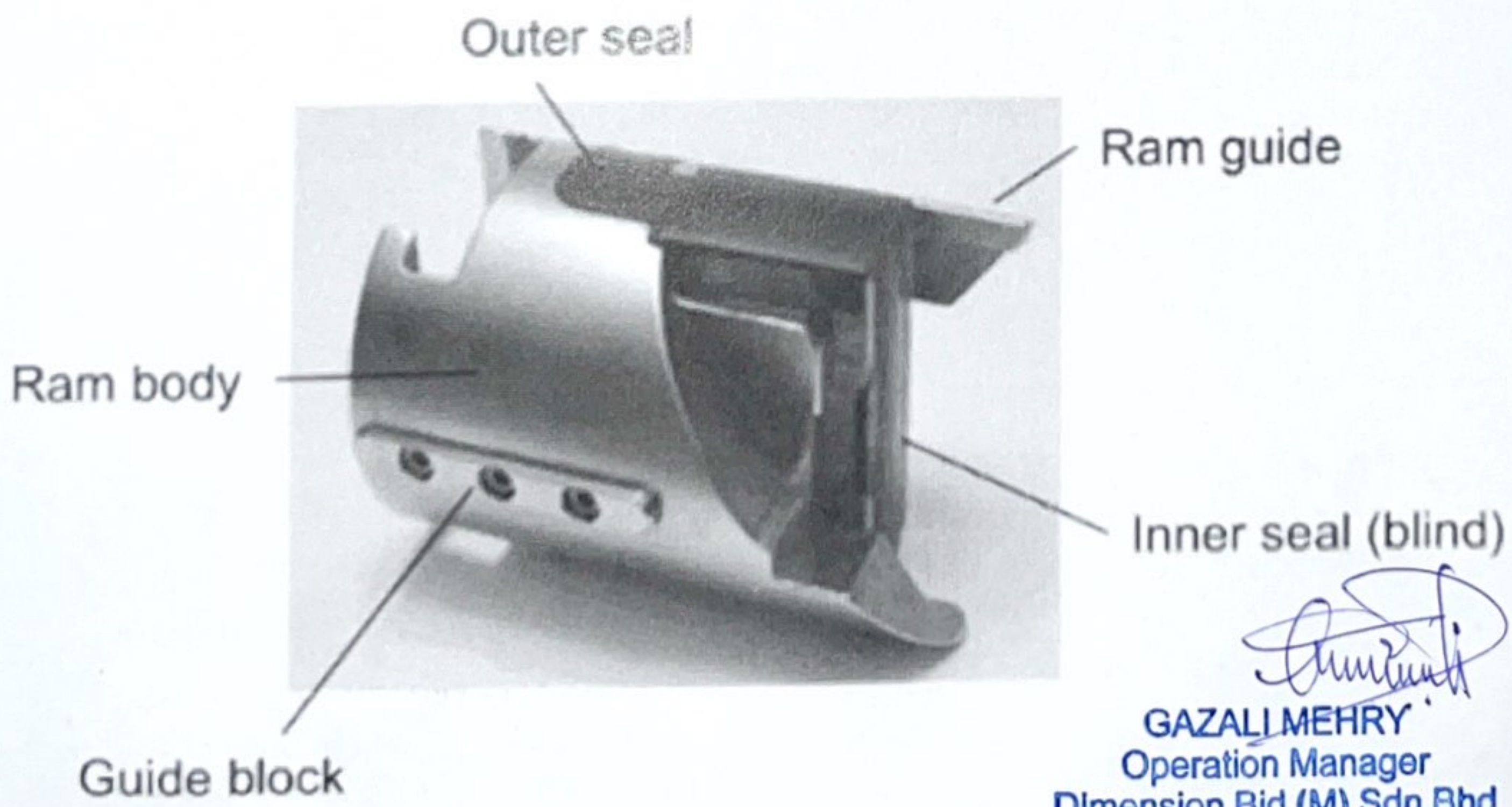
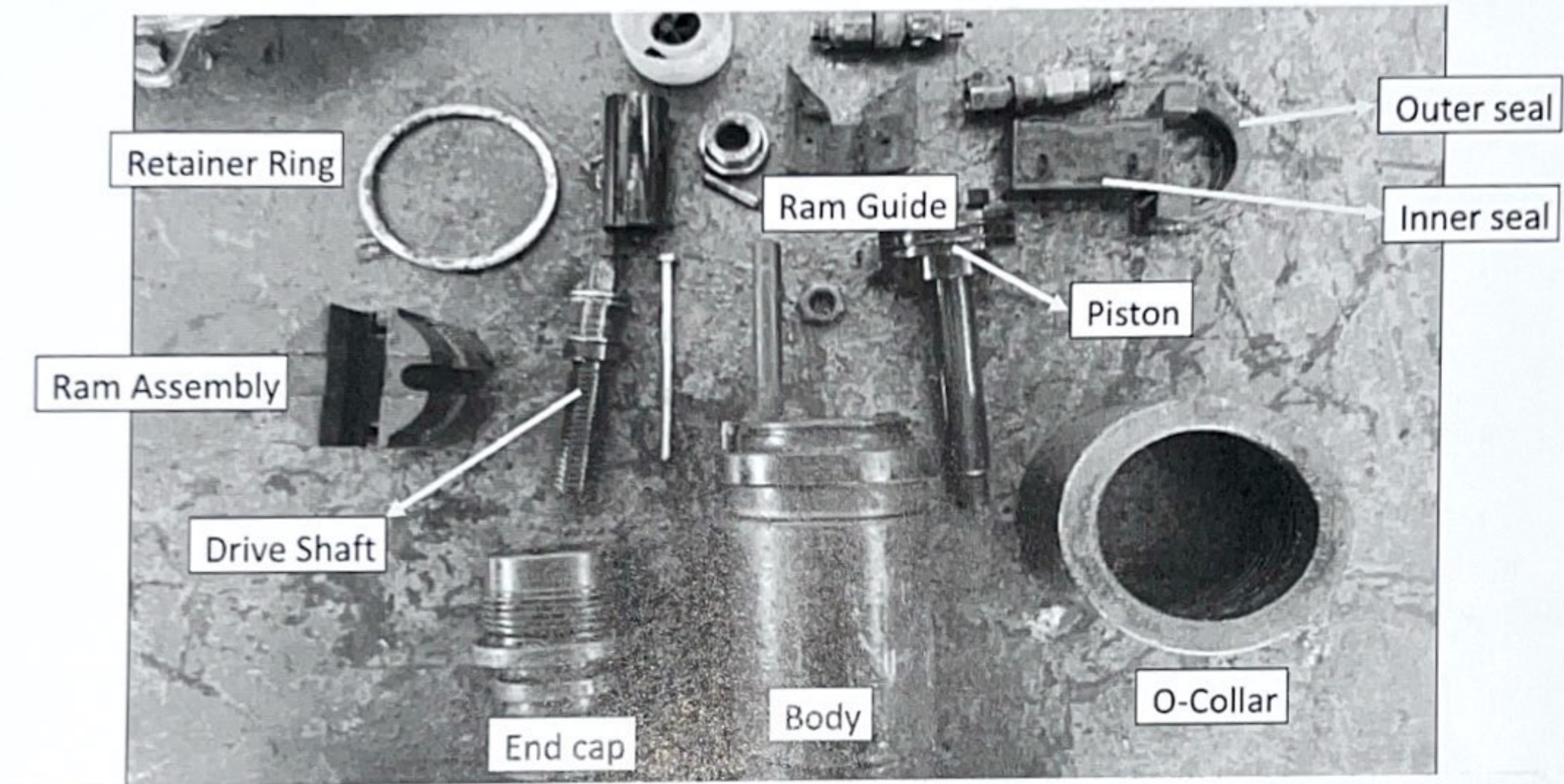
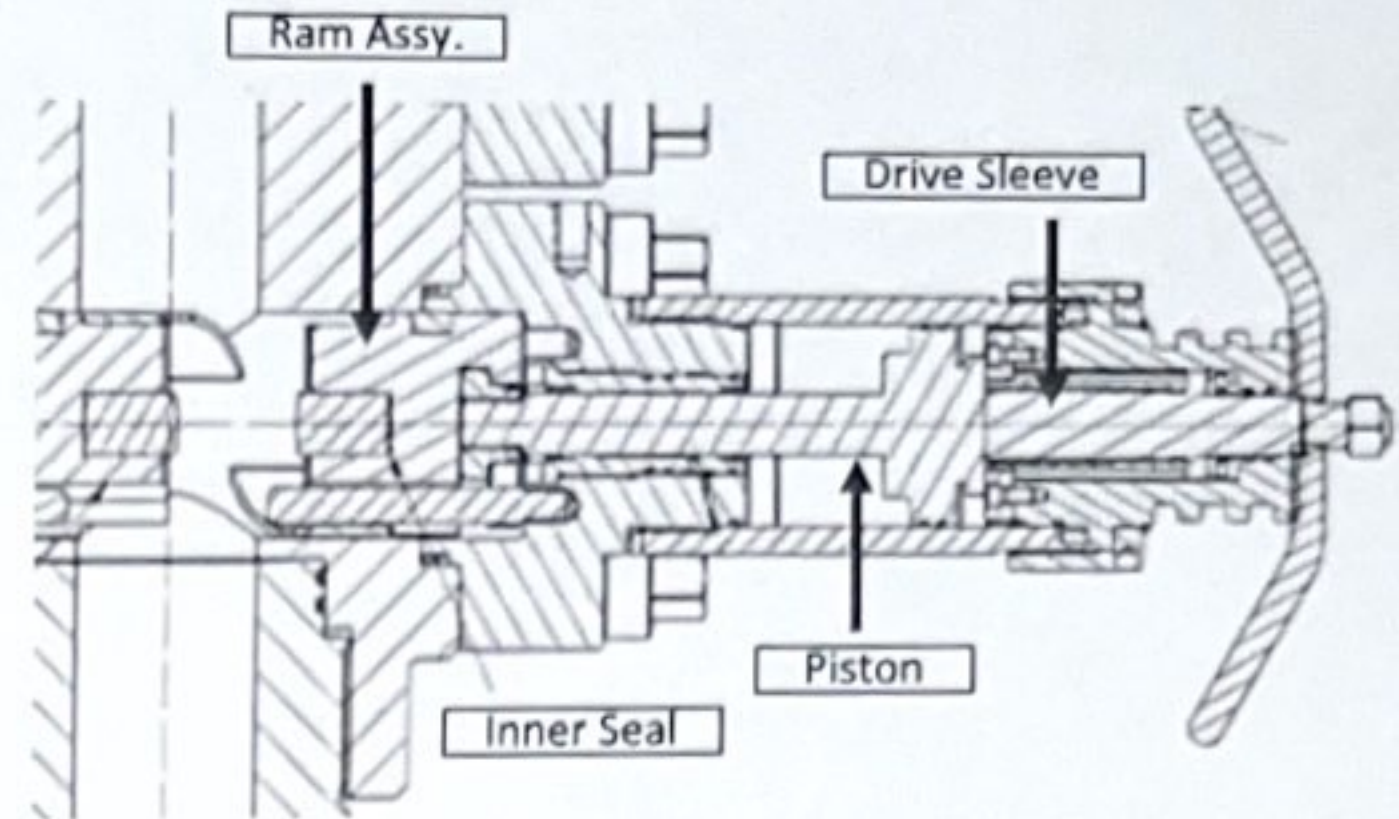
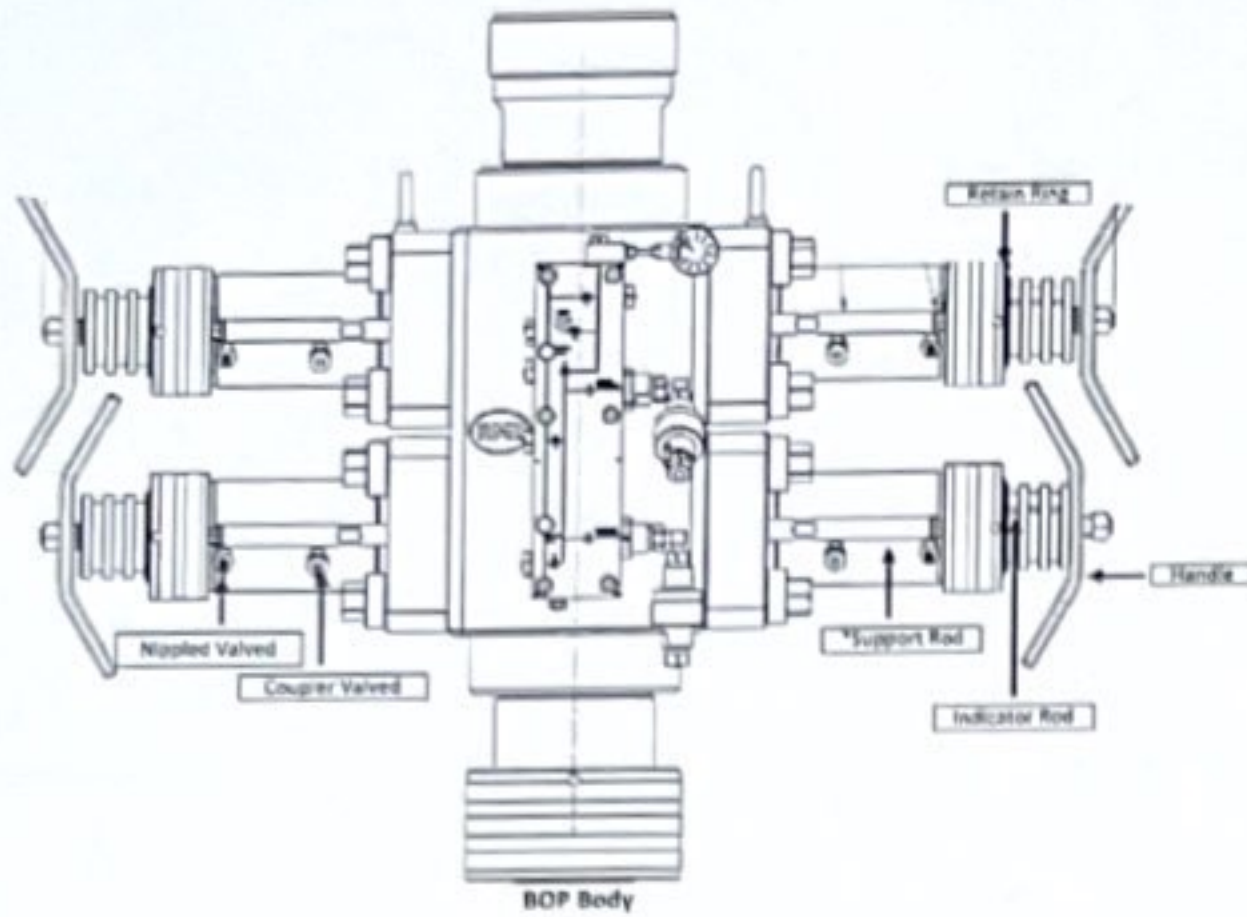
What is potential hazard during handling BOP

High pressure  
Back injury  
Horse burst

GAZALI MEHRY  
Operation Manager  
Dimension Bid (M) Sdn Bhd  
Labuan Warehouse  
Slickline Services

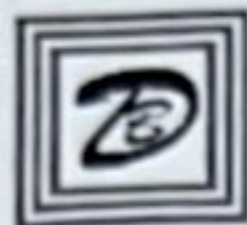
10/10/2018

**Draw & name each part of BOP**



*[Signature]*  
**GAZALI MEHRY**  
 Operation Manager  
 Dimension Bid (M) Sdn Bhd  
 Labuan Warehouse  
 Slickline Services

10/10/2018



#### B.4. X-MAS TREE

What is x-mas tree

Xmas tree is a series of valves installed on the wellhead to control the flow of fluids from the well. Located on top of wellhead.

What is the purpose of x-mas tree

Christmas trees are a vertical assembly of valves with gauges and chokes that allow for adjustments in flow control as well as injections to stimulate production

How to operate x-mas tree

The valves that comprise some of the decorations on the Christmas tree are opened when the oil or gas well is ready to produce and the processing and storage facilities are ready to receive.

What is maintenance required for x-mas tree

Inspect and replace any damaged component  
Clean X-mas tree and  
Do Critical Device Function Test (CDFT) on X-mas tree (check all valves)

What is safety precaution required for x-mas tree

Make a count during opening and closing the swab valve.  
Do not overtightened the valves during operation and closing.  
Never use master valve to shut in the flowing well, except in an emergency situation.  
(use swab or wing valve)

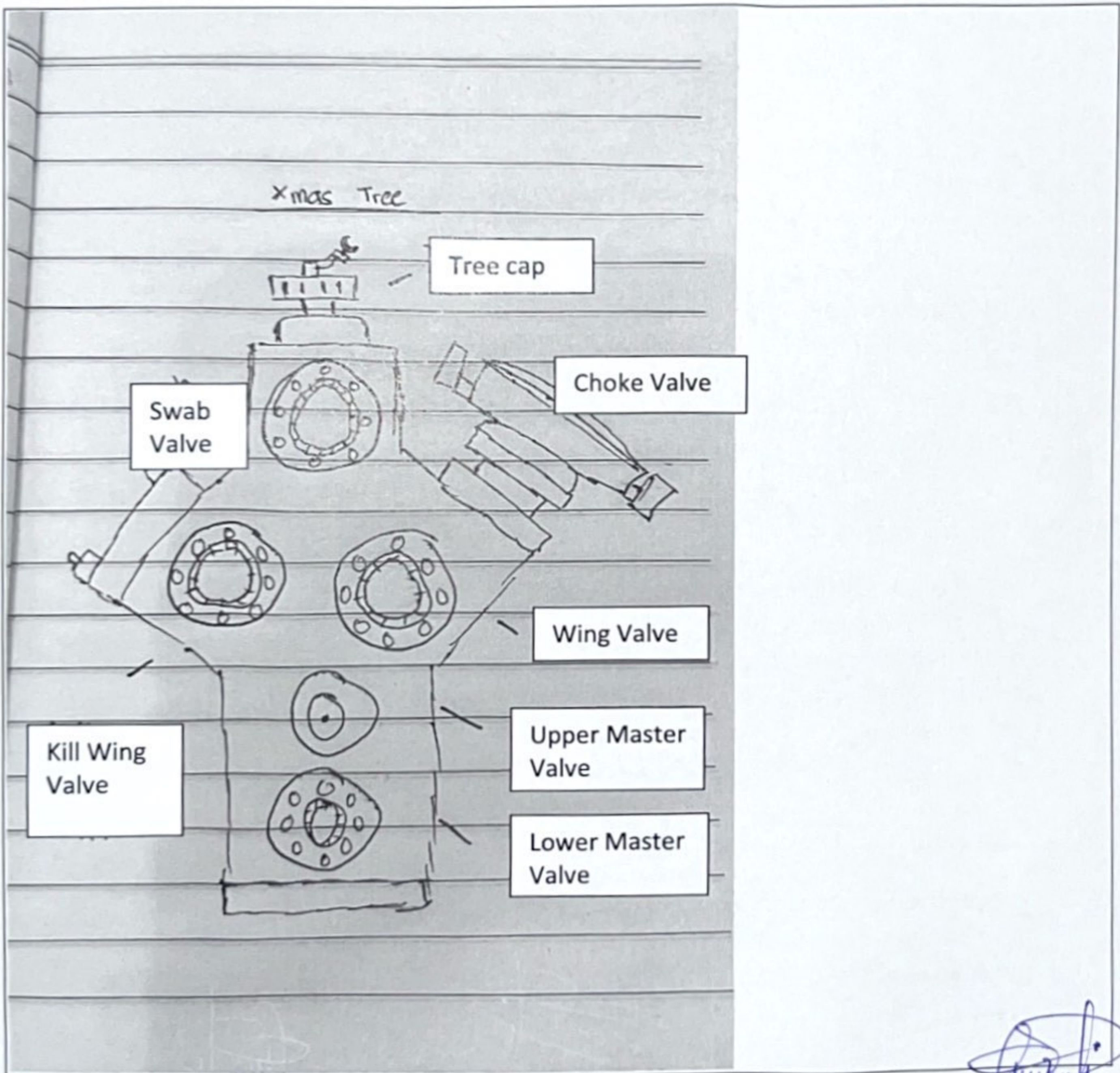
GAZALI MEHRY  
Operation Manager  
Dimension Bid (M) Sdn Bhd  
Labuan Warehouse  
Slickline Services



What is potential hazard during handling x-mas tree

- Pinch point
- High pressure
- Work under suspended load
- Line of fire

Draw & name each part of x-mas tree



*[Signature]*  
GAZALI MEHRY  
Operation Manager  
Dimension Bid (M) Sdn Bhd  
Labuan Warehouse  
Slickline Services  
*[Signature]*

**B.5. WIRELINE REEL SKID UNIT (RSU) / WINCH – SINGLE DRUM AND DOUBLE DRUM**

What is RSU

RSU also know as wireline unit or winch

What is the purpose of RSU

To turn the wire drum to lower and rise toolstring in the well that require wireline servicing

How to operate RSU


By using power pack and winch hydraulic system  
Transmission of hydraulic hole via hole between power pack / RSU

What is maintenance required for RSU

Check the hand brake system  
Ensure gear in a neutral position  
Check chain tension

What is safety precaution required for RSU

Be careful with the wire / rotating drum winch when running because it might break and may cause injury

  
**GAZAL MEHRY**  
Operation Manager  
Dimension Bid (M) Sdn Bhd  
Labuan Warehouse  
Slickline Services

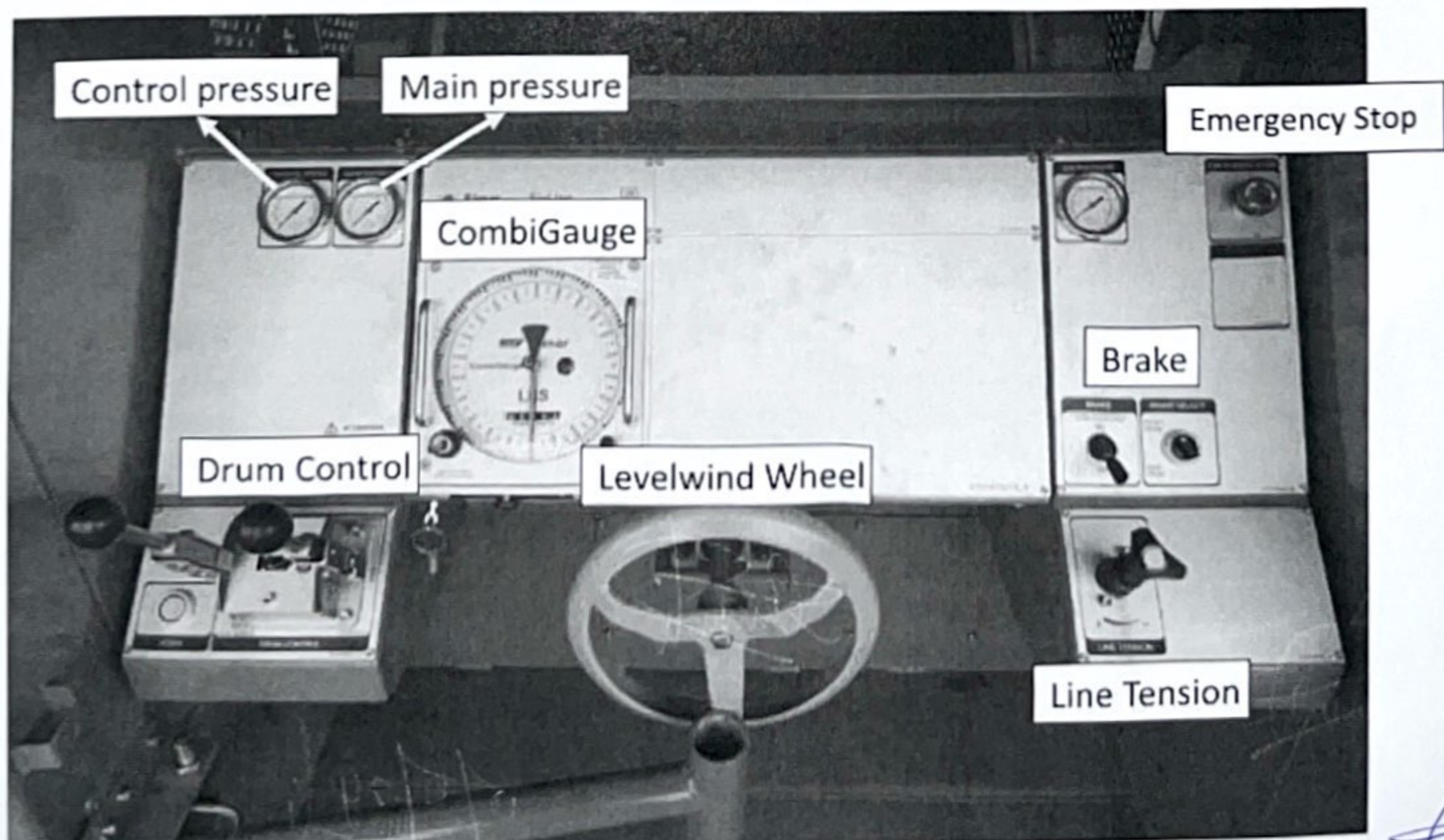
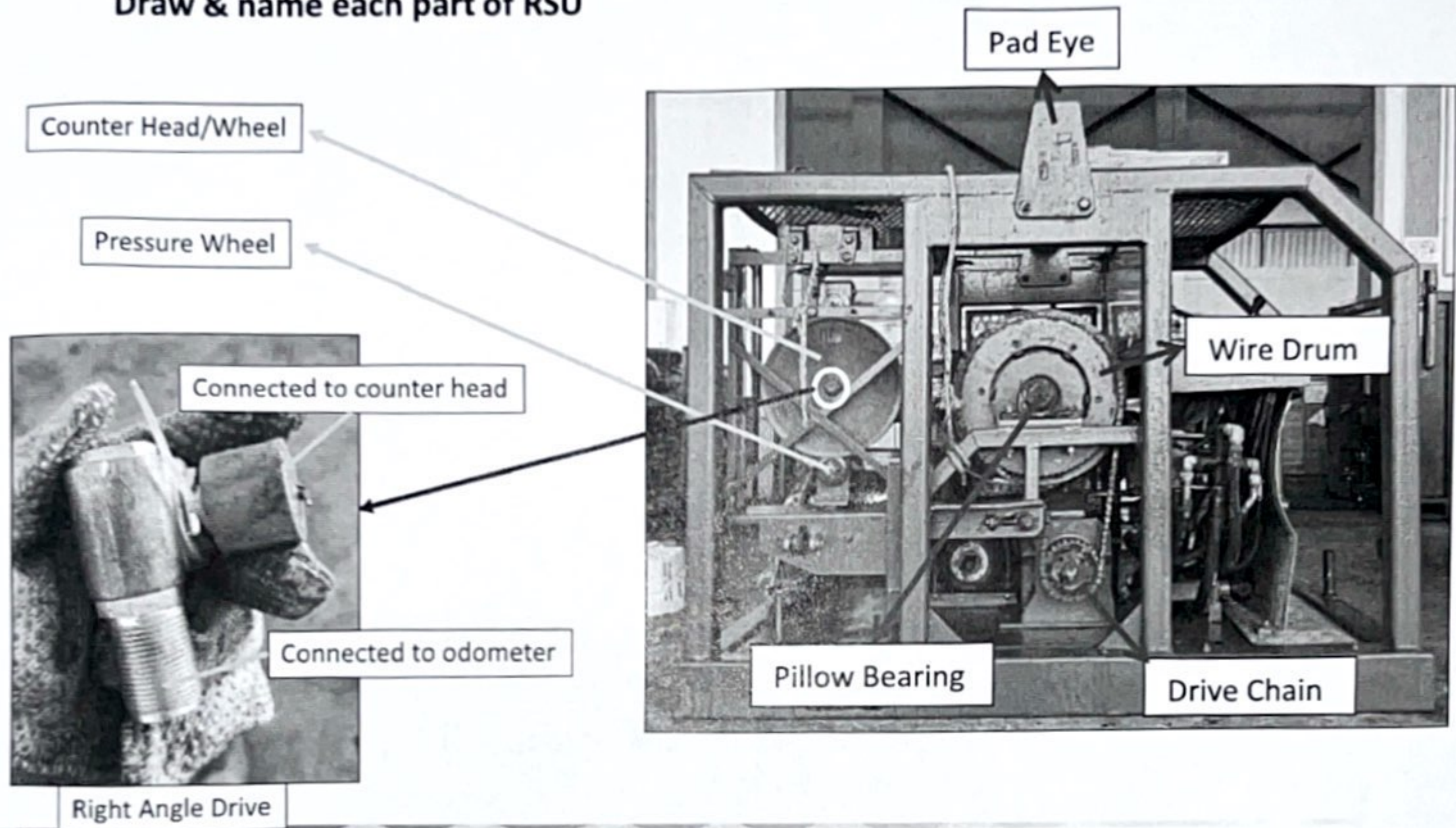
10/10/24



What is potential hazard during handling RSU

- Wire breaks off
- Pinch point
- Rotating drum winch

Draw & name each part of RSU



\*This typical control panel can be found on NOV Flyline.

*[Handwritten signature]*

**GAZALI MEHRY**  
Operation Manager  
Dimension Bid (M) Sdn Bhd  
Labuan Warehouse  
Slickline Services

*10/5/20*



**B.6. ODOMETER**

What is Odometer

Odometer also known as Depth Counter / Depth Measuring device

What is the purpose of Odometer

To indicate the depth of slickline toolstring hanging in a tubing string in feet or meters

How to operate Odometer

Prior to operation, this device should be manually set to zero and start reading from tubing hanger.  
Connect hose to right angle drive and put odometer to RSU for monitoring puposes.

What is maintenance required for Odometer

Check if counter head is free to rotate

**GAZALI MEHRY**  
Operation Manager  
Dimension Bid (M) Sdn Bhd  
Labuan Warehouse  
Slickline Services

10/10/24



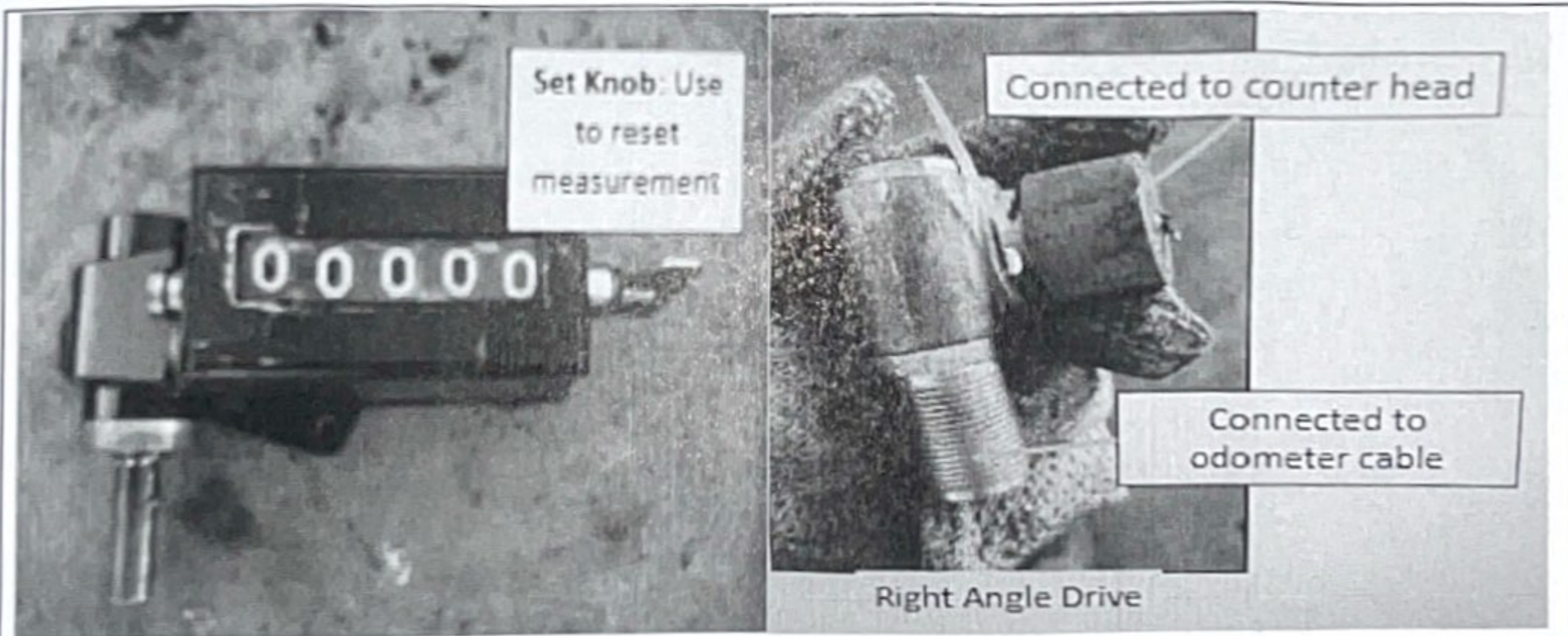
What is safety precaution required for Odometer

Wear appropriate PPE  
Calibrate odometer to 0

What is potential hazard during handling Odometer

Sharp edges  
Pinch point

Draw & name each part of Odometer



Odometer

Right Angle Drive

*GAZALI MEHRY*  
GAZALI MEHRY  
Operation Manager  
Dimension Bid (M) Sdn Bhd  
Labuan Warehouse  
Slickline Services

*10/10/2018*



**B.7. WEIGHT INDICATOR (2000 LBS AND 4000 LBS)**

What is Weight Indicator

Weight indicator is a device to measure weight of tools in tubing string. The device is connected to load cell using a rubber hose filled with hydraulic hose.

What is the purpose of Weight Indicator

To determine the total weight of tools hung in tubing string

How to operate Weight Indicator

The weight indicator (located at RSU) is connected to the load cell using a rubber hose filled with hydraulic oil. Load cell is attached to heavy-duty hose carries the pressure generated to the weight indicator gauge calibrated in lbs.

It is using hydraulic system

What is maintenance required for Weight Indicator

It is necessary to completely flush and re-charge the unit at least once per month. Having recharged the unit, a specific gap should be set between load plate and load cell retaining ring.


- Check for leaks around the hose and priming check valve assembly.
- If additional "W-15" fluid is required, fill through the small port on the upper side of the gauge housing.

What is safety precaution required for Weight Indicator

Do not crash the hose

Secure guage and fittings because the load cell is made of aluminum alloy and reasonably strong rough handling can damage it.

**GAZALI MEHRY**  
Operation Manager  
Dimension Bid (M) Sdn Bhd  
Labuan Warehouse  
Slickline Services

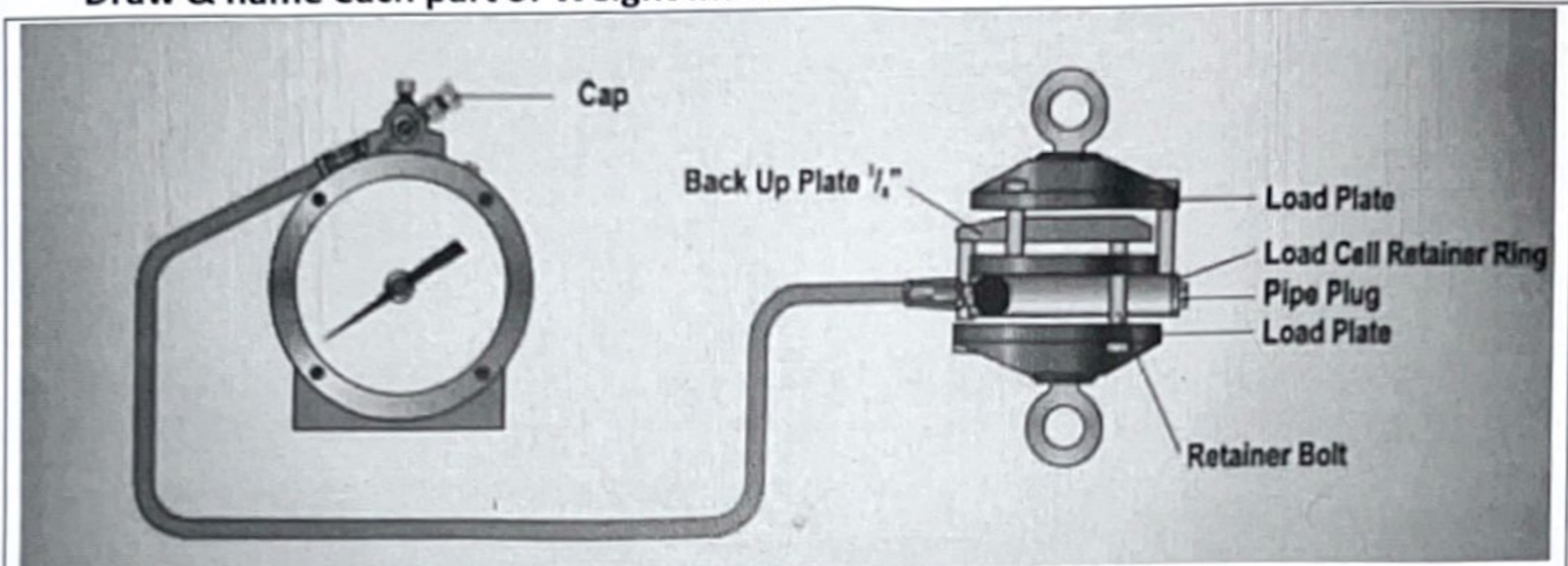
  
10/5/24



What is potential hazard during handling Weight Indicator

Drop object  
If not give attention to weight indicator during operation, might be resulted tension and will cause wireline to break.

Draw & name each part of Weight Indicator



  
GAZALI MEHRY  
Operation Manager  
Dimension Bid (M) Sdn Bhd  
Labuan Warehouse  
Slickline Services

10/5/24

### B.8. SPOOLING DEVICE

What is Spooling Device

Generally, one configured with removable drum that allow transport spools to be inserted, allowing the new string to be spooled into reel

What is the purpose of Spooling Device

To hold the reel drum during spooling process  
Control the tension of the line as it is spooled

How to operate Spooling Device

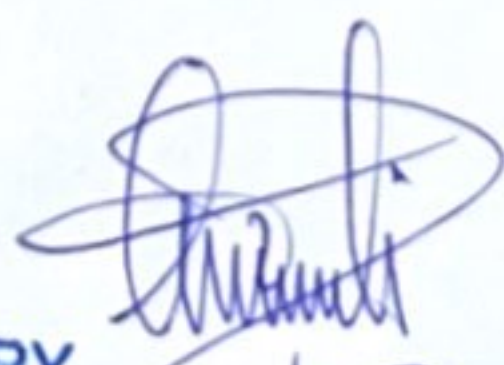
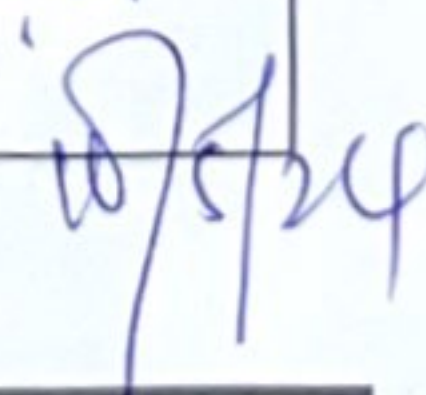
Assemble the reel. The setup is almost the same with normal operation, which weight indicator and hay pulley are needed  
Brake level will help to control the line tension.

What is maintenance required for Spooling Device

Brake maintenance  
Always check the hydraulic system

What is safety precaution required for Spooling Device

Make sure to check the glass in good condition before start the job  
Bolts and nuts (shaft) are in good condition

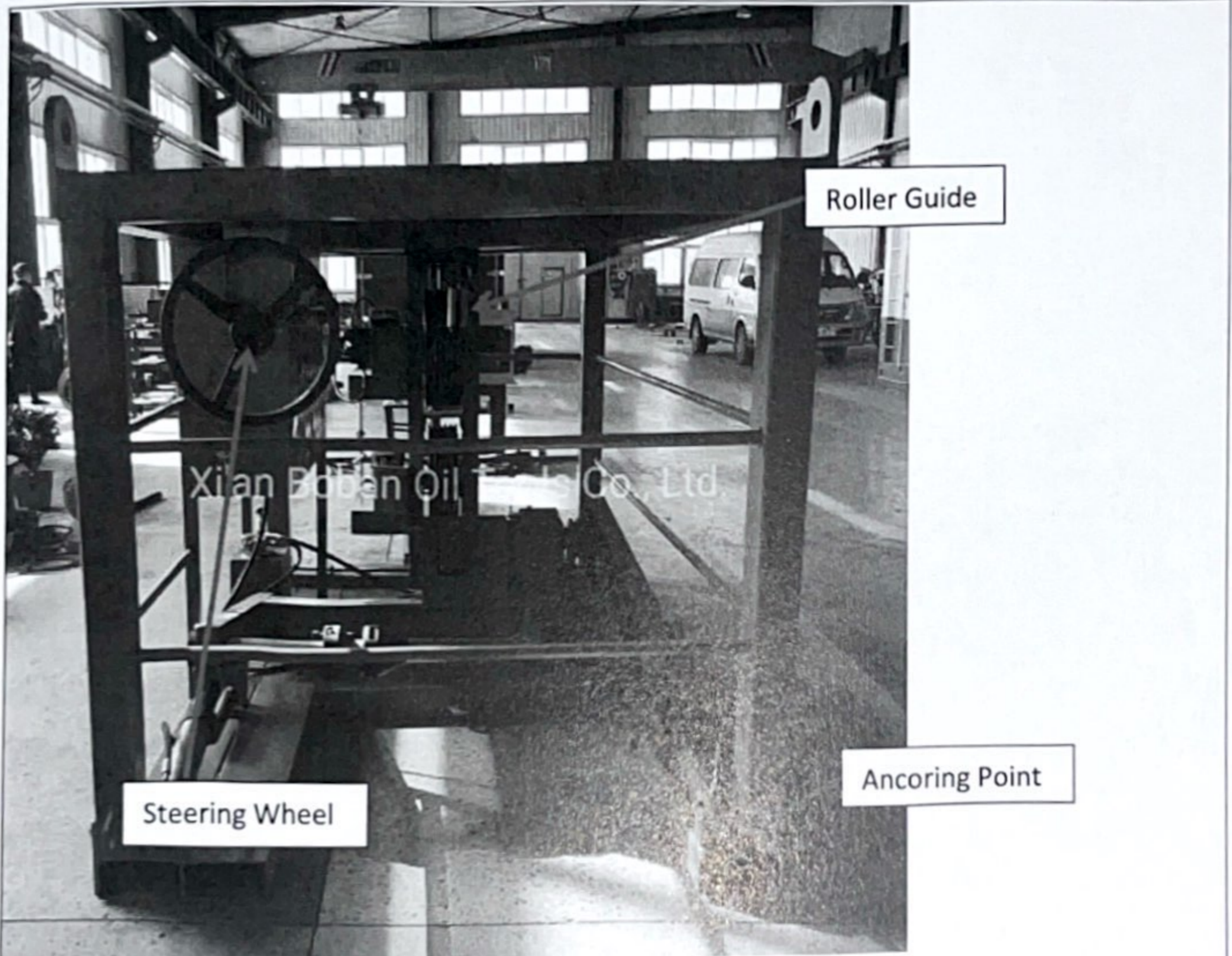
  
**GAZALI MEHRY**  
Operational manager  
Dimension (M) Sdn Bhd  
Labuan Warehouse  
Slickline services  





What is potential hazard during handling Spooling Device

Pinch point  
Rotating device

Draw & name each part of Spooling Device



  
**GAZALI MEHRY**  
Operation Manager  
Dimension Bid (M) Sdn Bhd  
Labuan Warehouse  
Slickline Services  
10/5/2018



### B.9. CONTROL PANEL

What is Control Panel

Control panel are used to operate a number of valves normally operated in slickline operations.

What is the purpose of Control Panel

To operate BOP rams and provide a high pressure oil output from a low pressure air or gas input.

How to operate Control Panel

Connect the control line to the equipment  
Open air supply, use regulator to control pump out pressurized the line.

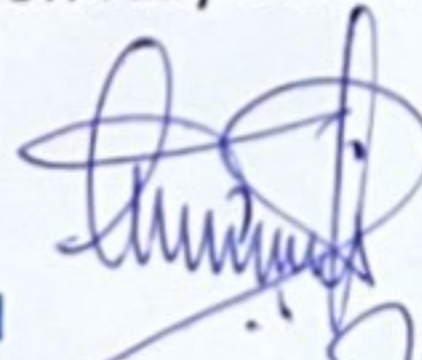
What is maintenance required for Control Panel

Check the fluid level of hydraulic oil  
Check the hydraulic hoses for any sign of leakage or damage.

What is safety precaution required for Control Panel

Do not tighten or loose the connection when under pressure  
Beware of trapped pressure by bleed off fully before open connection

GAZALI MEHRY  
Operation Manager  
Dimension Bid (M) Sdn Bhd  
Labuan Warehouse  
Slickline Services

  
17/5/24



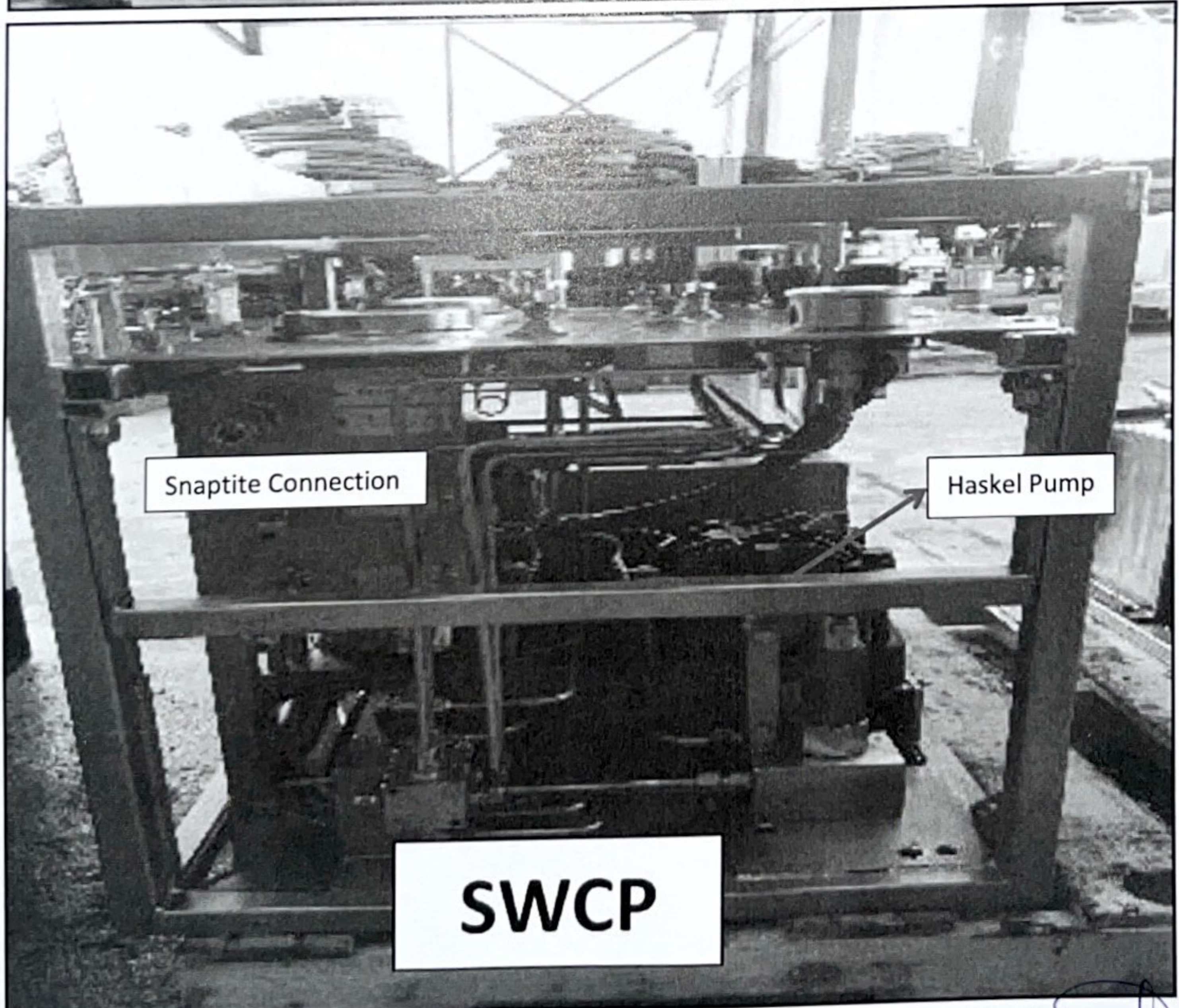
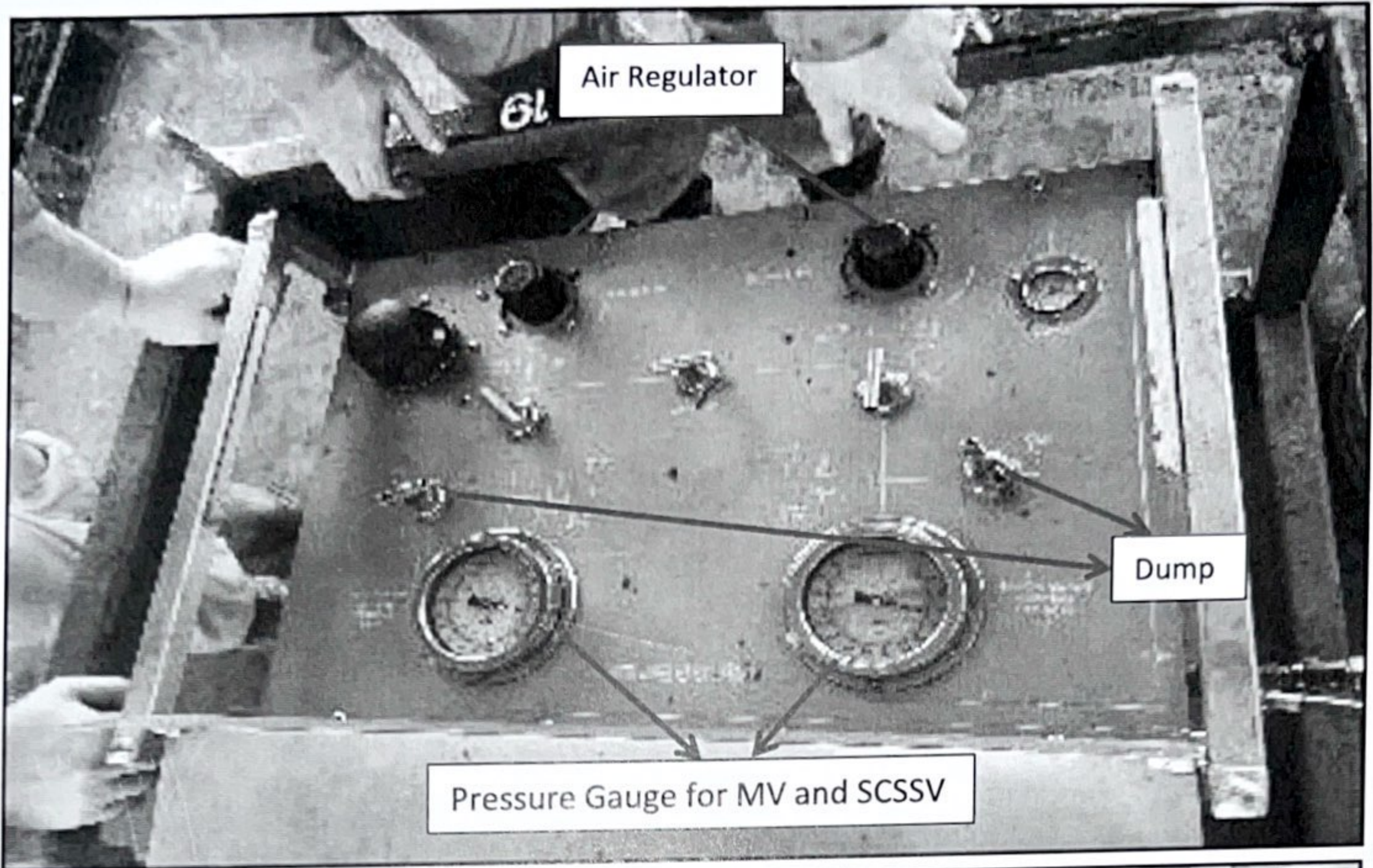
What is potential hazard during handling Control Panel

Connection loosens  
Hose burst by high pressure

Draw & name each part of Control Panel

GAZALI MEHRY  
Operation Manager  
Dimension Bid (M) Sdn Bhd  
Labuan Warehouse  
Slickline Services

10/5/24



*[Handwritten signature]*  
*[Handwritten initials]*



**B.10. HUSKEL DRUM**

What is Huskel Drum

Is an air driver pump

What is the purpose of Huskel Drum

To drive the hydraulic or water in control panel or test pump

How to operate Huskel Drum

Operate from the knob or regulator of the panel

What is maintenance required for Huskel Drum

Check the condition of the O-ring  
Service haskel pump  
Hydraulic check valve and liquid seal repair

What is safety precaution required for Huskel Drum

Check O-ring condition  
Make sure connection tubing is in good condition

  
**GAZALI MEHRY**  
Operation Manager  
Dimension Bid (M) Sdn Bhd  
Labuan Warehouse  
Slickline Services

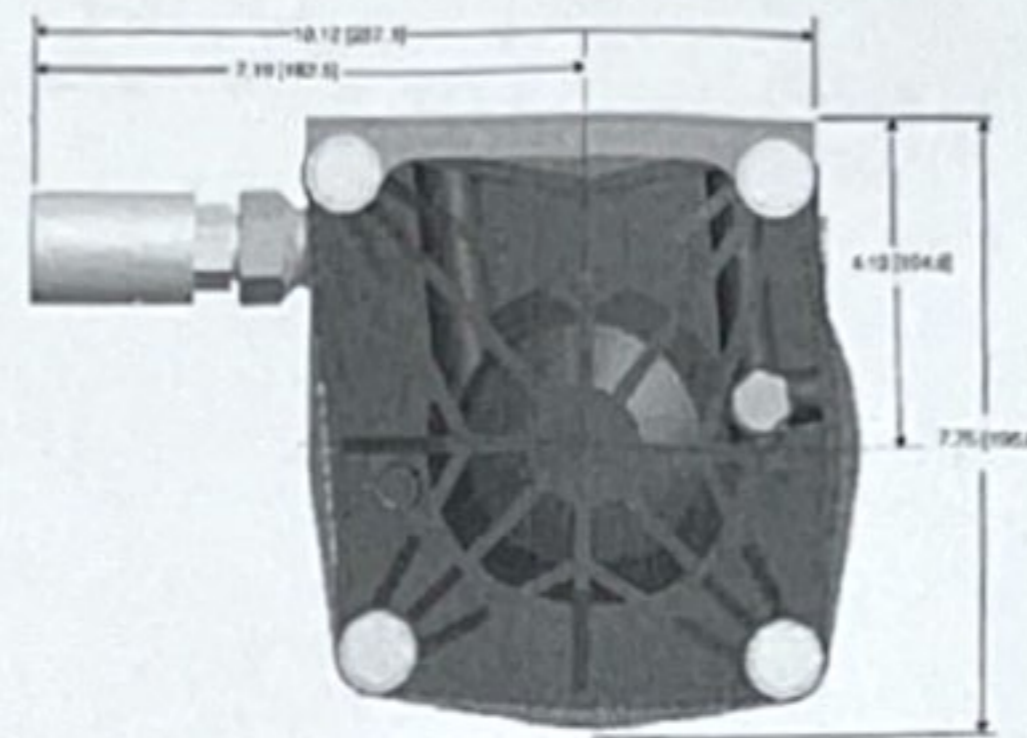
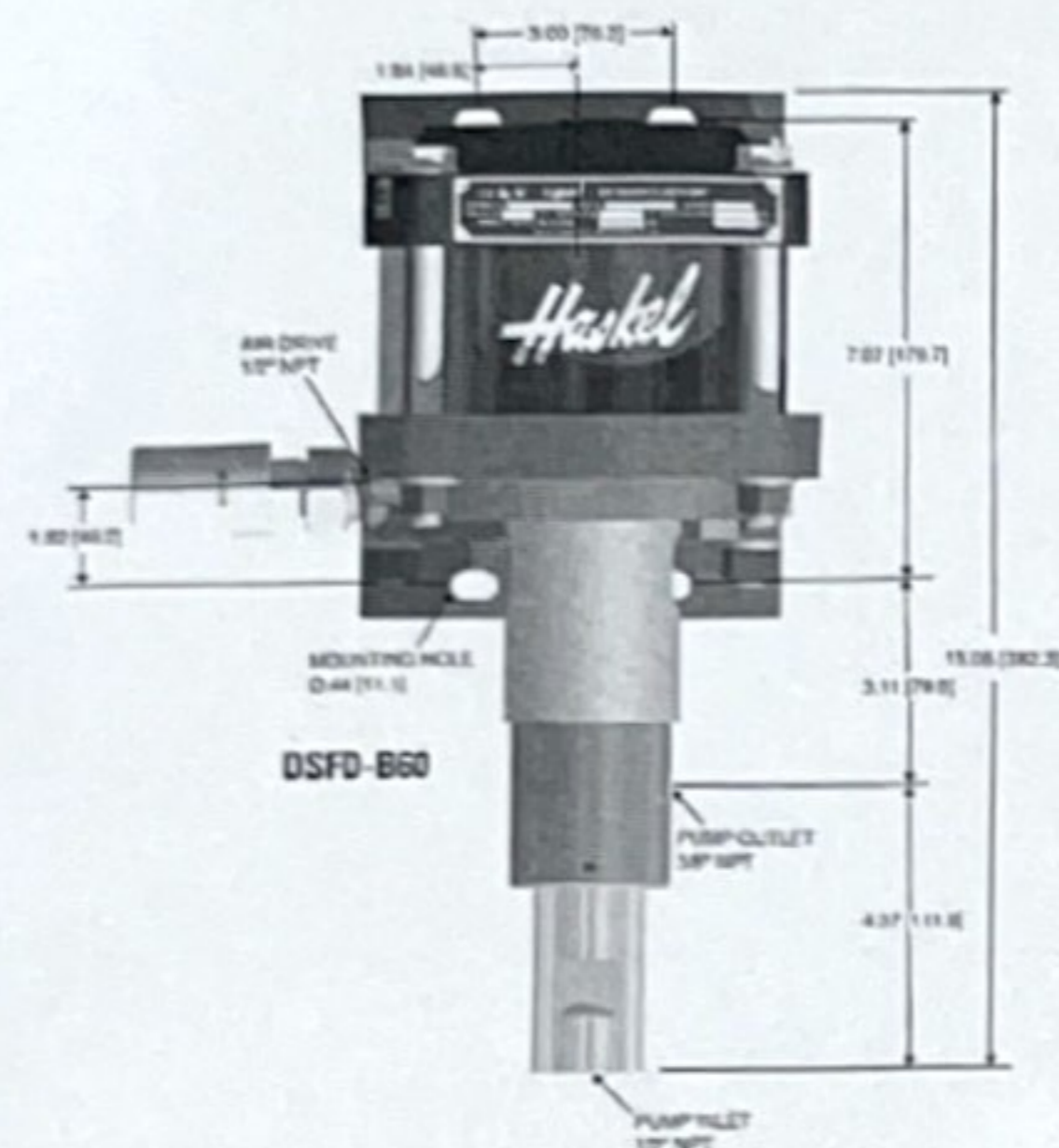
10/5/2018

What is potential hazard during handling Huskel Drum

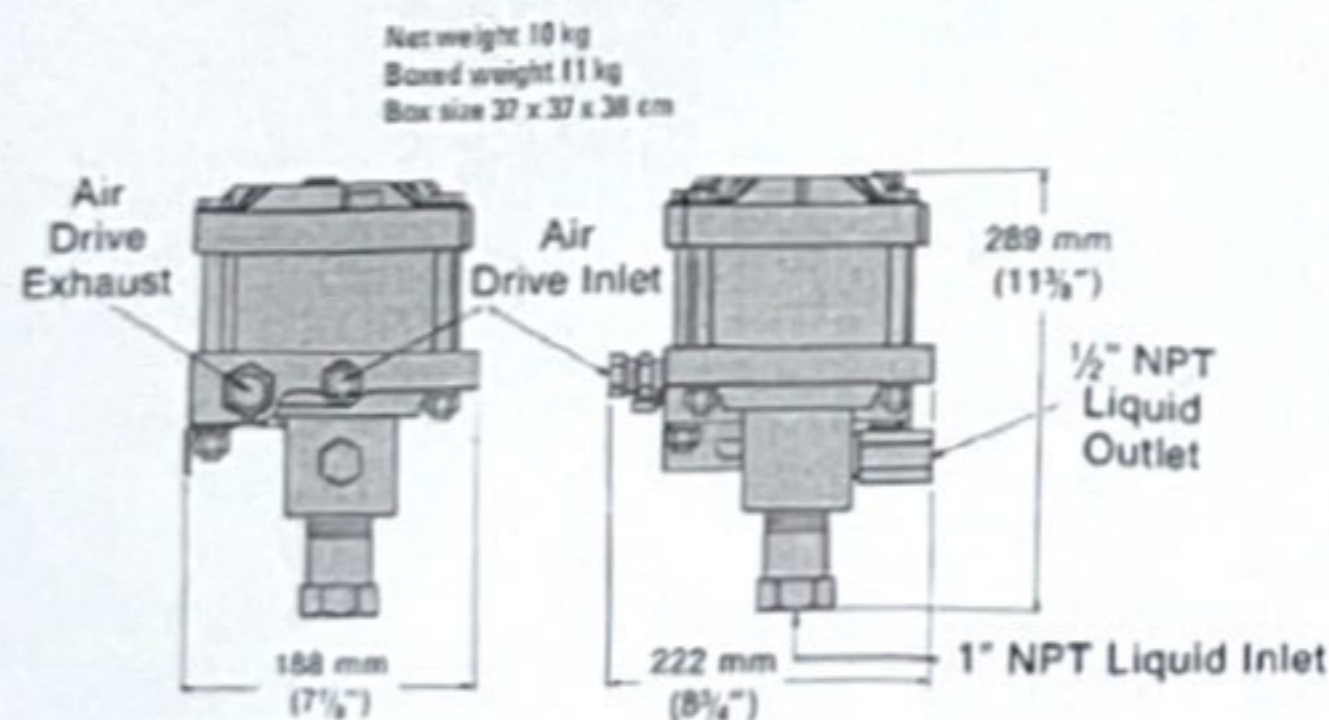
Pinch point  
Tubing burst

Draw & name each part of Huskel Drum

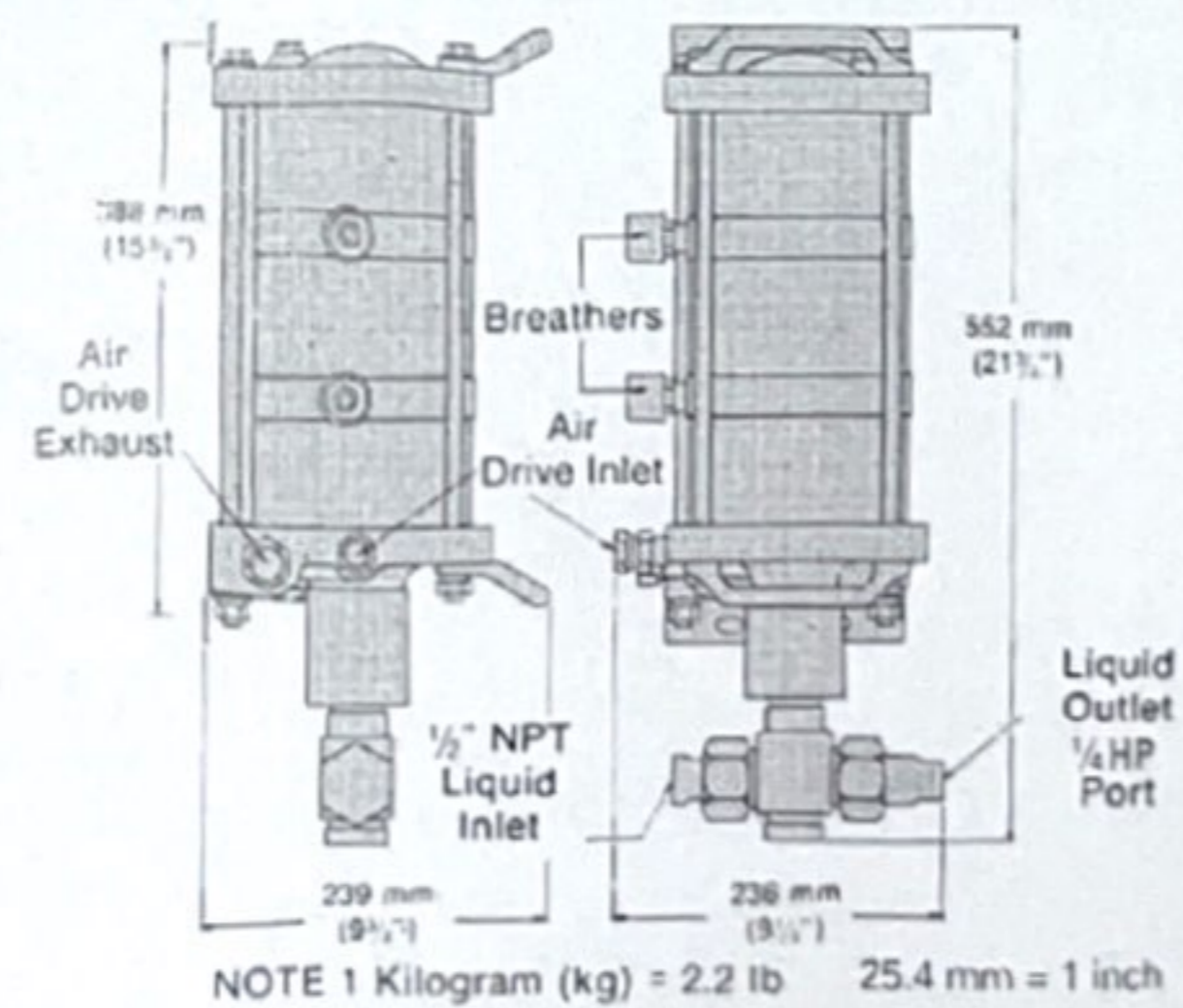
1.5 hp, 2 & 2.2 hp (1.12, 1.49 & 1.64 kW) Pump Models



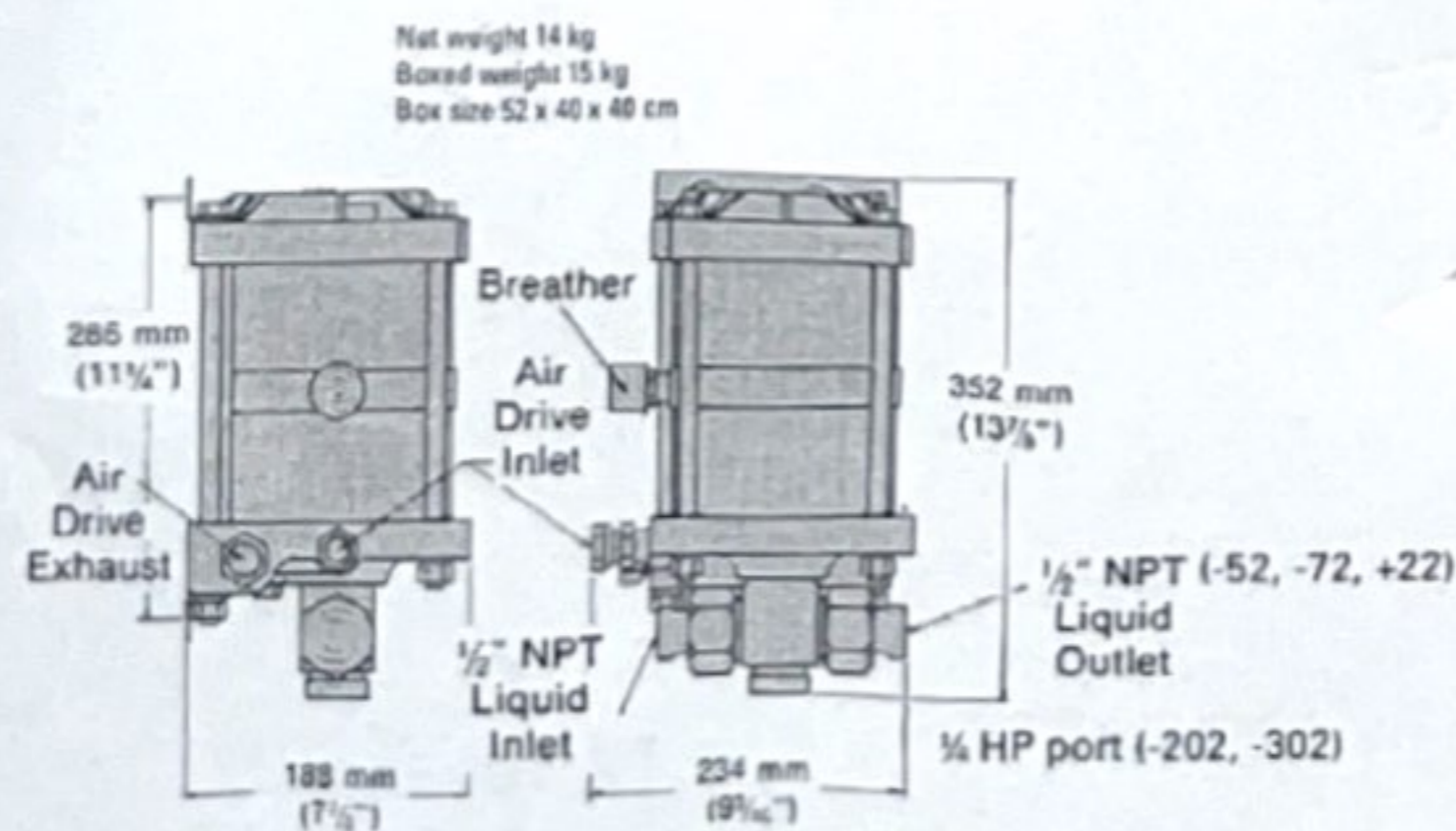
Net weight 18 kg  
Boxed weight 20 kg  
Box size 88 x 42 x 50 cm



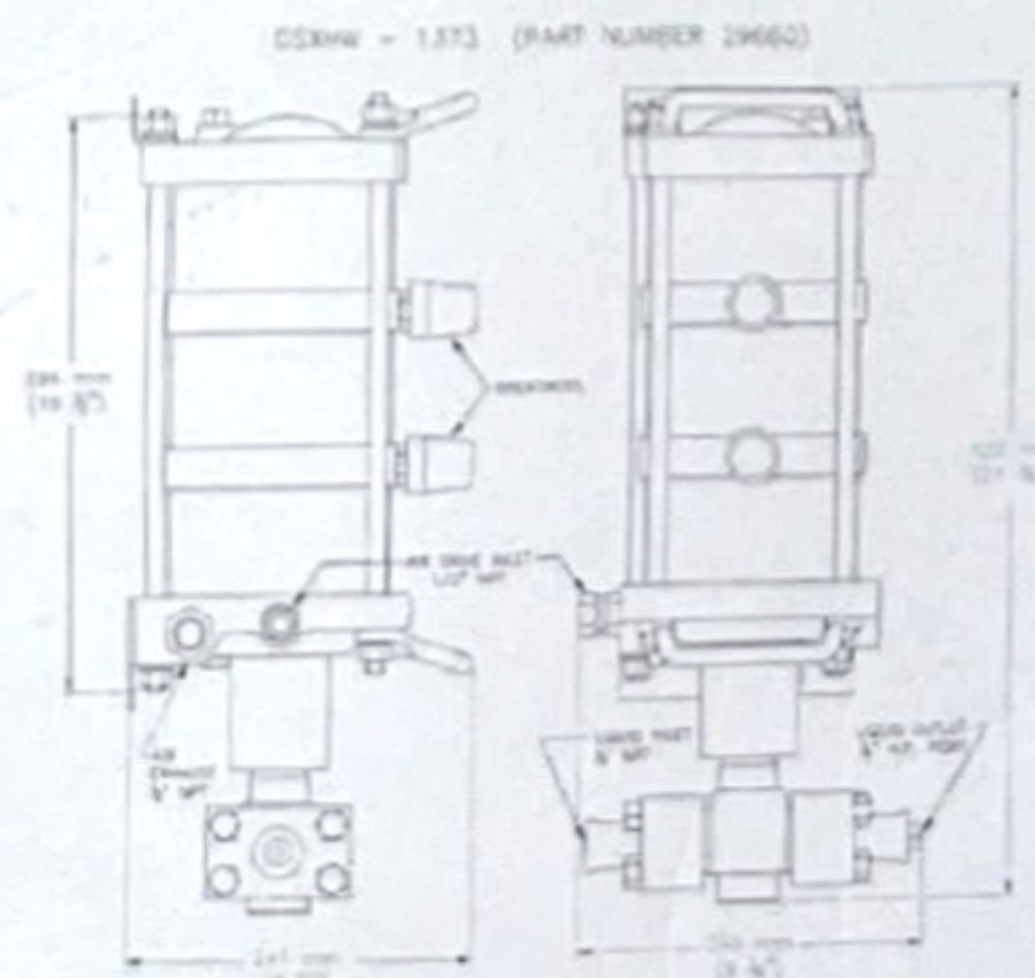
1.5 and 2 hp low ratio pumps;  
-B10 and -B15 ratios



2 hp high ratio pumps;  
-683 and -903 ratios



1.5 and 2 hp medium ratio pumps;  
-52, -72, -122, -202 and -302 ratios



2 hp (1.49 & 1.64 kW) Pump Models;  
-1373 ratio

*(Handwritten signature)*  
10/5/24



**B.11. POWER PACK (ELECTRICAL & DIESEL)**

What is Power Pack

Power pack is a single piece configuration, skid mounted with integral crash frame, constructed in carbon steel with single point lifting

What is the purpose of Power Pack

To supply driving hydraulic power to equipment (Mast and RSU)

How to operate Power Pack

By operating several valves, adjust speed, power and rotation of drum

What is maintenance required for Power Pack

Check oil level  
Check water level  
Check diesel level  
Check condition of belting  
Check any leaking

What is safety precaution required for Power Pack

Wear appropriate PPE when changing hydraulic oil/ engine oil  
Beware of rotating fan when engine is running  
Do not open radiator cap while power pack is still running

**GAZALI MEHRY**  
Operation Manager  
Dimension Bid (M) Sdn Bhd  
Labuan Warehouse  
Slickline Services

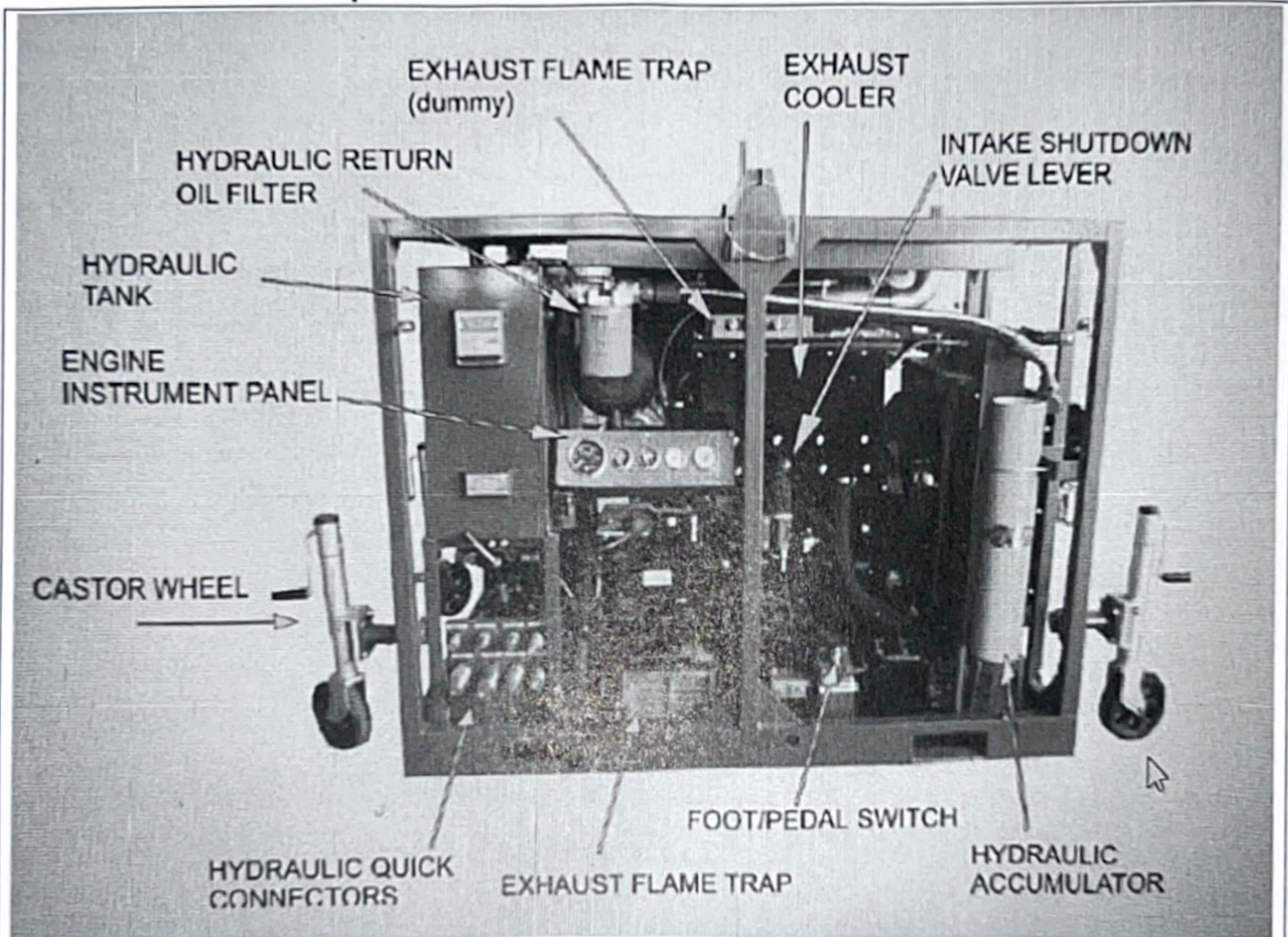
10/5/24



What is potential hazard during handling Power Pack

Hose burst  
Hand injury  
Rotating fan

Draw & name each part of Power Pack



**GAZALI MEHRY**  
Operation Manager  
Dimension Bid (M) Sdn Bhd  
Labuan Warehouse  
Slickline Services

10/5/24



**B.12. AIR COMPRESSOR**

What is Air Compressor

Air compressor is an open loop hydraulic system unit which is used to supply compressed air to Control Panels when there is no supply on site

What is the purpose of Air Compressor

To supply compressed air for control panel, test pump and air stater engine

How to operate Air Compressor

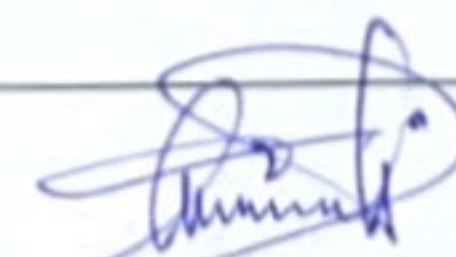
Starting procedure is almost the same with power pack. The air compressor usually use spring starter. To crank the starter, rotate the shaft clockwise until indicator turn red. Replace spring to start the engine

What is maintenance required for Air Compressor

Change filters  
Change oil compressor  
Check fan belting condition

What is safety precaution required for Air Compressor

Make sure all hoses connection no leaking  
Make sure fan is covered

  
GAZALI MEHRY  
Operation Manager  
Dimension Bid (M) Sdn Bhd  
Labuan Warehouse  
Slickline Services

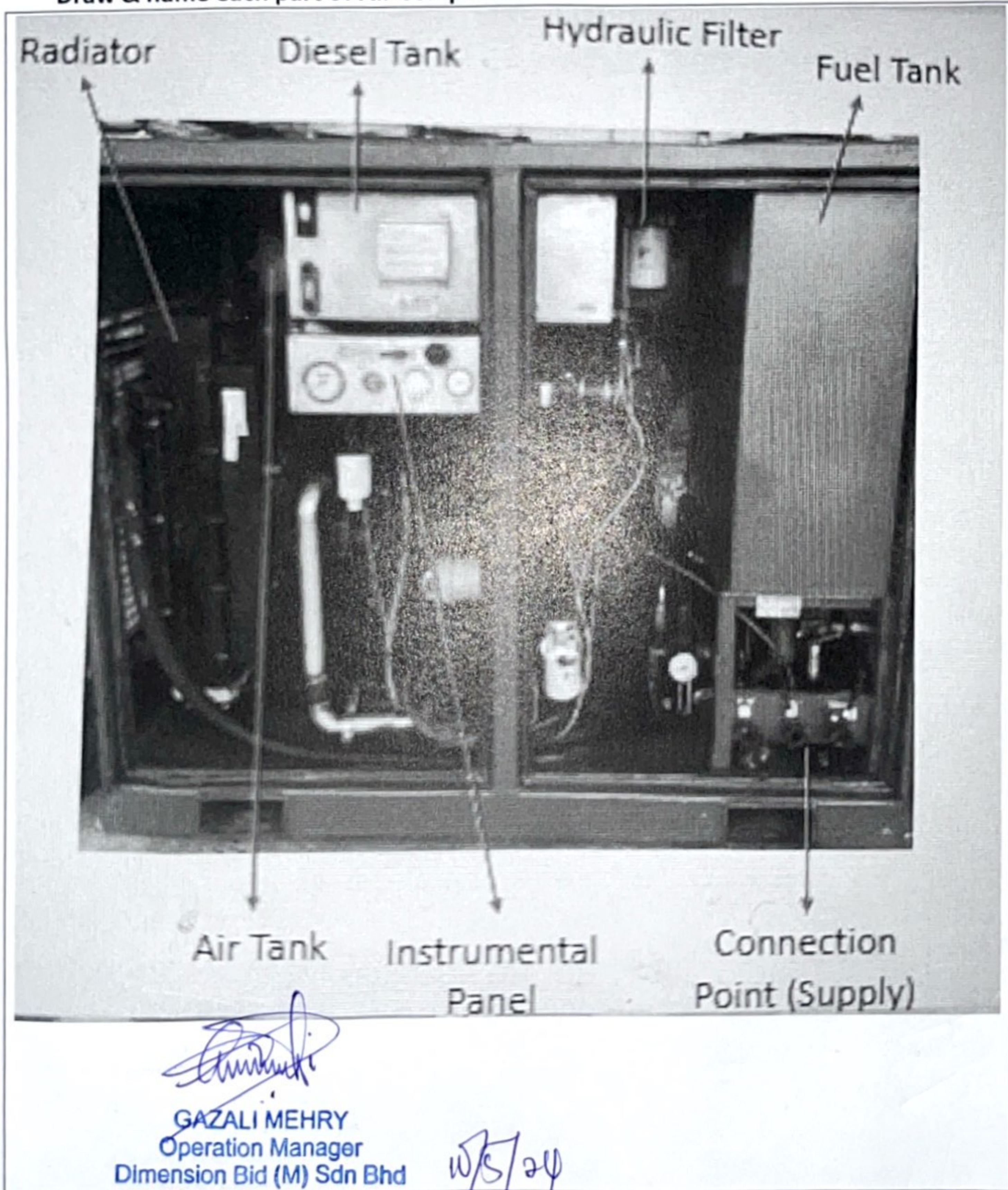
15/5/20



What is potential hazard during handling Air Compressor

Hose burst  
Pinch point  
Hot surface

Draw & name each part of Air Compressor

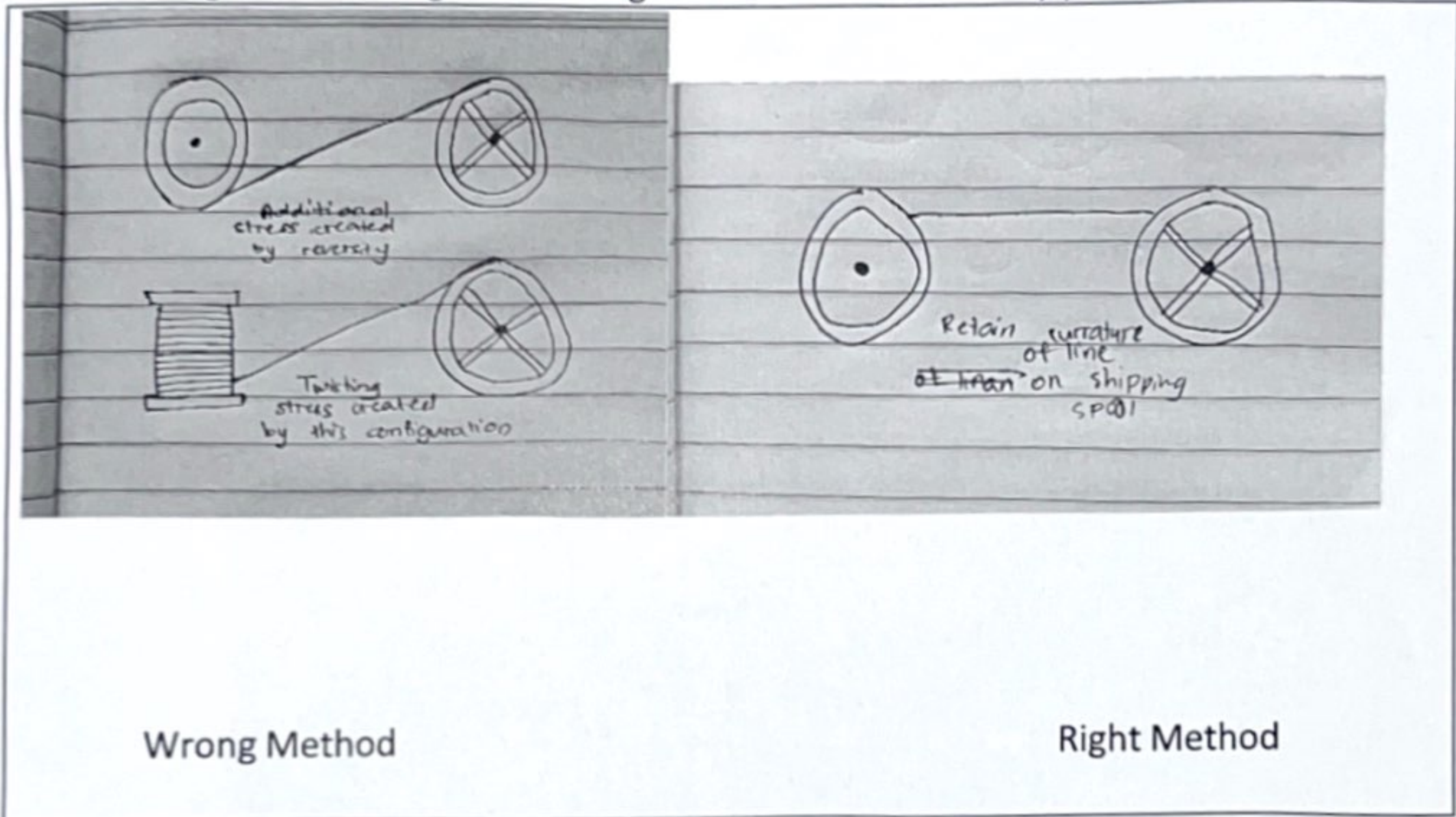


**B.13. DRUM**

What is the purpose of Drum

To spool the wireline wire

Draw the right and wrong wire arrangement from drum to hay pulley



What is maintenance required for Drum

Make sure to service and always check the drum bearing, change if there have any broken or damage

What is safety precaution required for Drum

Use tag line or push pull stick  
Make sure using the safety glasses and appropriate PPE

*[Signature]*  
**GAZALI MERRY**  
Operation Manager  
Dimension Bid (M) Sdn Bhd  
Labuan Warehouse  
Slickline Services

7/5/24

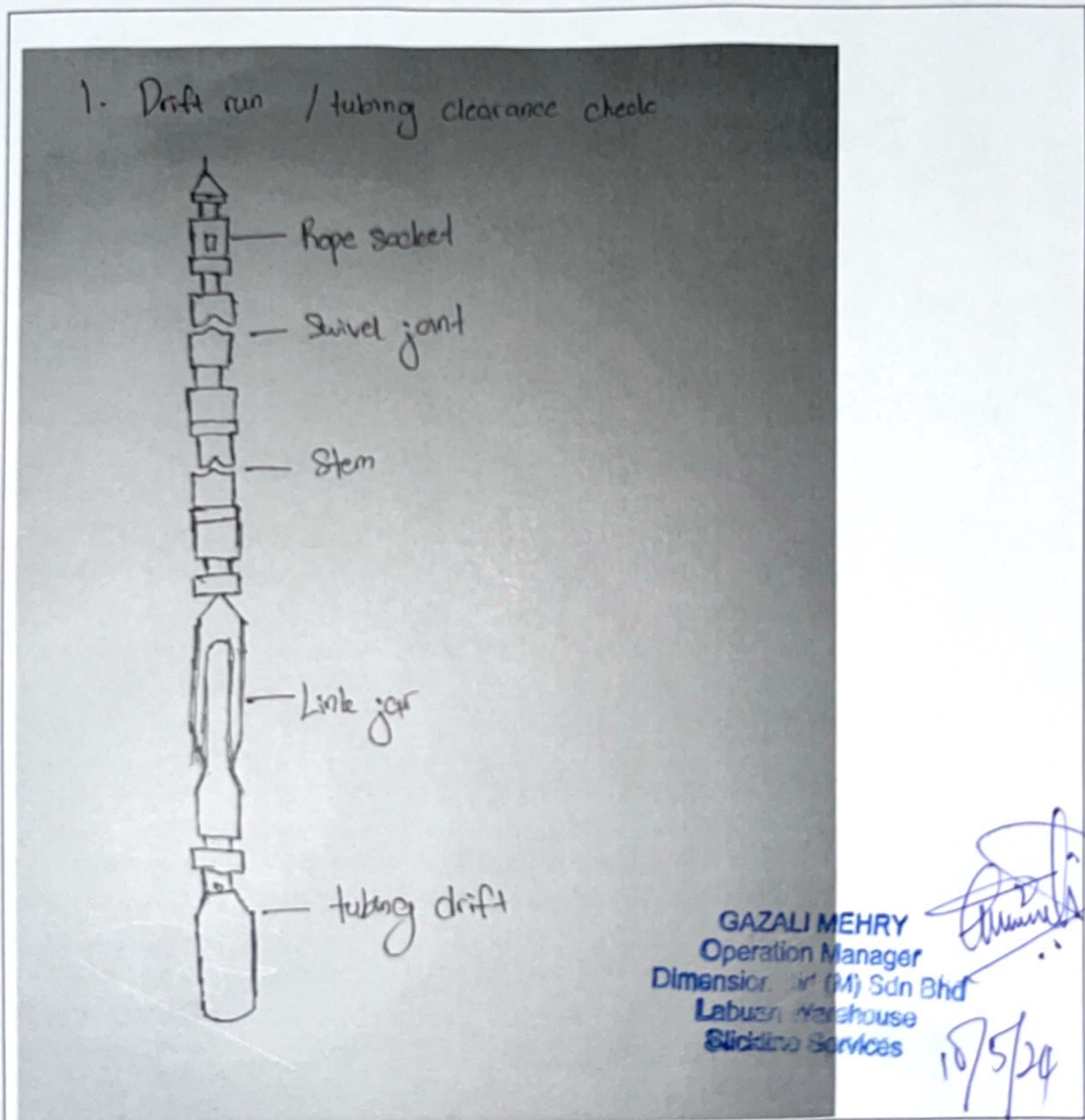


What is potential hazard during handling Drum

Rotating device  
Pinch point  
Back injury

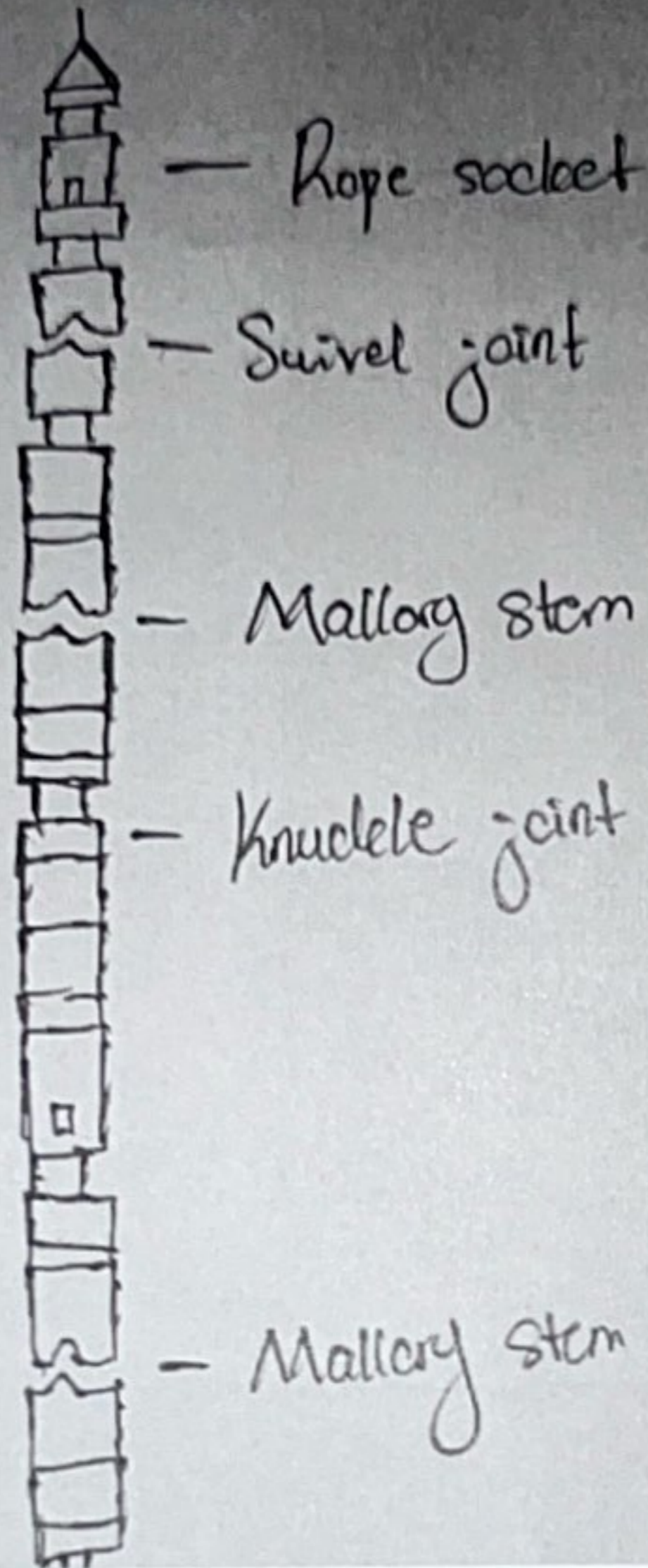
Please draw/sketch the toolstring configuration for:

- 1) Drift run/tubing clearance check
- 2) Sinker bar run
- 3) Set and retrieve plug
- 4) Set and retrieve insert valve





2. Sinker bar run

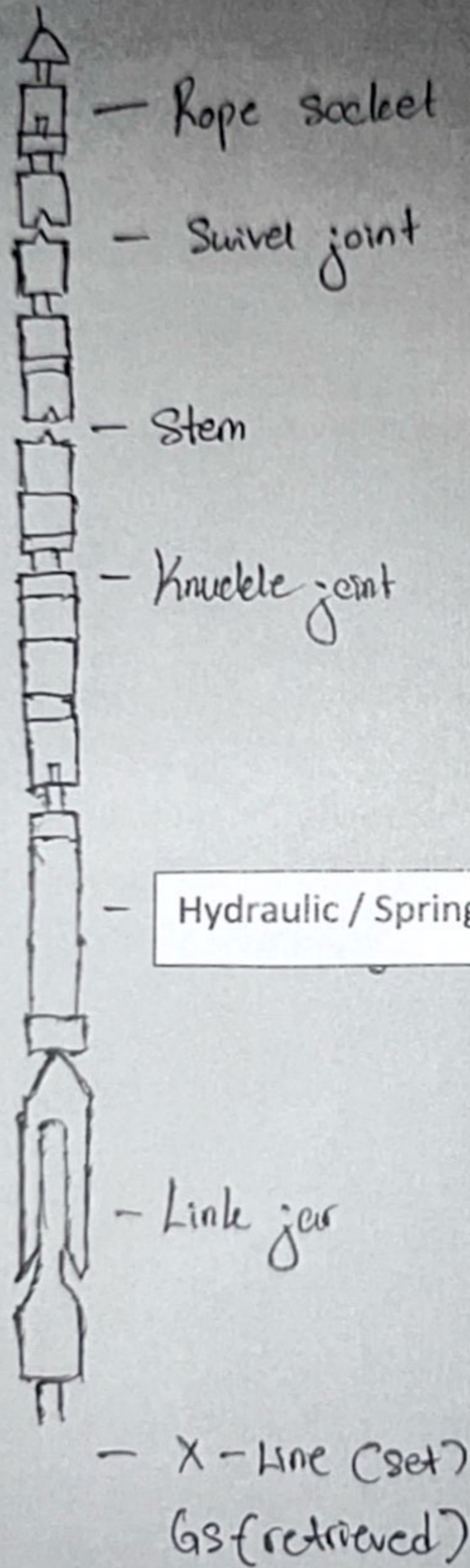


GAZALI MEHRY  
Operation Manager  
Dimension Bid (M) Sdn Bhd  
Labuan Warehouse  
Slickline Services

10/5/24



3. Set / Retrieve plug

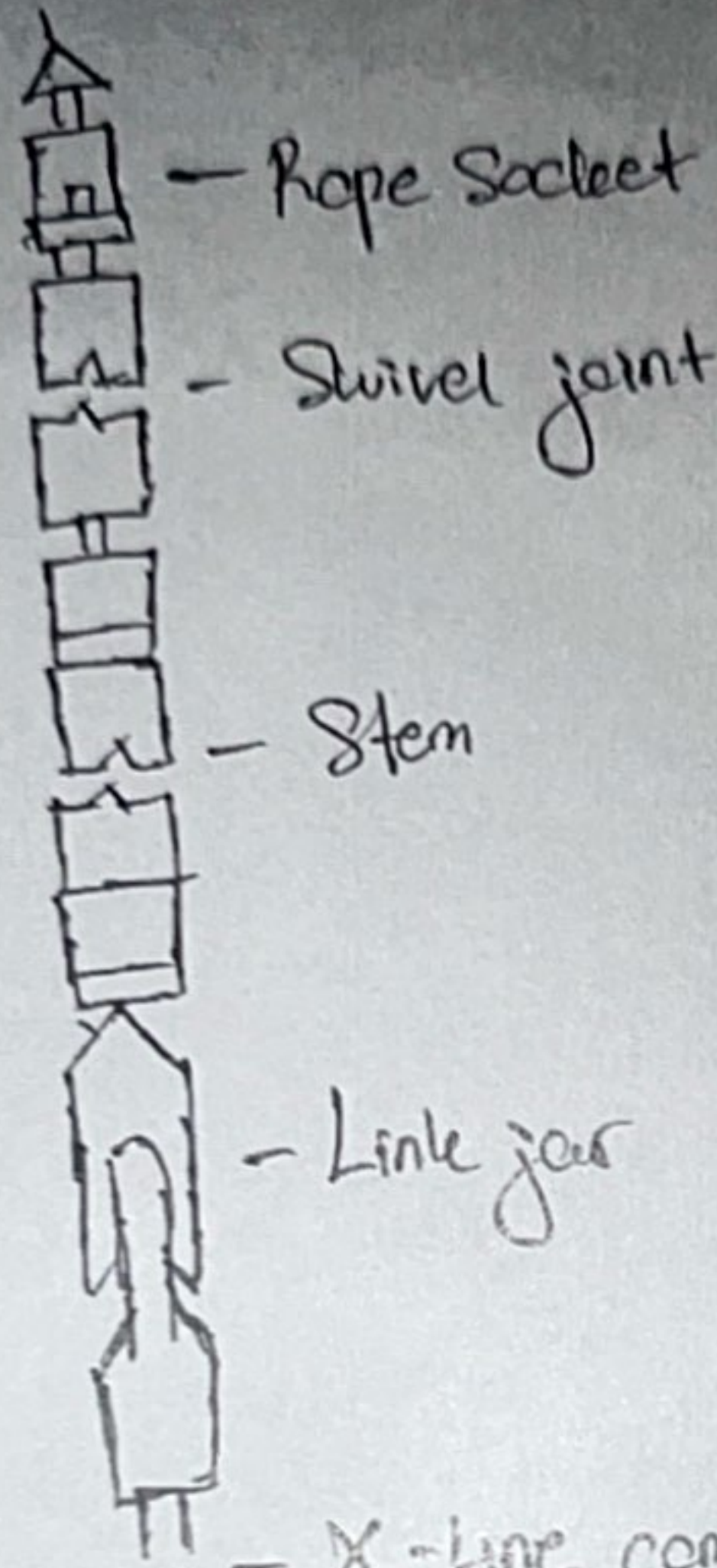


**GAZALI MEHRY**  
Operation Manager  
Dimension Bid (M) Sdn Bhd  
Labuan Warehouse  
Skeline Services

10/5/24



4. Set / Retrieve Insert valve



- X-line come with prong (set)  
G&S come with prong (retrieved)

  
**GAZALI MEHRY**  
Operation Manager  
Dimension Bid (M) Sdn Bhd  
Labuan Warehouse  
Slickline Services

10/10/2018