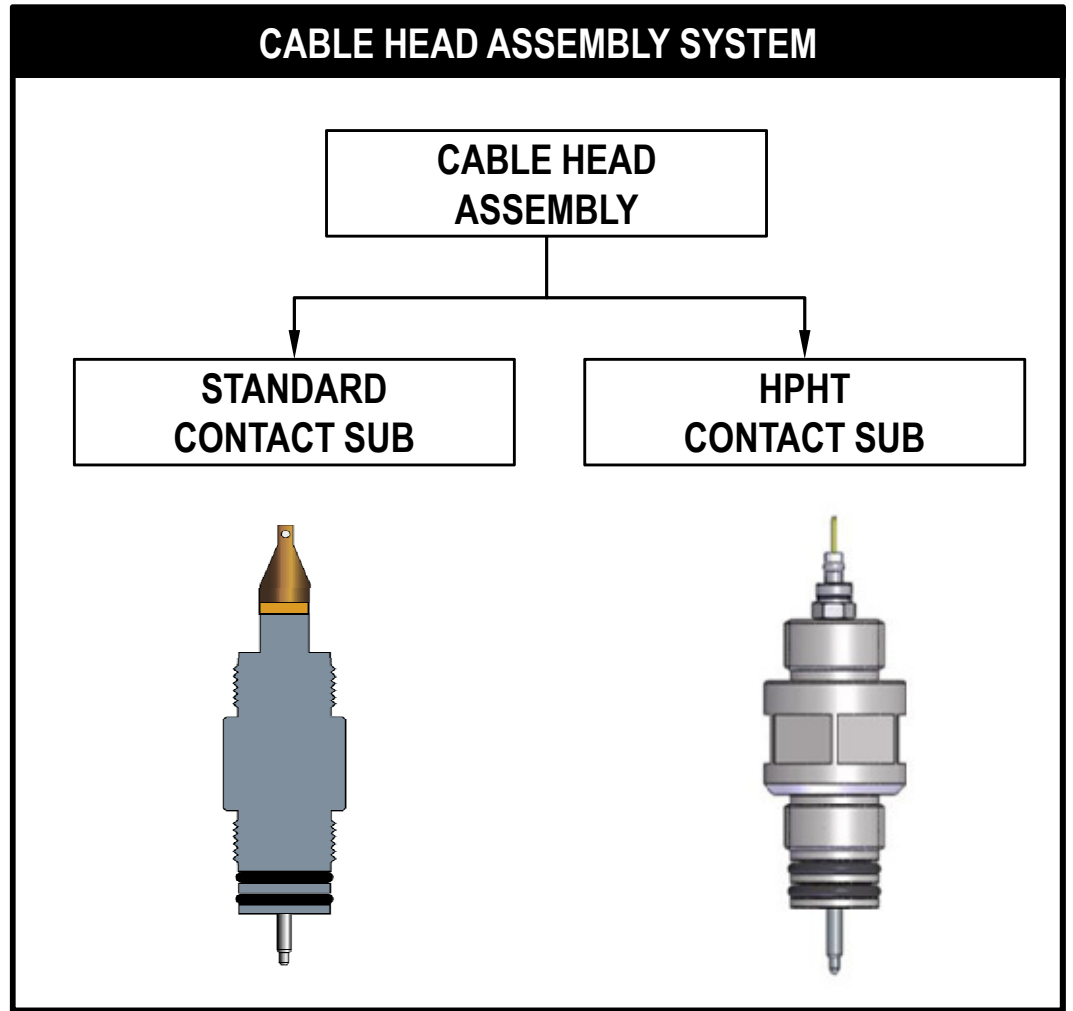
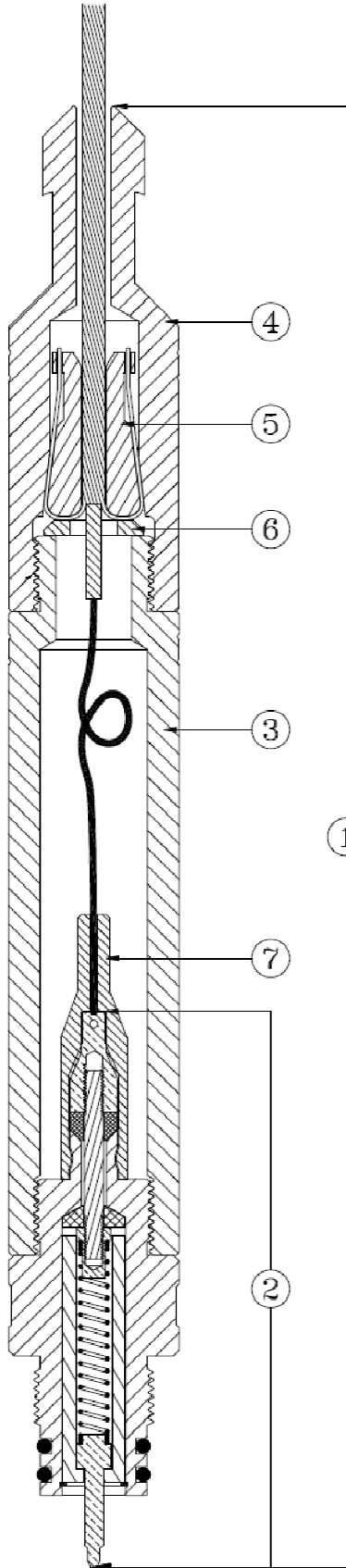




HUNTING-TITAN

1 11/16" CABLE HEAD ASSEMBLY TYPE II 0.288 LN 0.040 ST

ASSEMBLY PN : 5916-028-040



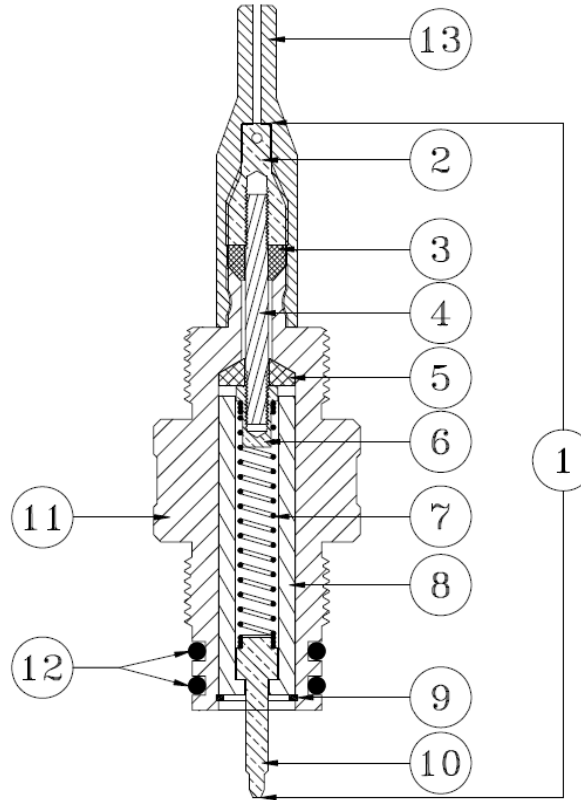
NO	PART NUMBER	DESCRIPTION
1	5916-028-040	1 11/16" CABLE HEAD ASSY STANDARD CONTACT SUB
2	3903-000-300 3903-000-780	1 11/16" CABLE HEAD CONTACT SUB ASSY – STANDARD 1 11/16" CABLE HEAD CONTACT SUB ASSY – HPHT
3	5916-001-000	1 11/16" CABLE HEAD BODY
4	5916-002-028	FISHING NECK 9/32" CABLE
5	3916-328-040	ROPE SOCKET CONE - .288 LN .040 STR
6	3916-0CW-218	COMPRESSION WASHER 15/32" HOLE - 7/32" Thick
7	9000-925-125	BOOT 1/8" HOLE



HUNTING-TITAN

1¹¹/₁₆" CABLE HEAD CONTACT SUB (CS) STANDARD

ASSEMBLY PN : 3903-000-300



NO	PART NUMBER	DESCRIPTION	QTY PER ASSY	REMARK
1	3903-000-300 3903-000-002	1 ¹¹ / ₁₆ " CABLE HEAD CS ASSY – STANDARD 1 ¹¹ / ₁₆ " CABLE HEAD CS ASSY – STANDARD REDRESS KIT	1	ITEM #2 – ITEM #10
2	3903-000-004	TERMINAL NUT	1	
3	3903-000-005	INSULATOR 1/2" OD	1	
4	3903-000-006	CONTACT ROD INSULATED	1	
5	3903-000-007	INSULATOR 5/8" OD	1	
6	3903-000-008	CONTACT NUT	1	
7	3903-000-009	CONTACT SPRING	1	
8	3903-000-011	PLUNGER INSULATOR	1	
9	3903-000-012	SNAP RING	1	
10	3903-000-010	CONTACT PLUNGER	1	
11	3903-000-301	CONTACT SUB BODY	1	
12	0111-211-V95	O-RING SZ-211 VITON	2	Not included in kit
13	9000-925-125	BOOT 1/8" HOLE		Not included in kit