



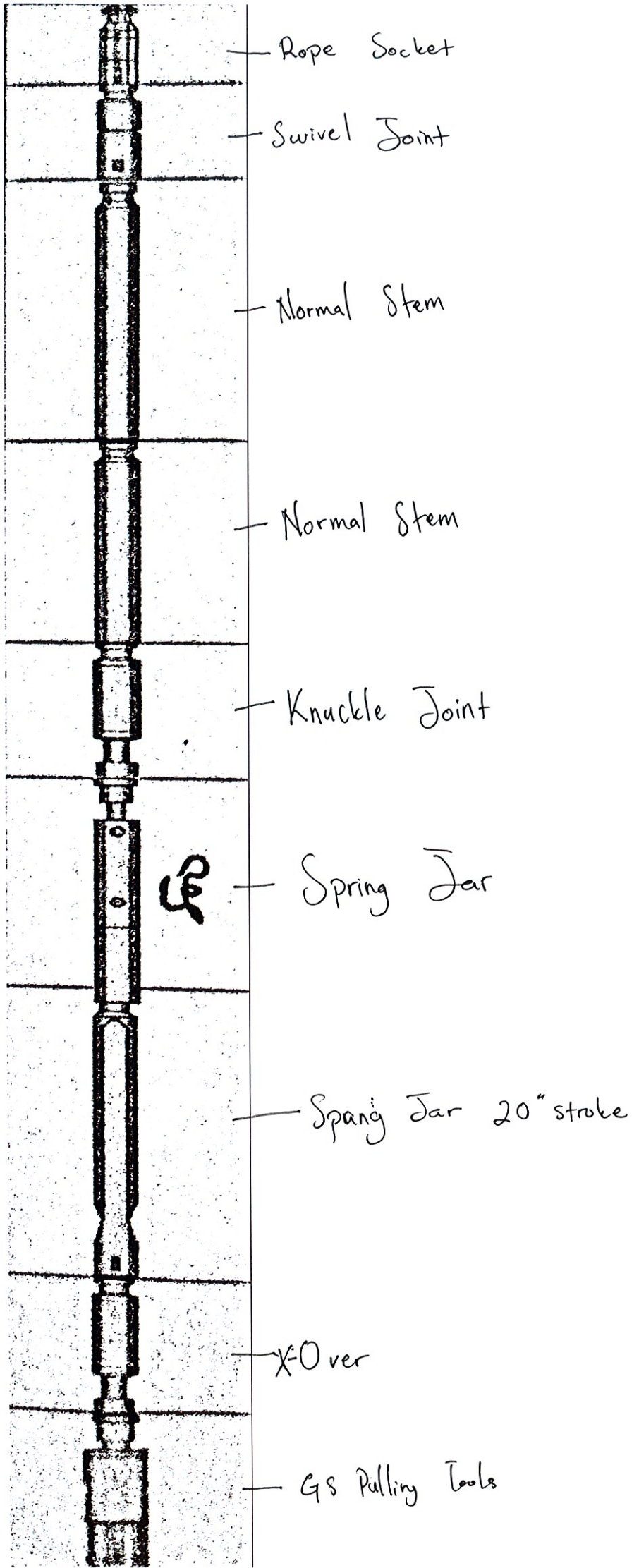
v. Retrieve PXX Plug Body

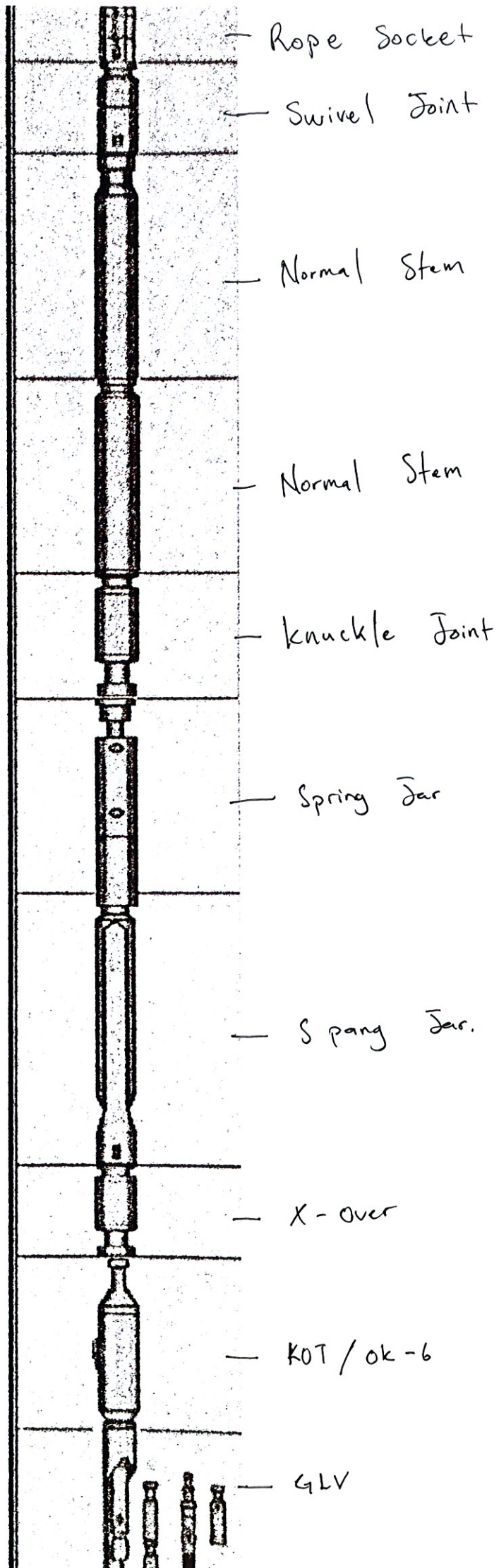
 DIMENSION BILL <small>WIRELINE INTERVENTION PERFORATION SERVICE</small>	
Diagram	Description
	1-7/8" x 0.108' Rope Socket
	1-7/8" Swivel
	1-7/8" X 5' Normal Stem
	1-7/8" Knuckle Joint
	1-7/8" X 2' Normal Stem
	1-7/8" X 20' Mechanical Spring Jar
	3.0" Nom GS

ii. Running to set PXX Plt

2 **DIMENSION B**
WIRELINE INTERVENTION | PERFORATION SER



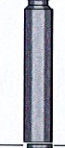


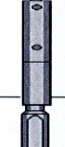

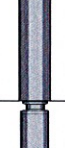


Diagram	Description
	1-7/8" x 0.108' Rope Socket
	1-7/8" Swivel
	1-7/8" X 5 Normal Stem
	1-7/8" Knuckle Joint
	1-7/8" X 2 Normal Stem
	1-7/8" X 20' Mechanical Spring Jar
	2.813" X-LINE R/TOOL
	2.81" PXX PLUG BODY





Please draw/sketch the toolstring configuration for:

- 1) Drift run/tubing clearance check
- 2) Sinker bar run
- 3) Set and retrieve plug
- 4) Set and retrieve insert valve

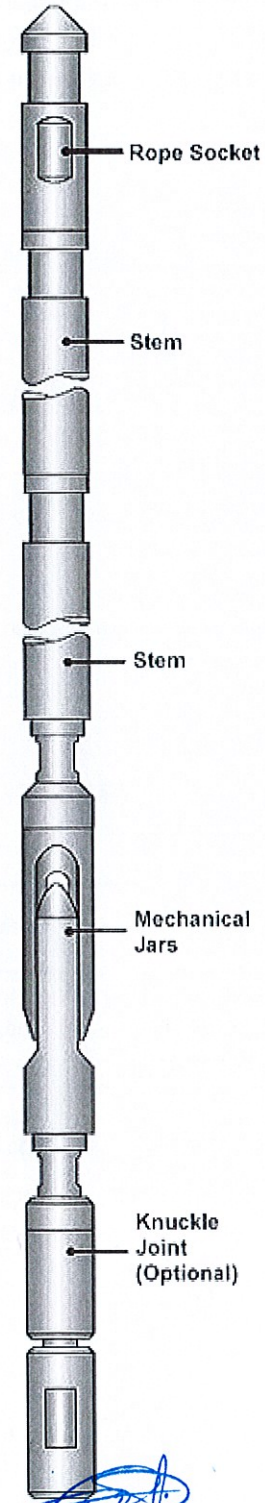
	1.-7/8" Rope Socket
	1-7/8" Swivel Joint
	1-7/8" X 5' Normal Stem
	1-7/8" X 3' Normal Stem
	1-7/8" Knuckle Joint
	1-7/8" Spring Jar
	1-7/8" X 20" SSJ
	1-7/8" x 2 ft Normal Stem
	X-OVER QLX X SR
	2.78" Drift

GREGAL MERRY
 Operation Manager
 Dimension Bid | Well Intervention Services
 12345 Main Street
 Houston, TX 77001
 281-123-4567

C. DOWNHOLE EQUIPMENT

1. List out all basic running and pulling tools

No.	Items
1	JU Type Pulling tools
2	JD Type Pulling tools
3	RB Type Pulling tools
4	SB Type Pulling tools
5	Gs Type Pulling tools
6	GS + GU = GR Type Pulling tools
7	JDC Type Pulling tools
8	JUC Type Pulling tools
9	X Line - Running tools
10	JK-1 - Running tools
11	GA -2 Running tools
12	z6 Running tools
13	PRS - Pulling tools
14	JUS - Pulling tools
15	JPS Pulling tools
16	'xo' Running tools
17	RO Running tools
18	DI - T Running tools
19	SS Pulling tools
20	RS Pulling tools

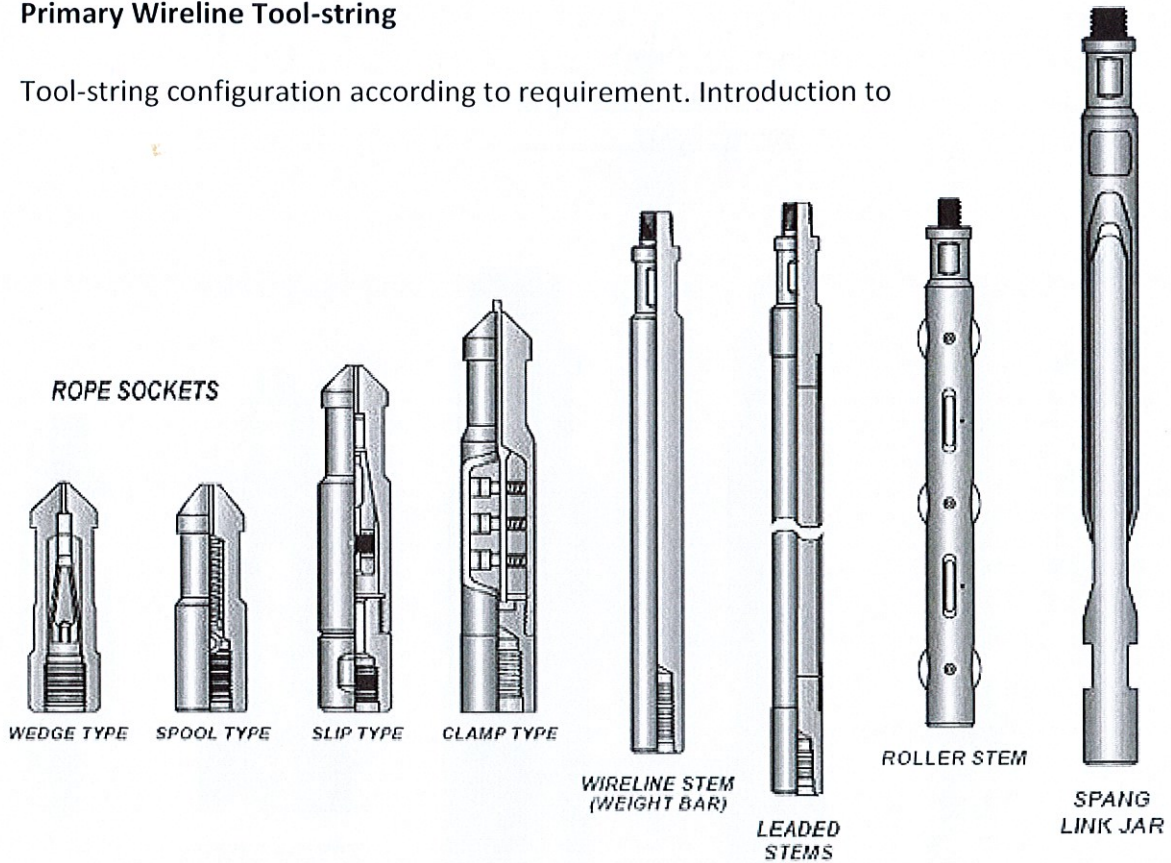


(Signature)
GAZALI MEHRY
 Operation Manager
 Dimension Bid (M) Sdn Bhd
 (East Malaysia Operation)

15/8/22

Primary Wireline Tool-string

Tool-string configuration according to requirement. Introduction to



a) rope sockets

To attach the wireline to the toolstring.

b) stem lead

Stem lead provides the weight required during running toolstring in wireline operation. ~~It~~ They should not be used in heavy jarring operation.

c) tungsten stem

Provides additional weight than normal stem in wireline operation. Should not be used in heavy jarring operation.

d) roller stem

Used when entering a highly deviated wellbore. Roller stem replaces the conventional stem but with addition of roller to ~~reduce~~ reduce friction against the tubing well allowing the tools to be conveyed to the required depth.

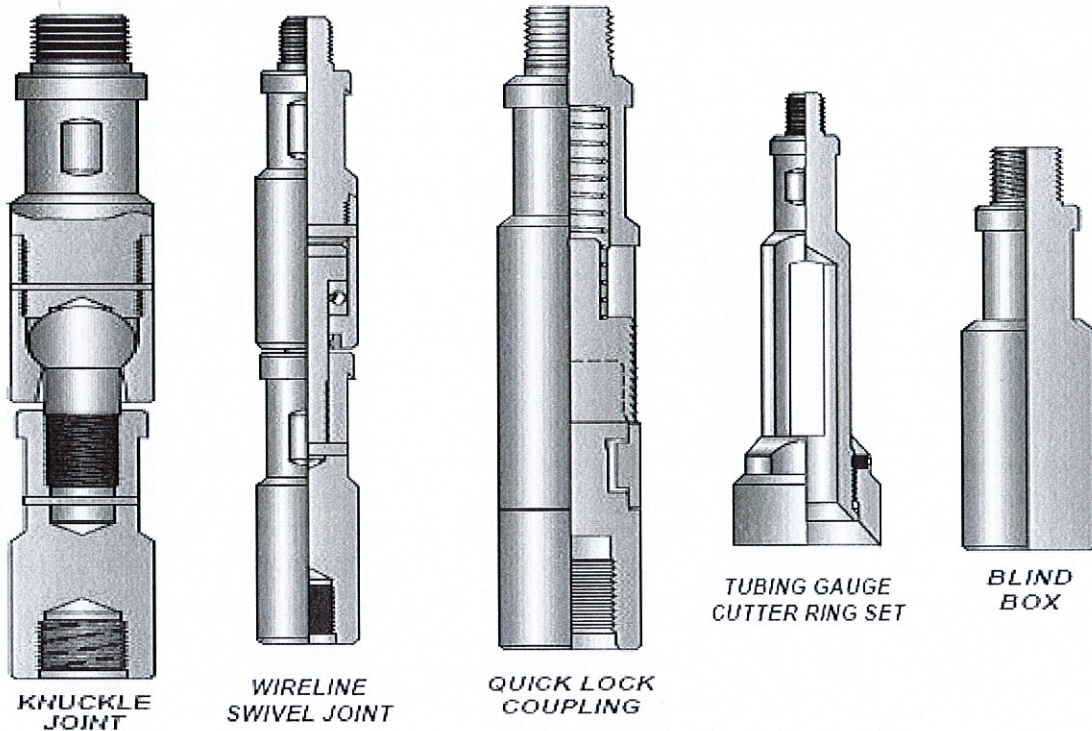
Operation Manager
Dimension Bid (M) Sdn Bhd
(East Malaysia Operation)

GAZALI MEHRY
Operation Manager
Dimension Bid (M) Sdn Bhd
(East Malaysia Operation)



e) jars

Jar utilizes stem weight to deliver jarring impact to the toolstring below. Jar is located below stem. The types of Jar includes mechanical, link jar, tubular jar and spring jar.



f) knuckle joints,


Knuckle joint are used to add flexibility within the toolstring and particular effective within deviated wellbore.

g) swivel joints,

The swivel joint is a toolstring accessory that is incorporated to minimize the effect of any ~~potential~~ potential wire twist caused by downhole condition or devices run.

h) quick-lock coupling

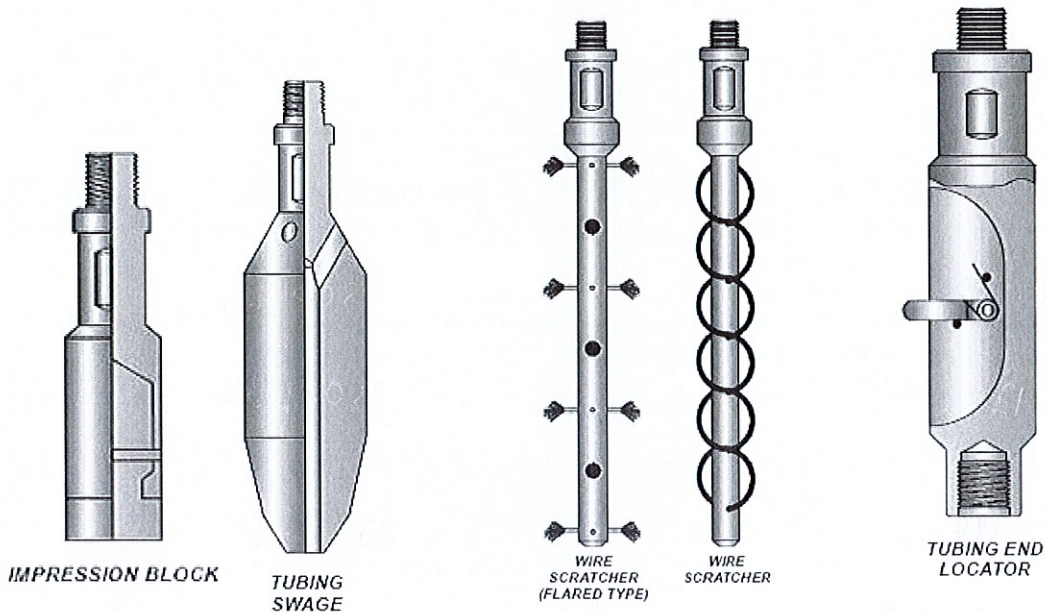
Quick-lock coupling or ALS is a type of connection that connect toolstring faster and more secure.


GAZALI MEHRY
Operation Manager
Dimension Bid (M) Sdn Bhd
(East Malaysia Operation)

15/3/22



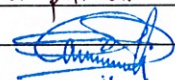
- i) gauge cutter,
A wireline tools designed to gauge and scrape clean the tubing inside diameter (ID). The tools Outside Diameter (OD) should be slightly smaller than the tubing id to provide maximum tubing clearance.
- j) Blind Box
Blind Box are used when heavy downward Jarring is required to dislodge a fish or push something down the hole.



- k) lead impression box
Also known as a bottom hole camera. LIB is used during fishing operation, to check the shape of size of the top fish and to determine the appropriate tools to be used for fishing operation.

- l) swage
Tubing swages are used to remove large obstruction and restore light collapse in the tubing. This allows smooth running of tools string in wellbore.

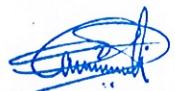
- m) wire scratcher
Used to remove large ~~par~~ scale from the inner surface of tubing string. It has brush like mechanism when run in hole or pull out of ~~the~~ hole.


GAZALI MEHRY
 Operation Manager
 Dimension Bid (M) Sdn Bhd
 (East Malaysia Operation)

n) tubing end locator
Designed to locate the end of production tubing, allowing the total depth to be measured.

o) wire recover tool
To fish the wire

Fill up below Table

<p>A. Size of Wire that use at DB</p> <p>1. <u>0.108</u></p> <hr/> <p>2. <u>0.125</u></p> <hr/> <p>3. <u>0.140</u></p> <hr/>	<p>B. Breaking point of each wire</p> <p>1. <u>2500 LBS</u></p> <hr/> <p>2. <u>3500 LBS</u></p> <hr/> <p>3. <u>4050 LBS</u></p> <hr/>
<p>C. Type of wire used at DB</p> <p>1. <u>Zeron</u></p> <hr/> <p>2. <u>Zapp</u></p> <hr/> <p>3. <u>EIPB</u></p> <hr/>	<p>D. How to test if wire is good or not</p> <p>1. <u>Wire Pull test</u></p> <hr/> <p>2. <u>Pull Test</u></p> <hr/> <p>3. <u>Torsion Test</u></p> <hr/>
<p>E. Why do we need to check on the tools before running in hole (RIH)?</p> <p><u>To make sure the devise is affordable and usable</u></p> <div style="text-align: right;">  GAZALI MEHRY Operation Manager Dimension Bid (M) Sdn Bhd (East Malaysia Operation) </div> <p style="text-align: right;"><u>15/3/22</u></p>	



F. What do we need to do if the tool is damage or lost in hole?

- Consult with supervisor
- Report to the town
- Prepare fishing plan

G. What do we need to do if equipment failed to work?

- Report to town (within 30-45 minutes)
- Minor - troubleshoot
- Major - Request for mechanic or technician
 - Request for new equipment.
- If tools unable to repair, required to send back to onshore.

GAZALI MEHRY
Operation Manager
Dimension Bid (M) Sdn Bhd
(East Malaysia Operation)

15/3/22