

ADAPTOR SPECIFICATIONS



ADAPTORS

ADAPTORS

Adaptor threads can be manufactured to your specifications.

Parameters	Imperial	Metric
OD Size:	5/8" – 3-1/4"	15.9 mm - 82.6 mm
Weight:	—	—
Temperature:	500°F	260°C
Pressure:	21,000psi	144 MPa
Type:		



**APPLIED
ELECTRONIC
SYSTEMS**

a **Sondex** company

www.aesla.com

ADA0-1

ADAPTOR PRODUCT RANGES

Part No. Description Page

5/8"

AS0-0001	Tear Drop Sub	ADA0-6
AS0-0007	Tear Drop W/ Pressure Connector	ADA0-6
AS0-0008	Pin to 23/32" JRC Cutter Assy	ADA0-7
AS0-0009	Double Box Sub	ADA0-8
AS0-0011	Pipe Recovery Systems Chemical Cutter to 5/8" AES Tear Drop	ADA0-9
AS0-0012	Pipe Recovery Systems Chemical Cutter to Pressure Connector	ADA0-9
AS0-0014	Double Pin Assy	ADA0-8
AS0-0015	Pipe Recovery Systems Chemical Cutter to 5/8" AES Pin	ADA0-9
AS0-0019	Resistor Sub Assy	ADA0-10

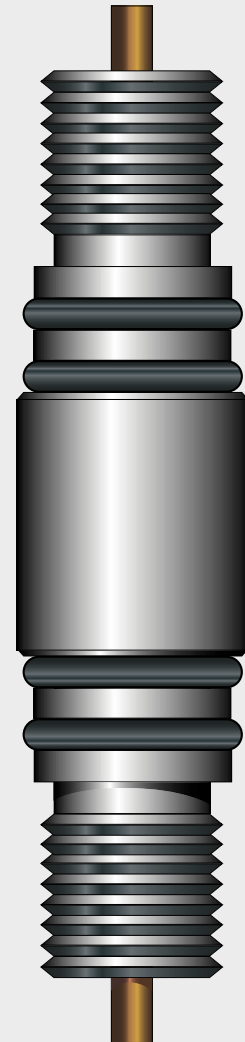
11/16"

AS1-0014	Tear Drop Sub Assy	ADA0-11
----------	--------------------	---------

3/4"

AS1-0007	GO Pin to 11/16" AES Box Assy	ADA0-12
AS1-0008	GO Pin to 11/16" AES Pin Assy	ADA0-13
AS1-0009	GO Pin to 11/16" AES Pin Assy	ADA0-12
AS2-0001	AES Pin to 3/4" Pipe Recovery Systems Chemical Cutter	ADA0-19
AS2-0002	Tear Drop Sub	ADA0-15
AS2-0006	Double GO Pin Assy	ADA0-16
AS2-0008	Double GO Box Assy	ADA0-16
AS2-0011	GO Pin to 3/4" Pipe Recovery Systems Chemical Cutter	ADA0-17
AS2-0012	Teardrop to 3/4" Pipe Recovery Systems Chemical Cutter	ADA0-18
AS2-0013	GO Box to 3/4" Pipe Recovery Systems Chemical Cutter	ADA0-18
AS2-0014	AES Tear Drop to 11/16" AES Pin	ADA0-15
AS2-0016	GOEX Severing Tool Tear Drop to 11/16" AES Pin	ADA0-14

Continued Next Page



**APPLIED
ELECTRONIC
SYSTEMS**

a **Sondex** company
www.aesla.com

ADAPTORS PRODUCT RANGES

Part No. Description Page

1"

AS0-0010	AES Pin to 1" GO Box Assy	ADA0-27
AS3-0034	AES Box to 1" GO Pin Assy	ADA0-27
AS3-0001	Tear Drop to 1" GO Pin Assy	ADA0-20
AS3-0005	GO Double Pin Assy	ADA0-21
AS3-0006	GO Bull Plug Assy	ADA0-22
AS3-0007	GO Firing Sub Assy	ADA0-23
AS3-0018	GO Double Box Assy	ADA0-21
AS3-0019	Sucker Rod Box to 1" GO Box	ADA0-26
AS3-0020	Sucker Rod Pin to 1" GO Box	ADA0-26
AS3-0021	Sucker Rod Box to 1" GO Pin Assy	ADA0-26
AS3-0022	AES Combination Diode Sub Assy	ADA0-24
AS3-0026	Sucker Rod Pin to 1" GO Pin Assy	ADA0-26
AS3-0036	AES Tear Drop to 1" GO Box Assy	ADA0-20
AS3-0042	Double Sealed Tear Drop Assy	ADA0-25

1 3/8"

AS4-0001	AES Tear Drop Sub Assy	ADA0-29
AS4-0005	Double GO Pin Sub Assy	ADA0-30
AS4-0008	Atlas Pin to 1 3/8" GO Pin Assy	ADA0-32
AS4-0010	Atlas Box to 1 3/8" GO Pin Assy	ADA0-33
AS4-0011	Tear Drop to 1 3/8" Atlas Box Assy	ADA0-33
AS4-0012	Schlumberger Box to 1 3/8" GO Pin Assy	ADA0-34
AS4-0013	GO Box to 1 3/8" McCullough Box Assy	ADA0-35
AS4-0021	Atlas Pin to 1 3/8" GO Box Assy	ADA0-32
AS4-0022	Double GO Box Sub Assy	ADA0-30
AS4-0023	Sucker Rod Box to 1 3/8" GO Box Assy	ADA0-43
AS4-0024	Sucker Rod Pin to 1 3/8" GO Box Assy	ADA0-43
AS4-0025	Sucker Rod Box to 1 3/8" GO Pin Assy	ADA0-43
AS4-0027	AES Double Sealed Tear Drop Assy	ADA0-31
AS4-0028	Sucker Rod Pin to 1 3/8" Atlas Box	ADA0-42
AS4-0029	Sucker Rod Box to 1 3/8" Atlas Box	ADA0-42
AS4-0030	GO Box to 1 3/8" GO Box Assy	ADA0-28
AS4-0031	SIE Box to 1 3/8" GO Box Assy	ADA0-36
AS4-0035	Combination Diode Assy	ADA0-37
AS4-0037	Sucker Rod Double Box	ADA0-42
AS4-0038	Sucker Rod Box to 5/8" Sucker Rod Pin	ADA0-42
AS4-0039	GO Pin to 1 3/8" McCullough Pin Assy	ADA0-38
AS4-0040	Sucker Rod Box to 1 3/8" McCullough Pin	ADA0-42
AS4-0044	Sucker Rod Pin to 1 3/8" GO Pin Assy	ADA0-43
AS4-0045	GO Pin to 1 3/8" GO Pin Assy	ADA0-28
AS4-0048	Schlumberger Box to 1 3/8" Teardrop Sub Assy	ADA0-39



**APPLIED
ELECTRONIC
SYSTEMS**

a **Sondax** company

www.aesla.com

Continued Next Page

ADA0-3

ADAPTOR PRODUCT RANGES

Part No. Description Page

1 3/8" Continued from previous page

AS4-0049	Schlumberger Box to 1 3/8" Tear Drop Sub Assy	ADA0-39
AS4-0052	Schlumberger Pin to 1 3/8" GO Pin Assy	ADA0-34
AS4-0093	Double Sucker Rod Pin	ADA0-42
AS4-0103	GO Box/Tear Drop W/Pressure Connector & Ground Screw	ADA0-40
AS4-0104	GO Pin/Tear Drop W/Pressure Connector & Ground Screw	ADA0-41

1 7/16"

AS5-0001	GO Pin to 1" GO Box Assy	ADA0-46
AS5-0007	GO Box to 1" GO Pin Assy	ADA0-46
AS5-0014	AES Tear Drop Sub Assy	ADA0-47
AS5-0025	GO Double Pin Assy	ADA0-48
AS5-0026	GO Double Box Assy	ADA0-48
AS5-0028	AES Double Sealed Tear Drop Assy	ADA0-45
AS5-0029	AES Tear Drop Sub to 1 3/8" GO Box Assy	ADA0-47
AS5-0030	Double Sealed Tear Drop W/Adjustment Ring	ADA0-49
AS5-0031	GO Double Pin Sub W/Adjustment Ring	ADA0-49

1 1/2"

AS8-0001	GO Low Pressure Firing Sub Assy	ADA0-50
AS8-0002	Sucker Rod Pin to 1 3/8" GO Pin Assy	ADA0-44
AS8-0003	Sucker Rod Box to 1 3/8" GO Box Assy	ADA0-44
AS8-0005	GO High Pressure Firing Sub Assy	ADA0-50
AS8-0006	Sucker Rod Box to 1 3/8" GO Pin Assy	ADA0-44
AS8-0007	GO Firing Sub to Atlas Sub Assy	ADA0-51

1 9/16"

AS6-0045	RTG Tandem Sub Assy	ADA0-52
AS6-0047	RTG Bottom Sub Adapter Assy	ADA0-52
AS6-0046	RTG Top Sub Assy	ADA0-52
AS6-0048	RTG Bull Plug Assy	ADA0-52
AS6-0049	Lower Decentralizer Adapter Assy	ADA0-52
AS6-0071	Lower Blast Sub	ADA0-52



Continued Next Page

**APPLIED
ELECTRONIC
SYSTEMS**

a **Sondex** company

www.aesla.com

ADA0-4

ADAPTOR PRODUCT RANGES

Part No. Description Page

1 11/16"

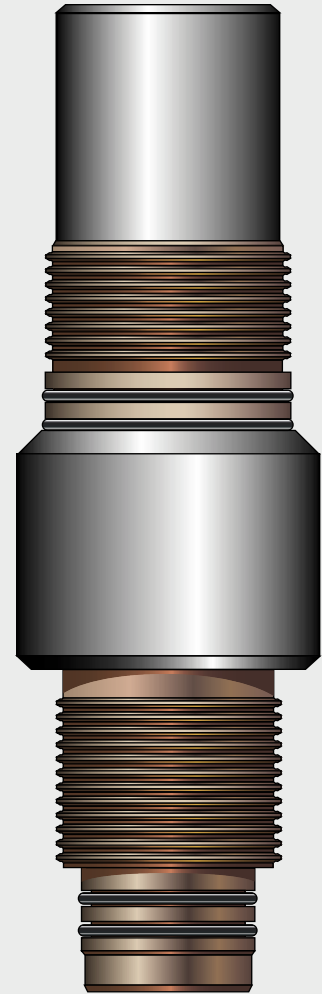
AS6-0001	Schlumberger Box to 1 3/8" GO Pin Assy	ADA0-53
AS6-0018	Schlumberger Pin to 1 3/8 GO Pin Assy	ADA0-53
AS6-0065	AES Tear Drop Sub to 1 3/8" GO Box Assy	ADA0-54
AS6-0037	AES Tear Drop Sub Assy	ADA0-54
AS6-0060	GO Double Box Assy	ADA0-55
AS6-0070	GO Double Pin Assy	ADA0-55
AS6-0076	Button Pin / GO Box	ADA0-56
AS6-0079	Schlumberger Pin to 1 3/8" GO Box	ADA0-57
AS6-0085	GO Box/Tear Drop W/Pressure Connector & Ground Screw	ADA0-58
AS6-0086	GO Pin/Tear Drop W/Pressure Connector & Ground Screw	ADA0-59

1 3/4"

AS7-0002	GO Quick-Change Pin to 1 7/16" GO Pin Assy	ADA0-60
AS7-0003	GO Quick-Change Pin to GO Tear Drop Assy	ADA0-60
AS7-0004	GO Quick-Change Pin to 1 7/16" GO Box Assy	ADA0-60
AS7-0007	Double Quick Change Pin Assy	ADA0-61

2" - 3 1/4"

AS7-0013	2 1/2" GO Quick Change Box Tto GO Box	ADA0-62
AS9-0028	3 1/4" Quick Change Assy, GO	ADA0-63
AS9-0029	3 1/8" Quick Change Assy, SIE	ADA0-64
AS9-0031	2" RTG Tandem Sub Assy	ADA0-65
AS9-0032	2" RTG Top Sub Assy	ADA0-65
AS9-0033	2" RTG Bull Plug Assy	ADA0-65
AS9-0042	2" RTG Bottom Adapter Sub Assy	ADA0-65
AS10-0001	Firing Head Assembly for Baker #20 Setting Tool	ADA0-68
AS10-0002	#10 Baker Firing Head to GO Quick-Change Assy (GO Type Igniter)	ADA0-66
AS10-0003	#20 Baker Firing Head to GO Quick-Change Assy (GO Type Igniter)	ADA0-66
AS10-0004	#20 Baker Firing Head to GO Quick-Change Assy (Baker Type Igniter)	ADA0-67
AS10-0005	#10 Baker Firing Head to GO Quick-Change Assy (Baker Type Igniter)	ADA0-67
AS10-0006	Firing Head Assembly for Baker #10 Setting Tool	ADA0-69



**APPLIED
ELECTRONIC
SYSTEMS**

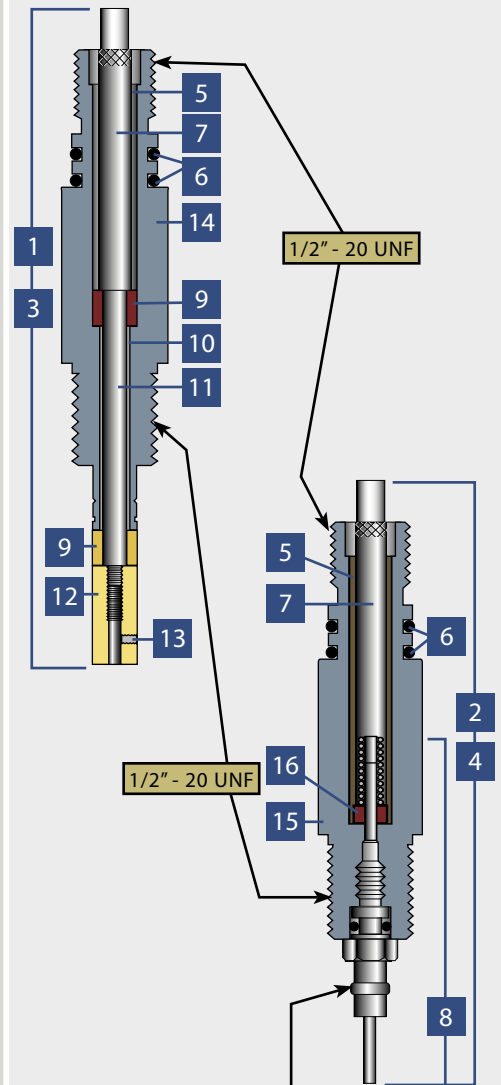
a **Sondex** company
www.aesla.com

ADAPTOR COMPONENTS

5/8" AES Tear Drop & 5/8" AES Tear Drop With Pressure Connector

Ref.	Part No.	Description
1	AS0-0001	AES 5/8" Tear Drop Complete Assy
2	AS0-0007	AES 5/8" Tear Drop w/Pressure Connector
3	KIT-0-0001	Complete Kit Assy *
4	KIT-0-0007	Complete Kit Assy *
5	BOO-0032	Insulating Sleeve
6	000-0012	O-Rings: 012
7	CON-0011	Spring Loaded Contact
8	PSA-001	Contact Assy
9	0.687-0002	Insulating Washer
10	BOO-0096	Insulating Sleeve
11	0.687-0030	6-32 to 4-40 Contact Rod
12	0.687-0007	4-40 Contact Receptacle
13	HOO-0003	4-40 X 1/8" Socket Set Screw
14	0.625-0007	Contact Sub Body
15	0.625-0024	Contact Sub Body
16	0.687-0090	Contact Insulator

* Does not include O-Rings



Note: CON-0038 rubber pressure connector boot mates with CON-0012-A pressure connector

**APPLIED
ELECTRONIC
SYSTEMS**

a **Sondex** company

www.aesla.com

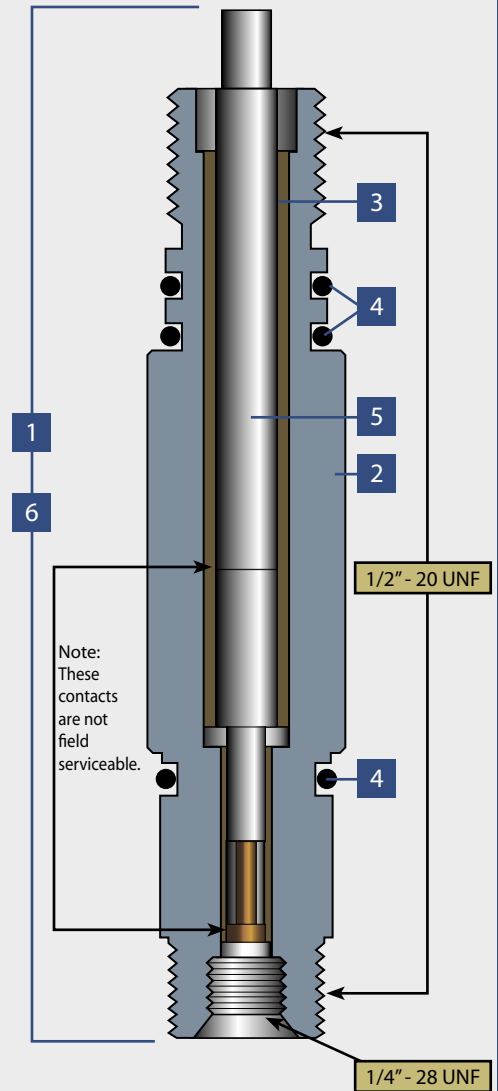
ADA0-6

ADAPTOR COMPONENTS

5/8" AES Pin To JRC Cutter

Ref.	Part No.	Description
1	AS0-0008	AES 5/8" Pin to JRC Cutter Complete Assy
2	0.625-0056	Contact Sub Body
3	BOO-0032	Insulating Sleeve
4	000-0012	O-Rings: 012
5	CON-0011	Spring Loaded Contact
6	Kit-0-0008	Complete Kit Assy

* Does not include O-Rings



**APPLIED
ELECTRONIC
SYSTEMS**

a **Sondex** company
www.aesla.com

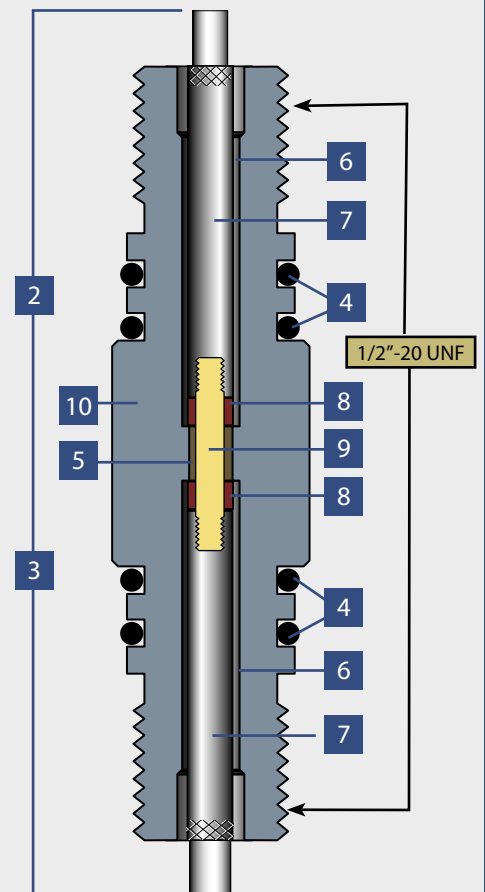
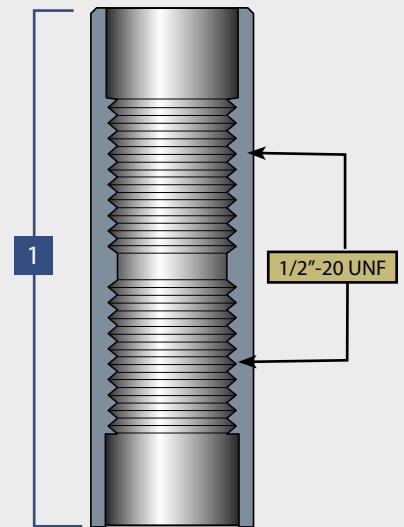
ADA0-7

ADAPTOR COMPONENTS

5/8" AES Double Box Sub 5/8" AES Double Pin Sub

Ref.	Part No.	Description
1	AS0-0009	AES 5/8" Double Box Sub (.6250036)
2	AS0-0014	AES 5/8" Double Pin Sub Complete Assembly
3	KIT-0-0014	Complete Kit Assembly *
4	000-0012	O-Rings: 012
5	BOO-0096	Insulating Sleeve
6	BOO-0032	Insulating Sleeve
7	CON-0011	Spring Loaded Contact
8	0.687-0002	Insulating Washer
9	0.625-0075	6-32 Contact Rod
10	0.625-0057	Contact Sub Body

* Does not include O-Rings



**APPLIED
ELECTRONIC
SYSTEMS**

a **Sondex** company

www.aesla.com

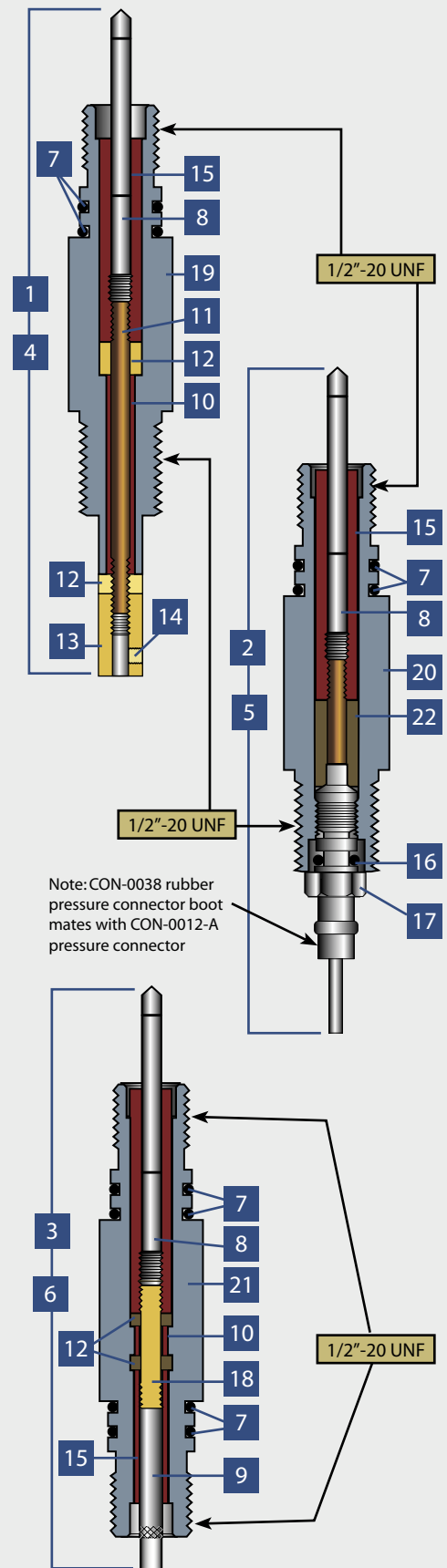
ADA0-8

ADAPTOR COMPONENTS

11/16" Pipe Recovery Systems Chemical
Cutter To 5/8" AES Tear Drop
11/16" Pipe Recovery Systems Chemical
Cutter To Pressure Connector
11/16" Pipe Recovery Systems Chemical
Cutter To 5/8" AES Pin

Ref.	Part No.	Description
1	AS0-0011	11/16" Pipe Recovery Systems Chemical Cutter to 5/8" AES Tear Drop
2	AS0-0012	11/16" Pipe Recovery Systems Chemical Cutter to Pressure Connector
3	AS0-0015	11/16" Pipe Recovery Systems Chemical Cutter to 5/8" AES Pin
4	KIT-0-0011	Complete Kit Assy *
5	KIT-0-0012	Complete Kit Assy *
6	KIT-0-0015	Complete Kit Assy *
7	000-0012	O-Rings: 0012
8	PSA-010	Contact Assy
9	CON-0011	Spring Loaded Contact
10	BOO-0096	Insulating Sleeve
11	0.687-0030	6-32 Contact Rod
12	0.687-0002	Insulating Washer
13	0.687-0007	11/16" Contact Nut
14	HOO-0003	4-40 Set Screw
15	BOO-0032	Insulating Sleeve
16	000-0008	O-Rings: 008
17	CON-0012-A	Pressure Connector
18	0.625-0075	6-32 Contact Rod
19	0.625-0007	Contact Sub Body
20	0.625-0024	Contact Sub Body
21	0.625-0057	Contact Sub Body
22	0.687-0090	Contact Insulator

* Does not include O-Rings



**APPLIED
ELECTRONIC
SYSTEMS**

a **Sondex** company
www.aesla.com

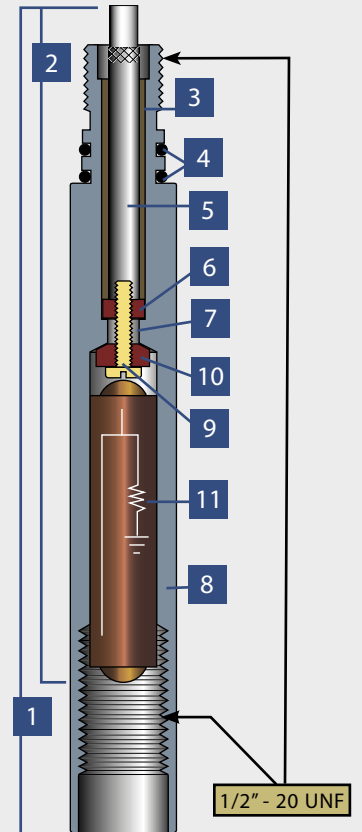
ADA0-9

ADAPTOR COMPONENTS

5/8" AES Resistor Sub

Ref.	Part No.	Description
1	AS0-00195/8"	AES Resistor Sub Complete Assy
2	KIT-0-0019	Complete Kit Assy *
3	BOO-0032	Insulating Sleeve
4	000-0012	O-Rings: 012
5	CON-0011	Spring Loaded Contact
6	0.687-0002	Insulating Washer
7	BOO-0096	Insulating Sleeve
8	0.625-0071	Contact Sub Body
9	HOO-0153	6-32 Contact Rod
10	0.625-0070	Beveled Insulating Washer
11	PSA-033	Resistor Cartridge

* Does not include O-Rings



**APPLIED
ELECTRONIC
SYSTEMS**

a **Sondex** company
www.aesla.com

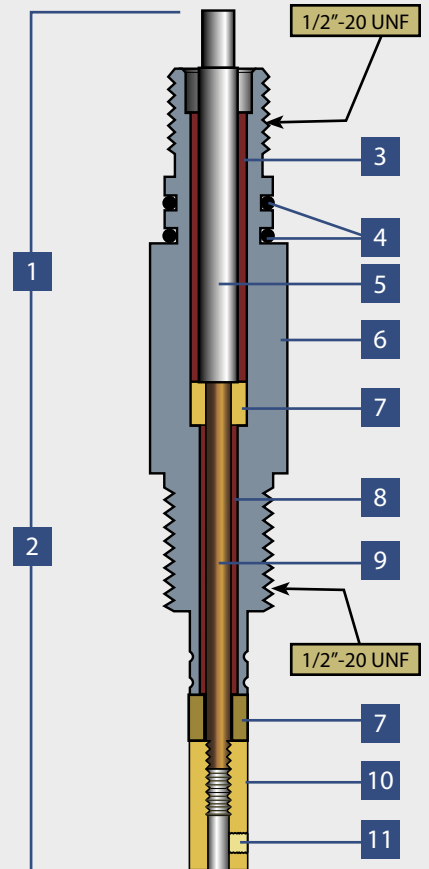
ADA0-10

ADAPTOR COMPONENTS

11/16" AES Tear Drop Sub

Ref.	Part No.	Description
1	AS1-0014	11/16" AES Tear Drop Sub Complete Assembly
2	KIT-1-001	Complete Kit Assembly *
3	BOO-0032	Insulating Sleeve
4	000-0012	O-Rings: 012
5	CON-0011	Spring Loaded Contact
6	0.687 - 0086	11/16" Tear Drop Sub Body
7	0.687-0002	Insulating Washer
8	B00-0096	Insulating Sleeve
9	0.687-0030	6-32 to 4-40 Contact Rod
10	0.687-007	11/16" Contact Receptacle
11	H00-0003	4-40 x 1/8" Socket Set Screw

* Does not include O-Rings



**APPLIED
ELECTRONIC
SYSTEMS**

a **Sondex** company

www.aesla.com

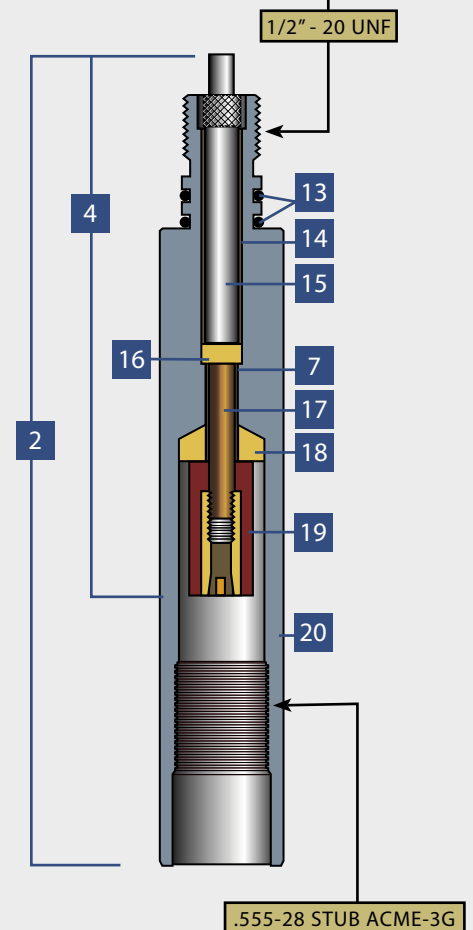
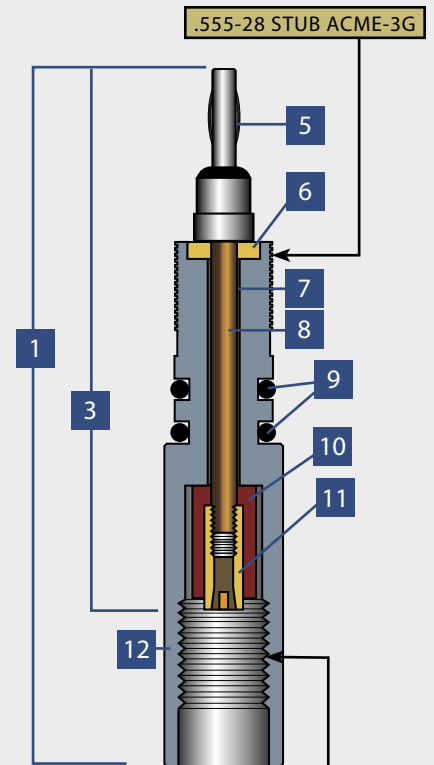
ADA0-11

ADAPTOR COMPONENTS

3/4" GO Pin to 11/16" AES Box & 3/4" GO Box to 11/16" AES Pin

Ref.	Part No.	Description
1	AS1-0007	3/4" GO Pin to 11/16" AES Box Complete Assy
2	AS1-0009	3/4" GO Box to 11/16" AES Pin Complete Assy
3	KIT-1-0007	Complete Kit Assy *
4	KIT-1-0009	Complete Kit Assy *
5	CON-0004	Banana Plug
6	0.437-0001	Insulating Washer
7	BOO-0096	Insulating Sleeve
8	1.-0202	6-32 Contact Rod
9	000-0110	O-Rings: 110
10	0.687-0003	Contact Insulator
11	0.687-0072	Contact Receptacle
12	0.687-0062	Contact Sub Body
13	000-0012	O-Rings: 012
14	BOO-0032	Insulating Sleeve
15	CON-0011	Spring Loaded Contact
16	0.687-0002	Insulating Washer
17	0.687-0069	6-32 Contact Rod
18	0.500-0004	Insulating Washer
19	1.-0031	6-32 Contact Receptacle
20	0.687-0063	Contact Sub Body

* Does not include O-Rings



**APPLIED
ELECTRONIC
SYSTEMS**

a **Sondex** company
www.aesla.com

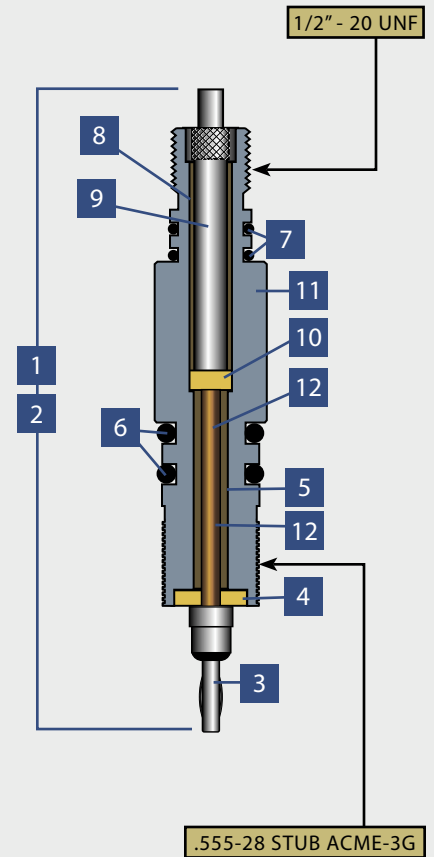
ADA0-12

ADAPTOR COMPONENTS

3/4" GO Pin to 11/16" AES Pin

Ref.	Part No.	Description
1	AS1-0008	3/4" GO Pin to 11/16" AES Pin Complete Assy
2	KIT-1-0008	Complete Kit Assy *
3	CON-0004	Banana Plug
4	0.437-0001	Insulating Washer
5	BOO-0096	Insulating Sleeve
6	000-0110	O-Rings: 110
7	000-0012	O-Rings: 012
8	BOO-0032	Insulating Sleeve
9	CON-0011	Spring Loaded Contact
10	0.687-0002	Insulating Washer
11	0.687-0061	Contact Sub Body
12	0.687-0024	6-32 Contact Rod

* Does not include O-Rings



**APPLIED
ELECTRONIC
SYSTEMS**

a **Sondex** company

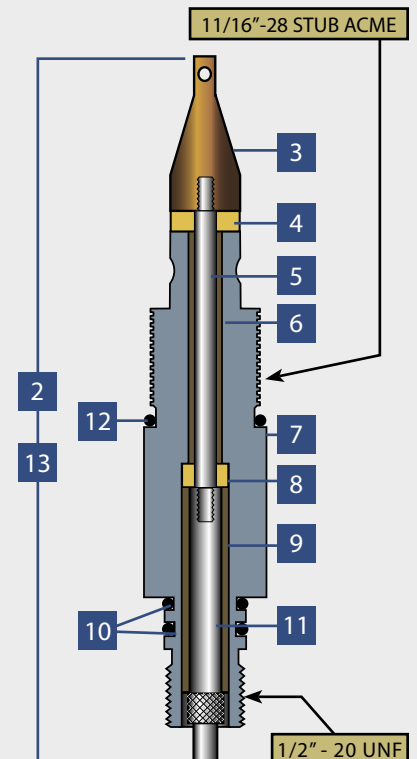
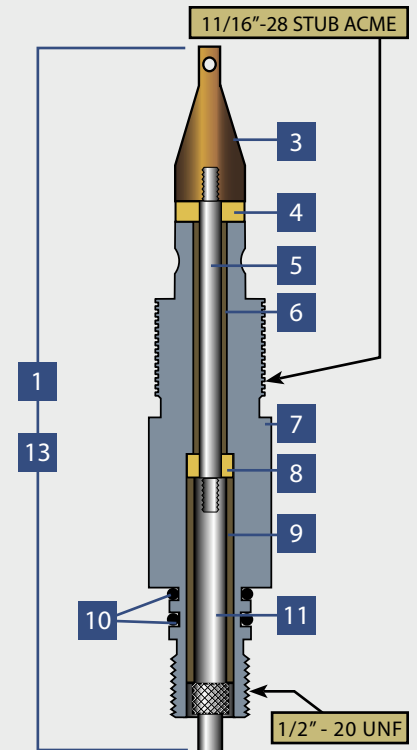
www.aesla.com

ADA0-13

ADAPTOR COMPONENTS

3/4" AES Tear Drop to 11/16" AES Pin

Ref.	Part No.	Description
1	AS2-0014	3/4" AES Tear Drop to 11/16" AES Pin
2	AS2-0016	3/4" Goex Severing Tool Tear Drop to 11/16" AES Pin
3	0.750-0029	3/4" Cone Nut
4	0.437-0001	Insulating Washer
5	0.687-0024	6-32 Contact Rod
6	BOO-0034	Teflon® Insulating Sleeve
7	0.750-0015	Contact Sub Body
8	0.687-0002	Insulating Washer
9	BOO-0032	Teflon Insulating Sleeve
10	000-0012	O-Rings: 012
11	CON-0011	Spring Loaded Pogo Contact
12	000-0112	O-Rings: 112
13	KIT-2-0014*	Complete Kit Assy



**APPLIED
ELECTRONIC
SYSTEMS**

a **Sondex** company
www.aesla.com

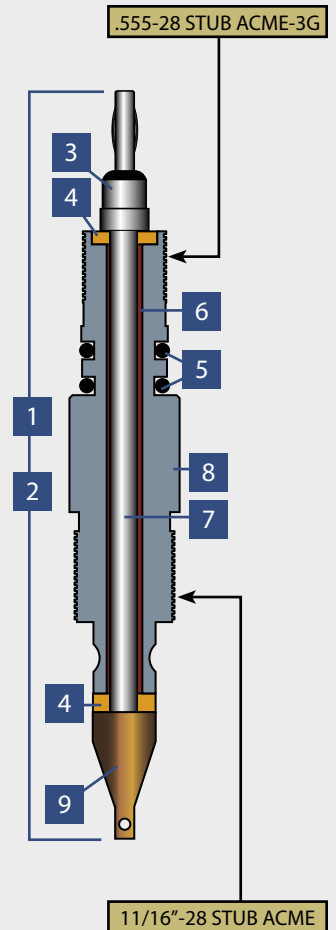
ADA0-14

ADAPTOR COMPONENTS

3/4" AES Tear Drop Assembly

Ref.	Part No.	Description
1	AS2-0002	3/4" AES Tear Drop Assy
2	KIT-2-0002	Complete Kit Assy *
3	CON-0004	6-32 Banana Plug
4	0.437-0001	Insulating Washer
5	000-0110	O-Rings: 110
6	BOO-0096	Insulating Sleeve
7	0.750-0070	Contact Thru Rod
8	0.750-0007	Contact Sub Body
9	0.750-0029	Cone Receptable

* Does not include O-Rings



**APPLIED
ELECTRONIC
SYSTEMS**

a **Sondex** company
www.aesla.com

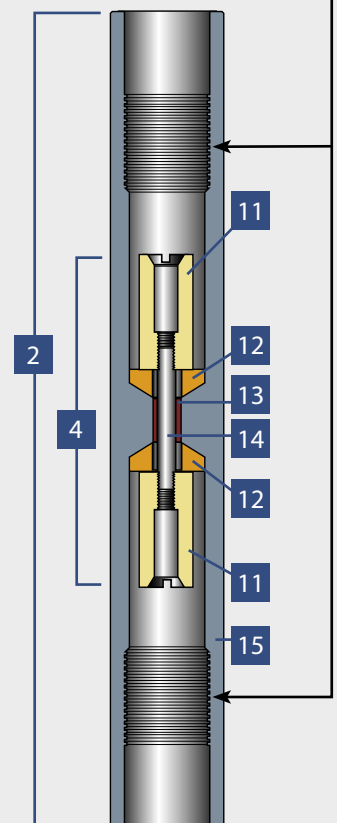
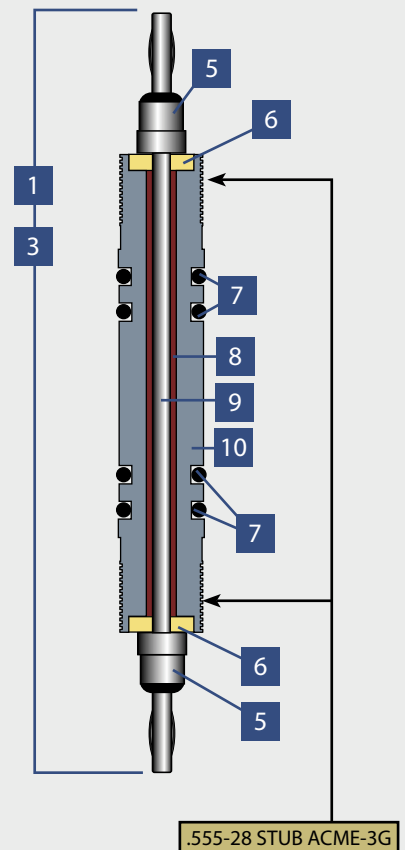
ADA0-15

ADAPTOR COMPONENTS

3/4" Double GO Pin & 3/4" Double GO Box

Ref.	Part No.	Description
1	AS2-0006	3/4" Double GO Pin Complete Assy
2	AS2-0008	3/4" Double GO Box Complete Assy
3	KIT-2-0006	Complete Kit Assy *
4	KIT-2-0008	Complete Kit Assy *
5	CON-0004	6-32 Banana Plug
6	0.437-0001	Insulating Washer
7	000-0110	O-Rings: 110
8	BOO-0096	Insulating Sleeve
9	0.750-0071	6-32 Contact Rod
10	0.750-0027	Contact Sub Body
11	1.-0031	6-32 Contact Receptacle
12	0.500-0004	Beveled Insulating Washer
13	BOO-0034	Insulating Sleeve
14	0.750-0076	6-32 Contact Rod
15	0.750-0041	Contact Sub Body

* Does not include O-Rings



**APPLIED
ELECTRONIC
SYSTEMS**

a **Sondex** company
www.aesla.com

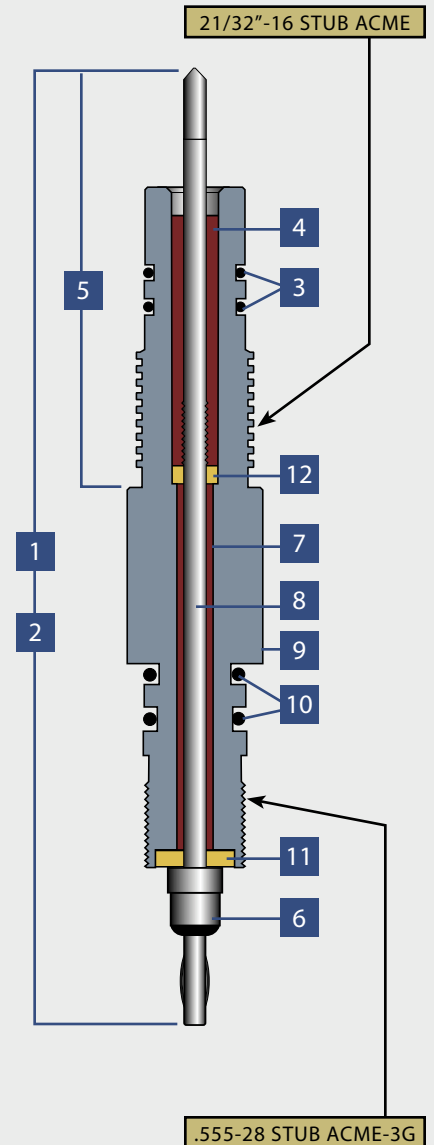
ADA0-16

ADAPTOR COMPONENTS

3/4" GO Pin to 3/4" Pipe Recovery Systems Chemical Cutter

Ref.	Part No.	Description
1	AS2-0011	3/4" GO Pin to 3/4" Pipe Recovery Systems Chemical Cutter
2	KIT-2-0011	Complete Kit Assy *
3	000-0013	O-Rings: 013
4	BOO-0032	Insulating Sleeve
5	PSA-0011	Spring Loaded Contact Assy
6	CON-0004	6-32 Banana Plug
7	BOO-0096	Insulating Sleeve
8	0.750-0072	6-32 Contact Rod 2 5/8" Lg.
9	0.750-0038	Contact Sub Body
10	000-0110	O-Rings: 110
11	0.437-0001	Insulating Washer
12	0.687-0002	Insulating Washer

* Does not include O-Rings



**APPLIED
ELECTRONIC
SYSTEMS**

a **Sondex** company

www.aesla.com

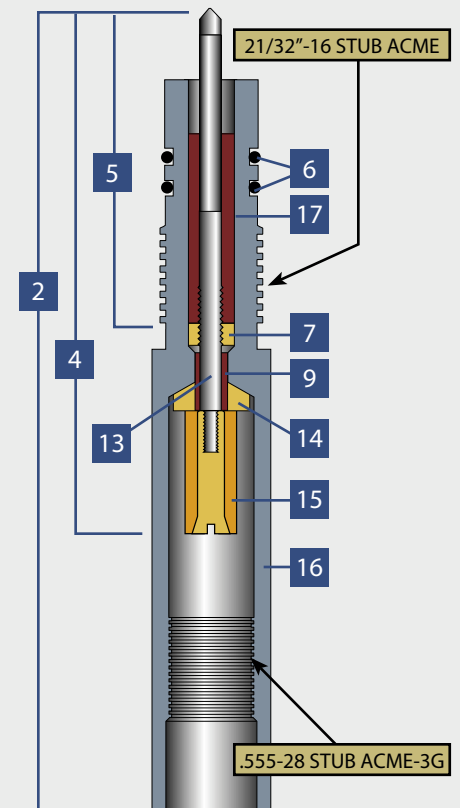
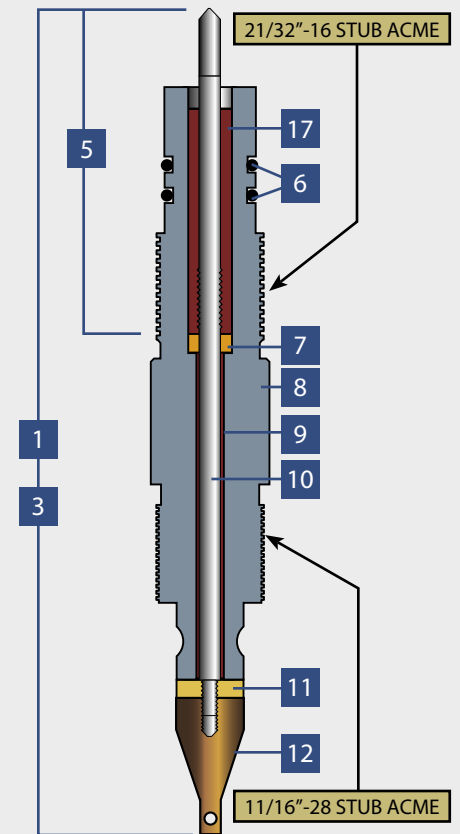
ADA0-17

ADAPTOR COMPONENTS

3/4" AES Tear Drop to 3/4" Pipe Recovery Systems Chemical Cutter & 3/4" GO Box to 3/4" Pipe Recovery Systems Chemical Cutter

Ref.	Part No.	Description
1	AS2-0012	3/4" AES Tear Drop to 3/4" Pipe Recovery Systems Chemical Cutter
2	AS2-0013	3/4" GO Box to 3/4" Pipe Recovery Systems Chemical Cutter
3	KIT-2-0012	Complete Kit Assy *
4	KIT-2-0013	Complete Kit Assy *
5	PSA-011	Contact Assembly
6	000-0013	O-Rings: 013
7	0.687-0002	Insulating Washer
8	0.750-0046	Contact Sub Body
9	BOO-0096	Insulating Sleeve
10	0.750-0072	6-32 Contact Rod
11	0.437-0001	Insulating Sleeve
12	0.750-0029	6-32 Cone Nut
13	0.750-0073	6-32 Contact Rod
14	0.500-0004	Insulating Washer
15	1.-0031	6-32 Contact
16	0.750-0067	Contact Sub Body
17	BOO-0032	Insulating Sleeve

* Does not include O-Rings



**APPLIED
ELECTRONIC
SYSTEMS**

a **Sondex** company
www.aesla.com

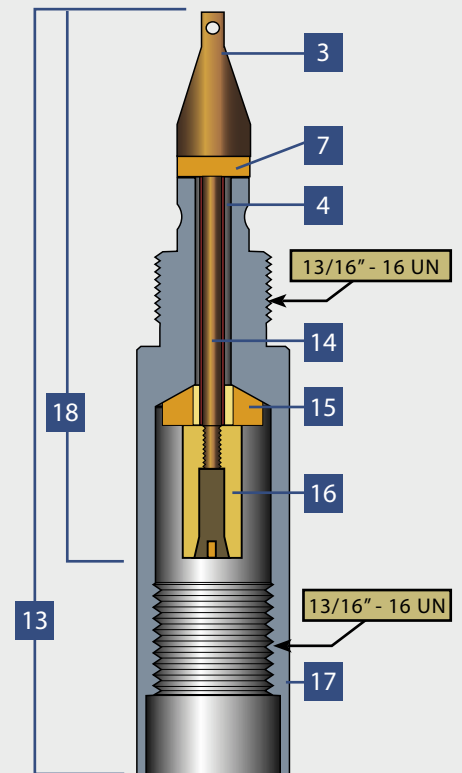
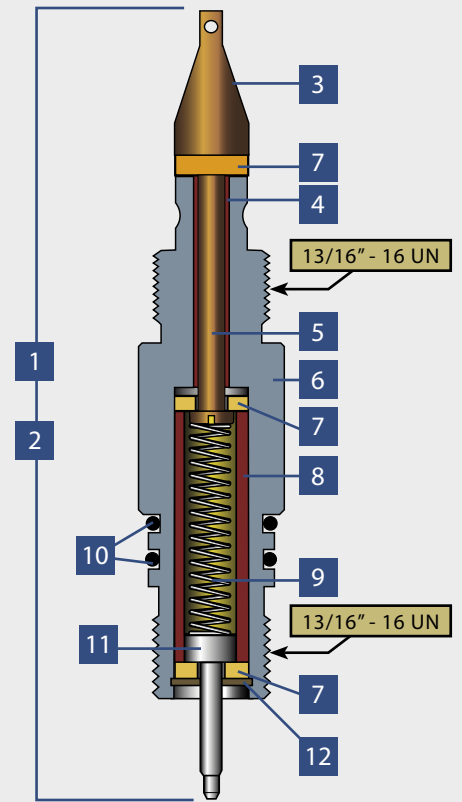
ADA0-18

ADAPTOR COMPONENTS

1" AES Tear Drop to 1" GO Pin & 1" AES Tear Drop to 1" GO Box

Ref.	Part No.	Description
1	AS3-0001	AES 1" Tear Drop to 1" GO Pin Complete Assy
2	KIT-3-0001	Complete Kit Assy *
3	1.375-0030	10-32 Cone Nut
4	BOO-0032	Insulating Sleeve
5	HOO-0095	Contact Thru Rod
6	1.-0050	Contact Sub Body
7	1.-0041	Insulating Washer
8	1.-0042	Contact Insulator
9	1.-0037	Contact Spring
10	000-0115	O-Rings: 115
11	1.-0033	Contact Plunger
12	HOO-0065	Retainer Ring
13	AS3-0036	1" AES Tear Drop To 1" GO Box Assy
14	1.375-0451	10-32 Contact Rod
15	1.-0086	Beveled Insulating Washer
16	1.-0087-B	10-32 Contact Receptacle
17	1.-0222	Contact Sub Body
18	KIT-3-0036	Complete Kit Assy *

* Does not include O-Rings



**APPLIED
ELECTRONIC
SYSTEMS**

a **Sondex** company
www.aesla.com

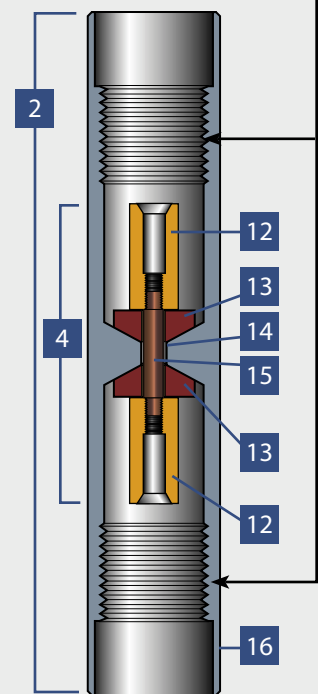
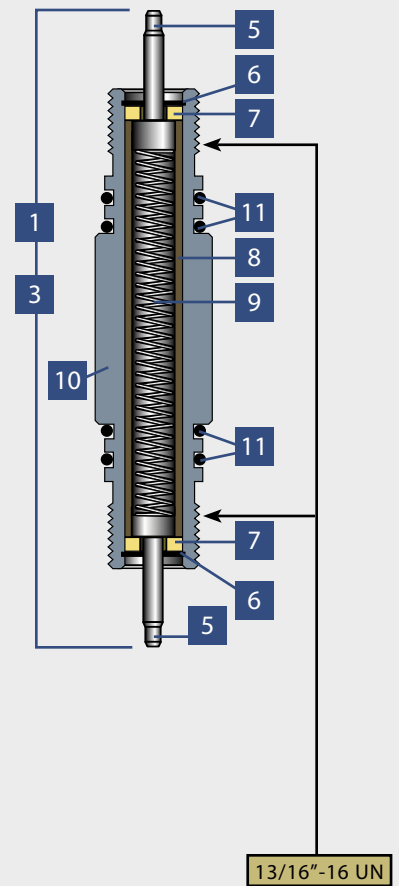
ADA0-20

ADAPTOR COMPONENTS

1" GO Double Pin & 1" GO Double Box

Ref.	Part No.	Description
1	AS3-0005	1" GO Double Pin Complete Assy
2	AS3-0018	1" GO Double Box Complete Assy
3	KIT-3-0005	Complete Kit Assy *
4	KIT-3-0018	Complete Kit Assy *
5	1.-0033	Contact Plunger
6	HOO-0065	Retainer Ring
7	1.-0041	Insulating Washer
8	1.-0028	Contact Insulator
9	1.-0037-1	Contact Spring
10	1.-0062	Contact Sub Body
11	000-0015	O-Rings: 015
12	1.-0087-B	10-32 Contact Receptacle
13	1.-0086	Beveled Insulating Washer
14	BOO-0032	Insulating Sleeve
15	1.375-0433	10-32 Contact Rod
16	1.-0103	Contact Sub Body

* Does not include O-Rings



**APPLIED
ELECTRONIC
SYSTEMS**

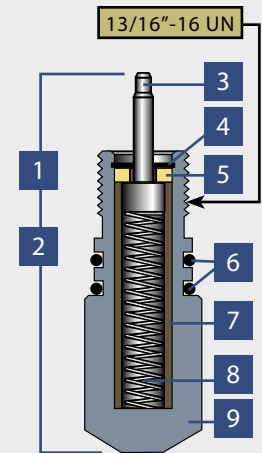
a **Sondex** company
www.aesla.com

ADAPTOR COMPONENTS

1" GO Bull Plug

Ref.	Part No.	Description
1	AS3-0006	1" GO Bull Plug Complete Assy
2	KIT-3-0006	Complete Kit Assy *
3	1.-0033	Contact Plunger
4	HOO-0065	Retainer Ring
5	1.-0041	Insulating Washer
6	000-0015	O-Rings: 015
7	1.0042	Contact Insulator
8	1.-0037	Contact Spring
9	1.-0030	Contact Sub Body

* Does not include O-Rings



**APPLIED
ELECTRONIC
SYSTEMS**

a **Sondex** company
www.aesla.com

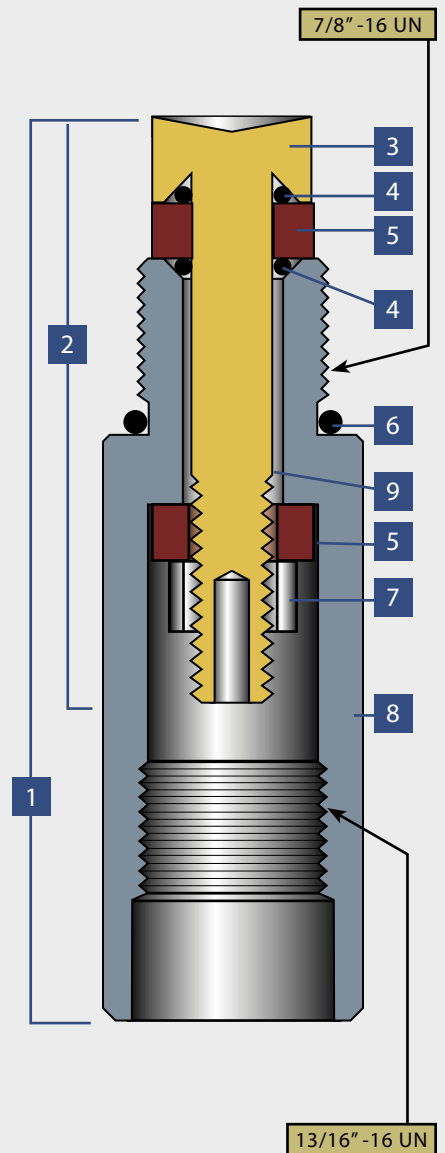
ADA0-22

ADAPTOR COMPONENTS

1" GO Firing Sub

Ref.	Part No.	Description
1	AS3-0007	1" GO Firing Sub Assy
2	KIT-3-0007	Complete Kit Assy *
3	1.-0029	Firing Sub Contact
4	000-0110	O-Rings: 110
5	1.-0129	Insulating Washer
6	000-0210	O-Rings: 210
7	HOO-0138	3/8"-16 Hex Nut
8	1.-0127	Contact Sub Body
9	BOO-0097	Insulating Sleeve

* Does not include O-Rings



**APPLIED
ELECTRONIC
SYSTEMS**

a **Sondex** company
www.aesla.com

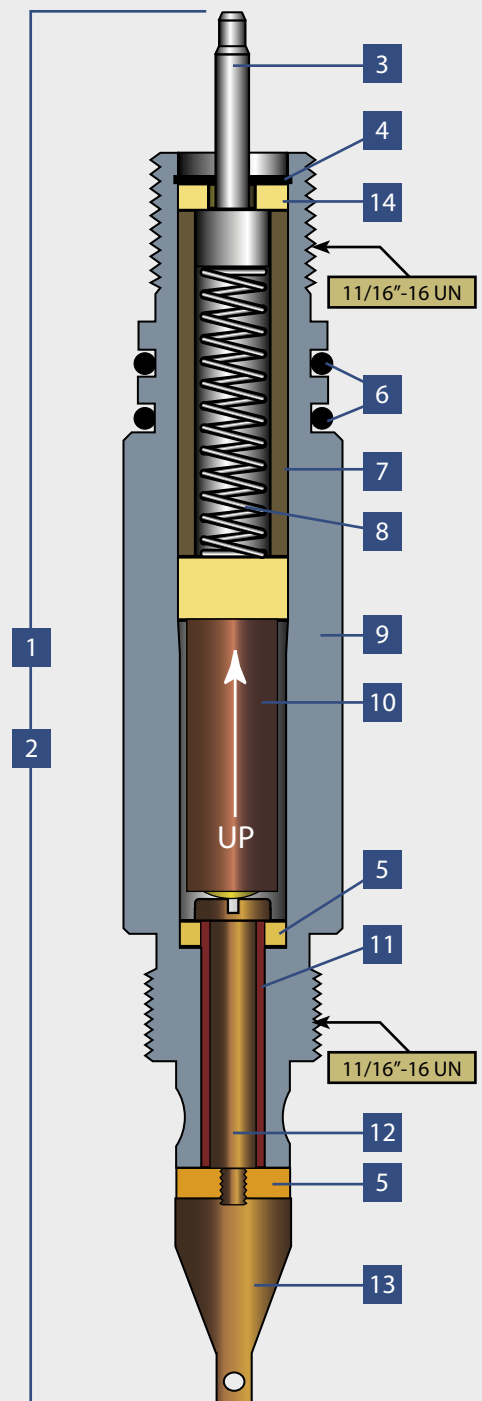
ADA0-23

ADAPTOR COMPONENTS

1" AES Combination Diode Sub

Ref.	Part No.	Description
1	AS3-0022	1" AES Combination Diode Sub Complete Assy
2	KIT-3-0022	Complete Kit Assy *
3	1.-0033	Contact Plunger
4	HOO-0181	Retainer Ring
5	0.500-0005HT	Insulating Washer
6	000-0115-95	O-Rings: 115
7	1.-0235	Contact Insulator
8	1.-0037	Contact Spring
9	1.-0051	Contact Sub Body
10	PSA-029	Diode Cartridge Assembly (47 OHM)
11	BOO-0032	Insulating Sleeve
12	HOO-0096	Contact Rod
13	1.375-0030	10-32 Cone Nut
14	1.-0234	Insulating Washer

* Does not include O-Rings



**APPLIED
ELECTRONIC
SYSTEMS**

a **Sondex** company
www.aesla.com

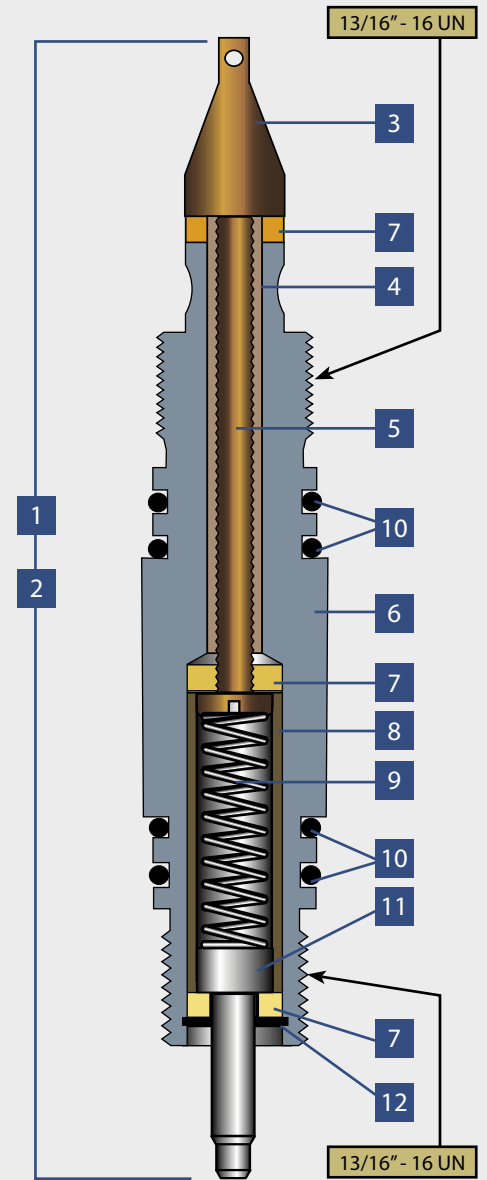
ADA0-24

ADAPTOR COMPONENTS

1" Double Sealed Tear Drop

Ref.	Part No.	Description
1	AS3-0042	1" Double Sealed Tear Drop Complete Assy
2	KIT-3-0042	Complete Kit Assy *
3	1.375-0030	10-32 Cone Nut
4	BOO-0032	Insulating Sleeve
5	HOO-0252	10-32 Pan Head Screw 3" Lg.
6	3446	Double Sealed Tear Drop Body
7	1.-0041	Insulating Washer
8	1.-0042	Contact Insulator
9	1.-0037	Contact Spring
10	000-0115	O-Rings: 115
11	1.-0033	Contact Plunger
12	HOO-0065	Retainer Ring

* Does not include O-Rings



**APPLIED
ELECTRONIC
SYSTEMS**

a **Sondex** company
www.aesla.com

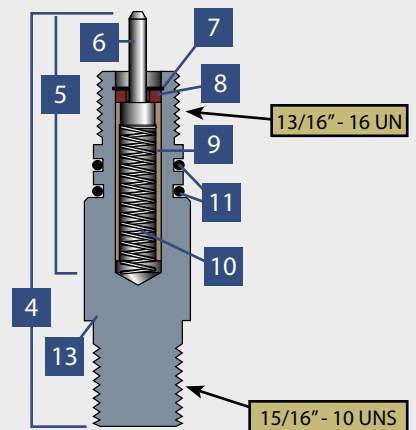
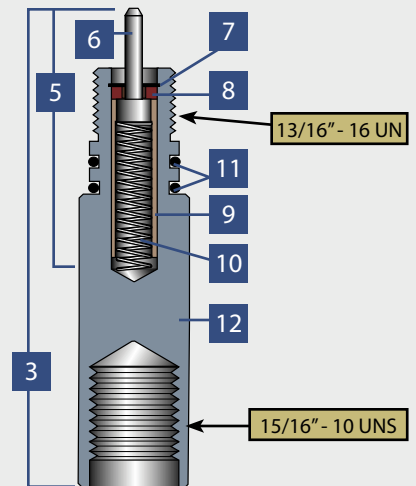
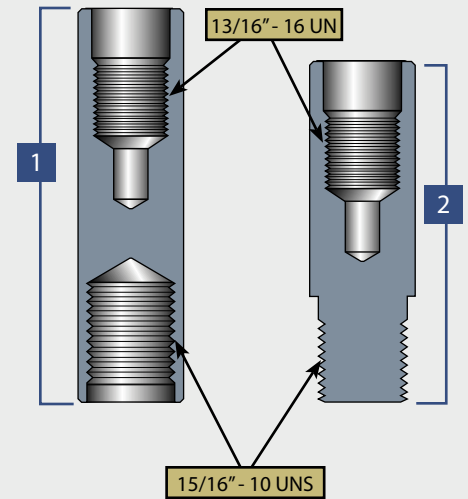
ADA0-25

ADAPTOR COMPONENTS

- 5/8" Sucker Rod Box to 1" GO Box
- 5/8" Sucker Rod Pin to 1" GO Box
- 5/8" Sucker Rod Box to 1" GO Pin
- 5/8" Sucker Rod Pin to 1" GO Pin

Ref.	Part No.	Description
1	AS3-0019	5/8" Sucker Rod Box to 1" GO Box
2	AS3-0020	5/8" Sucker Rod Pin to 1" GO Box
3	AS3-0021	5/8" Sucker Rod Box to 1" GO Pin Assy
4	AS3-0026	5/8" Sucker Rod Pin to 1" GO Pin Assy
5	KIT-3-0001	Complete Kit Assembly *
6	1.-0033	Contact Plunger
7	HOO-0065	Retainer Ring
8	1.-0041	Insulating Washer
9	1.-0042	Contact Insulator
10	1.-0037	Contact Spring
11	000-0115	O-Rings: 115
12	1.-0113	Crossover Sub Body
13	1.-0209	Crossover Sub Body

* Does not include O-Rings



**APPLIED
ELECTRONIC
SYSTEMS**

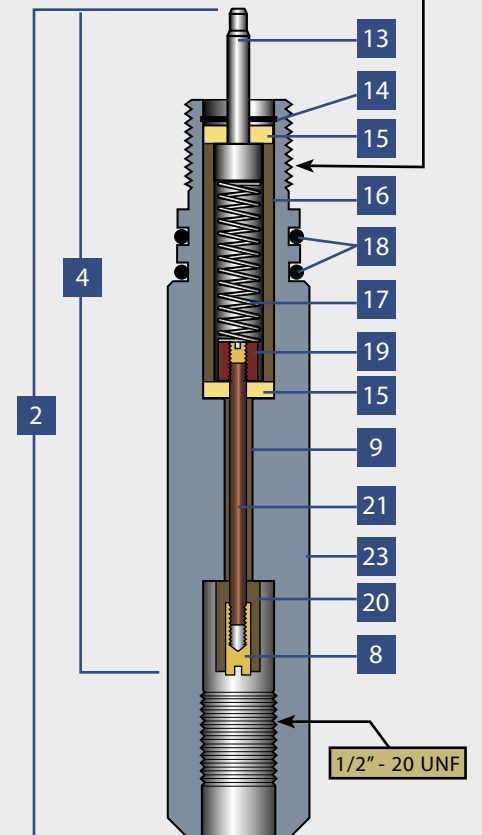
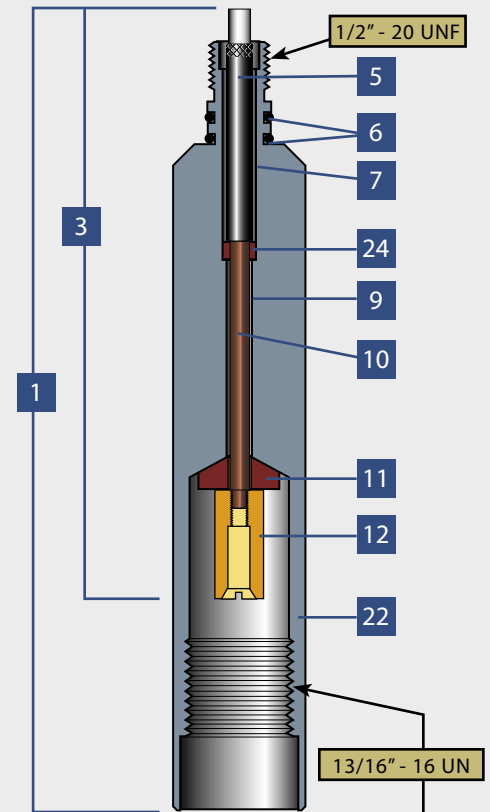
a **Sondex** company
www.aesla.com

ADAPTOR COMPONENTS

11/16" AES Pin To 1" GO Box & 11/16" AES Box to 1" GO Pin

Ref.	Part No.	Description
1	AS0-0010	AES 11/16" Pin to 1" GO Box Assy
2	AS3-0034	AES 11/16" Box to 1" GO Pin Assy
3	KIT-0-0010	Complete Kit Assy *
4	KIT-3-0034	Complete Kit Assy *
5	CON-0011	Spring Loaded Contact
6	000-0012	O-Rings: 0012
7	BOO-0032	Insulating Sleeve
8	0.687-0072	6-32 Contact
9	BOO-0096	Insulating Sleeve
10	1.-0186	6-32 Contact Rod
11	1.-0086	Beveled Insulating Washer
12	1.-0031	6-32 Contact Receptacle
13	1.-0033	Contact Plunger
14	HOO-0065	Retainer Ring
15	1.-0041	Insulating Washer
16	1.-0042	Contact Insulator
17	1.-0037	Contact Spring
18	000-0115	O-Rings: 115
19	1.-0040	6-32 Spacer Contact
20	0.687-0003	Contact Insulator
21	0.687-0024	6-32 Contact Rod
22	1.-0130	Contact Sub Body
23	1.-0185	Contact Sub Body
24	0.687-0002	Insulating Washer

* Does not include O-Rings



**APPLIED
ELECTRONIC
SYSTEMS**

a **Sondex** company
www.aesla.com

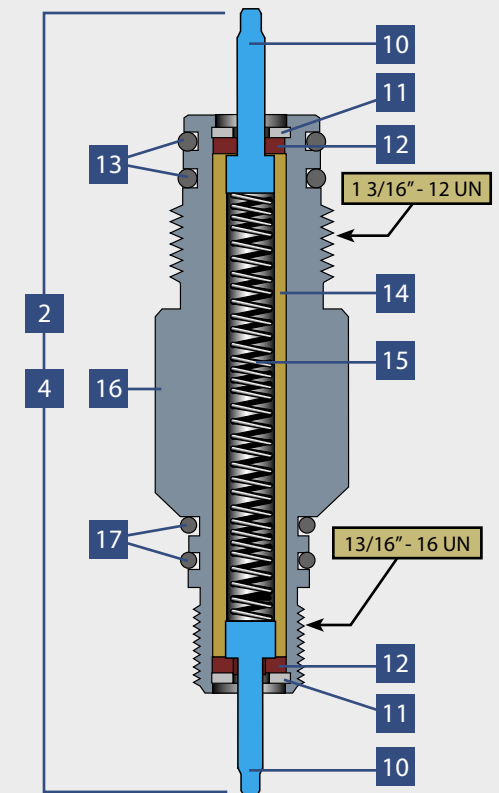
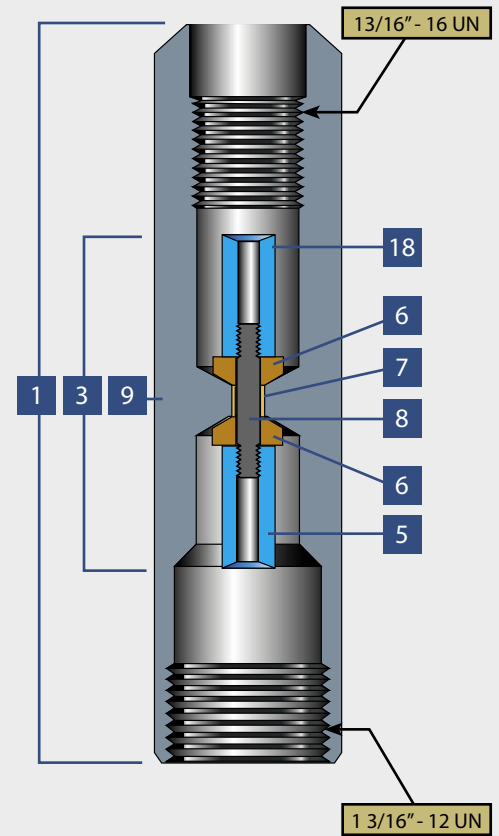
ADA0-27

ADAPTOR COMPONENTS

1" GO Box to 1 3/8" GO Box & 1" GO Pin to 1 3/8" GO Pin

Ref.	Part No.	Description
1	AS4-0030	1" GO Box to 1 3/8" GO Box Complete Assy
2	AS4-0045	1" GO Pin to 1 3/8" GO Pin Complete Assy
3	KIT-4-0030	Complete Kit Assembly *
4	KIT-3-0005	Complete Kit Assembly *
5	1.-0087-A	10-32 Contact Receptacle
6	1.-0086	Beveled Insulating Washer
7	BOO-0032	Insulating Sleeve
8	1.375-0433	10-32 Contact Rod
9	1.375-0148	Contact Sub Body
10	1.-0033	Contact Plunger
11	HOO-0065	Retainer Ring
12	1.-0041	Insulating Washer
13	000-0211	O-Rings: 211
14	1.-0028	Contact Insulator
15	1.-0037-1	Contact Spring
16	1.375-0215	Contact Sub Body
17	000-0115	O-Rings: 115
18	1.-0087-B	10-32 Contact Receptacle

* Does not include O-Rings



**APPLIED
ELECTRONIC
SYSTEMS**

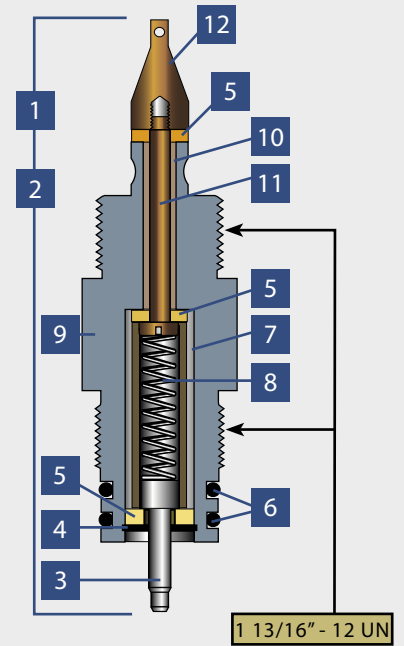
a **Sondex** company
www.aesla.com

ADAPTOR COMPONENTS

1 3/8" AES Tear Drop Sub

Ref.	Part No.	Description
1	AS4-0001	1 3/8" AES Tear Drop Sub Complete Assembly
2	KIT-4-0001	Complete Kit Assembly *
3	1.-0033	Contact Plunger
4	HOO-0065	Retainer Ring
5	1.-0041	Insulating Washer
6	000-0211	O-Rings: 211
7	1.-0042	Contact Insulator
8	1.-0037	Contact Spring
9	1.375-0027	Tear Drop Sub Body
10	BOO-0032	Insulating Sleeve
11	HOO-0095	Contact Rod
12	1.375-0030	10-32 Cone Nut

* Does not include O-Rings



**APPLIED
ELECTRONIC
SYSTEMS**

a **Sondex** company
www.aesla.com

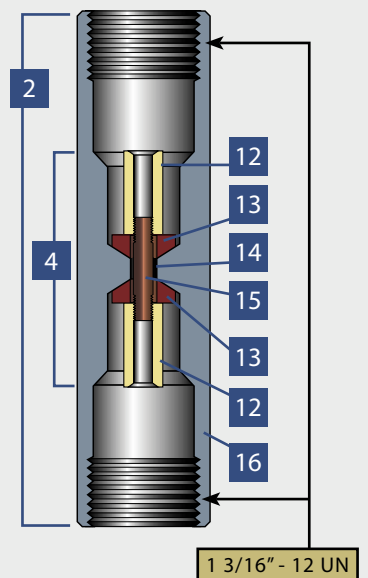
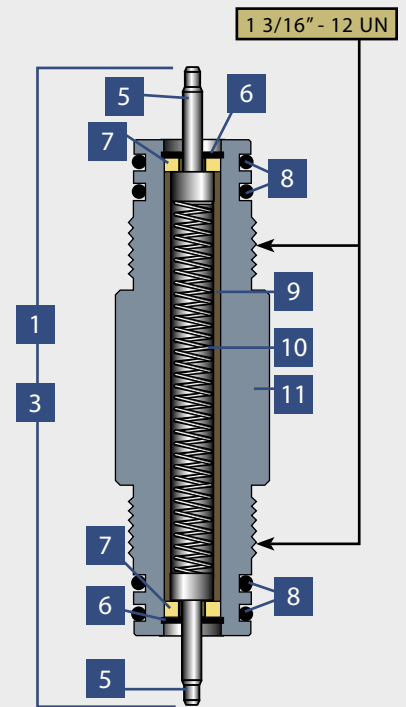
ADA0-29

ADAPTOR COMPONENTS

1 3/8" Double GO Pin Sub & 1 3/8" Double GO Box Sub

Ref.	Part No.	Description
1	AS4-0005	1 3/8" Double GO Pin Sub Complete Assy
2	AS4-0022	1 3/8" Double GO Box Sub Complete Assy
3	KIT-4-0005	Complete Kit Assy *
4	KIT-4-0022	Complete Kit Assy *
5	1.-0033	Contact Plunger
6	HOO-0065	Retainer Ring
7	1.-0041	Insulating Washer
8	000-0211	O-Rings: 211
9	1.-0028	Contact Insulator
10	1.-0037-1	Contact Spring
11	1.375-0079	Contact Sub Body
12	1.-0087A	10-32 Contact Receptacle
13	1.-0086	Beveled Insulating Washer
14	BOO-0032	Insulating Sleeve
15	1.375-0433	Contact Rod
16	1.375-0541	Contact Sub Body

* Does not include O-Rings



**APPLIED
ELECTRONIC
SYSTEMS**

a **Sondex** company
www.aesla.com

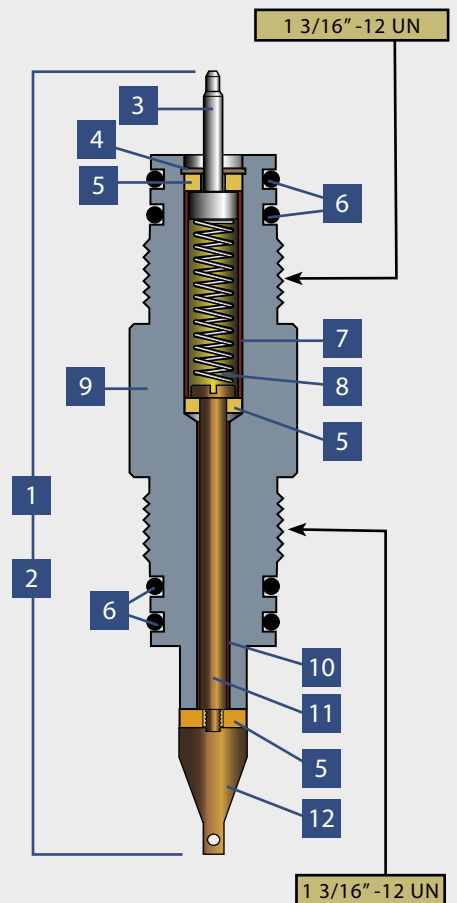
ADA0-30

ADAPTOR COMPONENTS

1 3/8" Double Sealed Tear Drop

Ref.	Part No.	Description
1	AS4-0027	AES 1 3/8" Double Sealed Tear Drop Complete Assy
2	KIT-4-0027	Complete Kit Assy *
3	1.-0033	Contact Plunger
4	HOO-0065	Retainer Ring
5	1.-0041	Insulating Washer
6	000-0211	O-Rings: 211
7	1.-0042	Contact Insulator
8	1.-0037	Contact Spring
9	1.375-0170	1 3/8" Contact Sub Body
10	BOO-0032	Insulating Sleeve
11	HOO-252	Contact Rod
12	1.375-0030	10-32 Cone Receptacle

* Does not include O-Rings



**APPLIED
ELECTRONIC
SYSTEMS**

a **Sondex** company

www.aesla.com

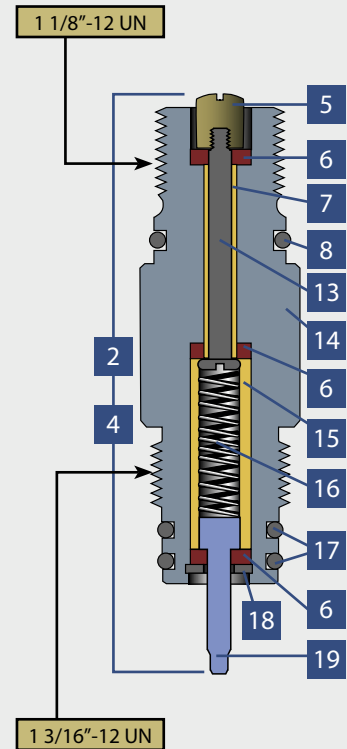
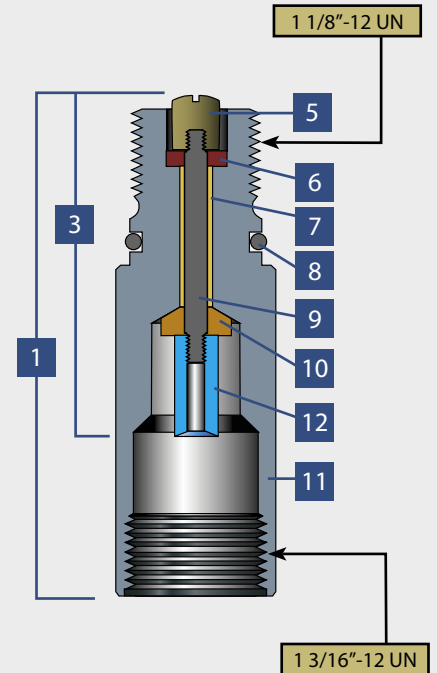
ADA0-31

ADAPTOR COMPONENTS

1 3/8" Atlas Pin To 1 3/8" GO Box & 1 3/8" Atlas Pin To 1 3/8" GO Pin

Ref.	Part No.	Description
1	AS4-0021	1 3/8" Atlas Pin to 1 3/8" GO Box Assy
2	AS4-0008	1 3/8" Atlas Pin to 1 3/8" GO Pin Assy
3	KIT-4-0021	Complete Kit Assembly *
4	KIT-4-0008	Complete Kit Assembly *
5	1.375-0120	Atlas Contact
6	1.-0041	Insulating Washer
7	BOO-0032	Insulating Sleeve
8	000-0213	O-Rings: 213
9	1.375-451	10-32 Contact Rod 1 7/8" Lg.
10	1.-0086	Beveled Insulating Washer
11	1.375-0038	Contact Sub Assembly
12	1.-0087-A	10-32 Contact Receptacle
13	HOO-0095	10-32 Contact Rod
14	1.-375-0119	Contact Sub Body
15	1.-0042	Contact Insulator
16	1.-0037	Contact Spring
17	000-0211	O-Rings: 211
18	HOO-0065	Retainer Ring
19	1.-0033	Contact Plunger

* Does not include O-Rings



**APPLIED
ELECTRONIC
SYSTEMS**

a **Sondex** company
www.aesla.com

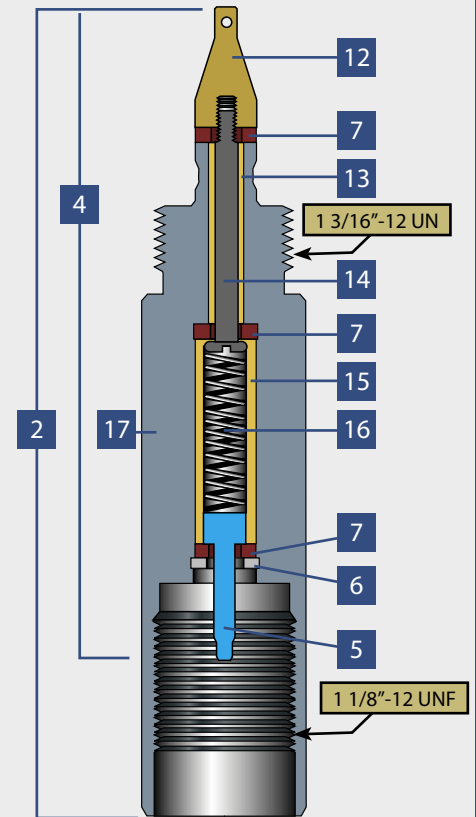
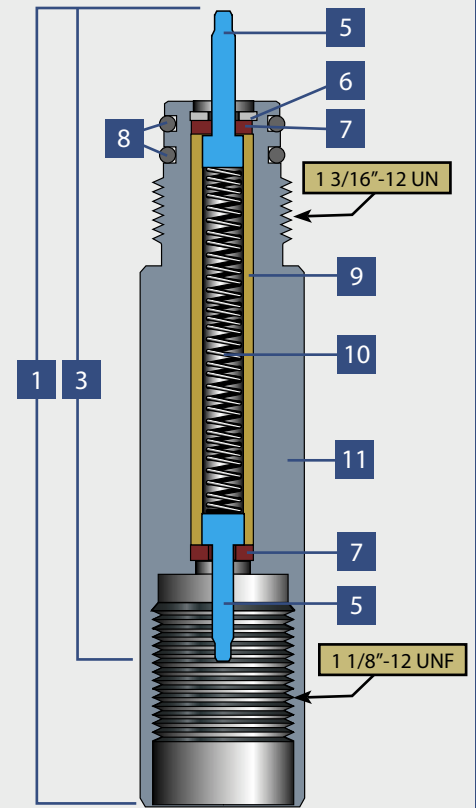
ADA0-32

ADAPTOR COMPONENTS

1 3/8" Atlas Box To 1 3/8" GO Pin & 1 3/8" Tear Drop To 1 3/8" Atlas Box

Ref.	Part No.	Description
1	AS4-0010	1 3/8" Atlas Box to 1 3/8" GO Pin Assy
2	AS4-0011	1 3/8" Tear Drop to 1 3/8" Atlas Box Assy
3	KIT-4-0010	Complete Kit Assembly *
4	KIT-4-0011	Complete Kit Assembly *
5	1.-0033	Contact Plunger
6	HOO-0065	Retainer Ring
7	1.-0041	Insulating Washer
8	000-0211	O-Rings: 211
9	1.-0124	Contact Insulator
10	1.-0037-1	Contact Spring
11	1.375-0114	Contact Sub Body
12	1.375-0030	10-32 Cone Nut
13	BOO-0032	Insulating Sleeve
14	HOO-0095	10-32 Contact Rod
15	1.-0042	Contact Insulator
16	1.-0037	Contact Spring
17	1.375-0124	Contact Sub Body

* Does not include O-Rings



**APPLIED
ELECTRONIC
SYSTEMS**

a **Sondex** company
www.aesla.com

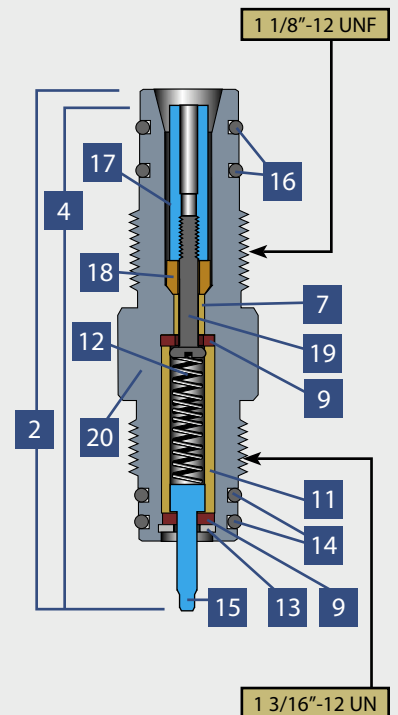
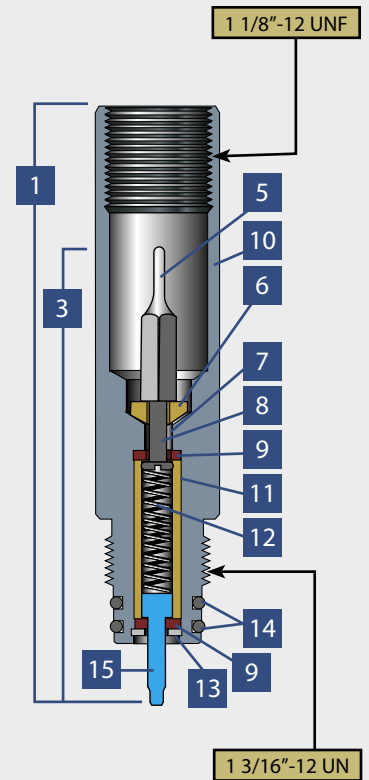
ADA0-33

ADAPTOR COMPONENTS

1 3/8" Schlumberger Box To 1 3/8" GO Pin & 1 3/8" Schlumberger Pin To 1 3/8" GO Pin

Ref.	Part No.	Description
1	AS4-0012	1 3/8" Schlumberger Box to 1 3/8" GO Pin Assy
2	AS4-0052	1 3/8" Schlumberger Pin to 1 3/8" GO Pin Assy
3	KIT-4-0012	Complete Kit Assy *
4	KIT-4-0052	Complete Kit Assy *
5	1.437-0039	10-32 Schlumberger Contact
6	1.-0086	Beveled Insulating Washer
7	BOO-0032	Insulating Sleeve
8	HOO-0097	10-32 Contact Rod
9	1.-0041	Insulating Washer
10	1.-375-0256	Contact Sub Body
11	1.-0042	Contact Insulator
12	1.-0037	Contact Spring
13	HOO-0065	Retainer Ring
14	000-0211	O-Rings: 211
15	1.-0033	Contact Plunger
16	000-0210	O-Rings: 210
17	PSA-014	Contact Assembly
18	1.375-0172	Contact Insulator
19	HOO-0137	10-32 Contact Rod
20	1.375-0220	Contact Sub Body

* Does not include O-Rings



**APPLIED
ELECTRONIC
SYSTEMS**

a **Sondex** company
www.aesla.com

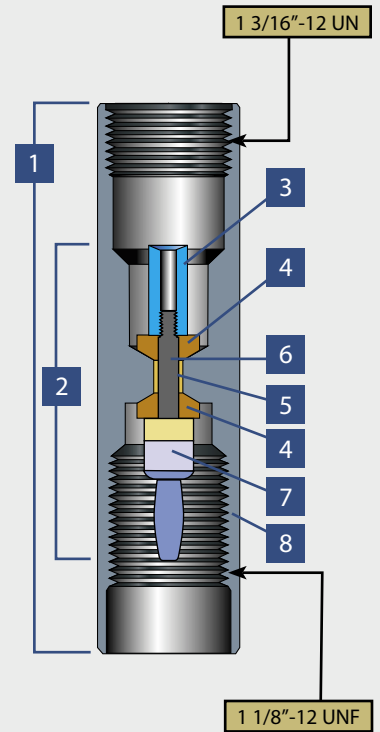
ADA0-34

ADAPTOR COMPONENTS

1 3/8" GO Box to 1 3/8" McCullough Box

Ref.	Part No.	Description
1	AS4-0013	1 3/8" GO Box to 1 3/8" McCullough Box Assy
2	KIT-4-0013	Complete Kit Assy *
3	1.-0087A	10-32 Contact Receptacle
4	1.-0086	Beveled Insulating Washer
5	BOO-0032	Insulating Sleeve
6	1.375-0432	10-32 Contact Rod
7	CON-0033	10-32 Banana Plug
8	1.375-0086	Contact Sub Body

* Does not include O-Rings



**APPLIED
ELECTRONIC
SYSTEMS**

a **Sondex** company
www.aesla.com

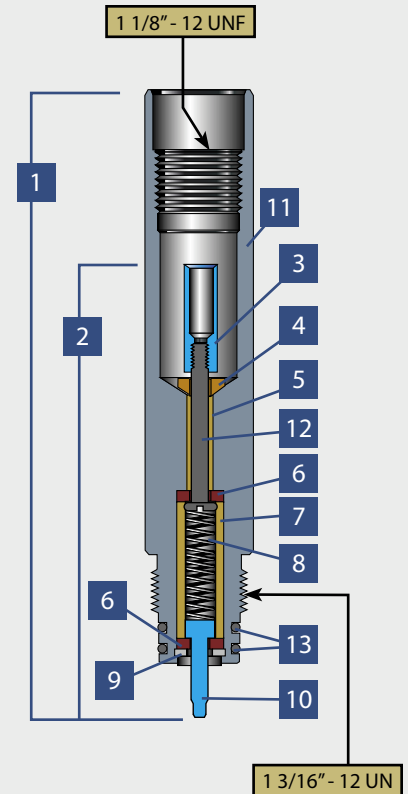
ADA0-35

ADAPTOR COMPONENTS

1 3/8" SIE Box to 1 3/8" GO Box

Ref.	Part No.	Description
1	AS4-0031	1 3/8" SIE Box to 1 3/8" GO Box Assy
2	KIT-4-0031	Complete Kit Assy *
3	1.375-0157	10-32 SIE Contact Receptacle
4	1.-0086	Beveled Insulating Washer
5	BOO-0032	Insulating Sleeve
6	1.-0041	Insulating Washer
7	1.-0042	Contact Insulator
8	1.-0037	Contact Spring
9	HOO-0065	Retainer Ring
10	1.-0033	Contact Plunger
11	1.375-0155	Contact Sub Body
12	HOO-0095	10-32 Contact Rod
13	000-0211	O-Rings: 211

* Does not include O-Rings



**APPLIED
ELECTRONIC
SYSTEMS**

a **Sondex** company

www.aesla.com

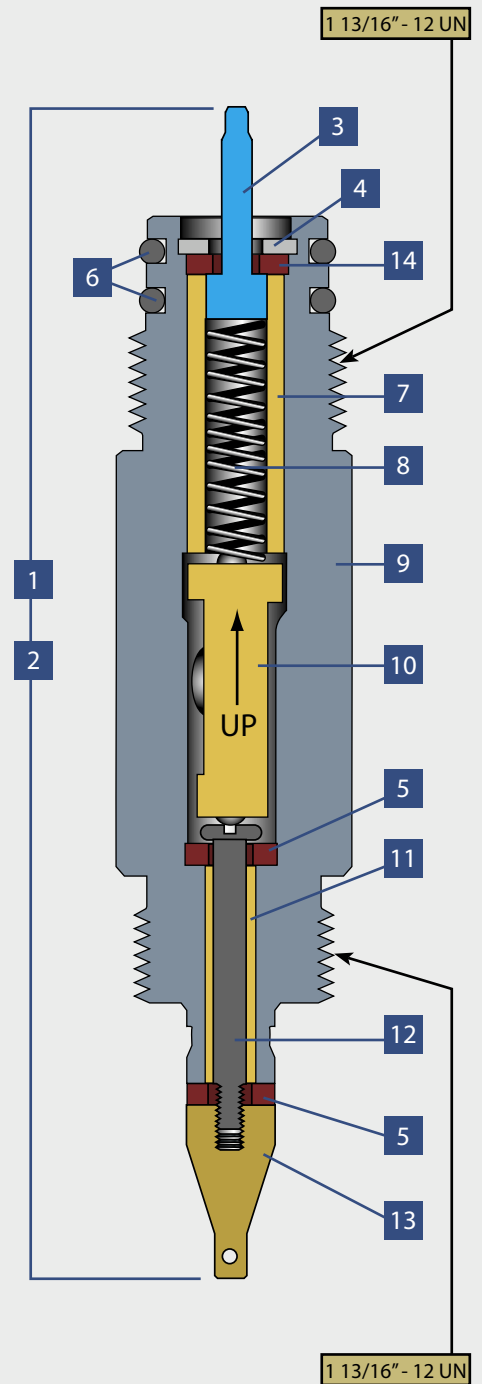
ADA0-36

ADAPTOR COMPONENTS

1 3/8" Combination Diode

Ref.	Part No.	Description
1	AS4-0035	1 3/8" Combination Diode Complete Assy
2	KIT-4-0035	Complete Kit Assy *
3	1.-0033	Contact Plunger
4	HOO-0181	Retainer Ring
5	0.500-0005HT	Insulating Washer
6	00V-0211-95	O-Rings: 211
7	1.-0235	Contact Insulator
8	1.-0037	Contact Spring
9	1.375-0026	Contact Sub Body
10	PSA-029	Diode Cartridge Assy
11	BOO-0032	Insulating Sleeve
12	HOO-0096	10-32 Contact Rod
13	1.375-0030	10-32 Cone Receptacle
14	1.-0234	Insulating Washer

* Does not include O-Rings



**APPLIED
ELECTRONIC
SYSTEMS**

a **Sondex** company
www.aesla.com

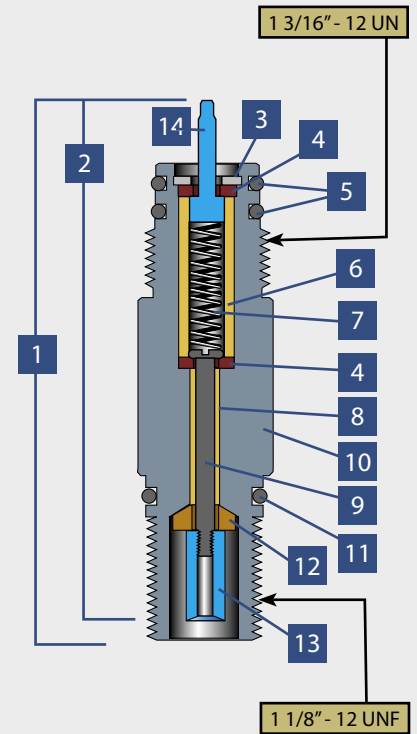
ADA0-37

ADAPTOR COMPONENTS

1 3/8" GO Pin to 1 3/8" McCullough Pin

Ref.	Part No.	Description
1	AS4-0039	1 3/8" GO Pin to 1 3/8" McCullough Pin Assy
2	KIT-4-0006	Complete Kit Assy *
3	HOO-0065	Retainer Ring
4	1.-0041	Insulating Washer
5	000-0211	O-Rings: 211
6	1.-0042	Contact Insulator
7	1.-0037	Contact Spring
8	BOO-0032	Insulating Sleeve
9	HOO-0095	10-32 Contact Rod
10	1.375-0186	Contact Sub Body
11	000-0213	O-Rings: 213
12	1.-0086	Beveled Insulating Washer
13	1.375-0102	10-32 Contact Recptacle
14	1.-0033	Contact Plunger

* Does not include O-Rings



**APPLIED
ELECTRONIC
SYSTEMS**

a **Sondex** company

www.aesla.com

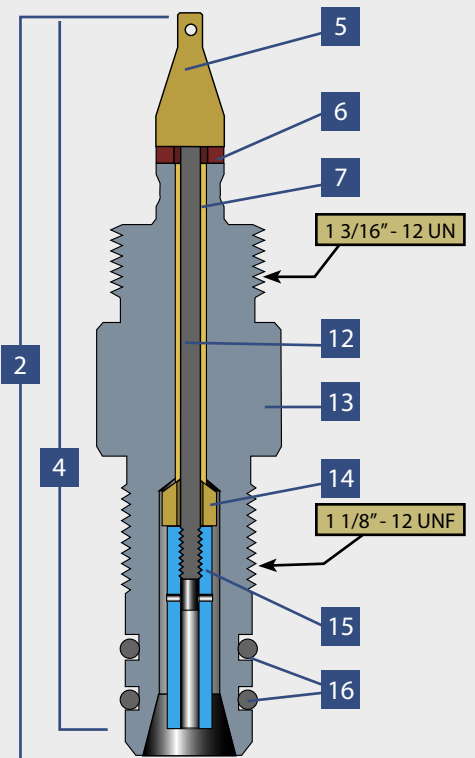
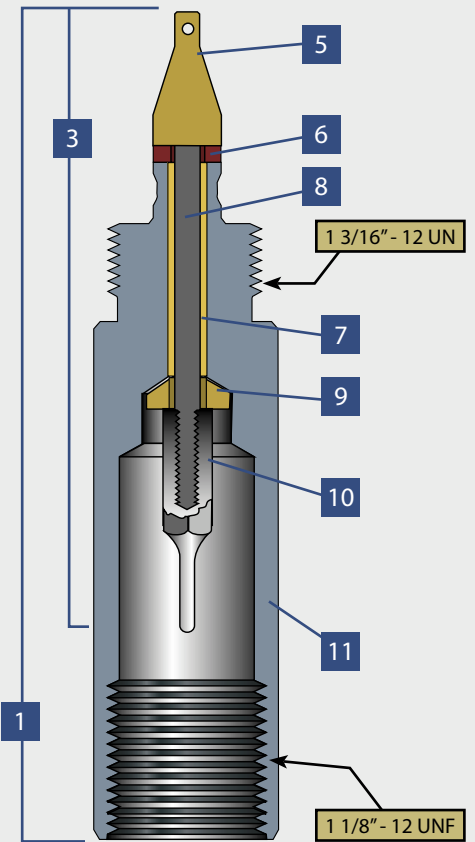
ADA0-38

ADAPTOR COMPONENTS

1 3/8" Schlumberger Box To 1 3/8" Tear Drop & 1 3/8" Schlumberger Pin To 1 3/8" Tear Drop

Ref.	Part No.	Description
1	AS4-0048	1 3/8" Schlumberger Box to 1 3/8" Tear Drop Sub Assy
2	AS4-0049	1 3/8" Schlumberger Pin to 1 3/8" Tear Drop Sub Assy
3	KIT-4-0048	Complete Kit Assy *
4	KIT-4-0049	Complete Kit Assy *
5	1.375-0030	10-32 Cone Nut
6	1.-0041	Insulating Washer
7	BOO-0032	Insulating Sleeve
8	1.375-0436	10-32 Contact Rod
9	1.-0086	Beveled Insulating Washer
10	1.437-0039	Contact Plunger
11	1.375-0218	Contact Sub Body
12	1.375-0219	10-32 Contact Rod
13	1375-0219	Contact Sub Body
14	1.375-0172	Contact Insulator
15	PSA-014	Pre-Sub Assembly Contact
16	000-0210	O-Rings: 210

* Does not include O-Rings



**APPLIED
ELECTRONIC
SYSTEMS**

a **Sondex** company
www.aesla.com

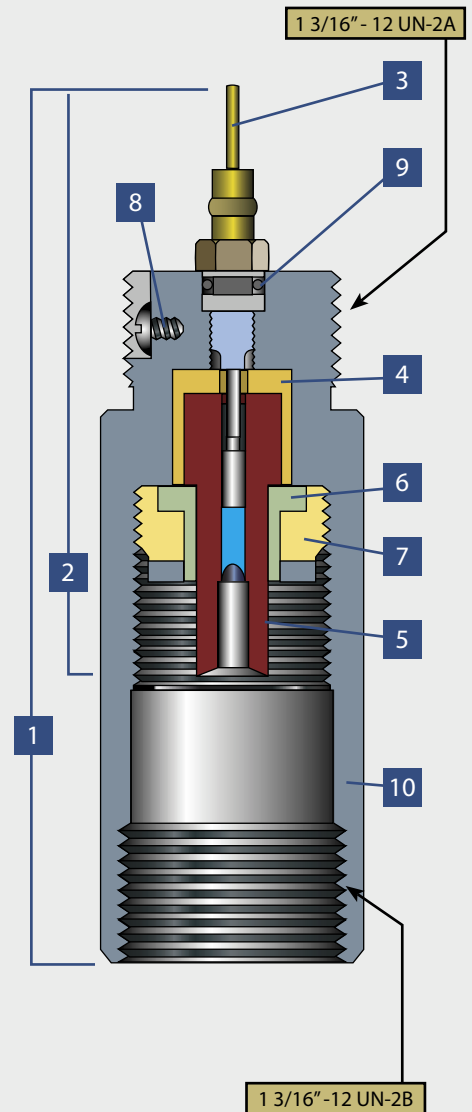
ADA0-39

ADAPTOR COMPONENTS

1 3/8" GO Box/Tear Drop With Pressure Connector & Ground Screw

Ref.	Part No.	Description
1	AS4-0103	1 3/8" GO Box / Tear Drop w/Pressure Connector & Ground Screw
2	KIT-4-0103	Complete Kit Assy *
3	CON-0012-A	Pressure Connector
4	3005	Contact Insulator
5	3006	Brass Contact
6	3007	Insulator
7	3029-1	Retainer Ring
8	HOO-0094	6-32 X 3/16 Pan Head Screw S/S
9	000-0008	O-Ring: 008
10	1.375-0515	1 3/8" GO Box / Tear Drop w/Pressure Connector

* Does not include O-Rings



**APPLIED
ELECTRONIC
SYSTEMS**

a **Sondex** company

www.aesla.com

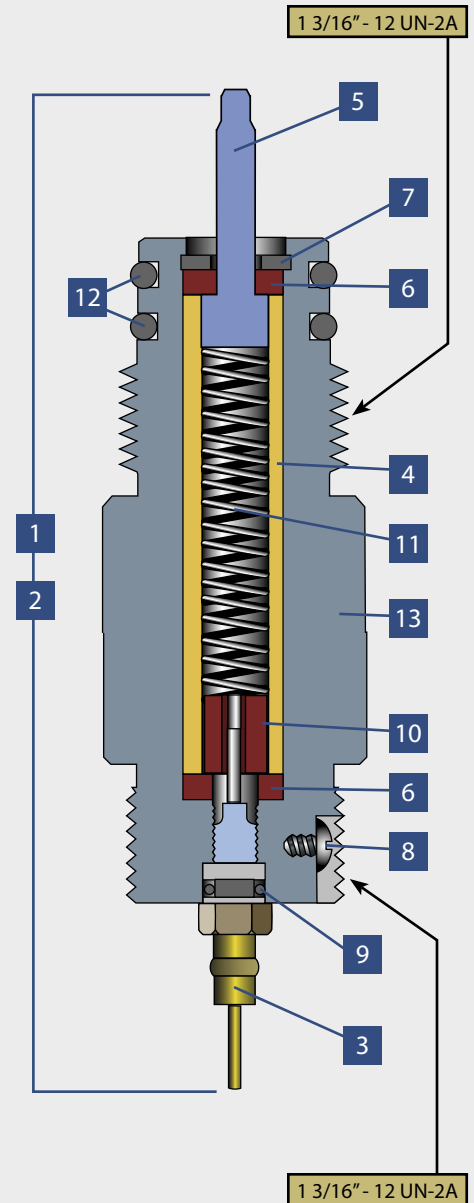
ADA0-40

ADAPTOR COMPONENTS

1 3/8" GO Pin/Tear Drop With Pressure Connector & Ground Screw

Ref.	Part No.	Description
1	AS4-0104	1 3/8" GO Pin / Tear Drop w/Pressure Connector & Ground Screw
2	KIT-4-0104	Complete Kit Assy *
3	CON-0012-A	Pressure Connector
4	2493	Contact Insulator
5	1.0033	Brass Plunger
6	1.0041	Insulator
7	HOO-0065	Retainer Ring
8	HOO-0094	6-32 X 3/16" Pan Head Screw S/S
9	000-0008	O-Ring: 008
10	PSA-024	Contact
11	1.0037	Spring
12	000-0211	O-Ring: 211
13	1.375-0516	1 3/8" Tear Drop w/Pressure Connector

* Does not include O-Rings



**APPLIED
ELECTRONIC
SYSTEMS**

a **Sondex** company
www.aesla.com

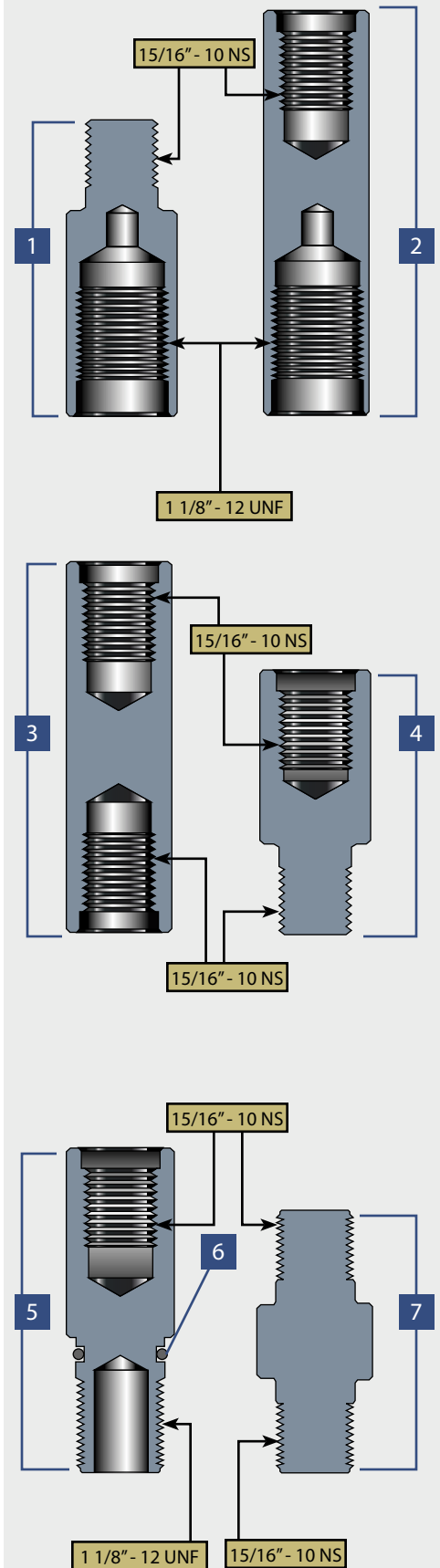
ADA0-41

ADAPTOR COMPONENTS

- 5/8" Sucker Rod Pin To 1 3/8" Atlas Box
- 5/8" Sucker Rod Box To 1 3/8" Atlas Box
- 5/8" Sucker Rod Double Box
- 5/8" Sucker Rod Box To 5/8" Sucker Rod Pin
- 5/8" Sucker Rod Box To 1 3/8" McCullough Pin
- 5/8" Double Sucker Rod Pin

Ref.	Part No.	Description
1	AS4-0028	5/8" Sucker Rod Pin to 1 3/8" Atlas Box
2	AS4-0029	5/8" Sucker Rod Box to 1 3/8" Atlas Box
3	AS4-0037	5/8" Sucker Rod Double Box
4	AS4-0038	5/8" Sucker Rod Box to 5/8" Sucker Rod Pin
5	AS4-0040	5/8" Sucker Rod Box to 1 3/8" McCullough Pin
6	000-0213	O-Rings: 213
7	AS4-0093	5/8" Double Sucker Rod Pin

Note: All sucker rod threads are 15/16 - 10 NS



**APPLIED
ELECTRONIC
SYSTEMS**

a **Sondex** company
www.aesla.com

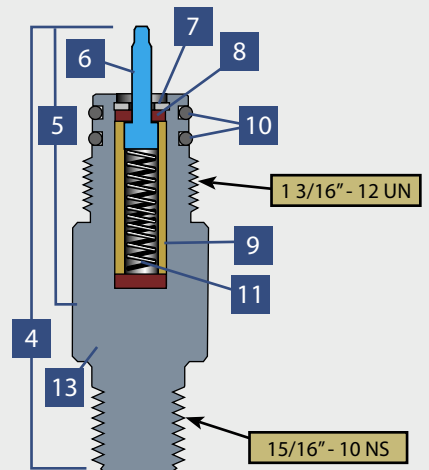
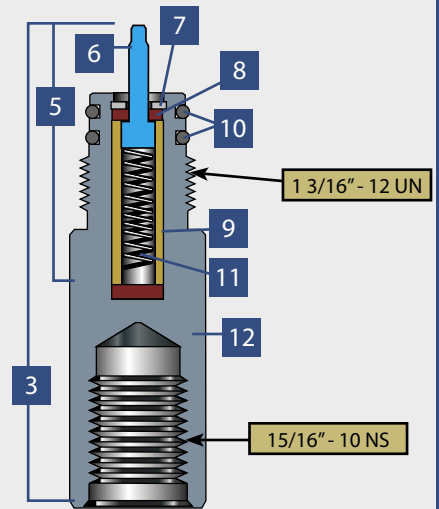
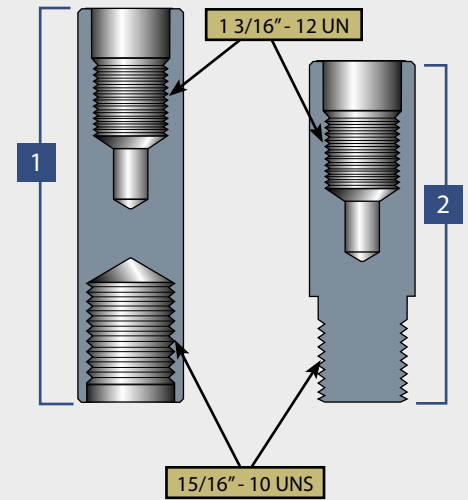
ADA0-42

ADAPTOR COMPONENTS

- 5/8" Sucker Rod Box to 1 3/8" GO Box
- 5/8" Sucker Rod Pin to 1 3/8" GO Box
- 5/8" Sucker Rod Box to 1 3/8" GO Pin
- 5/8" Sucker Rod Pin to 1 3/8" GO Pin

Ref.	Part No.	Description
1	AS4-0023	5/8" Sucker Rod Box to 1 3/8" GO Box Assembly
2	AS4-0024	5/8" Sucker Rod Pin to 1 3/8" GO Box Assembly
3	AS4-0025	5/8" Sucker Rod Box to 1 3/8" GO Pin Assembly
4	AS4-0044	5/8" Sucker Rod Pin to 1 3/8" GO Pin Assembly
5	KIT-4-0025	Complete Kit Assembly *
6	1.-0033	Contact Plunger
7	HOO-0065	Retainer Ring
8	1.-0041	Insulating Washer
9	1.-0042	Contact Insulator
10	000-0211	O-Rings: 211
11	1.-0037	Contact Spring
12	1.375-0121	Contact Sub Body
13	1.375-0214	Contact Sub Body

* Does not include O-Rings



**APPLIED
ELECTRONIC
SYSTEMS**

a **Sondex** company
www.aesla.com

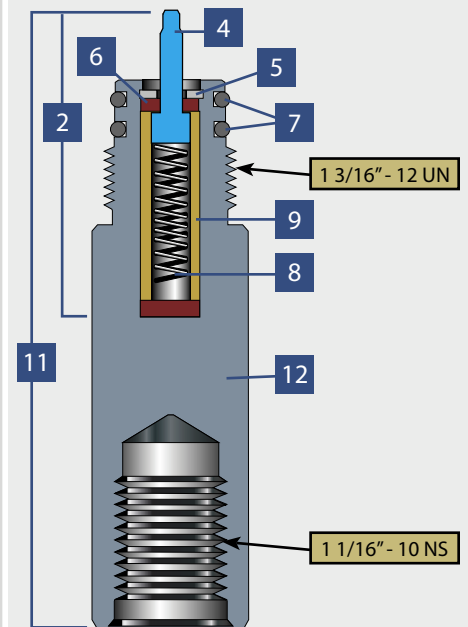
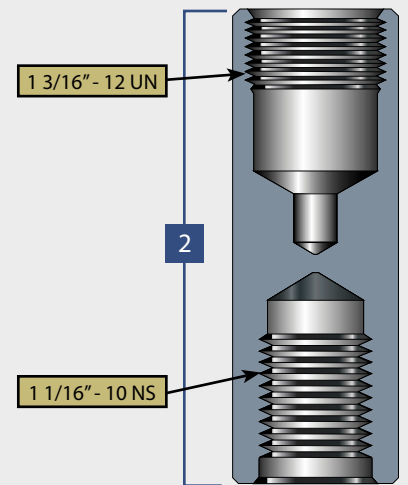
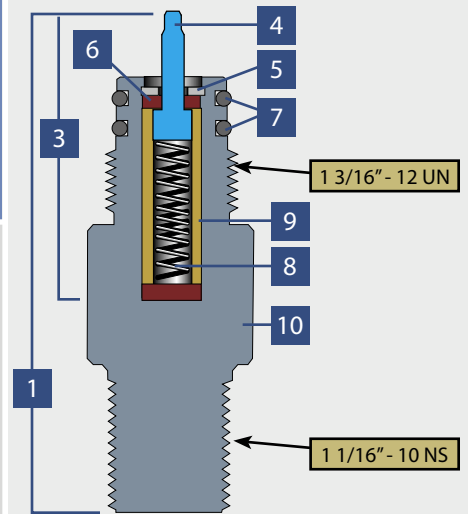
ADA0-43

ADAPTOR COMPONENTS

3/4" Sucker Rod Pin To 1 3/8" GO Pin
 3/4" Sucker Rod Box To 1 3/8" Box Pin
 3/4" Sucker Rod Box To 1 3/8" GO Pin

Ref.	Part No.	Description
1	AS8-0002	3/4" Sucker Rod Pin to 1 3/8" GO Pin Assembly
2	AS8-0003	3/4" Sucker Rod Box to 1 3/8" Box Pin Assembly
3	KIT-3-0006	Complete Kit Assembly *
4	1.-0033	Contact Plunger
5	HOO-0065	Retainer Ring
6	1.-0041	Insulating Washer
7	000-0211	O-Rings: 211
8	1.-0037	Contact Spring
9	1.-0042	Contact Insulator
10	1.500-0058	Contact Sub Body
11	AS8-0006	3/4" Sucker Rod Box to 1 3/8" GO Pin Assembly
12	1.375-0506	Contact Sub Body

*Does not include O-Rings.



**APPLIED
ELECTRONIC
SYSTEMS**

a **Sondex** company
www.aesla.com

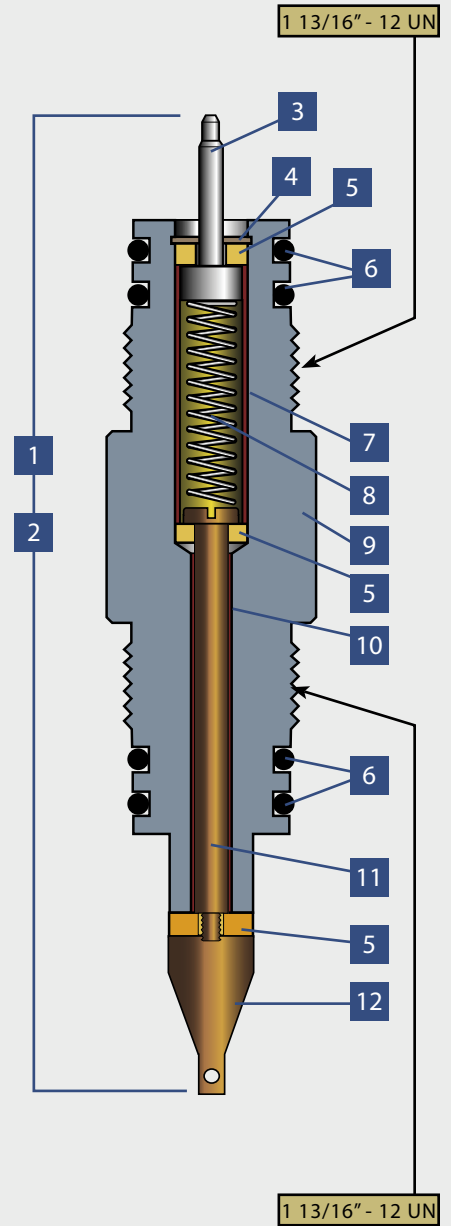
ADA0-44

ADAPTOR COMPONENTS

1 7/16" AES Double Sealed Tear Drop

Ref.	Part No.	Description
1	AS5-0028	AES 1 7/16" Double Sealed Tear Drop Complete Assy
2	KIT-4-0028	Complete Kit Assembly *
3	1.-0033	Contact Plunger
4	HOO-0065	Retainer Ring
5	1.-0041	Insulating Washer
6	000-0211	O-Rings: 211
7	1.-0042	Contact Insulator
8	1.-0037	Contact Spring
9	1.437-0111	1 7/16" Contact Sub Body
10	BOO-0032	Insulating Sleeve
11	HOO-252	Contact Rod
12	1.375-0030	10-32 Cone Receptacle

* Does not include O-Rings



**APPLIED
ELECTRONIC
SYSTEMS**

a **Sondex** company
www.aesla.com

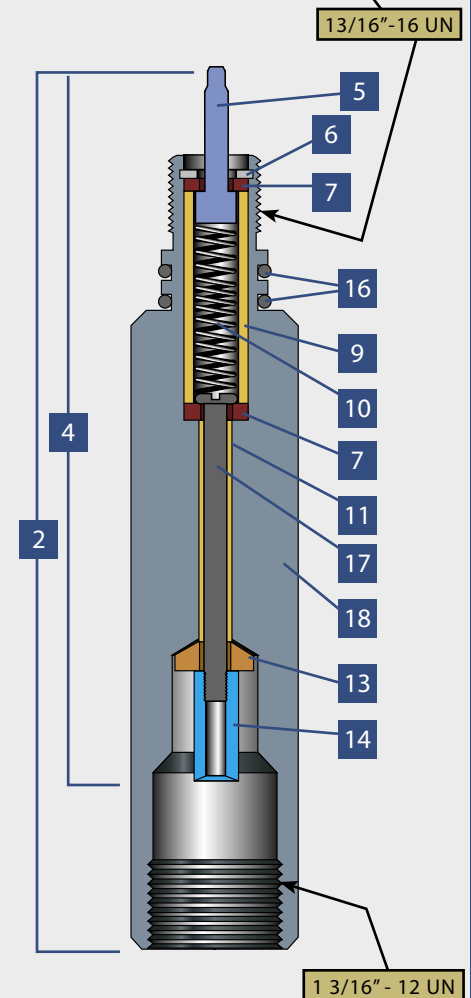
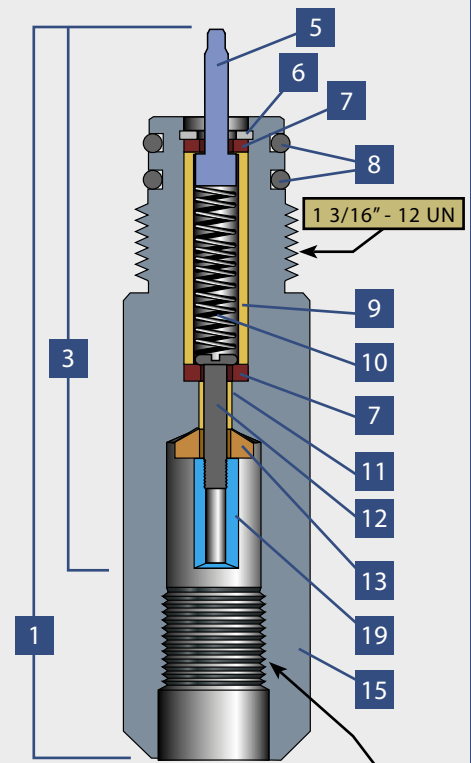
ADA0-45

ADAPTOR COMPONENTS

1 7/16" GO Pin To 1" GO Box & 1 7/16" GO Box To 1" GO Pin

Ref.	Part No.	Description
1	AS5-0001	1 7/16" GO Pin to 1" GO Box Assy
2	AS5-0007	1 7/16" GO Box to 1" GO Pin Assy
3	KIT-5-0001	Complete Kit Assy *
4	KIT-5-0007	Complete Kit Assy *
5	1.-0033	Contact Plunger
6	HOO-0065	Retainer Ring
7	1.-0041	Insulating Washer
8	000-0211	O-Ring: 211
9	1.-0042	Contact Insulator
10	1.-0037	Contact Spring
11	BOO-0032	Insulating Sleeve
12	HOO-0099	10-32 Contact Rod
13	1.-0086	Beveled Insulating Washer
14	1.-0087A	10-32 Contact Receptacle
15	1.-0066	Contact Sub Body
16	000-0115	O-Ring: 115
17	HOO-0195	10-32 Contact Rod
18	1.375-0078	Contact Sub Body
19	1.-0087-B	10-32 Contact Receptacle

* Does not include O-Rings



**APPLIED
ELECTRONIC
SYSTEMS**

a **Sondex** company
www.aesla.com

ADA0-46

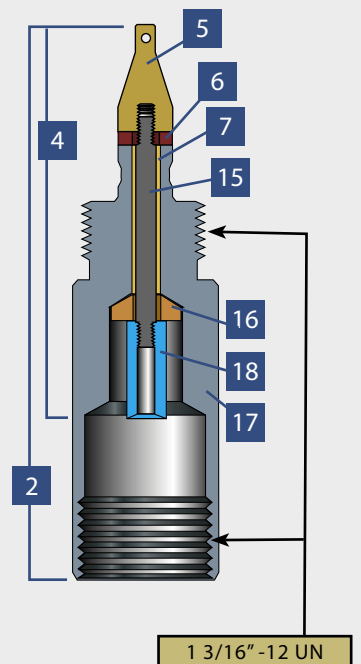
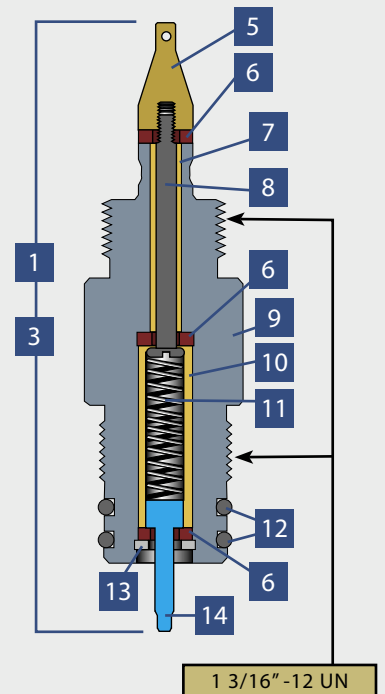
ADAPTOR COMPONENTS

1 7/16" AES Tear Drop Sub

Ref.	Part No.	Description
1	AS5-0014	AES 1 7/16" Tear Drop Sub Complete Assy**
2	AS5-0029	AES 1 7/16" Tear Drop Sub to 1 3/8" GO Box Assy
3	KIT-5-0014	Complete Kit Assy *
4	KIT-5-0029	Complete Kit Assy *
5	1.375-0030	10-32 Cone Nut
6	1.-0041	Insulating Washer
7	BOO-0032	Insulating Sleeve
8	HOO-0095	10-32 Contact Rod
9	1.437-0051	Contact Sub Body
10	1.-0042	Contact Insulator
11	1.-0037	Contact Spring
12	000-0211	O-Rings: 211
13	HOO-0065	Retainer Ring
14	1.-0033	Contact Plunger
15	1.375-0431	10-32 Contact Rod
16	1.-0086	Beveled Insulating Washer
17	1.375-0371	Contact Sub Body
18	1.-0087A	10-32 Contact Receptacle

* Does not include O-Rings

** AS5-0014 HA 1 7/16" Tear Drop High Amp



**APPLIED
ELECTRONIC
SYSTEMS**

a **Sondex** company
www.aesla.com

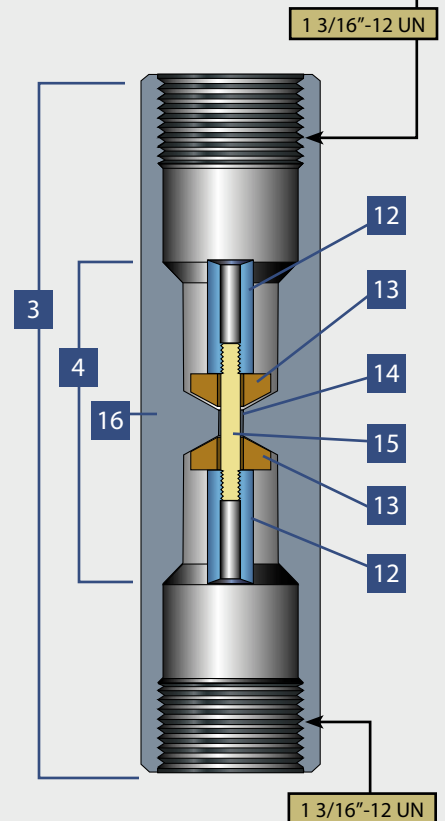
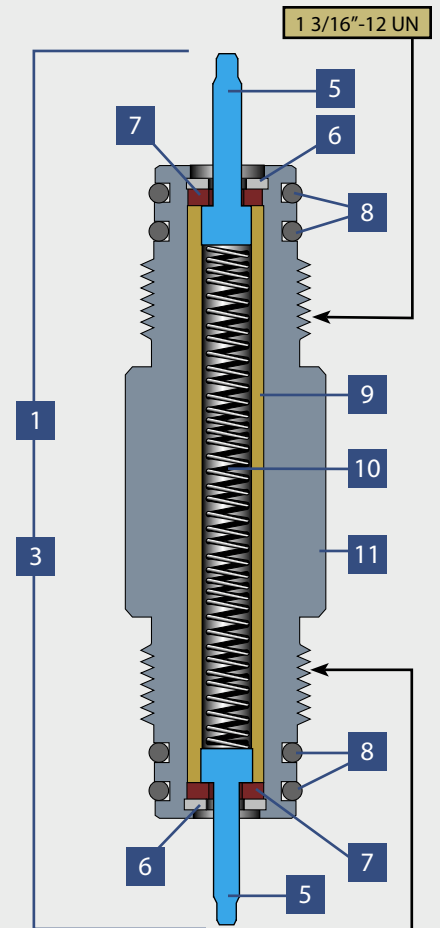
ADA0-47

ADAPTOR COMPONENTS

1 7/16" GO Double Pin & 1 7/16" GO Double Box

Ref.	Part No.	Description
1	AS5-0025	1 7/16" GO Double Pin Assy
2	AS5-0026	1 7/16" GO Double Box Assy
3	KIT-4-0005	Complete Kit Assy *
4	KIT-4-0022	Complete Kit Assly *
5	1.-0033	Contact Plunger
6	HOO-0065	Retainer Ring
7	1.-0041	Insulating Washer
8	000-0211	O-Rings: 211
9	1.-0028	Contact Insulator
10	1.-0037-1	Contact Spring
11	1.437-0051	Contact Sub Body
12	1.-0087A	10-32 Contact Receptacle
13	1.-0086	Beveled Insulating Washer
14	BOO-0032	Insulating Sleeve
15	1.375-0433	10-32 Contact Rod
16	1.437-0088	Contact Sub Body

* Does not include O-Rings



**APPLIED
ELECTRONIC
SYSTEMS**

a **Sondex** company
www.aesla.com

ADA0-48

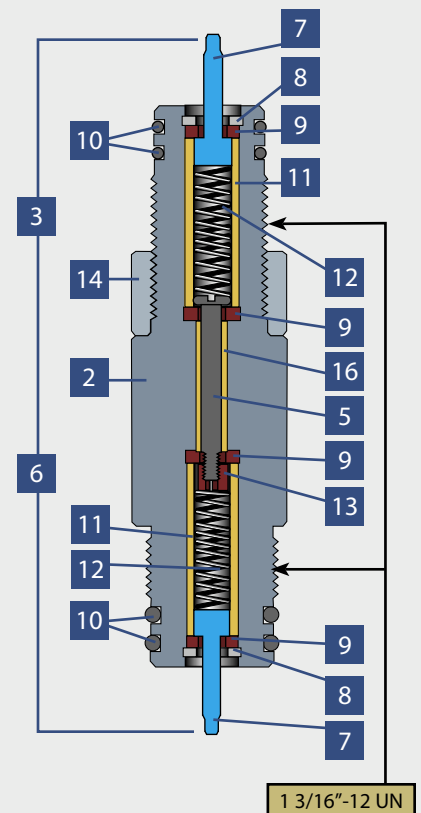
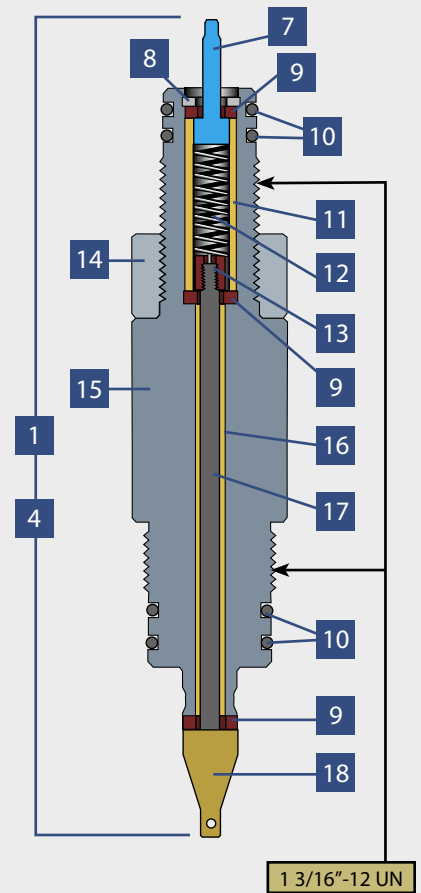
ADAPTOR COMPONENTS

1 7/16" Double Sealed Tear Drop With
Adjustment Ring

1 7/16" GO Double Pin Sub With
Adjustment Ring

Ref.	Part No.	Description
1	AS5-0030	1 7/16" Double Sealed Tear Drop w/Adjustment Ring
2	1.437-0095	Contact Sub Body
3	AS5-0031	1 7/16" GO Double Pin Sub w/Adjustment Ring
4	KIT-5-0030	Complete Kit Assy *
5	HOO-0096	Contact Sub Body
6	KIT-5-0031	Complete Kit Assy *
7	1.-0033	Contact Plunger
8	HOO-0065	Retainer Ring
9	1.-0041	Insulating Washer
10	000-0211	O-Rings: 211
11	1.-0042	Contact Insulator
12	1.-0037	Contact Spring
13	1.375-0081	10-32 Spacer Contact
14	1.437-0080	1 7/16" Adjustment Ring
15	1.437-0094	Contact Sub Body
16	BOO-0032	Insulating Sleeve
17	1.375-0249	10-32 Contact Rod
18	1.375-0030	10-32 Cone Nut

* Does not include O-Rings



**APPLIED
ELECTRONIC
SYSTEMS**

a **Sondex** company
www.aesla.com

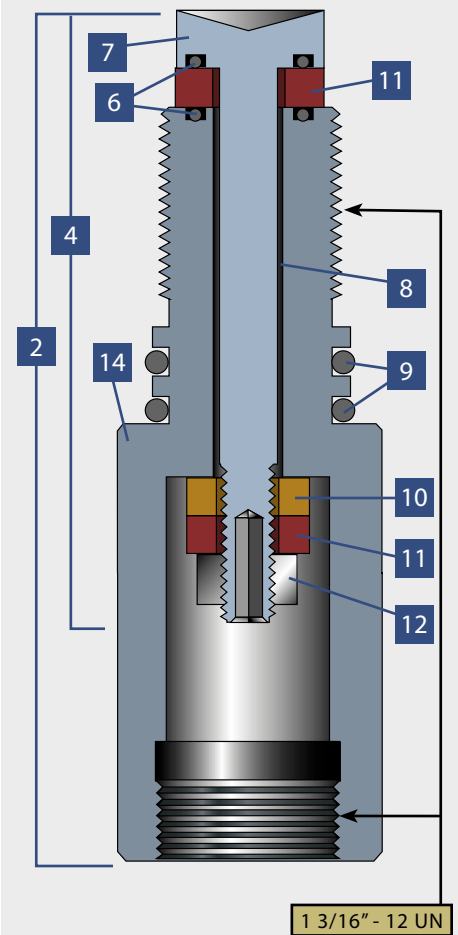
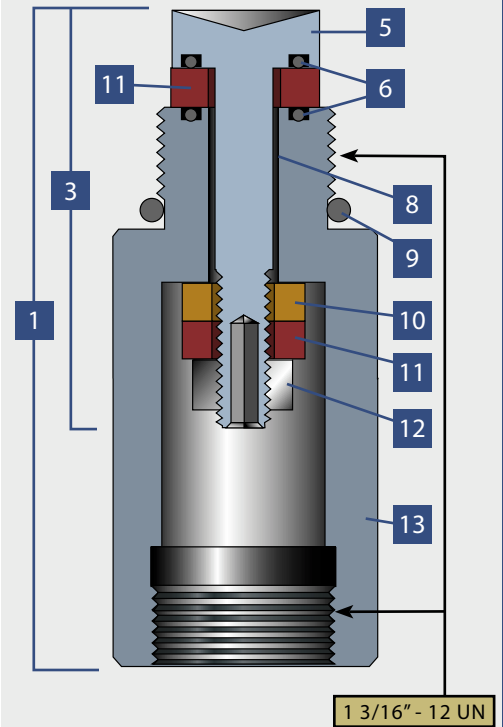
ADA0-49

ADAPTOR COMPONENTS

1 1/2" GO Low Pressure Firing Sub & 1 1/2" GO High Pressure Firing Sub

Ref.	Part No.	Description
1	AS8-0001	1 1/2" GO Low Pressure Firing Sub Assy
2	AS8-0005	1 1/2" GO High Pressure Firing Sub Assy
3	KIT-8-0001	Complete Kit Assy *
4	KIT-8-0005	Complete Kit Assy *
5	1.500-0006	GO Firing Sub Contact
6	000-0114	O-Rings: 114
7	1.500-0045	GO Firing Sub Contact
8	BOO-0032	Insulating Sleeve
9	000-0214	O-Rings: 214
10	1.500-0007	Viton Rubber Washer
11	1.500-0008	Insulating Washer
12	HOO-0138	Hex Nut
13	1.500-0004	Low Pressure Firing Sub Body
14	1.500-0044	High Pressure Firing Sub Body

*Does not include O-Rings.



**APPLIED
ELECTRONIC
SYSTEMS**

a **Sondex** company
www.aesla.com

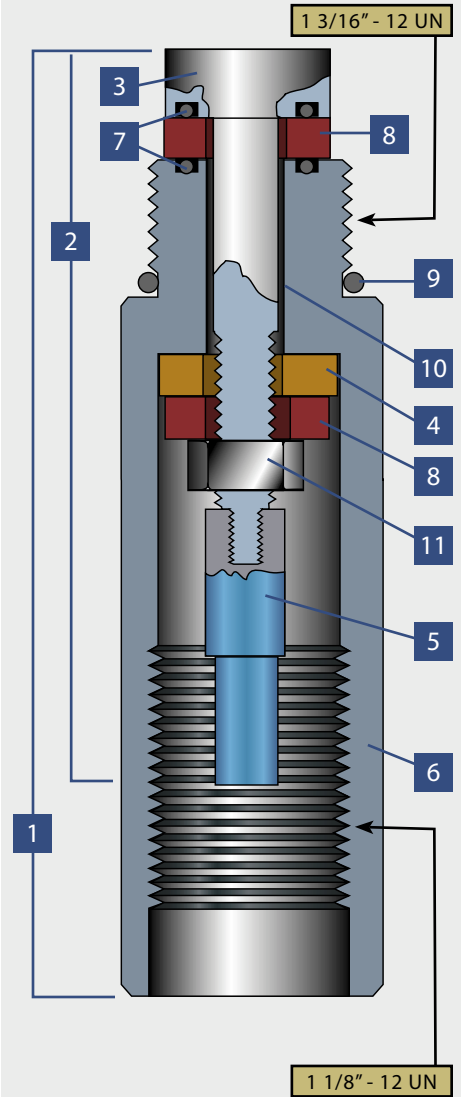
ADA0-50

ADAPTOR COMPONENTS

1 1/2" GO Firing Sub To Atlas Sub

Ref.	Part No.	Description
1	AS8-0007	1 1/2" GO Firing Sub to Atlas Sub Complete Assy
2	KIT-8-0007	Complete Kit Assy *
3	1.500-0022	Firing Sub Contact
4	1.500-0007	Viton Rubber Shock Washer
5	PSA-015	Spring-Loaded Plunger
6	1.500-0042	Contact Sub Body
7	000-0114	O-Rings: 114
8	1.500-0008	Insulating Washer
9	000-0214	O-Rings: 214
10	BOO-0097	Insulating Sleeve
11	HOO-0138	3/8" -16 Nut

*Does not include O-Rings.



**APPLIED
ELECTRONIC
SYSTEMS**

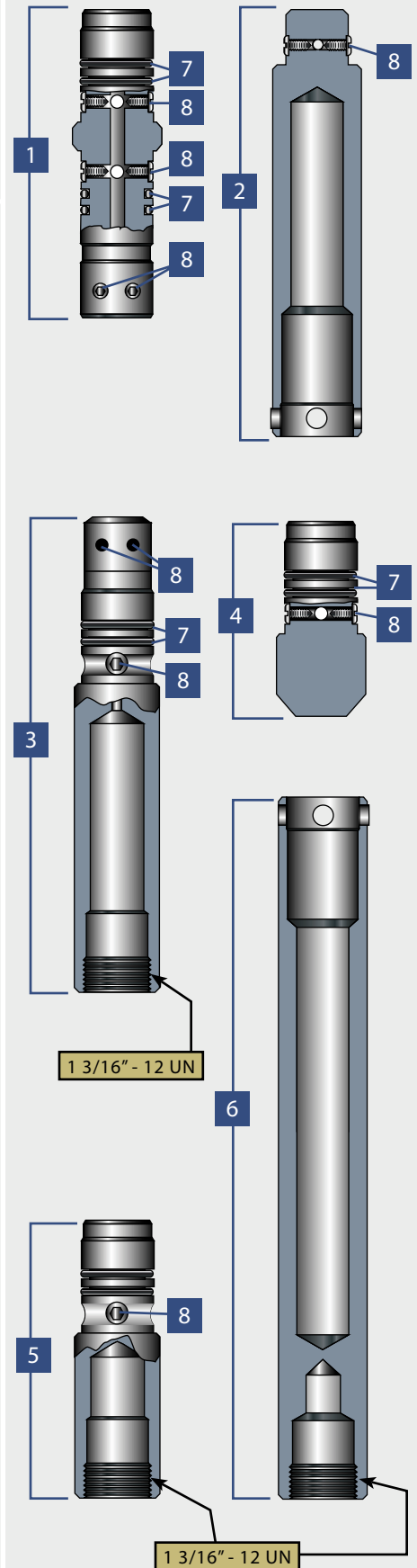
a **Sondex** company
www.aesla.com

ADA0-51

ADAPTOR COMPONENTS

- 1 9/16" RTG Tandem Sub
- 1 9/16" RTG Bottom Sub Adapter
- 1 9/16" RTG Top Sub
- 1 9/16" RTG Bull Plug
- 1 9/16" Lower Decentralizer Adapter
- 1 9/16" Lower Blast Sub

Ref.	Part No.	Description
1	AS6-0045	1 9/16" RTG Tandem Sub Complete Assembly
2	AS6-0047	1 9/16" RTG Bottom Sub Adapter Complete Assembly
3	AS6-0046	1 9/16" RTG Top Sub Complete Assembly
4	AS6-0048	1 9/16" RTG Bull Plug Complete Assembly
5	AS6-0049	1 9/16" Lower Decentralizer Adapter Assembly
6	AS6-0071	1 9/16" Lower Blast Sub
7	000-0214	O-Rings: 214
8	H00-0273	1/4-20 X 1/4" Socket Head Cap Screw



**APPLIED
ELECTRONIC
SYSTEMS**

a **Sondex** company
www.aesla.com

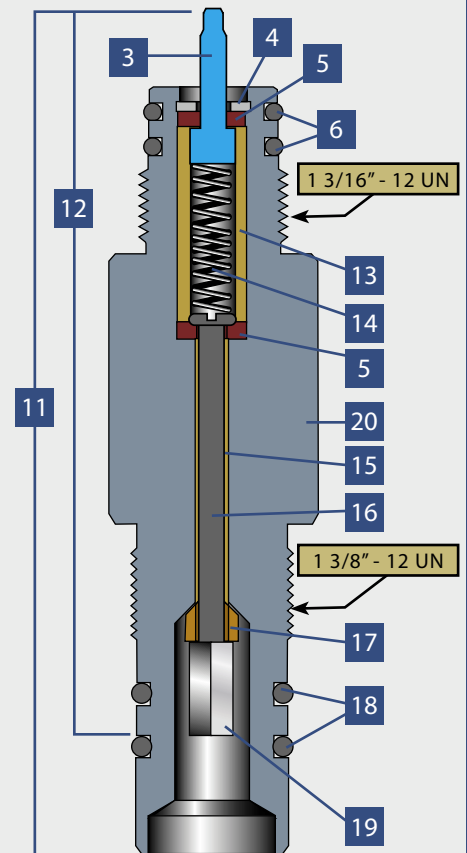
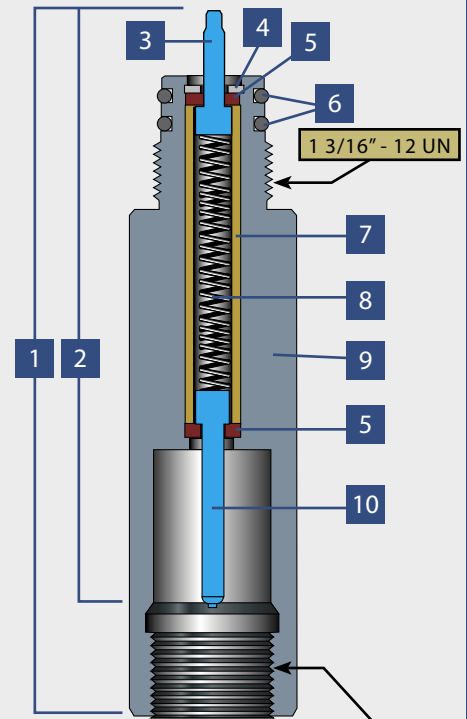
ADA0-52

ADAPTOR COMPONENTS

1 11/16" Schlumberger Box To 1 3/8" GO Pin & 1 11/16" Schlumberger Pin To 1 3/8" GO Pin

Ref.	Part No.	Description
1	AS6-0001	1 11/16" Schlumberger Box to 1 3/8" GO Pin Assy
2	KIT-6-0001	Complete Kit Assembly *
3	1.-0033	Contact Plunger
4	HOO-0065	Retainer Ring
5	1.-0041	Insulating Washer
6	000-0211	O-Rings: 211
7	1.-0124	Contact Insulator
8	1.-0037-1	Contact Spring
9	1.687-0002	Contact Sub Body
10	1.687-0003	Contact Plunger
11	AS6-0018	1 11/16" Schlumberger PIN to 1 3/8" GO Pin Assy
12	KIT-6-0018	Complete Kit Assembly *
13	1.-0042	Contact Insulator
14	1.-0037	Contact Spring
15	BOO-0032	Insulating Sleeve
16	HOO-0252	Contact Rod
17	1.375-0172	Beveled Insulator
18	000-0214	O-Rings: 214
19	1.687-0154	Schlumberger Contact
20	1.687-0060	Contact Sub Body

* Does not include O-Rings



**APPLIED
ELECTRONIC
SYSTEMS**

a **Sondex** company
www.aesla.com

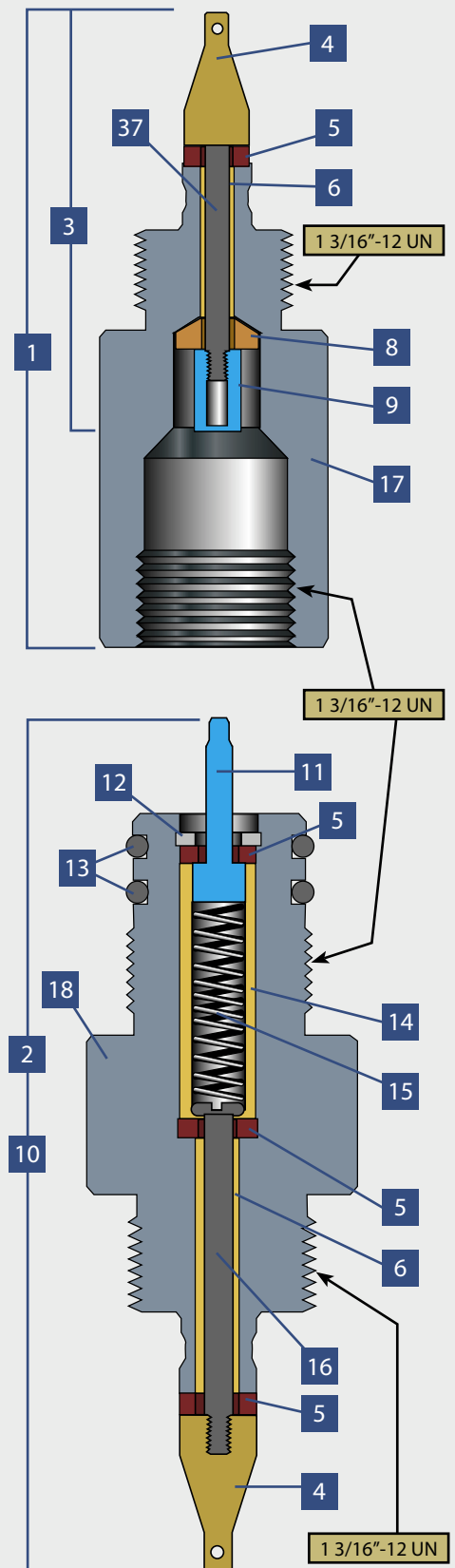
ADA0-53

ADAPTOR COMPONENTS

1 11/16" AES Tear Drop Sub To
1 3/8" GO Box
1 11/16" AES Tear Drop Sub

Ref.	Part No.	Description
1	AS6-0065	1 11/16" AES Tear Drop Sub to 1 3/8" GO Box Complete Assy
2	AS6-0037	1 11/16" AES Tear Drop Sub Complete Assy
3	KIT-6-0065	Complete Kit Assy *
4	1.375-0030	10-32 Cone Nut
5	1.-0041	Insulating Washer
6	BOO-0032	Insulating Sleeve
7	1.375-0451	10-32 Contact Rod
8	1.-0086	Beveled Insulating Washer
9	1.-0087A	10-32 Contact Receptacle
10	KIT-4-0001	Complete Kit Assy *
11	1.-0033	Contact Plunger
12	HOO-0065	Retainer Ring
13	000-0211	O-Rings: 211
14	1.-0042	Insulating Washer
15	1.-0037	Contact Spring
16	HOO-0095	Contact Rod
17	1.687-0044	Contact Sub Body
18	1.687-0155	Contact Sub Body

* Does not include O-Rings



**APPLIED
ELECTRONIC
SYSTEMS**

a **Sondex** company
www.aesla.com

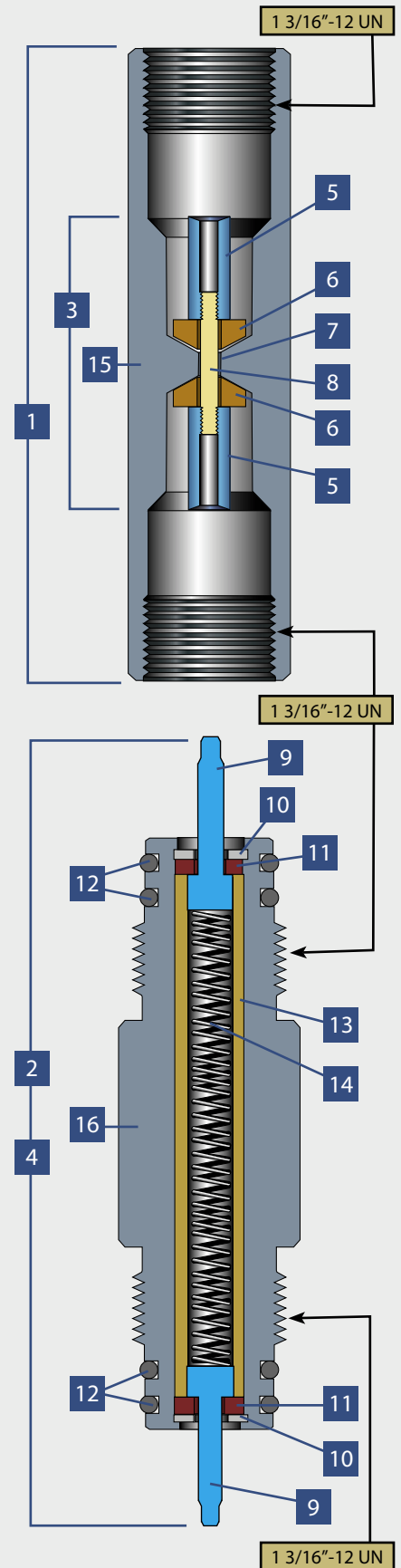
ADA0-54

ADAPTOR COMPONENTS

1 11/16" GO Double Box &
1 11/16" GO Double Pin

Ref.	Part No.	Description
1	AS6-0060	1 11/16" GO Double Box Assy
2	AS6-0070	1 11/16" GO Double Pin Assy
3	KIT-4-0022	Complete Kit Assy *
4	KIT-6-0070	Complete Kit Assy *
5	1.-0087A	10-32 Contact Receptacle
6	1.-0086	Beveled Insulating Washer
7	BOO-0032	Insulating Sleeve
8	1.375-0433	10-32 Contact Rod
9	1.-0033	Contact Plunger
10	HOO-0065	Retainer Ring
11	1.-0041	Insulating Washer
12	000-0211	O-Ring: 211
13	1.-0028	Contact Insulator
14	1.-0037-1	Contact Spring
15	1.687-0221	Contact Sub Body
16	1.687-0251	Contact Sub Body

* Does not include O-Rings



**APPLIED
ELECTRONIC
SYSTEMS**

a **Sondex** company
www.aesla.com

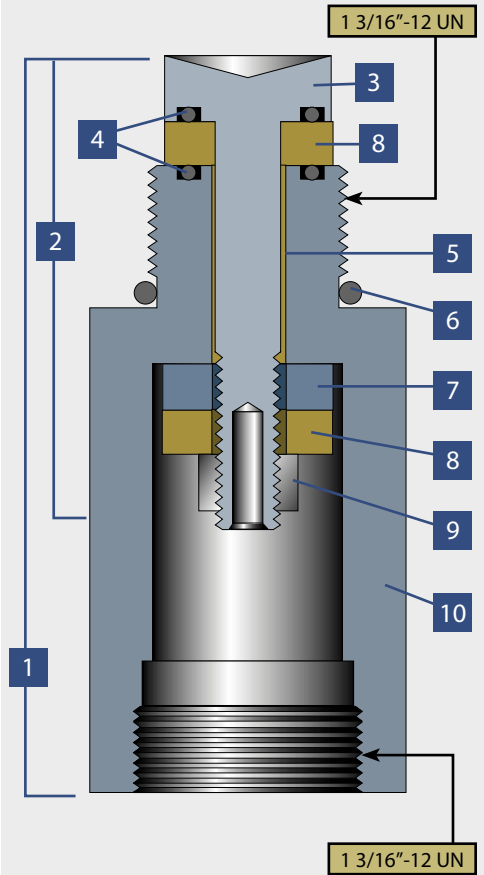
ADA0-55

ADAPTOR COMPONENTS

1 11/16" GO Firing Sub

Ref.	Part No.	Description
1	AS6-0076	1 11/16" GO Firing Sub Assy
2	Kit-6-0076	Complete Kit Assy*
3	1.500-0006	GO Firing Sub Contact
4	000-0114	O-Rings: 114
5	B00-0097	Insulating Ring
6	000-0214	O-Rings: 214
7	1.500-007	Viton Rubber Washer
8	1.500-0008	Insulating Washer
9	H00-0138	Hex Nut
10	1.687-0345	Firing Sub Body

* Does not include O-Rings



**APPLIED
ELECTRONIC
SYSTEMS**

a **Sondex** company

www.aesla.com

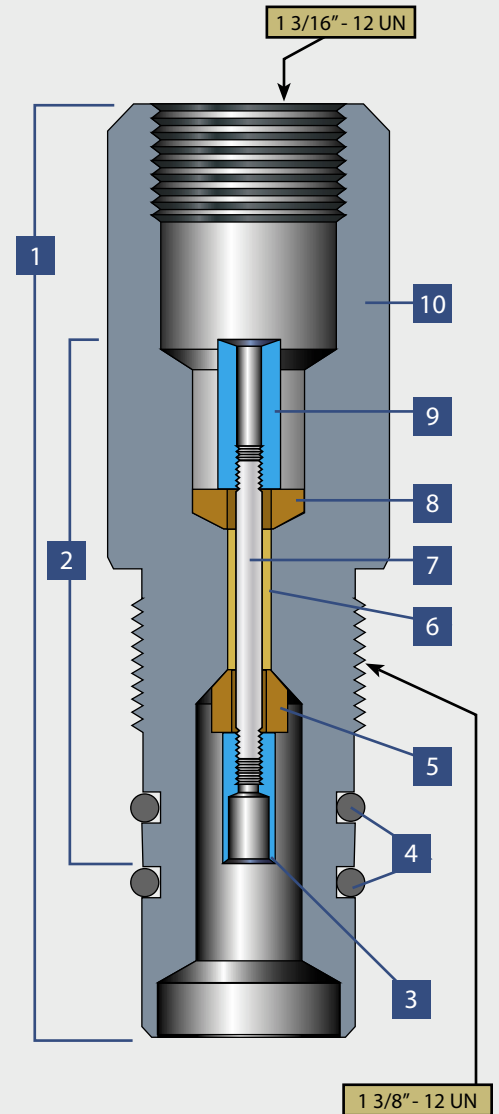
ADA0-56

ADAPTOR COMPONENTS

1 11/16" Schlumberger Pin to 1 3/8" GO Box

Ref.	Part No.	Description
1	AS6-0079	1 11/16" Schlumberger Pin to 1 3/8" GO Box Assy *
2	KIT-6-0079	Complete Kit Assembly *
3	1.687-0154	Contact Receptacle
4	000-0214	O-Rings: 214
5	1.375-0172	Contact Insulator
6	BOO-0032	Insulating Sleeve
7	1.375-0432	10-32 Contact Rod
8	1.-0086	Beveled Insulating Washer
9	1.-0087A	10-32 Contact Receptacle
10	1.687-0277	Contact Sub Body

*Does not include O-Rings.



**APPLIED
ELECTRONIC
SYSTEMS**

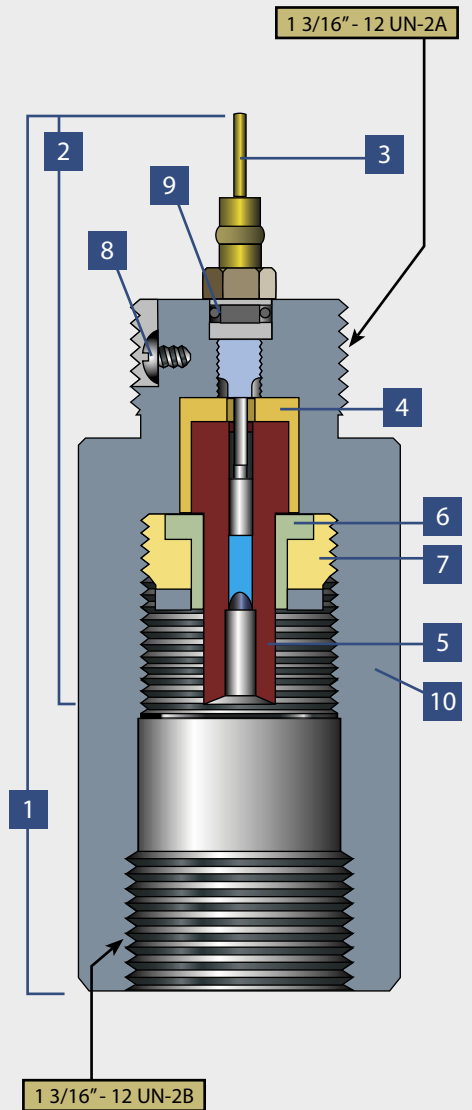
a **Sondex** company
www.aesla.com

ADA0-57

ADAPTOR COMPONENTS

1 11/16" GO Box/Tear Drop With Pressure Connector & Ground Screw

Ref.	Part No.	Description
1	AS6-0085	1 11/16" GO Box / Tear Drop w/Pressure Connector & Ground Screw
2	KIT-6-0085	Complete Kit Assy *
3	CON-0012-A	Pressure Connector
4	3005	Contact Insulator
5	3006	Brass Contact
6	3007	Insulator
7	3029-1	Retainer Ring
8	HOO-0094	6-32 x 3/16 Pan Head Screw S/S
9	000-0008	O-Ring: 008
10	1.687-0398	1 11/16" GO Box / Tear Drop w/Pressure Connector Body



**APPLIED
ELECTRONIC
SYSTEMS**

a **Sondex** company
www.aesla.com

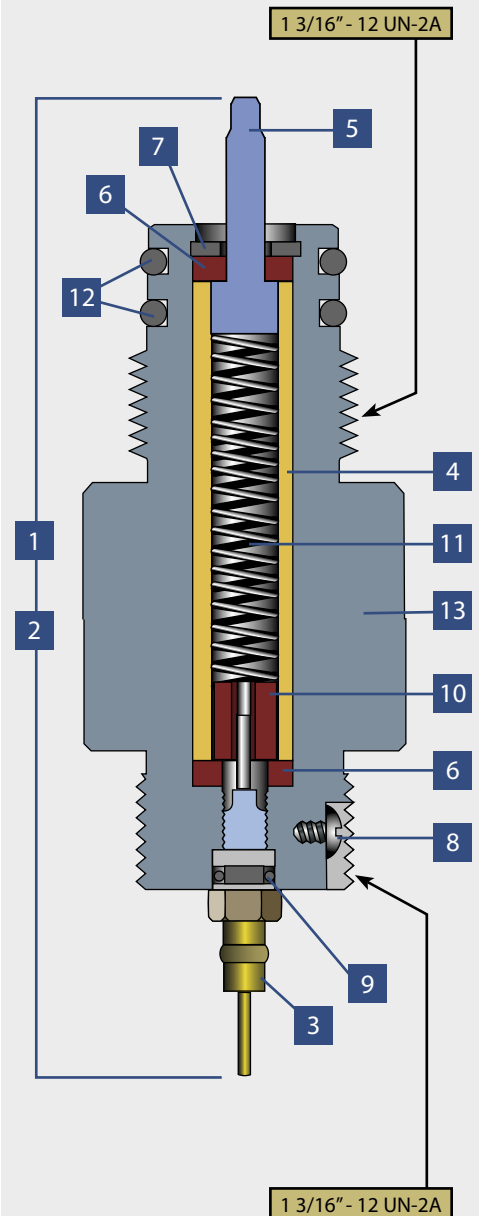
ADA0-58

ADAPTOR COMPONENTS

1 11/16" GO Pin/Tear Drop With Pressure Connector & Ground Screw

Ref.	Part No.	Description
1	AS6-0086	1 11/16" GO Pin / Tear Drop w/Pressure Connector & Ground Screw
2	KIT-6-0086	Complete Kit Assembly *
3	CON-0012-A	Pressure Connector
4	2493	Contact Insulator
5	1.0033	Brass Plunger
6	1.0041	Insulator
7	HOO-0065	Retainer Ring
8	HOO-0094	6-32 x 3/16 Pan Head Screw S/S
9	000-0008	O-Ring: 008
10	PSA-024	Contact
11	1.0037	Spring
12	000-0211	O-Rings: 211
13	1.687-0399	1 11/16" GO Pin / Tear Drop w/Pressure Connector Body

*Does not include O-Rings.



**APPLIED
ELECTRONIC
SYSTEMS**

a **Sondex** company
www.aesla.com

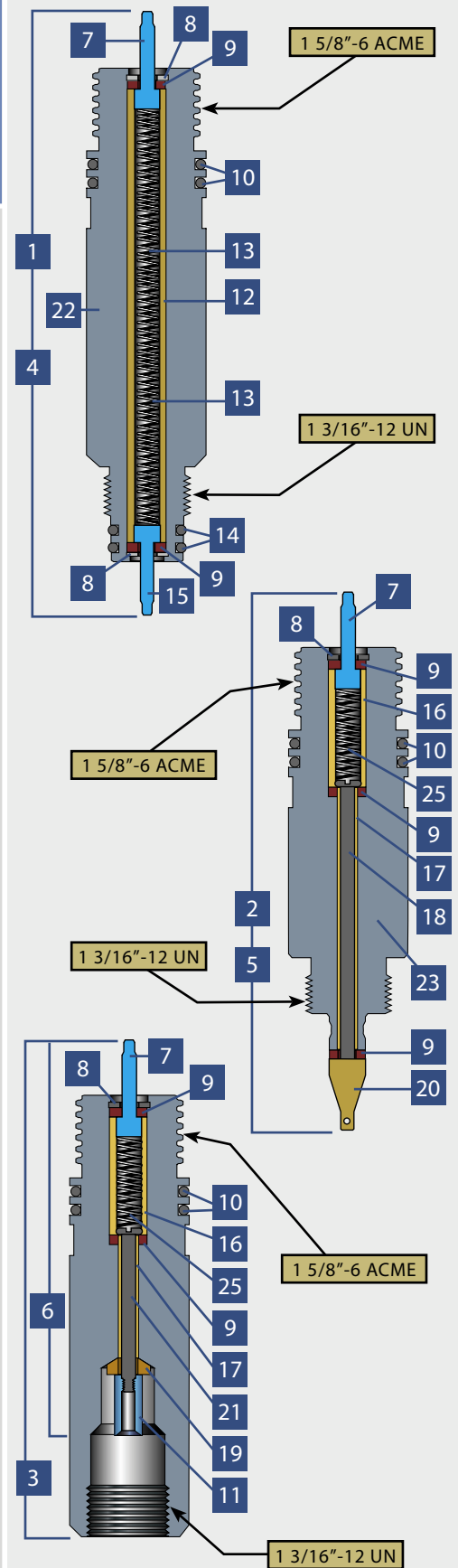
ADA0-59

ADAPTOR COMPONENTS

1 3/4" 3 1/4" GO Quick Change Pin To
1 7/16" GO Pin
1 3/4" 3 1/4" GO Quick Change Pin To
1 7/16" GO Tear Drop
1 3/4" 3 1/4" GO Quick Change Pin To
1 7/16" GO Box

Ref.	Part No.	Description
1	AS7-0002	1 3/4" 3 1/4" GO Quick Change Pin to 1 7/16" GO Pin Assy
2	AS7-0003	1 3/4" 3 1/4" GO Quick Change Pin to 1 7/16" GO Tear Drop Assy
3	AS7-0004	1 3/4" 3 1/4" GO Quick Change Pin to 1 7/16" GO Box Assy
4	KIT-7-0002	Complete Kit Assy *
5	KIT-7-0003	Complete Kit Assy *
6	KIT-7-0004	Complete Kit Assy *
7	1.-0214	Contact Plunger
8	HOO-0065	Retainer Ring
9	1.-0041	Insulating Washer
10	000-0222	O-Rings: 222
11	1.-0087A	10-32 Contact Receptacle
12	1.750-0054	Contact Insulator
13	1.-0037-1	Contact Spring (2 Req'd)
14	000-0211	O-Rings: 211
15	1.-0033	Contact Plunger
16	1.-0042	Contact Insulator
17	BOO-0032	Insulating Sleeve
18	1.375-0030	10-32 Contact Rod 4 1/8 Lg.
19	1.-0086	Beveled Insulating Washer
20	1.3750536	10-32 Cone Nut
21	HOO-0024	10-32 Contact Rod
22	1.750-0005	Contact Sub Body
23	1.750-0006	Contact Sub Body
24	1.750-0007	Contact Sub Body
25	1.-0037	Contact Spring
26	1.375-0081	Contact Spacer

*Does not include O-Rings.



**APPLIED
ELECTRONIC
SYSTEMS**

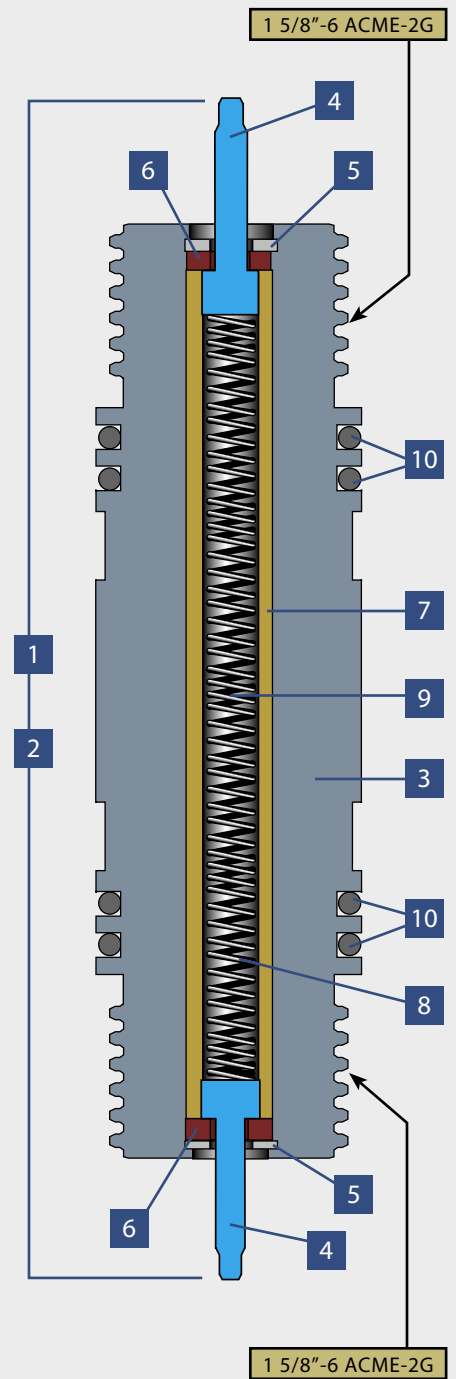
a **Sondex** company
www.aesla.com

ADA0-60

ADAPTOR COMPONENTS

1 3/4" Double Quick Change Pin

Ref.	Part No.	Description
1	AS7-0007	1 3/4" Double Quick Change Pin Assembly
2	KIT-7-0007	Complete Kit Assembly *
3	1.750-0055	1 3/4" Double Quick Change Pin
4	1.0214	Contact Plunger
5	HOO-0065	Retainer Ring
6	1.0041	Insulating Washer
7	1.375-0492	Plunger Insulator
8	1.0037	Contact Spring 2" Long
9	1.0037-1	Contact Spring 4" Long
10	000-0222	O-Rings: 222



**APPLIED
ELECTRONIC
SYSTEMS**

a **Sondex** company
www.aesla.com

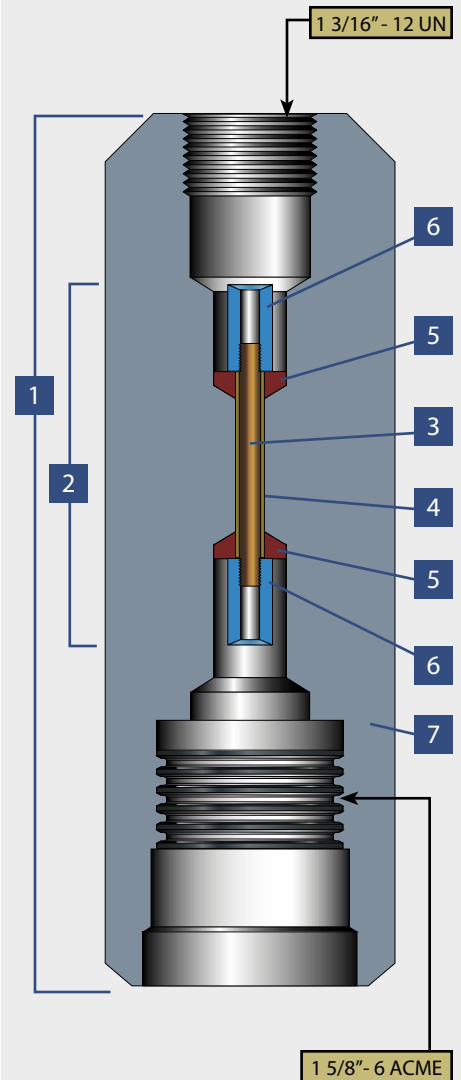
ADA0-61

ADAPTOR COMPONENTS

2 1/2" GO Quick Change Box To GO Box

Ref.	Part No.	Description
1	AS7-0013	2 1/2" GO Quick Change Box to GO Box
2	Kit-7-0013	Contact Kit Assy*
3	1.375-0451	Contact Rod 10-32 X 2"
4	B00-0032	Insulating Sleeve
5	1.-0086	Beveled Insulating Washer
6	1.0087A	10-32 Contact Receptacle
7	2.0117	Contact Sub Body

*Does not include O-Rings



**APPLIED
ELECTRONIC
SYSTEMS**

a **Sondex** company
www.aesla.com

ADA0-62

ADAPTOR COMPONENTS

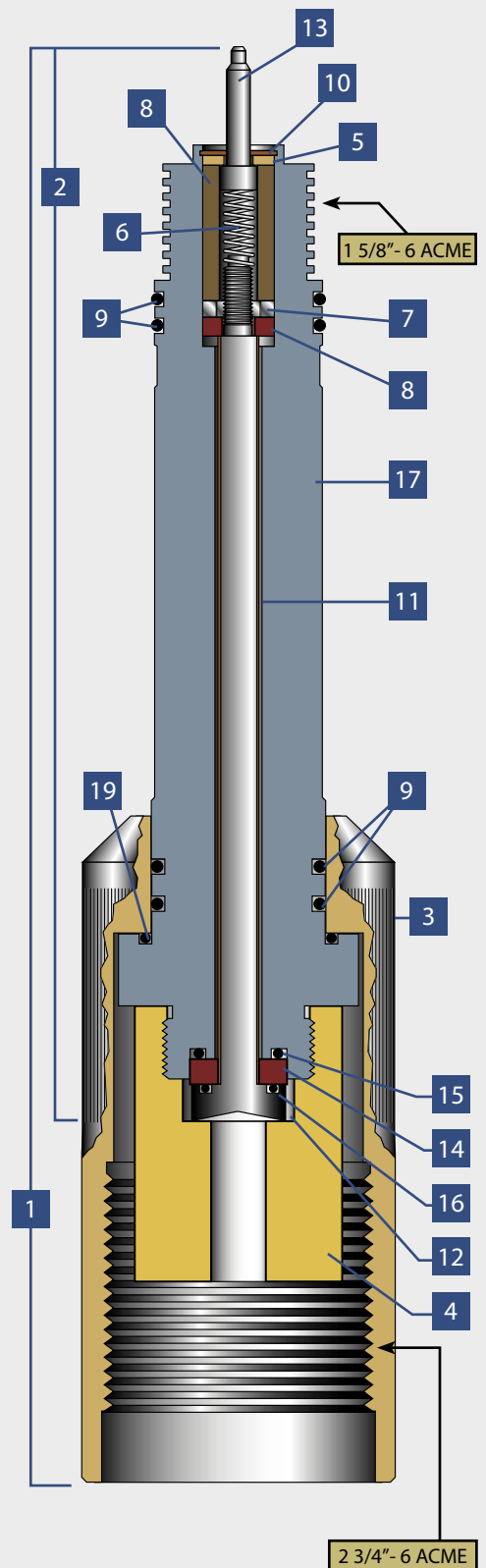
3 1/4" Quick Change Assembly (GO Type)

Ref.	Part No.	Description
1	AS9-0028	3 1/4" Quick Change Assy *
	AS9-0028-LC	Crossover Assy**
2	KIT-9-0028	Complete Kit Assy ***
3	3.250-0047	Quick Change Collar
4	3.250-0068	Detonator Block
5	3.250-0049-A	Insulating Washer
6	1.-0037	Contact Spring
7	HOO-0296	Nut
8	3.250-0051	Insulating Washer
9	000-0222	O-Rings: 222
10	HOO-0253	Retainer Ring
11	BOO-0097	Thru Rod Insulating Sleeve
12	3.250-0050	Contact Rod
13	1.-0033	Contact Pin
14	3.250-0052	Insulating Washer
15	000-0211	O-Rings: 211
16	000-0114	O-Rings: 114
17	3.250-0048	Crossover Sub Body
18	3.250-0049-B	Contact Insulator
19	000-0224	O-Rings: 224

*Excludes Detonator Block.

**Excludes Collar and Detonator Block.

***Does not include O-Rings & Contact Rod.



**APPLIED
ELECTRONIC
SYSTEMS**

a **Sondex** company
www.aesla.com

ADA0-63

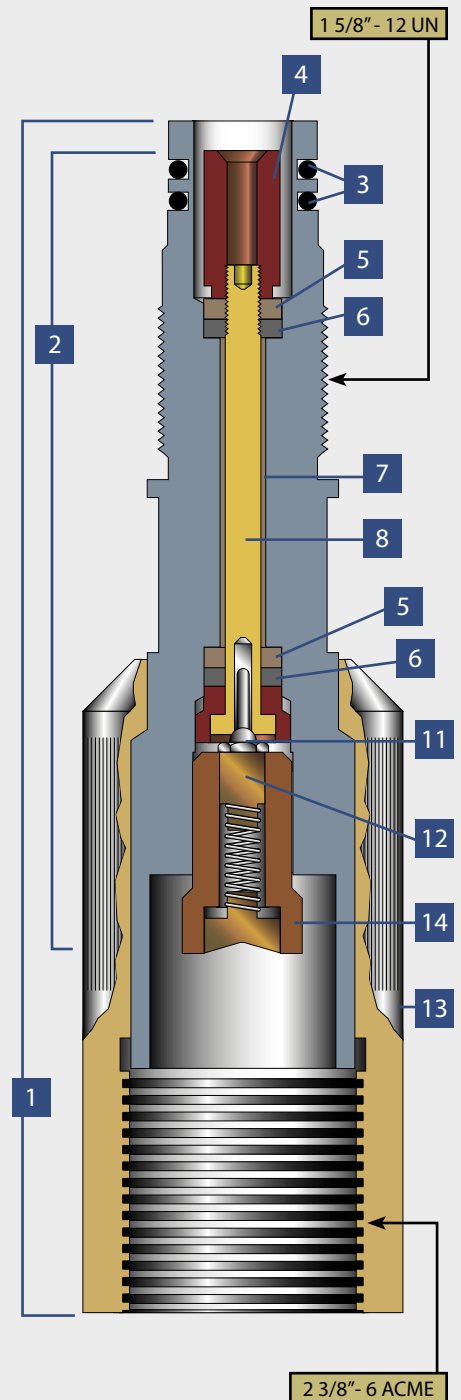
ADAPTOR COMPONENTS

3 1/8" Quick Change Assembly (SIE Type)

Ref.	Part No.	Description
1	AS9-0029	3 1/8" Quick Change Assy
2	KIT-9-0029	Complete Kit Assy*
	AS9-0029-LC	Complete Crossover Assy**
3	000-0217	O-Rings: 217
4	3.250-0041	Brass Contact Receptacle
5	3.250-0035	Insulating Washer
6	3.250-0036	Viton Rubber Washer
7	BOO-oo35	Insulating Sleeve
8	3.250-0037	Contact Thru Rod
9	3.250-0006	Quick Change Crossover Sub
10	3.250-0034	Cup Washer
11	CON-0024	Banana Plug
12	PSA-025	Bijou Contact Assy.
13	3.250-0003	Quick Change Collar
14	3.250-0033	Bijou Insulator

*Does not include O-Rings and Crossover Sub.

** Excludes Collar and Detonator Block.



**APPLIED
ELECTRONIC
SYSTEMS**

a **Sondex** company

www.aesla.com

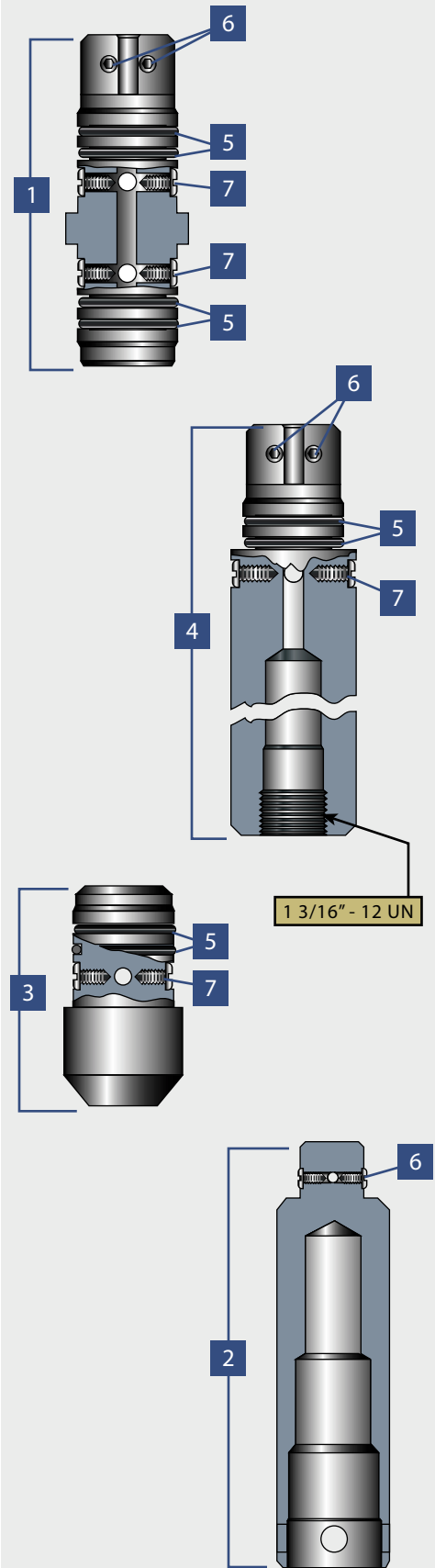
ADA0-64

ADAPTOR COMPONENTS

- 2" RTG Tandem Sub
- 2" RTG Bottom Adaptor Sub
- 2" RTG Bull Plug
- 2" RTG Top Sub

Ref.	Part No.	Description
1	AS9-0031	2" RTG Tandem Sub Assembly
2	AS9-0042	2" RTG Bottom Adaptor Sub Assembly
3	AS9-0033	2" RTG Bull Plug Assembly
4	AS9-0032	2" RTG Top Sub Assembly
5	000-0220	O-Ring: 220
6	HOO-0273	1/4-20 x 1/4" Socket Head Cap Screw
7	HOO-0274	5/16-18 x 1/4" Socket Head Cap Screw

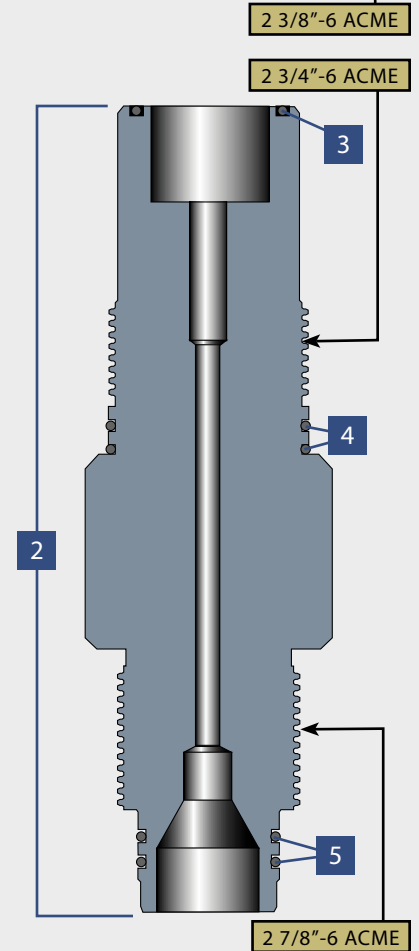
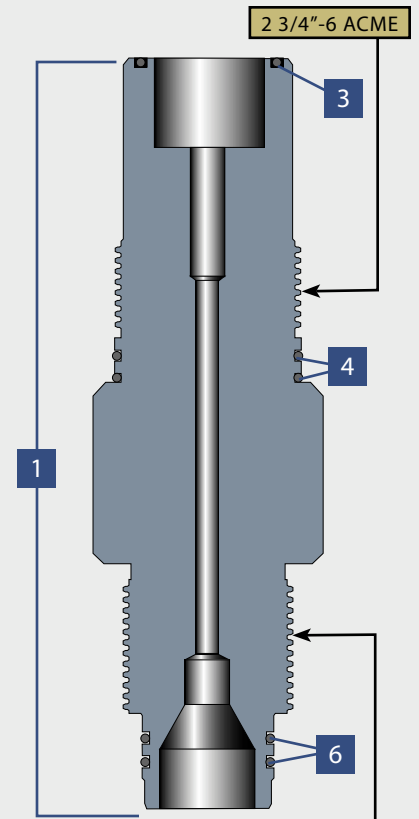
*Does not include Cap Screws (Order Separately).



ADAPTOR COMPONENTS

#10 Baker Firing Head To GO Quick Change #20 Baker Firing Head To GO Quick Change

Ref.	Part No.	Description
1	AS10-0002	#10 Baker Firing Head to GO Quick Change Assy
2	AS10-0003	#20 Baker Firing Head to GO Quick Change Assy
3	000-0226	O-Rings: 226
4	000-0230	O-Rings: 230
5	000-0328	O-Rings: 328
6	000-0222	O-Rings: 222



**APPLIED
ELECTRONIC
SYSTEMS**

a **Sondex** company
www.aesla.com

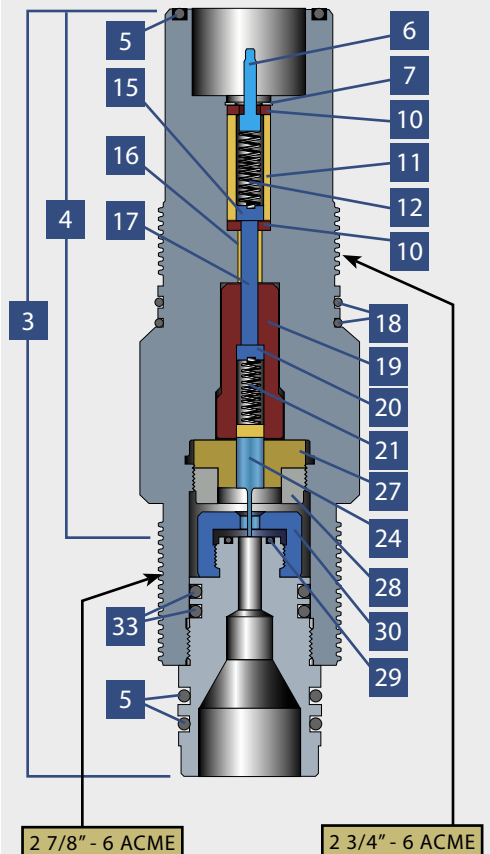
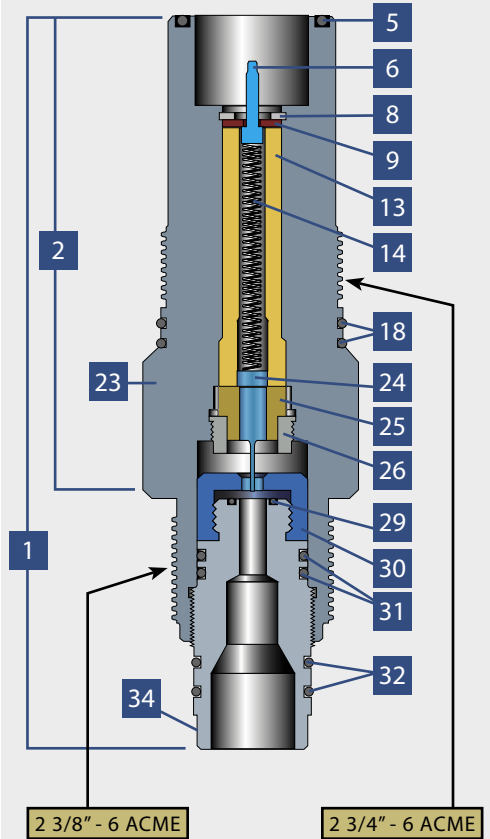
ADA0-66

ADAPTOR COMPONENTS

#10 Baker Firing Head To GO Quick Change #20 Baker Firing Head To GO Quick Change

Ref.	Part No.	Description
1	AS10-0005	#10 Baker Firing Head to GO Quick Change Complete Assy
2	KIT-10-0005	Complete Kit Assy *
3	AS10-0004	#20 Baker Firing Head to GO Quick Change Complete Assy
4	KIT-10-0004	Complete Kit Assy *
5	000-0328	O-Rings: C-67 328
6	1.0033	Contact Plunger
7	HOO-0254	Retainer Ring
8	HOO-0005	Retainer Ring
9	3.250-0093	Insulating Washer
10	0.625-0051	Insulating Washer
11	3.250-0092	Contact Insulator
12	1.0037	Contact Spring
13	3.250-0091	Contact Insulator
14	HOO-0344	Contact Spring
15	3.500-0005A	Contact Rod End Cap
16	BOO-0035	Insulating Sleeve
17	3.500-0005	Contact Rod
18	000-0230	O-Rings: C-67 230
19	3.250-0083	Contact Insulator
20	3.250-0030A	Contact Rod End Cap
21	3.250-0082	Contact Spring
22	3.500-0004	#20 Firing Head Sub Body
23	3.500-0090	#10 Firing Head Sub Body
24	1.687-0111	Contact Plunger
25	3.0059	Contact Insulator
26	3.0062	#10 Retainer Collar
27	3.250-0026	Contact Insulator
28	3.250-0088	#20 Retainer Collar
29	000-0112	O-Rings: C-67 112
30	3.250-0010A	#10 Igniter Holder Cap
	3.250-0010A	#20 Igniter Holder Cap
31	000-0220	O-Rings: C-67 220
32	000-0222	O-Rings: C-67 222
33	000-0325	O-Rings: C-67 325
34	3.0060	#10 Igniter Holder Body
35	3.250-0010	#20 Igniter Holder Body

*Does not include O-Rings.



**APPLIED
ELECTRONIC
SYSTEMS**

a **Sondex** company

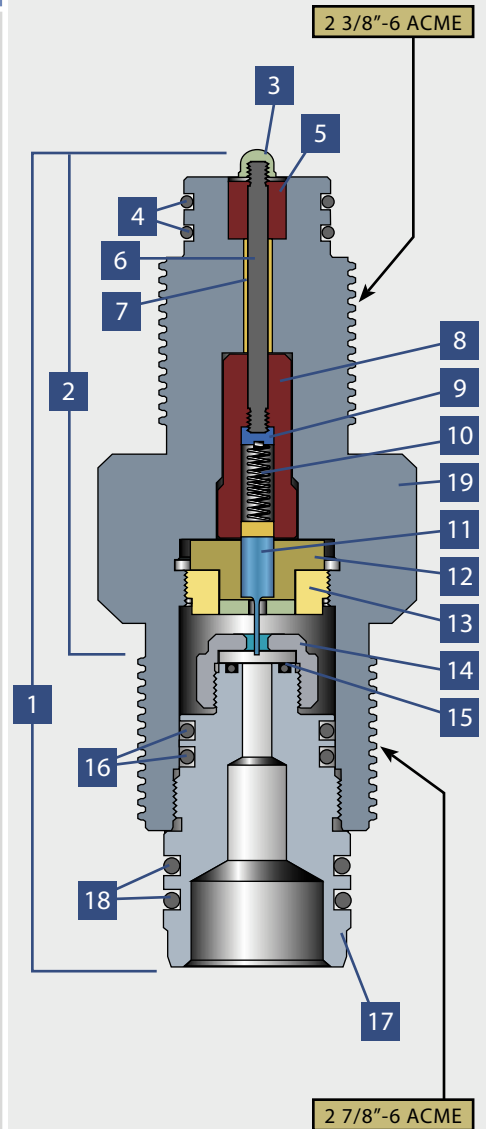
www.aesla.com

ADA0-67

ADAPTOR COMPONENTS

#20 Baker Firing Head For Setting Tool

Ref.	Part No.	Description
1	AS10-0001	#20 Baker Firing Head Setting Tool Assy (3 items)
2	KIT-10-0001	Complete Kit Assy (3 items)
3	HOO-0270	1/4-28 Acorn Nut
4	000-0222	O-Rings: 222
5	3.250-0084	Contact Insulator
6	3.250-0030	1/4-28 Contact Rod
7	BOO-0035	Insulating Sleeve
8	3.250-0083	Contact Insulator
9	3.250-0030A	Contact Rod End Cap
10	3.250-0082	Contact Spring
11	1.687-0111	Contact Plunger
12	3.250-0026	Contact Insulator
13	3.250-0088	Retainer Ring
14	3.250-0010A	Firing Head Cap Retainer
15	000-0112	O-Rings: 112
16	000-0325	O-Ring: 325
17	3.250-0010	Firing Head Igniter
18	000-0328	O-Rings: 328
19	3.250-0081	Firing Head Body



**APPLIED
ELECTRONIC
SYSTEMS**

a **Sondex** company

www.aesla.com

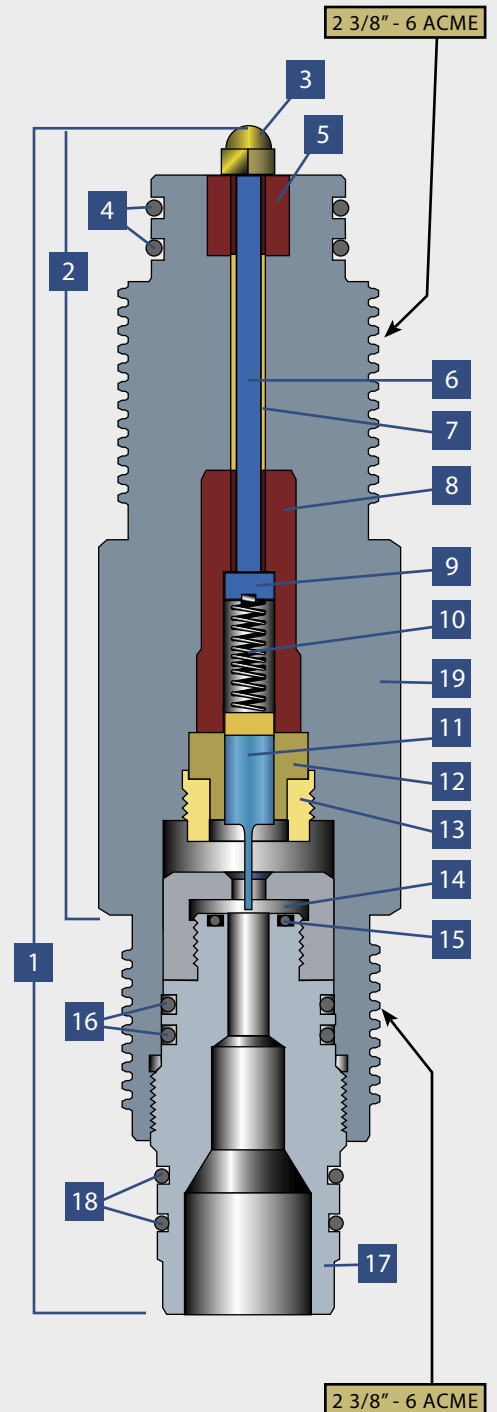
ADA0-68

ADAPTOR COMPONENTS

#10 Baker Firing Head For Setting Tool

Ref.	Part No.	Description
1	AS10-0006	Firing Head Assembly for Baker #10 Setting Tool
2	KIT-3.250-0103	Complete Kit Assy *
3	HOO-0270	1/4-28 Acorn Nut
4	000-0222	O-Rings: 222
5	3.250-0084	Contact Insulator
6	3.250-0030-2	1/4-28 Contact Rod
7	BOO-0035	Insulating Sleeve
8	3.250-0083	Contact Insulator
9	3.250-0030A	Contact Rod End Cap
10	3.250-0082	Contact Spring
11	1.687-0111	Contact Plunger
12	3.-0059	Contact Insulator
13	3.-0062	#10 Retainer Ring
14	3.250-0010A	Firing Head Cap Retainer
15	000-0112	O-Rings: 112
16	000-0220	O-Ring: 220
17	3.-0060	#10 Igniter Holder Body
18	000-0222	O-Ring: 222
19	3.250-0103	Firing Head Body

*Does not include O-Rings.



**APPLIED
ELECTRONIC
SYSTEMS**

a **Sondex** company

www.aesla.com

ADA0-69