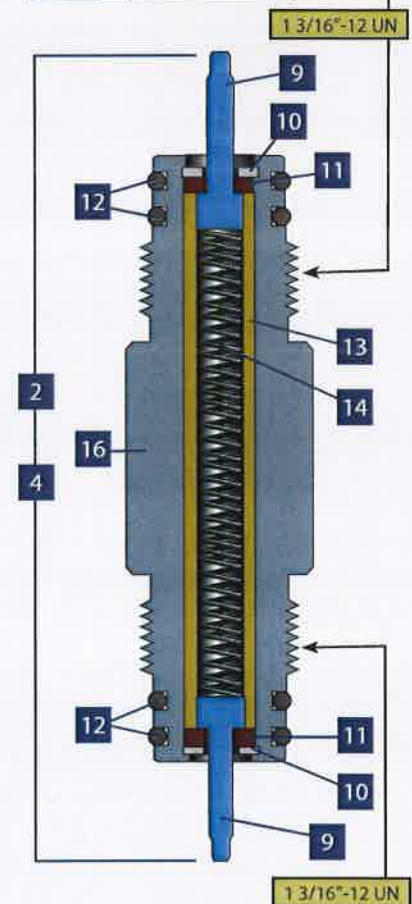
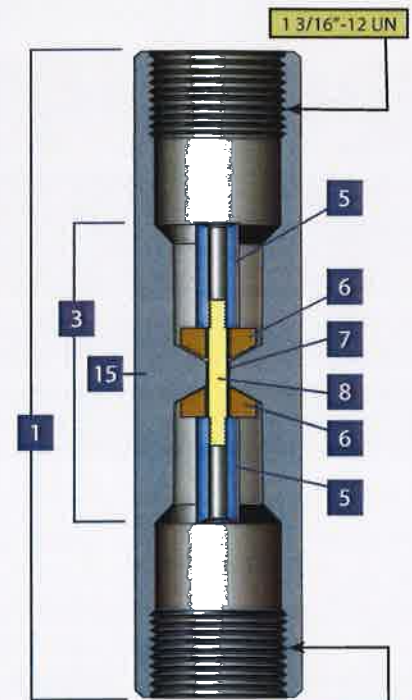


# ADAPTOR COMPONENTS

1 11/16" GO Double Box &  
1 11/16" GO Double Pin

Ref.	Part No.	Description
1	AS6-0060	1 11/16" GO Double Box Assy
2	AS6-0070	1 11/16" GO Double Pin Assy
3	KIT-4-0022	Complete Kit Assy *
4	KIT-6-0070	Complete Kit Assy *
5	1.-0087A	10-32 Contact Receptacle
6	1.-0086	Beveled Insulating Washer
7	BOO-0032	Insulating Sleeve
8	1.375-0433	10-32 Contact Rod
9	1.-0033	Contact Plunger
10	HOO-0065	Retainer Ring
11	1.-0041	Insulating Washer
12	000-0211	O-Ring: 211
13	1.-0028	Contact Insulator
14	1.-0037-1	Contact Spring
15	1.687-0221	Contact Sub Body
16	1.687-0251	Contact Sub Body

\* Does not include O-Rings



**APPLIED  
ELECTRONIC  
SYSTEMS**

a **Sorbus** company  
[www.aesla.com](http://www.aesla.com)

ADA0-55