

C. DOWNHOLE EQUIPMENT

Running / Pulling Tool

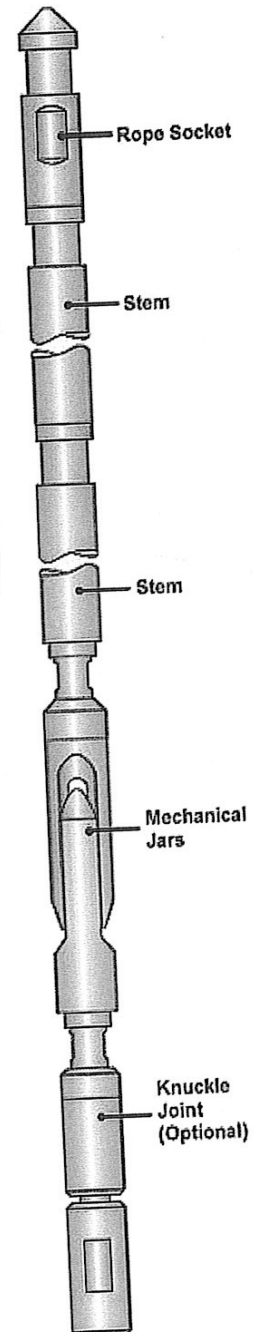
1. List out all basic running and pulling tools

No.	Items
1	X line / XO running tool
2	R line / RO running tool
3	JK running tool
4	GIA running tool
5	QxD running tool
6	QxT running tool
7	S Type Pulling tool
8	SSJ
9	R type Pulling tool
10	GS and GSL puling tool
11	PCE Heavy Duty Pulling tool
12	Camco J series pulling tool
13	
14	
15	
16	
17	
18	
19	
20	

[Handwritten Signature]

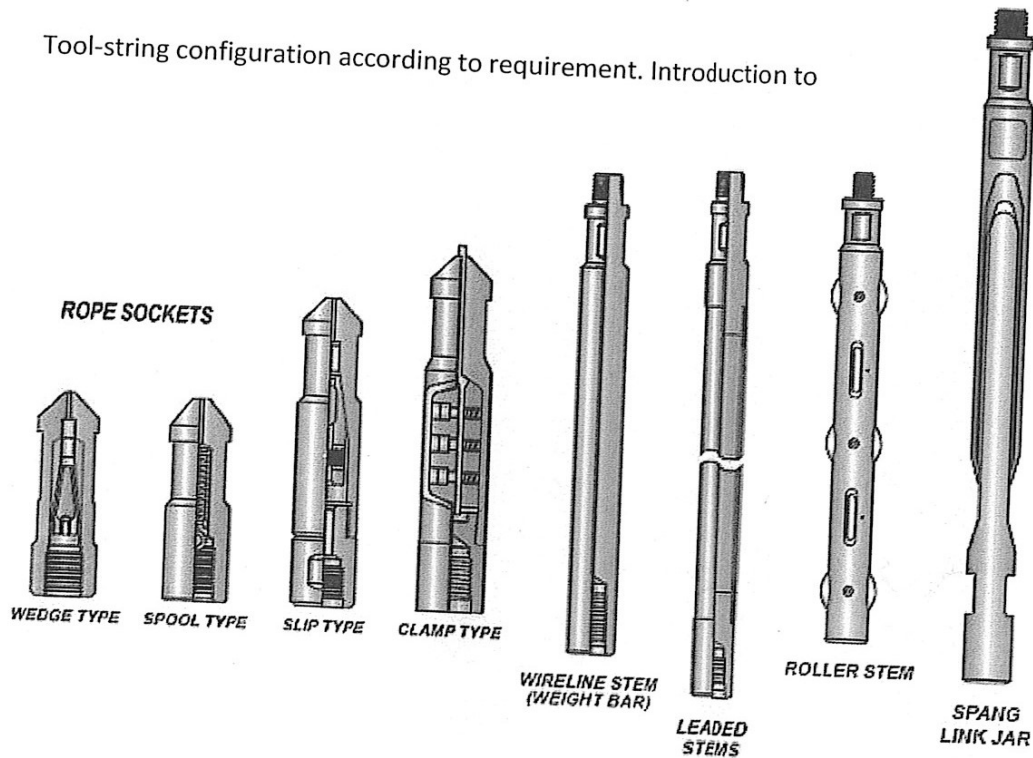
GAZALI MEHRY
Operation Manager
Dimension Bid (M) Sdn Bhd
(East Malaysia Operation)

30/11/22



Basic Tool-string

Tool-string configuration according to requirement. Introduction to



a) rope sockets

- Uppermost component in slickline toolstring and forms an essential link between the toolstring and the wire.

b) stem lead

- Provide greater mass required in wireline operations.
- Primarily to run flowing pressure surveys to obtain max weight and min cross sectional area.

c) tungsten stem

- Higher density of heavy weight stem.
- Consist of tube which carries the tungsten inserts and a bottom sub with box connection.

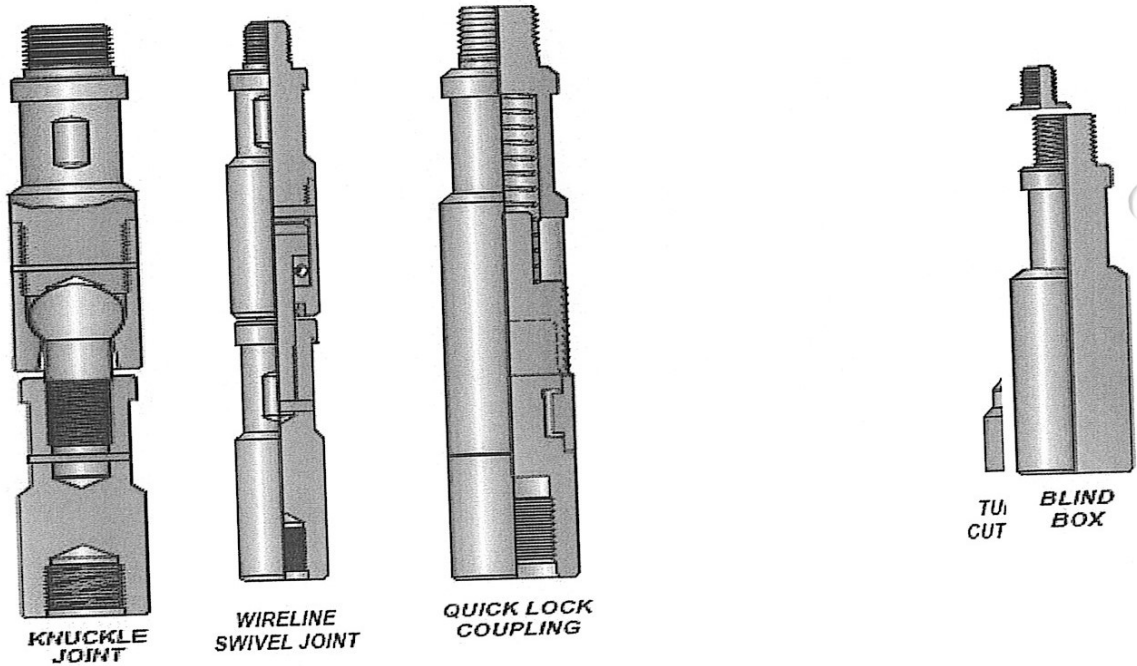
d) roller stem

- Same weight and mass as normal stem but design with rollers to reduce the friction against the tubing wall in deviated wells.

[Signature]
GAZAL MEHRY
Operation Manager
Dimension Bid (M) Sdn Bhd
(East Malaysia Operation)

e) jars

- to deliver effective jarring down or up impacts.
- also known as Stroke jar, Spang jar or link jar and has no removeable parts.



f) knuckle joints,

- To add flexibility to the toolstring and used in deviated well.
- Permit 15° sideways movement.

g) swivel joints,

- Wireline accessory used to minimize the effect of twisting wire caused by downhole tools being run.

h) quick-lock coupling

- safe and strong method of tool coupling.

GAZALI MEHRY
Operation Manager
Dimension Bid (M) Sdn Bhd
(East Malaysia Operation)

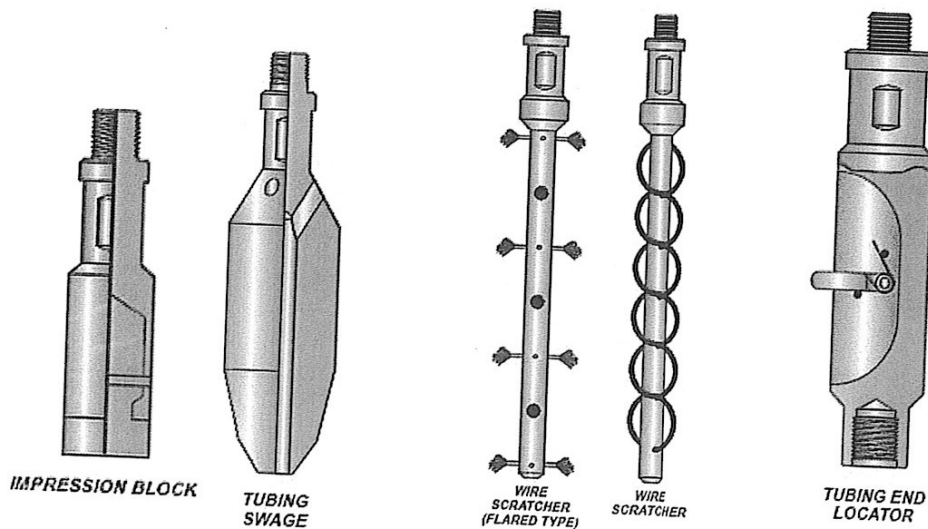
30/11/22

i) gauge cutter,

- used to run in hole before running sub-surface equipment.
- Also known as Tubing Gauge / Gauge ting.

j) Blind Box

- used when heavy downwards jarring is required to dislodge fish, or push something down the hole.



k) lead impression box

- Also known as bottom hole camera and used to check the shape or size of the top of fish to determine the appropriate tool for fishing.

l) swage

- used to remove restore the light collapse in the tubing to remove large obstruction.

m) wire scratcher

- To clear wax, scale and sand in the tubing wall, nipple profiles, BSD sleeves and Side Pocket Monitors.

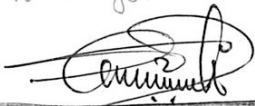
n) tubing end locator

- To locate end of tubing and measure depth of tubing end at completion.

o) wire recover tool

- To fish / retrieve the wire.

Wireline Wire
Fill up below Table

<p>A. Size of Wire used by DB</p> <p>1. 0.108"</p> <p>2. 0.125"</p> <p>3. 0.140"</p>	<p>B. Breaking point of each wire</p> <p>1. 2500 lbs</p> <p>2. 3300 lbs</p> <p>3. 4500 lbs</p>
<p>C. Type of wire used by DB</p> <p>1. Zeron</p> <p>2. EIPS</p> <p>3.</p>	<p>D. How to test if wire is good or not</p> <p>1. Wire pull test</p> <p>2. Torsion test</p> <p>3.</p>
<p>Inspection / Maintenance of Tools</p> <p>A. Why do we need to check on the tools before running in hole (RIH)?</p> <p>To ensure tool string is in good condition and fully functioning.</p> <p style="text-align: center;"></p>	

GAZALI MEHRY
Operation Manager
Dimension Bid (Malaysia) Sdn Bhd
(East Malaysia Operation)

30/11/22



B. What do we need to do if the tool is damaged or lost in hole?

- Stop work and report to town.
- Consult with wireline supervisor.
- Prepare fishing plan.

B. What do we need to do if equipment fail to work?

- Report to town immediately.
- Minor trouble shoot.
- major * request for mechanic/technician
 - * request for new equipment (if equipment fail to function after repair)

GAZALI MEHRY
Operation Manager
Dimension Bid (M) Sdn Bhd
(East Malaysia Operation)

30/11/22