

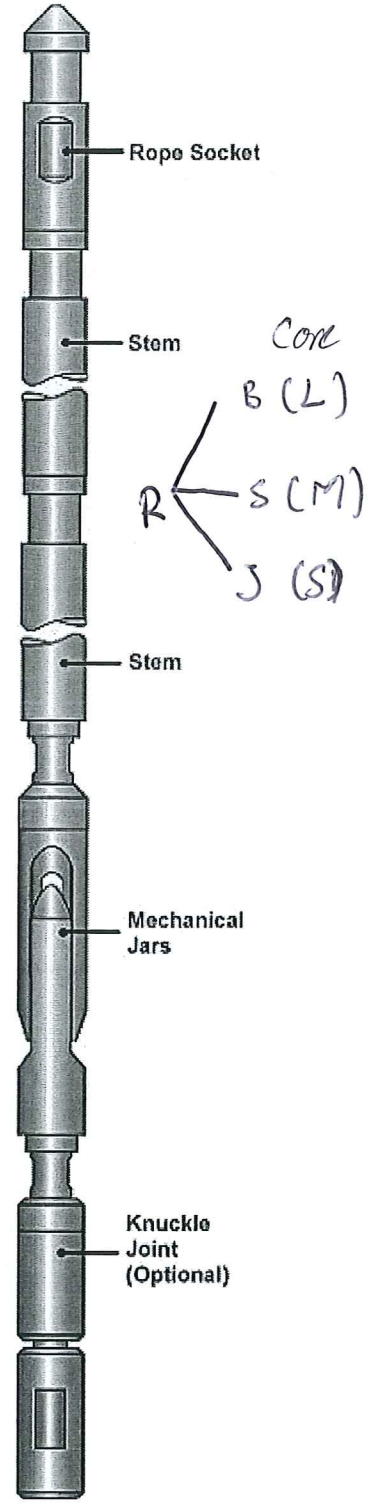


**C. DOWNHOLE EQUIPMENT**

1. List out all basic running and pulling tools

No.	Items
1	SB (Long Core, Short reach)
2	SS (Short Core, Long reach)
3	SM (intermediate core, " reach)
4	RB (Long core, Short reach)
5	RS (Intermediate Core, Intermediate reach)
6	RS (Short core, Long reach)
7	JDC (Long core, Short reach)
8	JDS (Intermediate core, " reach)
9	JDL (Short core, Long reach)
10	JUC (Long core, Short reach)
11	JUS (Intermediate core, " reach)
12	JUL (Short core, Long reach)
13	GS * Shear and release by downward jar action.
14	GR * To shear and release by upward jar action.
15	GU * adapter onto GS pulling tool.
16	
17	
18	
19	
20	

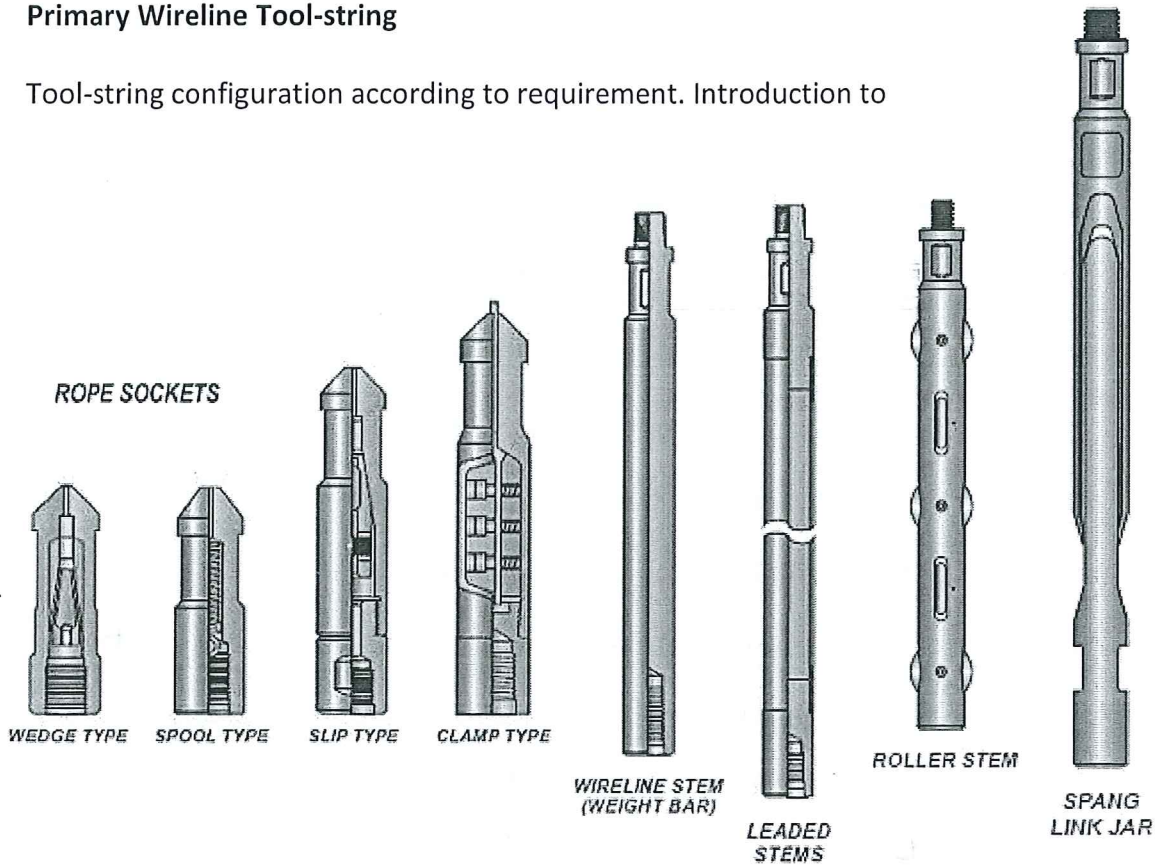
Use mainly SM: to pull gas lift valves.



\* GS + GU = GR

**Primary Wireline Tool-string**

Tool-string configuration according to requirement. Introduction to

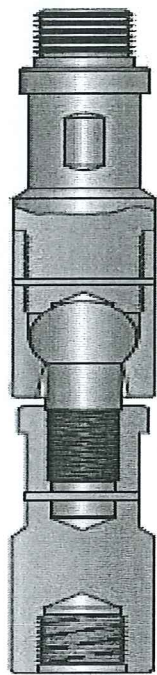


- a) rope sockets  
*To attach the wireline to the tool string.*
- b) stem lead  
*To provide greater weight for the same diameter and length.*
- c) tungsten stem  
*High-density stem.*
- d) roller stem  
*It allows the stem to roll down the tubing well and hence.*

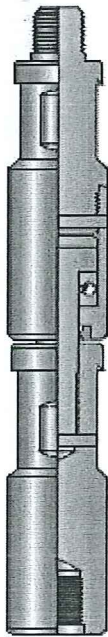


e) jars

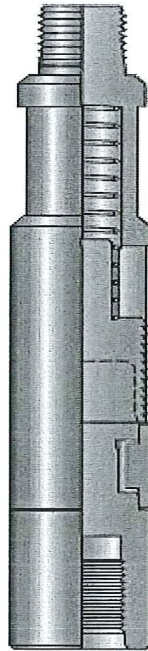
Act as a downhole hammer and provide impact force to operate,  
Set and retrieve downhole equipment.



KNUCKLE JOINT



WIRELINE SWIVEL JOINT



QUICK LOCK COUPLING

f) knuckle joints,  
to offer a degree  
of lateral flexibility

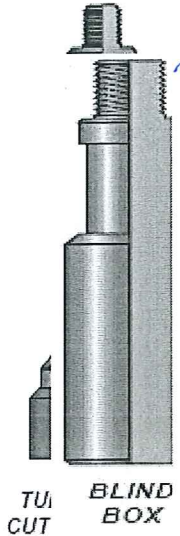
\_\_\_\_\_

\_\_\_\_\_

\_\_\_\_\_

\_\_\_\_\_

\_\_\_\_\_



TU  
CUT      BLIND  
BOX

g) swivel joints,

- To reduce the toolstring change out time at surface during a series of runs in the well.

- This tool consists of top and bottom subs with a swivel arrangement between them

h) quick-lock coupling

QLS: For simple tool make up process

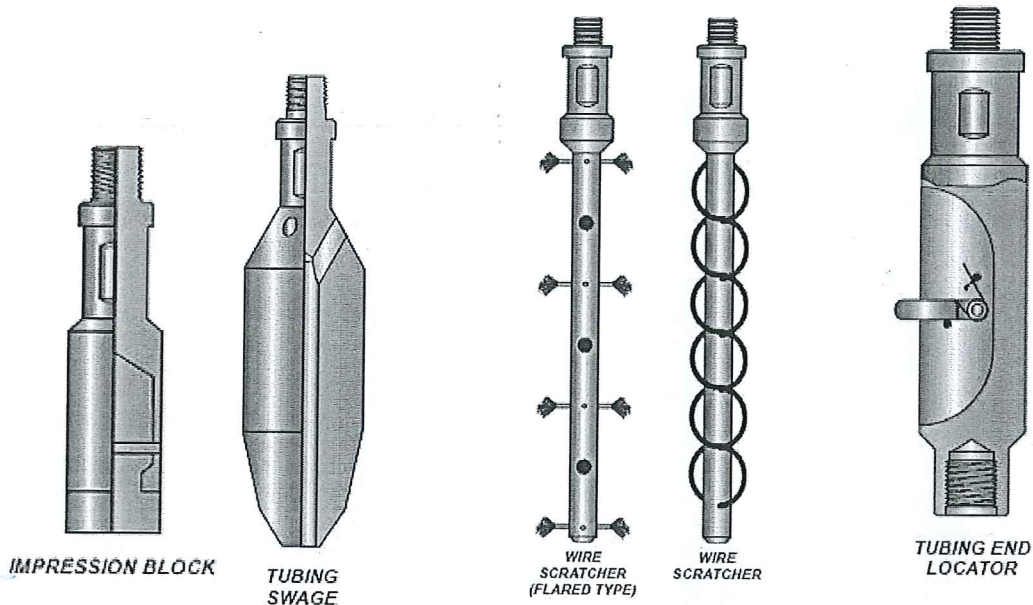
i) gauge cutter,

It is good wireline practice to run Gauge Cutter before starting any wireline operation in well, to check tubing ID and to log the total depth, to locate the nipple ID and NO-GO, to cut sand, scale, perforation and other deposits from the tubing wall

j) Blind Box



The BB is used when heavy downward jarring is required to dislodge a fish or push a tool down the hole. It is set on the bottom and hardened to reduce wear and damage.



k) lead impression box

LIB are used to obtain an image profile of a wide range of equipment downhole to be latched or fished.

l) swage

Used to clean minor restrictions caused by light collapse in the tubing string.

m) wire scratcher

- Pieces of 3/16" braided line or sticline are inserted in these holes.
- They are used to ~~the~~ dislodge scale, salt, paraffin.
- WS also can be used to fish small pieces of wireline lying loose in a well.

n) tubing end locator

- TEL are used to locate the end of the tubing when running the completion as a cross-reference check of the tubing tally.
- They are used also to correlate hold up depth (HUD), or plugged back total depth (PBD) accurately from the bottom of the tubing.

o) wire recover tool

To fish wire

\_\_\_\_\_

\_\_\_\_\_

\_\_\_\_\_

Fill up below Table

<p>A. Size of Wire that use at DB</p> <p>1. <u>0.108"</u></p> <p>2. <u>0.125"</u></p> <p>3. <u>0.140"</u></p>	<p>B. Breaking point of each wire</p> <p>1. <u>2500 lbs</u></p> <p>2. <u>3500 lbs</u></p> <p>3. <u>4050 lbs</u></p>
<p>C. Type of wire used at DB</p> <p>1. <u>ZERON</u></p> <p>2. <u>GLPS</u></p> <p>3. _____</p>	<p>D. How to test if wire is good or not</p> <p>1. <u>Wire pull test</u></p> <p>2. <u>Torsion test</u></p> <p>3. _____</p>
<p>E. Why do we need to check on the tools before running in hole (RIH)?</p> <ul style="list-style-type: none"> <li>- To ensure tool does function</li> <li>- To ensure shear pin didn't melt shear. (SB, RB, GS pulling tool)</li> </ul>	
<p>F. What do we need to do if the tool is damage or lost in hole?</p> <ul style="list-style-type: none"> <li>- Report to town</li> <li>- Consult with w/s</li> <li>- Prepare fishing plan</li> </ul>	



G. What do we need to do if equipment failed to work?

- Report to town (within 30-45 min)
- minor - troubleshoot
- Major - Req for mechanic / technician
  - Req for new equipment.

**D. Rig up Wireline Surface Equipment**

a. List out all surface equipment (Surface and Pressure Gauge)

[Empty rectangular box for listing equipment]