

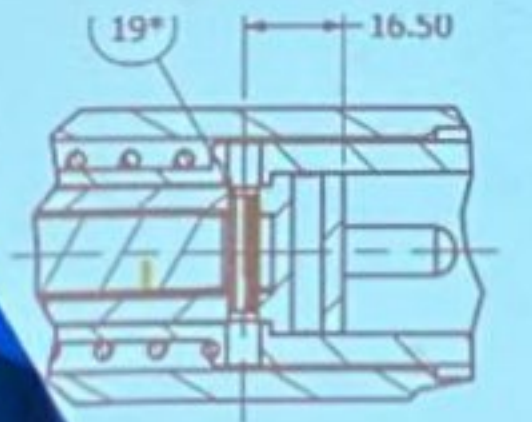




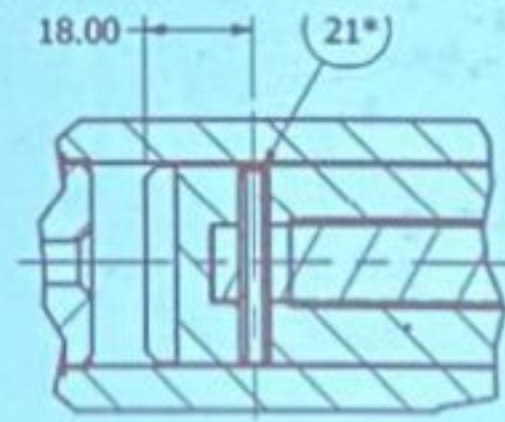
Hunting Jars

Essential maintenance.

- There are two 3/16" Spirol pins, don't use roll pins.
- Soak and clean each Belleville washers individually looking for cracks.
- When stacking the Bellville washers look for flattening or deformation.
- Never leave the jars in the compression state after redress. Always leave them at the lowest setting as to not create a compression failure on the washers.



DETAIL A
& PIN ON ASSEMBLY
16° SLOTTED SPRING PIN



DETAIL B
DRILL & PIN ON ASSEMBLY
TO SUIT 3/16" SLOTTED SPRING PIN

