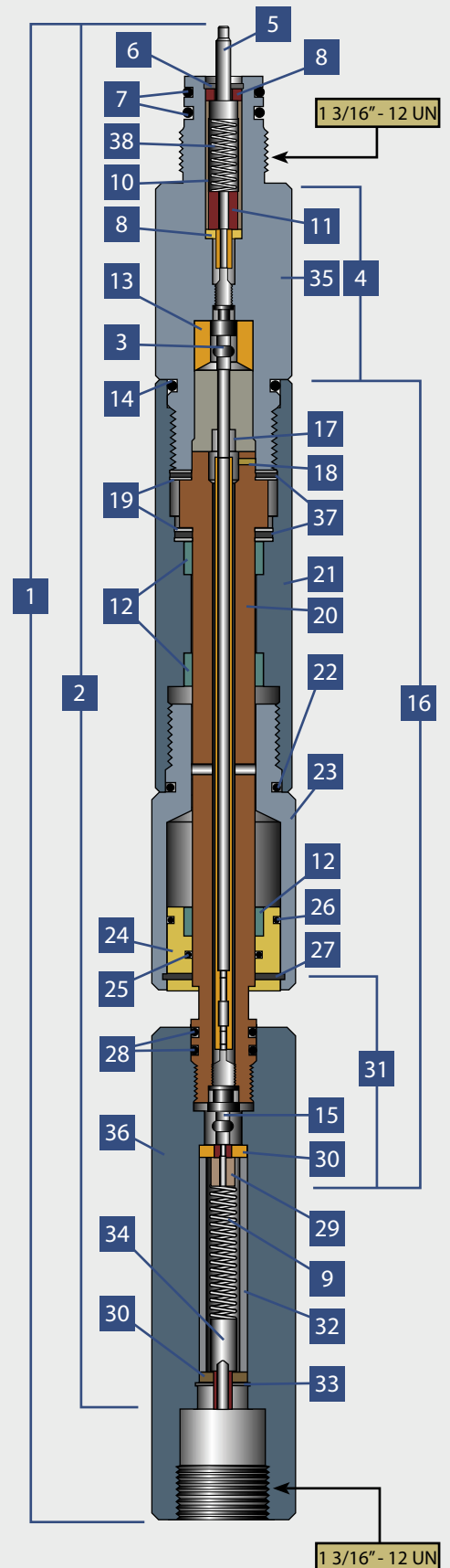


ACCESSORY COMPONENTS

1 1 1/16" Conductor Swivel Assembly

Ref.	Part No.	Description
1	AS7-0006	1 1 1/16" Conductor Swivel Complete Assy
2	KIT-7-0006	Complete Kit Assy *
3	CON-0061	Pressure Connector
4	PSA-020	Contact Assy
5	1.-0033	Contact Plunger
6	HOO-0065	Retainer Ring
7	00V-0211-95	O-Rings: 211
8	1.-0041	Insulating Washer
9	1.-0037-1	Contact Spring
10	1.-0042	Contact Insulator
11	PSA-019	Contact Assy
12	HOO-0073	Bearings
13	1.750-0016	Pressure Connector Insulator
14	00V-0217-95	O-Rings: 217
15	CON-0061A	Pressure Connector
16	PSA-053HA	Contact Assy
17	1.750-0029M	Contact Insulator
18	HOO-0025	6-32 x 3/16" Socket Set Screw
19	HOO-0320	Thrust Bearing
20	1.750-0013	Swivel Shaft
21	1.750-0009	Bearing Housing
22	00V-0217-95	O-Rings: 217
23	1.750-0010	Piston Housing
24	1.750-0012	Piston
25	00V-0018-70	O-Rings: 018
26	00V-0026-70	O-Rings: 026
27	HOO-0262	Retainer Ring
28	000-0113	O-Rings: 113
29	PSA-024	Contact Assy
30	0.625-0051	Contact Insulator
31	PSA-008	Contact Assy
32	1.750-0027	Contact Insulator
33	HOO-0254	Retainer Ring
34	1.750-0028	Contact Plunger
35	1.750-0008	GO Pin Adapter Sub Body
36	1.750-0011	GO Pin Adapter Sub Body
37	HOO-0321	Thrust Bearing Washer
38	1.0037	Contact Spring

* Does not include O-Rings.



**APPLIED
ELECTRONIC
SYSTEMS**

a **Sondex** company

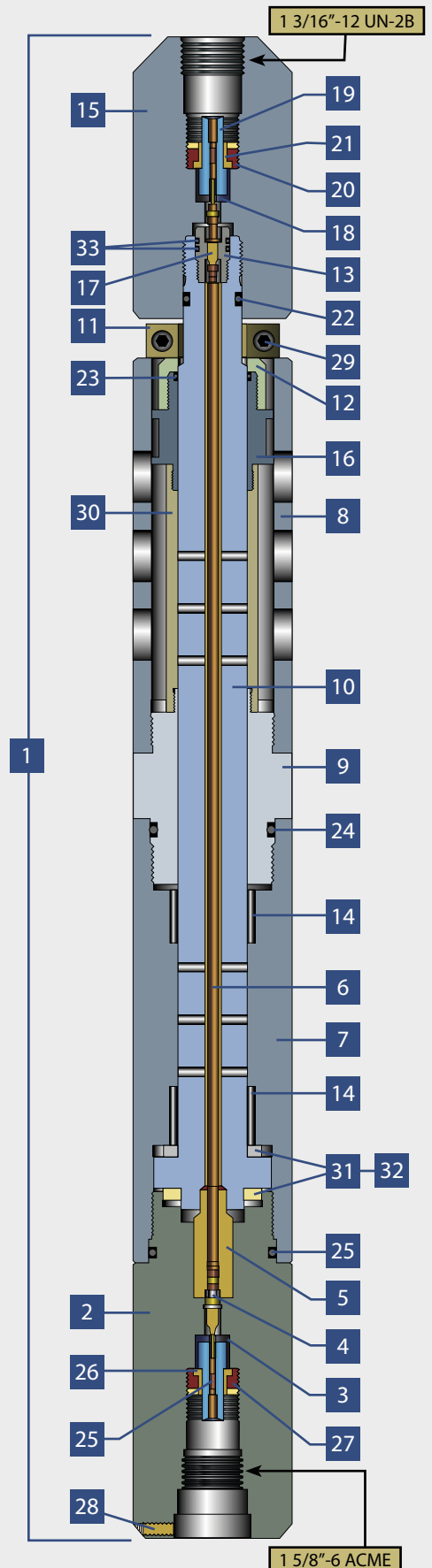
www.aesla.com

ACC0-19

ACCESSORY COMPONENTS

2 7/8" Conductor Swivel Assembly

Ref.	Part No.	Description
1	AS10-0012-2 7/8	2 7/8" Swivel
2	5092	Top Sub
3	3005	Cup Insulator
4	CON-061	Kemlon Connection
5	4090	Swivel Top Insulator
6	4655-1	Contact Rod Assy
7	4050	Bearing Housing
8	4052	Boot Protector
9	4051	Boot Sub
10	4065	Swivel Shaft
11	4094	Split Spacer
12	4060	Boot End Cap
13	5150	Sealed Kemlon Holder
14	HOO-0500	Roller Bearing
15	4075	Connector Sub
16	4059	Boot End Sub
17	CON-061A MOD	Kemlon Connector (Modified)
18	3005	Cup Insulator
19	3006	Contact Assy
20	3029-1	Threaded Retainer Ring
21	3007	Hat Insulator
22	000-0212-95	O-Rings: 212
23	000-0218-70	O-Rings: 218
24	000-0228-95	O-Rings: 228
25	3006	Contact Assy
26	3007	Insulator
27	3029-1	Retainer Ring
28	HOO-0343	Set Screw
29	HOO-0302	1/4" -20 Cap Head Screws
30	BOO-0108	Rubber Boot
31	HOO-0459-1	Thrust Bearings
32	HOO-0459-2	Thrust Washer
33	000-014-95	O-Rings: 014



**APPLIED
ELECTRONIC
SYSTEMS**

a **Sondex** company
www.aesla.com

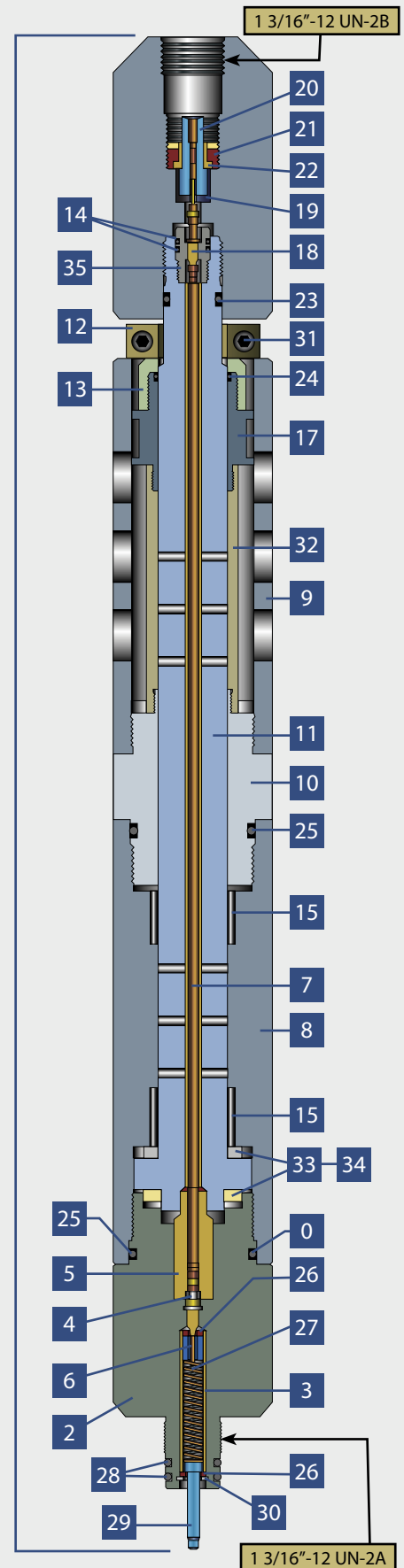
ACC0-20

ACCESSORY COMPONENTS

3 1/8" Conductor Swivel Assembly

Also made with GO Quick Change Connections

Ref.	Part No.	Description
1	AS10-0012	3 1/4" AES Swivel
2	4049	Top Sub
3	2493	Spring Insulator
4	CON061	Kemlon Connection
5	4090	Swivel Top Insulator
6	PSA-024	Contact
7	4655-1	Contact Rod Assy
8	4050	Bearing Housing
9	4052	Boot Protector
10	4051	Boot Sub
11	4065	Swivel Shaft
12	4094	Split Spacer
13	4060	Boot End Cap
14	000-014	O-Rings: 014
15	HOO-0500	Roller Bearing
16	4075	Connector Sub
17	4059	Boot End Sub
18	CON-061A MOD	Kemlon Connector (Modified)
19	3005	Cup Insulator
20	3006	Contact Assy
21	3029-1	Threaded Retainer Ring
22	3007	Hat Insulator
23	000-0212-95	O-Rings: 212
24	000-0218-70	O-Rings: 218
25	000-0228-95	O-Rings: 228
26	1.0041	Insulator
27	1.0037	Spring
28	000-0211	O-Rings: 211
29	1.0033	Plunger
30	HOO-0065	Retainer Ring
31	HOO-0302	1/4" -20 Cap Head Screws
32	BOO-0108	Rubber Boot
33	HOO-0459-1	Thrust Bearings
34	HOO-0459-2	Thrust Washer
35	5150	Sealed Kemlon Holder



**APPLIED
ELECTRONIC
SYSTEMS**

a **Sondex** company

www.aesla.com

ACC0-21