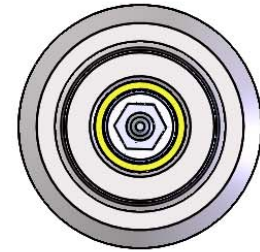
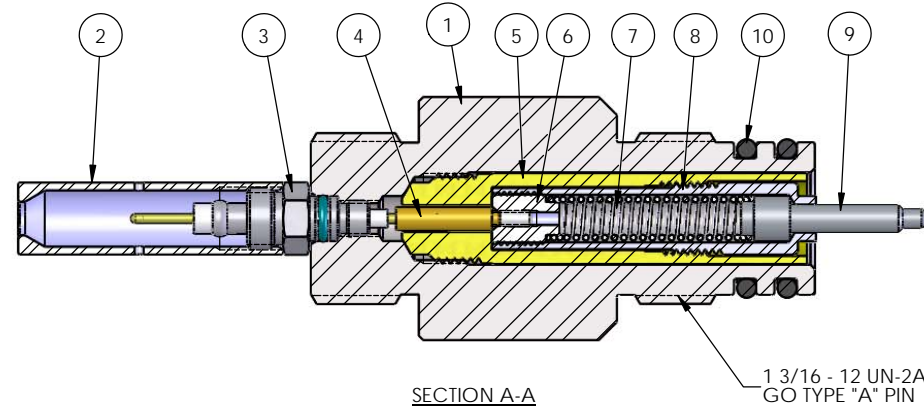
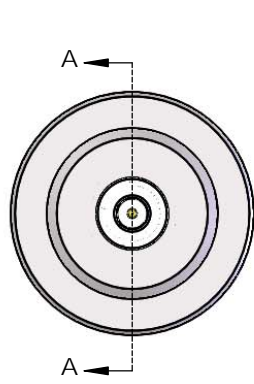
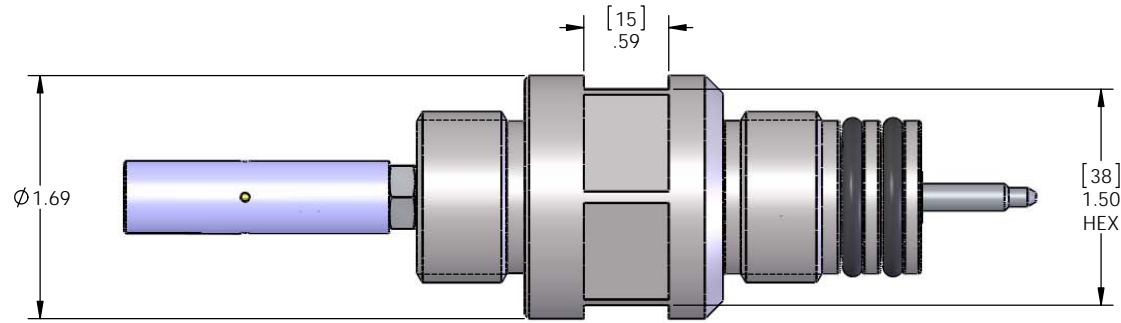


REVISIONS					
REV.	DESCRIPTION	BY	DATE	ECO #	APPROVED
00	RELEASE FOR PRODUCTION	DL	2/24/2014		



ITEM NO.	PART NUMBER	DESCRIPTION	QTY.
1	3903-000-671	CONTACT SUB BODY	1
2	E2100-16-A-01954-01	BOOT RETAINER; K-25 SFT	1
3	E2100-16-B-01848-00	KEMLON FEED THRU	1
4	E2100-16-A-1259-1	CONTACT SOCKET	1
5	3903-000-674	CONTACT INSULATOR	1
6	3903-000-524	CONTACT SCREW	1
7	3901-000-006	CONTACT SPRING	1
8	3903-000-785	CONTACT SOCKET	1
9	3901-000-007	CONTACT PLUNGER	1
10	0111-211-V95	O-RING	2

	UNLESS OTHERWISE SPECIFIED:	NAME	DATE	TITLE:
	DIMENSIONS ARE IN INCHES TOLERANCES: ANGULAR: MACHINE $\pm 1/4^\circ$ ONE PLACE DECIMAL: $\pm .050$ TWO PLACE DECIMAL: $\pm .015$ THREE PLACE DECIMAL: $\pm .005$ FOUR PLACE DECIMAL: $\pm .0005$ COAXIAL DIAMETERS CONCENTRIC: WITHIN .005 MACHINED FINISHES 125 MAX. REMOVE ALL BURRS AND SHARP EDGES MIN. R.010	DRAWN: LANGFORD APPROVED: COMMENTS:	MATERIAL TRACEABILITY REQ'D	CONTACT SUB ASSY. 1 11/16" W/KEMLON FEED THRU
PROPRIETARY AND CONFIDENTIAL THE INFORMATION CONTAINED IN THIS DRAWING IS CONFIDENTIAL AND IS THE SOLE PROPERTY OF HUNTING ENERGY SERVICES. ANY DISCLOSURE OR REPRODUCTION IN PART OR AS A WHOLE WITHOUT THE WRITTEN PERMISSION OF HUNTING ENERGY SERVICES IS PROHIBITED. ©Copyright 2011, Hunting Energy Services. All rights reserved.	FINISH: _____ HEAT TREAT: _____ DO NOT SCALE DRAWING	MATERIAL: Material <not specified>	SIZE: C DWG. NO.: 3903-000-780 SCALE: NONE	REV: 00 WEIGHT: 1.27 LBS. SHEET 1 OF 1