

# AES OVERVIEW

Applied Electronic Systems (AES), a Sondex Company, is the world's foremost supplier of back-off and Free Point equipment. AES, an innovator in the design of electric wireline equipment, also manufactures a comprehensive range of cased holed logging accessories.

Sondex Group – AES' parent company – is a leading supplier of Wireline and Measurement-While-Drilling equipment to oilfield service companies worldwide, and has an excellent reputation for quality and reliability.

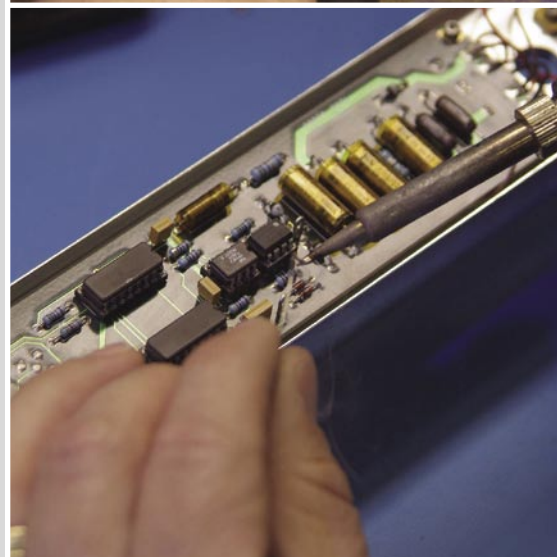
Further information on AES and Sondex products can be obtained by contacting the sales team at your local office or via our websites [www.aesla.com](http://www.aesla.com) or [www.sondex.com](http://www.sondex.com).



# AES CAPABILITIES

AES is continually developing new products for the ever-changing needs of the wireline industry. Our research and development team is actively involved in developing new products along with advancing our current products.

AES stocks the largest selection of wireline tools and accessories in the world – including crossovers, subs, panels and much more. All AES stock products are designed to operate at a temperature of 400° (204° C) and a pressure of 21,000 PSI (144.8MPa).



# CONTACTS

## AMERICAS

### USA

Sondex (USA) Inc.  
1402 FM 2854  
Conroe, Texas 77304, USA  
Tel: +1 936 756 2331  
Fax: +1 936 756 2343  
email: sales@sondex.com

Sondex (USA) Inc.  
9700 Pole Road  
Oklahoma City, OK 73160  
Phone: 405-635-1020  
Fax: 405-635-1030  
email: sales@sondex.com

### Canada

Sondex (Canada) Inc.  
1431 40th Ave NE  
Calgary, Alberta  
Canada T2E 8N6  
Tel: +1 403 235 6533  
Fax: +1 403 235 6737  
email: sales@sondex.com

### Venezuela

Sondex de Venezuela, C. A.  
Avenida Bella Vista, Quinta Marymer  
Maturín, Monagas  
Venezuela  
Tel: +58 291 651 2922 & 652 4517  
Fax: +58 291 652 0795  
email: sales@geolink.co.uk  
or sales@sondex.com

## EUROPE

### UK

#### Head Office

Sondex  
Saxony Way,  
Blackbushe Business Park  
Yateley, Hampshire, GU46 6AB, UK  
Tel: +44 (0) 1252 862 200  
Fax: +44 (0) 1252 862 349  
email: sales@sondex.com

### UK

Geolink  
Walton Road,  
Kirkhill Industrial Estate,  
Dyce, Aberdeen, AB21 0GZ, UK  
Tel: +44 (0) 1224 772 222  
Fax: +44 (0) 1224 772 333  
email: sales@geolink.co.uk

### CIS - Russia

Sondex  
Saxony Way,  
Blackbushe Business Park  
Yateley, Hampshire, GU46 6AB, UK  
Tel: +44 (0)1252 862 200  
Fax: +44 (0)1252 862 349  
email: r22265@mail.ru

## REST OF THE WORLD

### Middle East

Sondex Middle East FZCO  
Jebel Ali Free Zone,  
Warehouse RA08 WB06,  
P.O. Box 18485,  
LOB 16-609,  
Dubai, United Arab Emirates.  
Tel: +97 14 883 6118  
Fax: +97 14 883 6119  
email: sondexme@eim.ae

### Far East

Sondex  
c/o Signature Offices  
8th Floor, West Wing,  
Menara Rohas Perkasa,  
Jalan P Ramlee,  
50450 Kuala Lumpur  
Malaysia  
Tel: +60 (0)3-2719 5517  
Fax: +60 (0)3-2719 5588

### China

Sondex  
C2203 & C2204, Landmark Crystal  
No5 Liangmaqiao Road  
Chaoyang District  
Beijing City  
China 100016  
Tel: +86 10 6432 4890  
Fax: +86 10 6432 4034  
email: sales@sondex.com

### Australia

Sondex S.E Asia  
8 Nisbet Road, Applecross  
Western Australia 6153  
Tel: +61 8 9316 1601  
Fax: +61 8 9316 1601  
email: sales@sondex.com.au

## LOCAL

### USA

Applied Electronic Systems  
208 Ida Rd,  
Broussard, Louisiana 70518, USA  
Tel: +1 337 837 2016 Phone  
Fax: +1 337 837 2429 Fax  
Toll free: 800 523 6114 (only from USA)  
Email: sales@aesla.com

# CONTENTS

## Section 1

Free Point Systems (5 to 43)

## Section 2

Panels (44 to 54)

## Section 3

Casing Collar Locators (55 to 65)

## Section 4

Sinker Bars (66 to 72)

## Section 5

Cable Heads (73 to 81)

## Section 6

Centralizers (82 to 87)

## Section 7

Decentralizers (88 to 103)

## Section 8

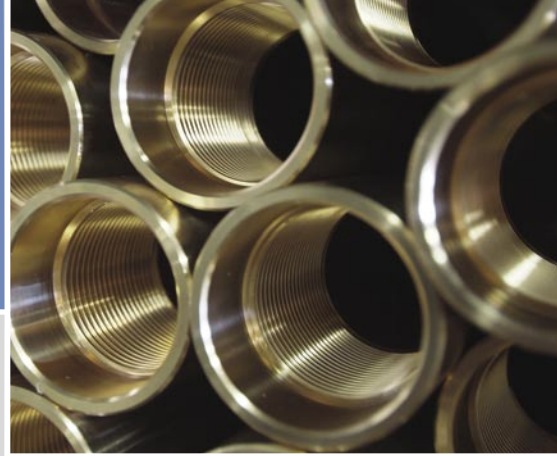
Adaptors (104 to 172)

## Section 9

Accessories (173 to 193)

## Section 10

AES Part Numbers by Product Size (194 to 200)



**APPLIED  
ELECTRONIC  
SYSTEMS**

a **Sondex** company

[www.aesla.com](http://www.aesla.com)

# FREE POINT SPECIFICATIONS



## FREE POINT SYSTEMS

### FREE POINT SYSTEMS

<b>Tool Diameter</b>	11/16" (17.5mm)	1" (25.4mm)	1 3/8" (35mm)	1 5/8" (41.3mm)
<b>Min Pipe Diameter</b>	1.0" (25.4mm)	1.5" (38.1mm)	1.75" (44.5mm)	1.75" (44.5mm)
<b>Max Pipe Diameter</b>	4.5" (114.3mm)	4.5" (114.3mm)	4.5" (114.3mm)	5.625" (142.9mm)
<b>Tool Length</b>	118" (3m)	137.5" (3.49m)	136.75" (3.47m)	133.5" (3.39m)
<b>Tool Weight</b>	9lbs (4.1kg)	20.5lbs (9.3kg)	38lbs (17.3kg)	50lbs (22.7kg)
<b>Max Temperature</b>	500°F (260°C)	500°F (260°C)	500°F (260°C)	500°F (260°C)
<b>Max Pressure</b>	21,000psi (144 MPa)	21,000psi (144 MPa)	21,000psi (144 MPa)	21,000psi (144 MPa)*

\*Note: 1 5/8" HP 30,000 psi (207MPa) Max Pressure



**APPLIED  
ELECTRONIC  
SYSTEMS**

a **Sondex** company  
[www.aesla.com](http://www.aesla.com)

# FREE POINT PRODUCT RANGES

Part No.	Description	Page
----------	-------------	------

## 1 1/16"

AS1-00FP	1 1/16" Free Point Complete Assy	FP0-3
AS1-00FPM	1 1/16" Free Point Complete with Magnet Section	FP0-3

## 1"

AS3-00FP	1" Free Point Complete Assy *	FP0-12
AS3-00FPM	1" Free Point Complete with Magnet Section*	FP0-12

## 1 3/8"

AS4-00FP-16	1 3/8" X 16 Stroke Free Point Complete Assy *	FP0-19
AS4-00FPM	1 3/8" X 16 Stroke Free Point Complete With Magnet Section *	FP0-19

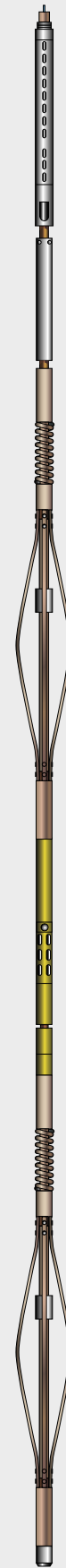
## 1 5/8"

AS6-00FP-16	1 5/8" X 16 Stroke Free Point Complete Assy*	FP0-26
AS6-00FPM-16	1 5/8" X 16 Stroke Free Point Complete With Magnet Section*	FP0-26

## 1 5/8" HIGH PRESSURE

AS6-00FPHP-36	1 5/8" X 36 Stroke Free Point Complete Assy*	FP0-33
---------------	--	--------

\*Options available



**APPLIED  
ELECTRONIC  
SYSTEMS**

a **Sondex** company  
www.aesla.com

# FREE POINT COMPONENTS

## 11/16" Free Point Assembly

Ref.	Part No.	Description
1	AS1-00FP	11/16" Free Point Complete Assy
2	AS1-0002	11/16" Slack Joint Section Complete Assy
3	AS1-0003	11/16" Upper Bow Spring Complete Assy
4	AS1-0004	11/16" Sensor Section Complete Assy
5	AS1-0005	11/16" Lower Bow Spring Complete Assy
6	0.6250031	Shot Rod 1/4 X 5
7	0.6870085	11/16" Shot Rod Bull Plug
8	AS1-0015	11/16" Shot Rod Hanger
9	AS1-0014	Tear Drop Sub
10	AS0-0019	5/8 Resistor Sub
11	0.687-0038	11/16" Freepoint Bull Plug

OPTIONS:

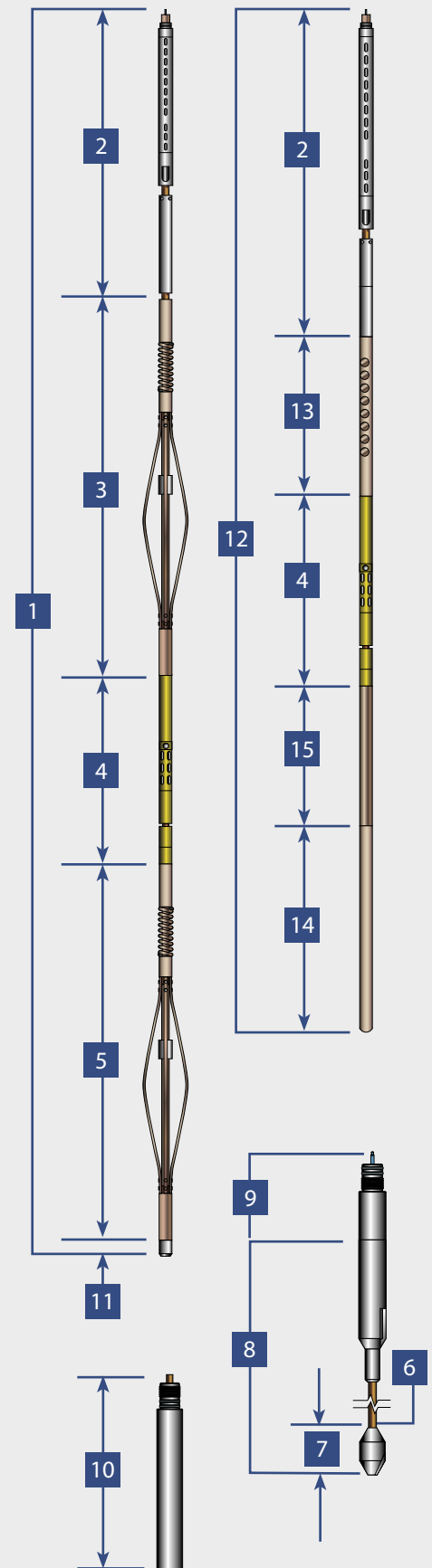
None

## 11/16" Free Point Magnet Tool Assembly

Ref.	Part No.	Description
12	AS1-00FPM	11/16" Free Point Complete Assy with Magnet Section
2	AS1-0002	11/16" Slack Joint Section Complete Assy
4	AS1-0004	11/16" Sensor Section Complete Assy
6	0.6250031	Shot Rod 1/4 X 5
8	AS1-0015	11/16" Shot Rod Hanger
13	AS1-0010	11/16" Upper Magnet Section Assy
14	AS1-0011	11/16" Lower Magnet Section Assy
15	AS1-0012	11/16" Magnet Extension Assy

OPTIONS:

None



**APPLIED  
ELECTRONIC  
SYSTEMS**

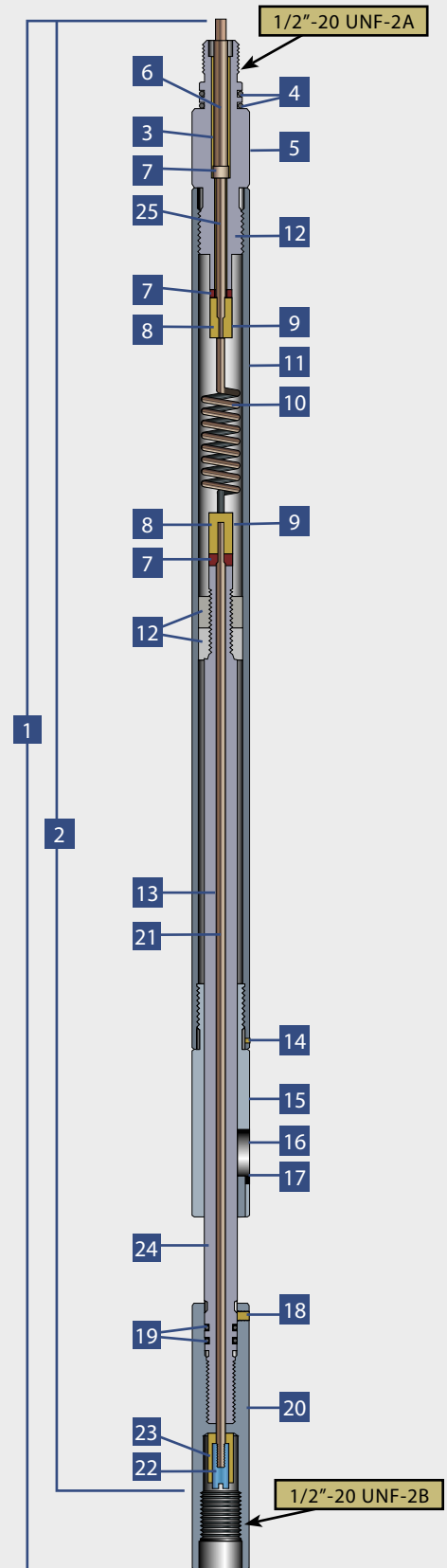
a **Sondex** company  
www.aesla.com

# FREE POINT COMPONENTS

## 1 1/16" Slack Joint Section

Ref.	Part No.	Description
1	AS1-0002	1 1/16" Slack Joint Section Complete Assy
2	KIT-1-0002	Complete Kit Assembly *
3	BOO-0032	Teflon Insulating Sleeve
4	00V-0012-95	O-Rings: 012 V95
5	0.687-0001	1 1/16" Slack Joint Top Sub
6	CON-0011	Spring-loaded Contact
7	0.687-0002	Insulating Washer
8	0.687-0007	Cone Nut
9	HOO-0003	4-40 x 1/8" Socket Set Screw
10	WIR-1041-0.687	Slack Joint Spring
11	0.687-0008	Slack Joint Housing
12	0.687-0051	Slack Joint Mandrel Jam Nuts
13	BOO-0102	Insulating Sleeve
14	HOO-0141	6-32 x 1/8" Socket Set Screws (3)
15	0.687-0010	1 1/16" Slack Joint Guide
16	HOO-0004	4-40 x 1/8" Pan Head Screw
17	HOO-0126-A	Ground Spring
18	HOO-0025	6-32 x 3" Socket Set Screw
19	00V-0010-95	O-Rings: 010 V95
20	0.687-0011	Slack Joint Inner Mandrel Connection Sub
21	0.687-0078	Contact Rod
22	0.687-0012	S.S. Contact
23	0.687-0003	Contact Insulator
24	0.687-0009	Slack Joint Inner Mandrel
25	0.687-0030	6-32x4-40 Contact Rod

\* Does not include O-Rings.



**APPLIED  
ELECTRONIC  
SYSTEMS**

a **Sondex** company

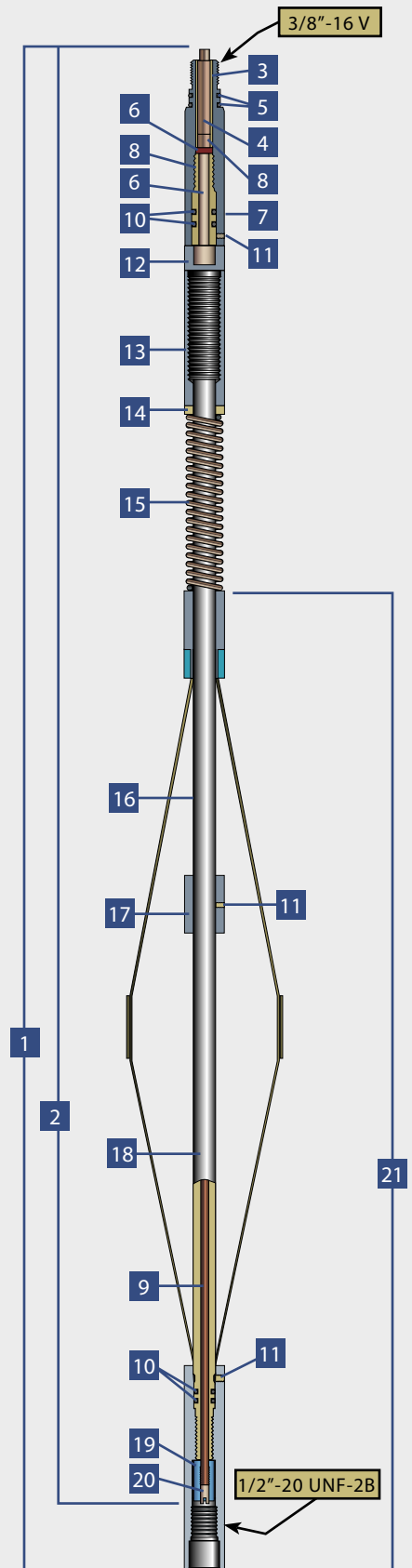
[www.aesla.com](http://www.aesla.com)

# FREE POINT COMPONENTS

## 1 1/16" Upper Bow Spring

Ref.	Part No.	Description
1	AS1-0003	1 1/16" Upper Bow Spring Complete Assy
2	KIT-1-0003	Complete Kit Assy *
3	BOO-0032	Insulating Sleeve
4	CON-0011	Spring-loaded Contact
5	00V-0012-95	O-Rings: 012 V95
6	0.687-0002	Insulating Washer
7	0.687-0014	Upper Spring Mandrel Connection Sub
8	0.687-0031	6-32 to 4-40 Crossover
9	0.687-0082	4-40 Contact Rod
10	00V-0010-95	O-Rings: 010 V95
11	HOO-0141	6-32 x 1/8" Socket Set Screw
12	0.687-0047	Freepoint Adjustment Nut
13	0.687-0050	Freepoint Compression Sleeve
14	0.687-0065	Bow Spring Washer
15	0.687-0025	Compression Spring
16	0.687-0019	Spring Adjustment Sleeve
17	0.687-0020	Freepointing Adjustment Collar
18	0.687-0015	Bow Spring Mandrel
19	0.687-0003	Contact Insulator
20	0.687-0012	S.S. Contact
21	PSA-012	1 1/16" Bow Spring Assy

\*Does not include O-Rings.



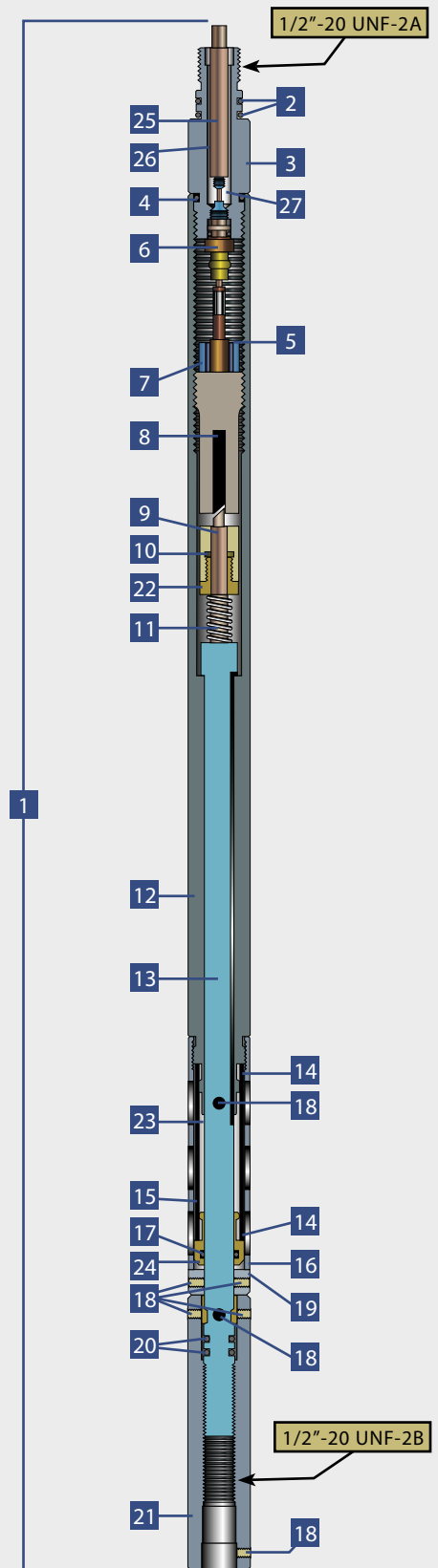
**APPLIED  
ELECTRONIC  
SYSTEMS**

a **Sondex** company  
www.aesla.com

# FREE POINT COMPONENTS

## 1 1/16" Sensor Section

Ref.	Part No.	Description
1	AS1-0004	1 1/16" Sensor Section Complete Assy
2	00V-0012-95	O-Rings: 012 V95
3	0.687-0022	Sensor Connection Sub
4	00V-0013-95	O-Rings: 013 V95
5	HOO-0079	2-56 Socket Set Screw
6	PSA-057	Pre Sub Assy
7	0.687-0029	Sensor Module Jam Nut
8	PSA-050	1 1/16" Sensor Coil Assy
9	3.-0020	Measuring Sensor
10	HOO-0130	Retaining Ring
11	0.687-0027	Sensor Spring
12	0.687-0023	Sensor Housing
13	0.687-0028	Sensor Mandrel
14	WIR-1042	Boot Safety Wire
15	BOO-0051	Boot
16	0.687-0032	Boot Protector
17	00V-0011-75	O-Rings: 011 V75
18	HOO-0025	6-32 x 3/16" Set Screw
19	0.687-0034	Sensor Mandrel Jam Nut
20	00V-0009-95	O-Rings: 009 V95
21	0.687-0035	Sensor & Lower Mandrel Connection Sub
22	3.-0026	Measuring Sensor Cap
23	0.687-0067	Sensor Mandrel Collar
24	0.687-0033	Boot End Cap
25	CON-0011	Spring-loaded Contact
26	BOO-0032	Insulating Sleeve
27	0.687-0090	Insulator



**APPLIED  
ELECTRONIC  
SYSTEMS**

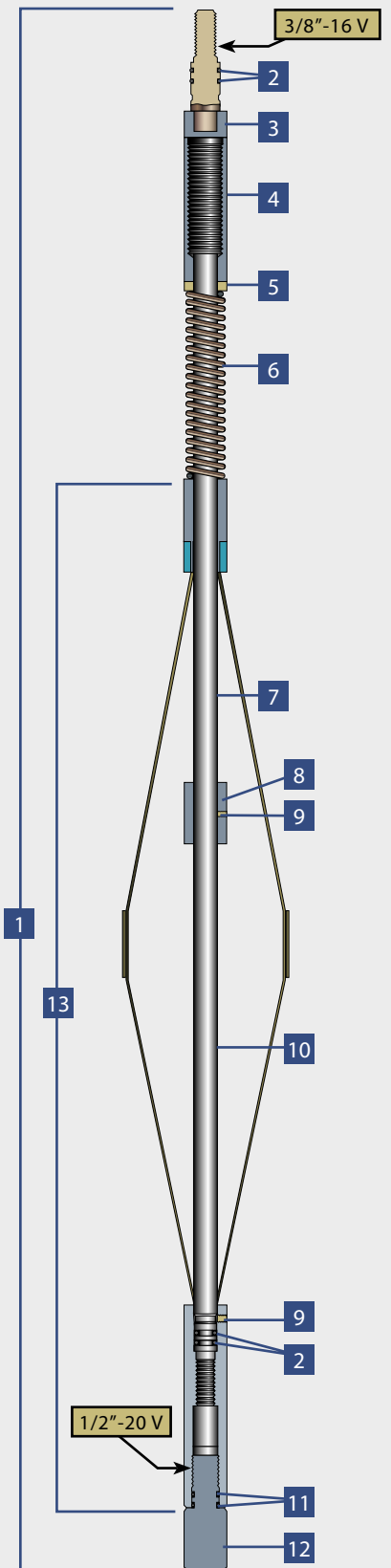
a **Sondex** company  
www.aesla.com

# FREE POINT COMPONENTS

## 11/16" Lower Bow Spring

Ref.	Part No.	Description
1	AS1-0005	11/16" Lower Bow Spring Complete Assy
2	00V-0010-95	O-Rings: 010 V95
3	0.687-0047	Freepoint Adjustment Nut
4	0.687-0050	Freepoint Compression Sleeve
5	0.687-0065	Bow Spring Washer
6	0.687-0025	11/16" Compressions Spring
7	0.687-0019	Freepoint Spring Adjustment Sleeve
8	0.687-0020	Freepoint Adjustment Collar
9	HOO-0141	6-32 x 1/8" Socket Set Screw
10	0.687-0036	11/16" Lower Bow Spring Mandrel
11	00V-0012	O-Rings: 012 V95
12	0.687-0038	11/16" Freepoint Bull Plug
13	PSA-012	11/16" Bow Spring Assy

\*Does not include O-Rings.



**APPLIED  
ELECTRONIC  
SYSTEMS**

a **Sondex** company

[www.aesla.com](http://www.aesla.com)

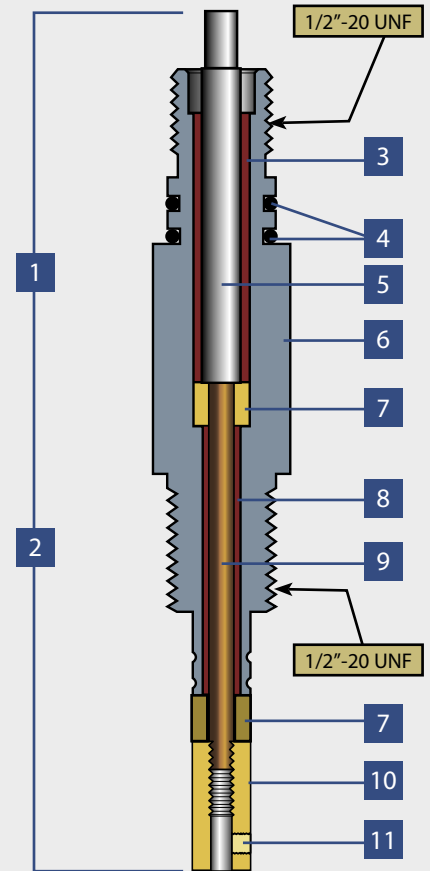
FP0-7

# FREE POINT COMPONENTS

## 11/16" Tear Drop Sub

Ref.	Part No.	Description
1	AS1-0014	11/16" Tear Drop Sub Complete Assy
2	KIT-1-0014	Complete Kit Assy *
3	BOO-0032	Insulating Sleeve
4	00V-0012	O-Rings: 012 V95
5	CON-0011	Spring Loaded Contact
6	0.687 - 0086	11/16" Tear Drop Sub Body
7	0.687-0002	Insulating Washer
8	B00-0096	Insulating Sleeve
9	0.687-0030	6-32 to 4-40 Contact Rod
10	0.687-007	11/16" Contact Receptacle
11	H00-0003	4-40 x 1/8" Socket Set Screw

\* Does not include O-Rings



**APPLIED  
ELECTRONIC  
SYSTEMS**

a **Sondex** company

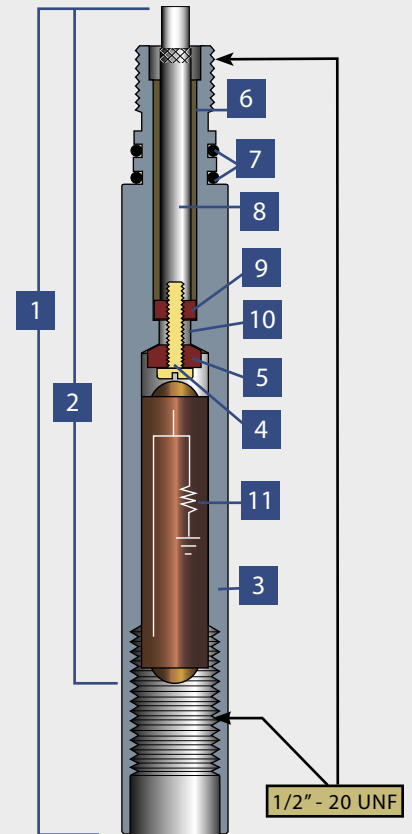
[www.aesla.com](http://www.aesla.com)

# FREE POINT COMPONENTS

## 5/8" Resistor Sub Complete Assembly

Ref.	Part No.	Description
1	ASO-0019	5/8" Resistor Sub Complete Assy
2	KIT-0-0019	Complete Kit Assy *
3	0.625-0071	Contact Sub Body
4	HOO-0153	6-32 Contact Rod
5	0.625-0070	Beveled Insulating Washer
6	BOO-0032	Insulating Sleeve
7	00V-0012	O-Rings: 012 V95
8	CON-0011	Spring Loaded Contact
9	0.687-0002	Insulating Washer
10	BOO-0096	Insulating Sleeve
11	PSA-033	Resistor Cartridge

\* Does not include O-Rings



**APPLIED  
ELECTRONIC  
SYSTEMS**

a **Sondex** company

[www.aesla.com](http://www.aesla.com)

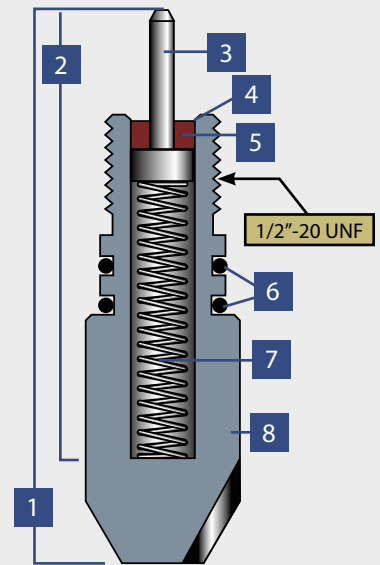
FP0-9

# ADAPTOR COMPONENTS

## 5/8" AES Bull Plug

Ref.	Part No.	Description
1	AS0-0006	AES 5/8" Bull Plug Complete Assy
2	KIT-0-0006	Complete Kit Assy *
3	0.625-0026	Contact Plunger
4	HOO-0326	Retainer Ring
5	0.625-0025	Contact Washer
6	000-0012	O-Rings: 012
7	HOO-0251	Contact Spring
8	0.625-0021	Bull Plug Body

\* Does not include O-Rings



**APPLIED  
ELECTRONIC  
SYSTEMS**

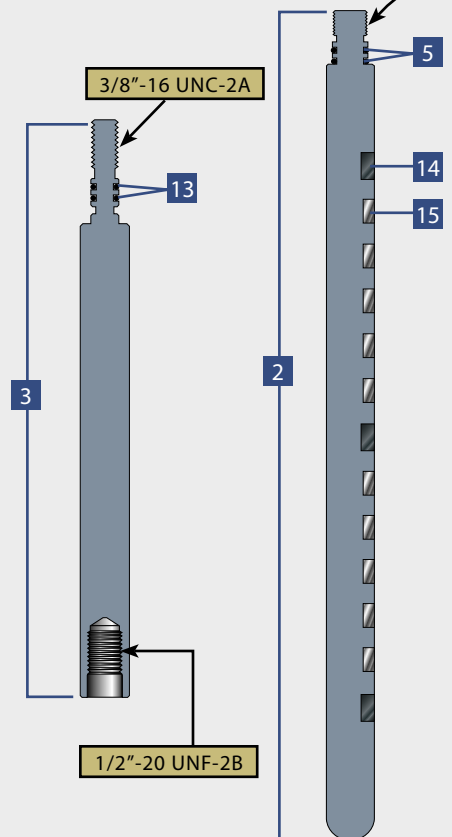
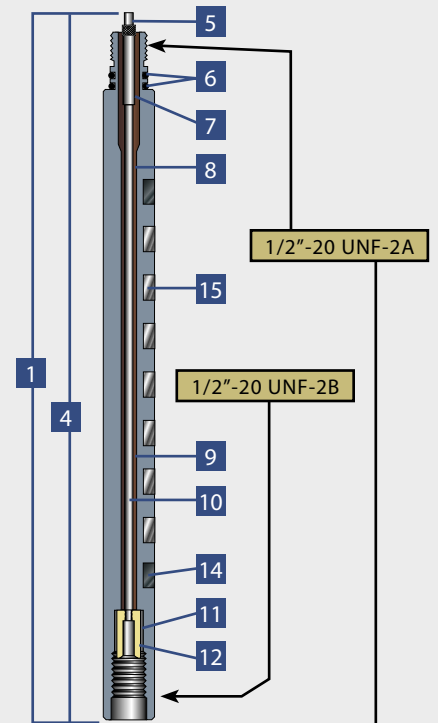
a **Sondex** company  
[www.aesla.com](http://www.aesla.com)

# FREE POINT COMPONENTS

## 1 1/16" Magnet Section Assemblies

Ref.	Part No.	Description
1	AS1-0010	1 1/16" Upper Magnet Section Assy
2	AS1-0011	1 1/16" Lower Magnet Section Assy
3	AS1-0012	1 1/16" Magnet Extension Assy
4	KIT-1-0010	Complete Kit Assy *
5	CON-0011	Spring-loaded Contact
6	000-0012	O-Rings: 012
7	BOO-0032	Insulating Sleeve
8	0.687-0002	Insulating Washer
9	BOO-0096	Insulating Sleeve
10	0.687-0073	6-32 Contact Rod
11	0.687-0003	Contact Insulator
12	0.687-0072	6-32 Contact
13	000-0010	O-Rings: 0010
14	HOO-0318	Carbide Pad
15	HOO-0290	Magnet

\*Does not include O-Rings.



**APPLIED  
ELECTRONIC  
SYSTEMS**

a **Sondex** company

[www.aesla.com](http://www.aesla.com)

# FREE POINT COMPONENTS

## 1" Free Point Assembly

Ref.	Part No.	Description
12	AS3-00FP	1" Free Point Tool Assy
1	AS3-0009	1" Slack Joint Section Complete Assy
2	AS3-0012	1" Upper & Lower Bow Spring Complete Assy
3	AS3-0011	1" Sensor Section Complete Assy
4	AS3-0006	1" Bull Plug Grounding
5	AS3-0022	1" Combination Diode Sub
6	AS30002	1" Shot Rod Hanger
7	1.3750131	Shot Rod 3/8 x 5 Feet
8	1.0125	1" Shot Rod Plug F/3/8" Rod

### OPTIONS:

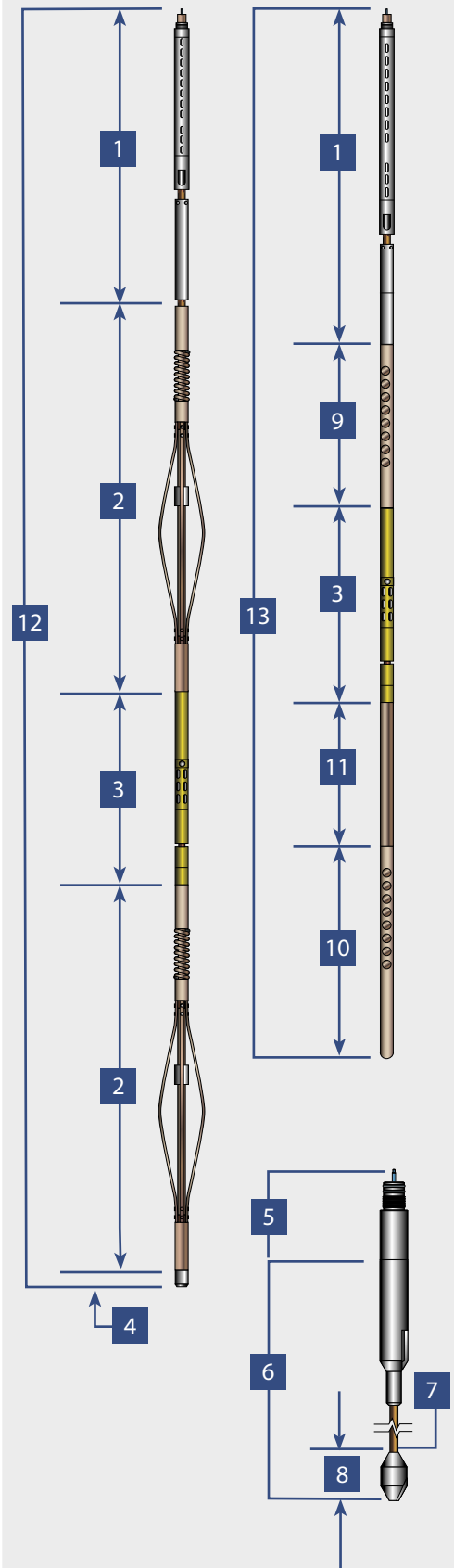
AS3-0011PC Sensor Section - Piston Compensation

## 1" Free Point Magnet Tool Assembly

Ref.	Part No.	Description
13	AS3-00FPM	1" Free Point Complete with Magnets
1	AS3-0009	1" Slack Joint Section Complete Assy
3	AS3-0011	1" Sensor Section Complete Assy
6	AS30002	1" Shot Rod Hanger
7	1.3750131	Shot Rod 3/8 x 5 Feet
9	AS3-0031	1" Upper Magnet Section Assy
8	1.0125	1" Shot Rod Plug F/3/8" Rod
10	AS3-0032	1" Lower Magnet Section Assy
11	AS3-0033	1" Magnet Extension Assy

### OPTIONS:

AS3-0011PC Sensor Section - Piston Compensation



**APPLIED  
ELECTRONIC  
SYSTEMS**

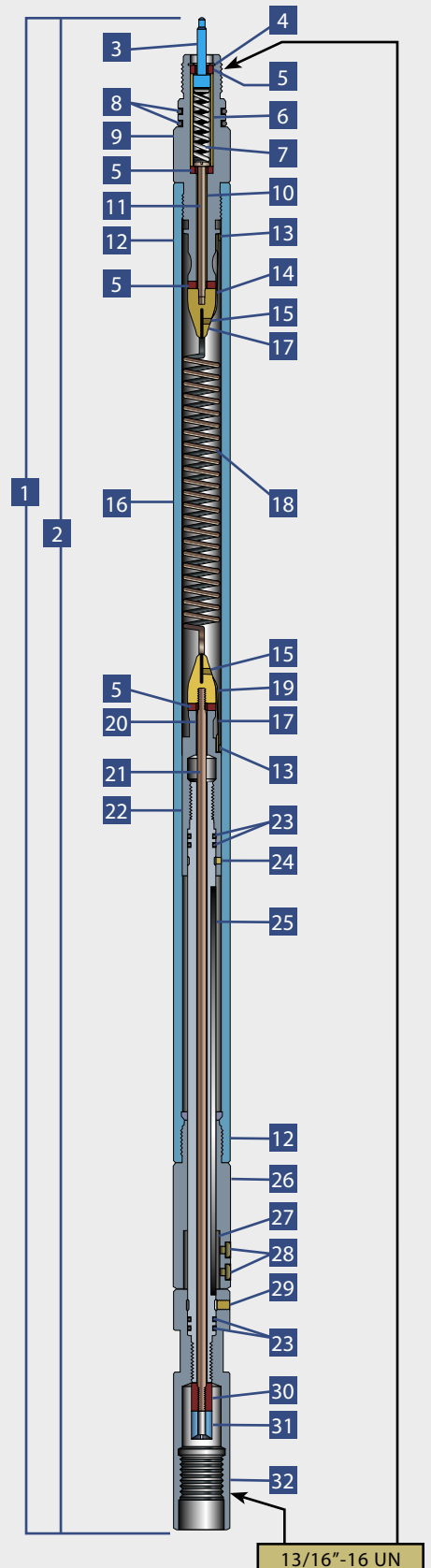
a **Sondex** company  
www.aesla.com

# FREE POINT COMPONENTS

## 1" Free Point Slack Joint

Ref.	Part No.	Description
1	AS3-0009	1" AES Slack Joint Complete Assy
2	KIT-3-0009	Complete Kit Assy *
3	1.-0033	Contact Plunger
4	HOO-0065	Retainer Ring
5	1.-0041	Insulating Washer
6	1.-0042	Contact Insulator
7	1.-0037	Contact Spring
8	00V-0115-95	O-Rings: 115 V95
9	1.-0001	1" Slack Joint Top Sub
10	BOO-0032	Teflon Insulating Sleeve
11	HOO-0268	10-32 x 2 3/8" Pan Head Screw
12	HOO-0046	10-32 x 1/8" Set Screw
13	HOO-0004	4-40 x 1/8" Socket Set Screw
14	1.375-0139	10-32 Cone Nut
15	HOO-0141	6-32 x 1/8" Socket Set Screw
16	1.-0002	1" Slack Joint Housing
17		Ground Wire
18	WIR-1040-1.000	Electrical Spring
19	1.-0126	6-32 Cone Nut
20	BOO-0096	Insulating Sleeve
21	1.-0224	6-32 Contact Rod
22	1.-0005	Slack Joint Inner Mandrel End Connection
23	00V-0012-95	O-Rings: 012 V95
24	HOO-0046	10-32 x 1/8" Set Screw
25	1.-0004	Slack Joint Inner Mandrel
26	1.0003	Slack Joint Guide
27	1.-0003A	Slack Joint Key
28	HOO-0170	6-32 x 1/4" Button Head Screw
29	HOO-0050	10-32 x 1/4" Set Screw
30	1.-0169	Contact Insulator
31	1.-0095	S.S. Contact
32	1.-0006	Inner Mandrel Connection Sub

\* Does not include O-Rings.



**APPLIED  
ELECTRONIC  
SYSTEMS**

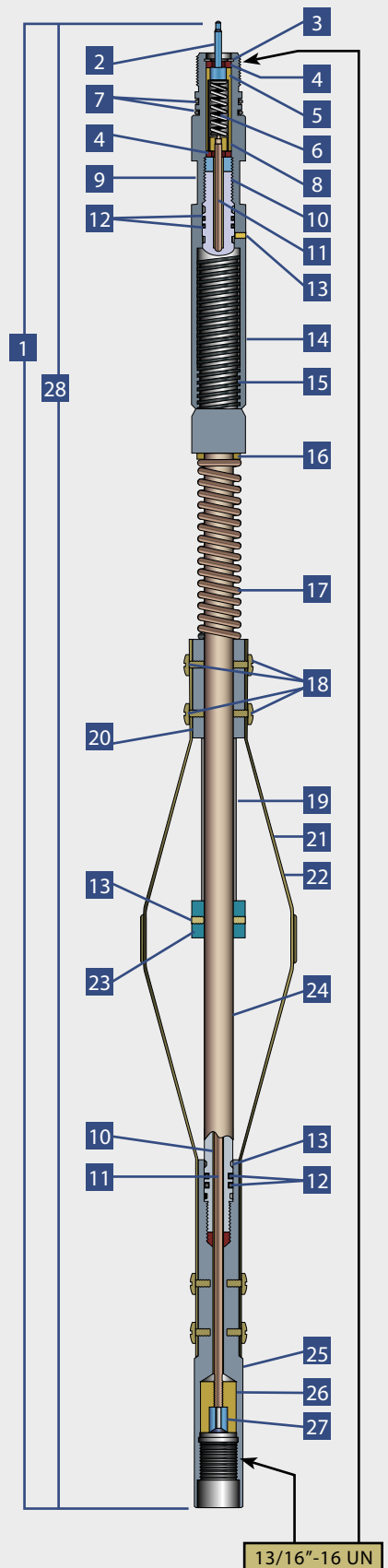
a **Sondex** company  
[www.aesla.com](http://www.aesla.com)

# FREE POINT COMPONENTS

## 1" Free Point Upper & Lower Bow Spring

Ref.	Part No.	Description
1	AS3-0012	1" Upper or Lower Bow Spring Section Assy
2	1.-0033	Contact Plunger
3	HOO-0065	Retainer Ring
4	1.-0041	Insulating Washer
5	1.-0042	Contact Insulator
6	1.-0037	Contact Spring
7	00V-0115-95	O-Rings: 115 V95
8	1.-0040	Contact Receptacle
9	1.-0007	Spring Mandrel Connection Sub
10	BOO-0096	Insulating Sleeve
11	1.-0207	Contact Rod
12	00V-0012-95	O-Rings: 012 V95
13	HOO-0046	10-32 x 1/8" Set Screw
14	1.-0010	Adjustment Nut
15	1.-0009	1" Freepoint Compression Sleeve
16	1.-0011	1" Compression Sleeve Washer
17	HOO-0093	1" Freepoint Coil Spring
18	HOO-0048	10-32 x 3/16" Button Head Cap Screw
19	1.-0013	Spring Adjustment Sleeve
20	1.-0012	1" Freepoint Bow Spring Collar
21	OMF-0003	5/8" x 16" Bow Spring-Slick
22	OMF-0003-1	5/8" x 16" Bow Spring-Carbide
23	1.-0014	Adjustment Collar
24	1.-0008	1" Freepoint Bow Spring Mandrel
25	1.-0015	1" Freepoint Bow Spring Anchor
26	1.-0043	Contact Insulator
27	1.-0095	Contact Receptacle
28	KIT-3-0012	Complete Kit Assy *

\*Does not include O-Rings.



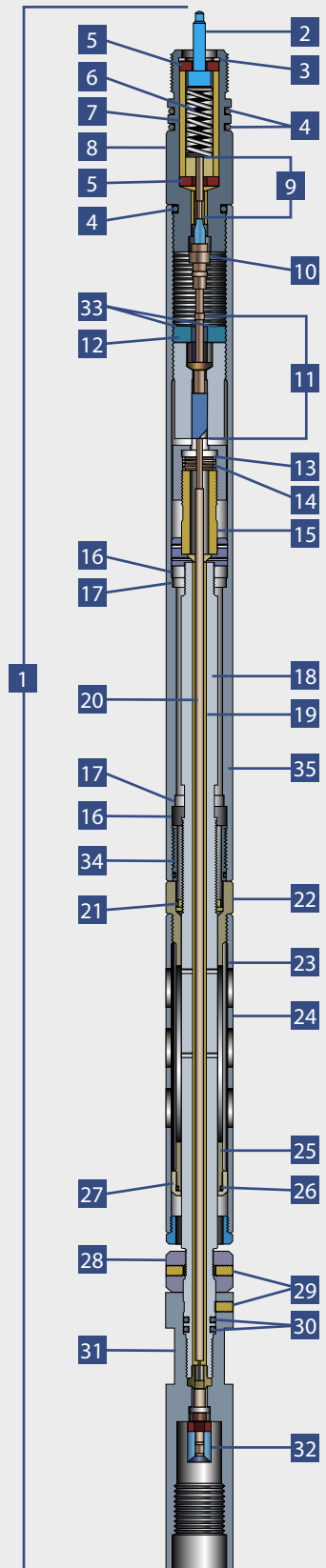
**APPLIED  
ELECTRONIC  
SYSTEMS**

a **Sondex** company  
[www.aesla.com](http://www.aesla.com)

# FREE POINT COMPONENTS

## 1" Free Point Sensor

Ref.	Part No.	Description
1	AS3-0011	1" Freepoint Sensor Section Complete Assy
2	1.-0033	Contact Plunger
3	HOO-0065	Retainer Ring
4	00V-0115-95	O-Rings: 115 V95
5	1.-0041	Insulating Washer
6	1.-0037	Contact Spring
7	1.-0042	Contact Insulator
8	1.-0016	Sensor Connection Sub
9	PSA-019	Pressure Connection Contact Assy
10	CON-0015	Pressure Connector
11	PSA-051	Sensor Coil Assy
12	1.-0018	Sensor Jam Nut
13	3.-0013	Measuring Sensor
14	1.-0038	Sensor Spring
15	3.-0001	Slip Clutch Assy
16	HOO-0077	Thrust Bearings
	HOO-0078	Thrust Washer
17	HOO-0074	Bearings
18	1.-0019	Sensor Mandrel
19	BOO-0096	Insulating Sleeve
20	PSA-028	Sensor Contact Rod Assy
21	1.-0021	Jam Nut
22	1.-0022	Sensor Mandrel Boot Sub
23	BOO-0050	Boot
24	1.-0025	Boot Protector
25	1.-0023	Sensor Mandrel Boot Seal
26	00V-0013-75	O-Rings: 013 V75
27	1.-0024	Boot Seal Cover
28	1.-0044	Sensor Mandrel Jam Nut
29	HOO-0050	10-32 x 1/4" Socket Set Screw
30	00V-0011-95	O-Rings: 011 V95
31	1.-0027	Sensor Mandrel Connection Sub
32	1.375-0031	Pressure Connection Insulator
33	HOO-0298	6-32 x 5/8" Socket Head Cap Screw
34	1.-0020	Adjustment Nut
35	1.-0017	Sensor Housing



**APPLIED  
ELECTRONIC  
SYSTEMS**

a **Sondex** company

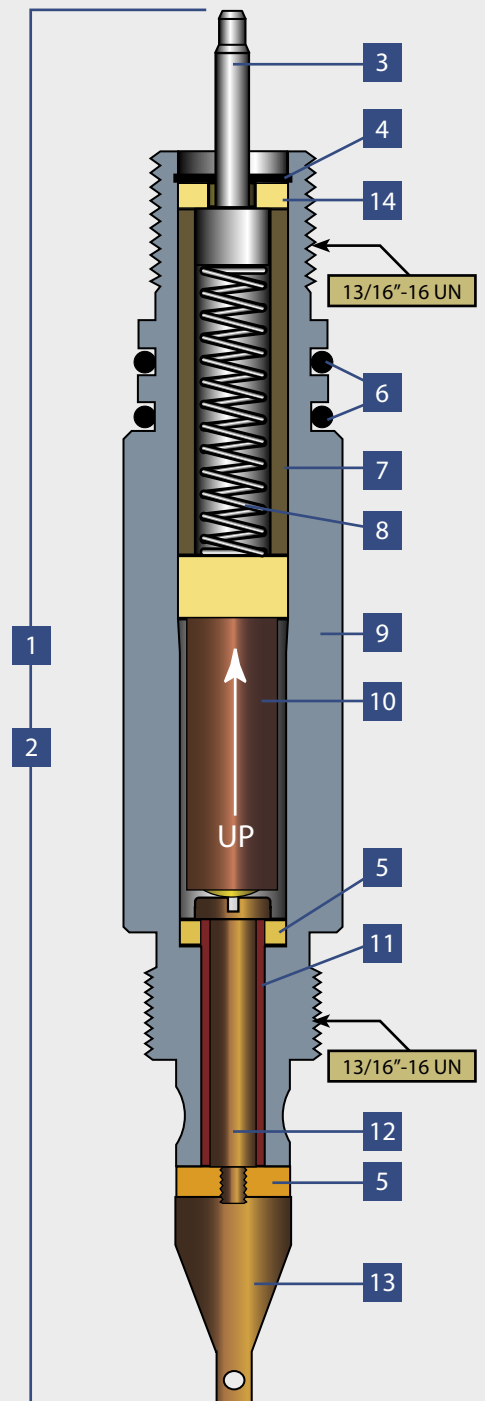
[www.aesla.com](http://www.aesla.com)

# FREE POINT COMPONENTS

## 1" Combination Diode Sub

Ref.	Part No.	Description
1	AS3-0022	1" AES Combination Diode Sub Complete Assembly
2	KIT-3-0022	Complete Kit Assembly *
3	1.-0033	Contact Plunger
4	HOO-0181	Retainer Ring
5	0.500-0005	Insulating Washer
6	00V-0115-95	O-Rings: 115 V95
7	1.-0235	Contact Insulator
8	1.-0037	Contact Spring
9	1.-0051	Contact Sub Body
10	PSA-029	Diode Cartridge Assembly (47 OHM)
11	BOO-0032	Insulating Sleeve
12	HOO-0096	Contact Rod
13	1.375-0030	10-32 Cone Nut
14	1.-0234	Insulating Washer

\* Does not include O-Rings



**APPLIED  
ELECTRONIC  
SYSTEMS**

a **Sondex** company  
[www.aesla.com](http://www.aesla.com)

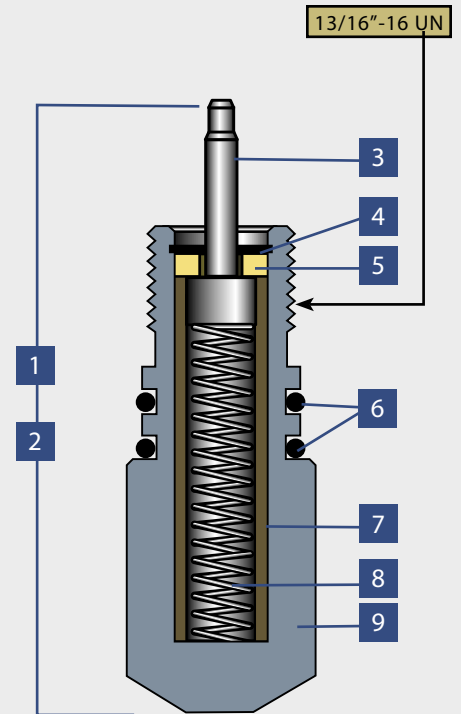
FP0-16

# FREE POINT COMPONENTS

## 1" Grounded Bull Plug

Ref.	Part No.	Description
1	AS3-0006	1" Bull Plug Complete Assembly
2	KIT-3-0006	Complete Kit Assembly *
3	1.-0033	Contact Plunger
4	HOO-0065	Retainer Ring
5	1.-0041	Insulating Washer
6	00V-0115-95	O-Rings: 115 V95
7	1.0042	Contact Insulator
8	1.-0037	Contact Spring
9	1.-0030	Contact Sub Body

\* Does not include O-Rings



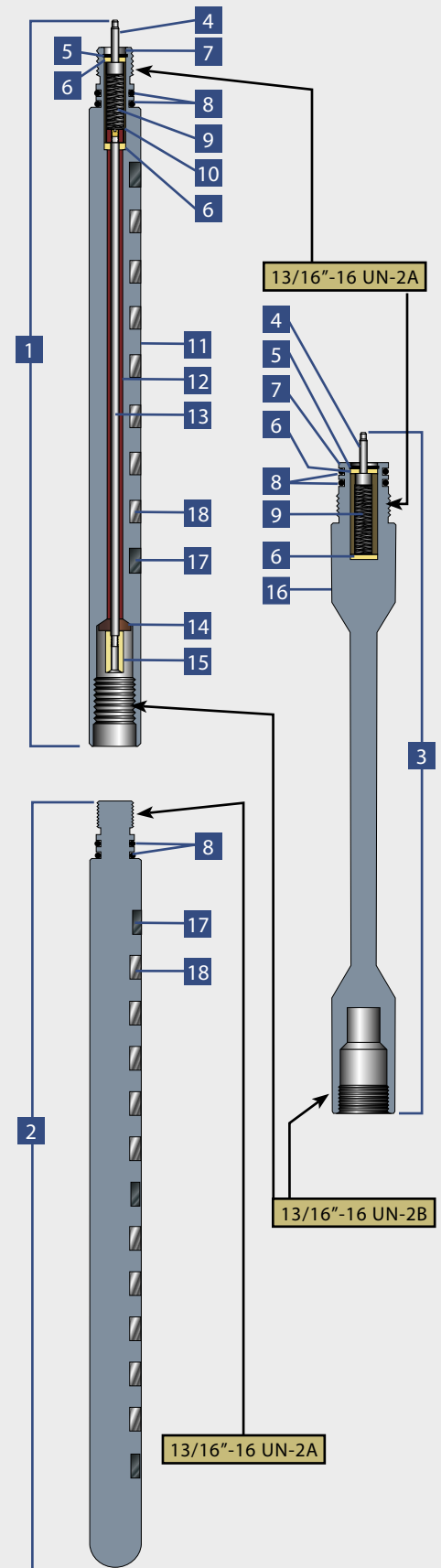
**APPLIED  
ELECTRONIC  
SYSTEMS**

a **Sondex** company  
[www.aesla.com](http://www.aesla.com)

# FREE POINT COMPONENTS

## 1" Free Point Magnet Tools

Ref.	Part No.	Description
1	AS3-0031	1" Upper Magnet Section Complete Assy
2	AS3-0032	1" Lower Magnet Section Complete Assy
3	AS3-0033	1" Magnet Tool Extension Complete Assy
4	1.-0033	Contact Plunger
5	HOO-0065	Retainer Ring
6	1.-0041	Insulating Washer
7	1.-0042	Contact Insulator
8	000-0115	O-Rings: 115
9	1.-0037	Contact Spring
10	1.-0040	Contact Receptacle
11	1.-0179	1" Upper Magnet Section Body
12	BOO-0096	Insulating Sleeve
13	1.-0219	10-32 Contact Rod
14	1.-0086	Beveled Insulating Washer
15	1.-0031	Contact Receptacle
16	1.-0181	1" Magnet Extension Body
17	HOO-0317	Carbide Pad
18	HOO-0290	Magnet



**APPLIED  
ELECTRONIC  
SYSTEMS**

a **Sondex** company  
[www.aesla.com](http://www.aesla.com)

# FREE POINT COMPONENTS

## 1 3/8" Free Point Assembly

Ref.	Part No.	Description
12	AS4-00FP-16	1 3/8" Free Point Tool with 16" Stroke
1	AS4-0016-16	1 3/8" AES Slack Joint Section Complete Assy
2	AS4-0017	1 3/8" AES Upper & Lower Bow Spring Complete Assy
3	AS4-0018	1 3/8" AES Sensor Section Complete Assy
4	AS4-0020	1 3/8" Grounded Bull Plug
5	AS4-0035	1 3/8" Combination Diode Sub
6	AS4-0002	1 3/8" Shot Rod Hanger
7	1.3750131	Shot Rod 3/8" x 5ft
8	1.3750117	1 3/8" Bull Plug Shot Rod

### OPTIONS:

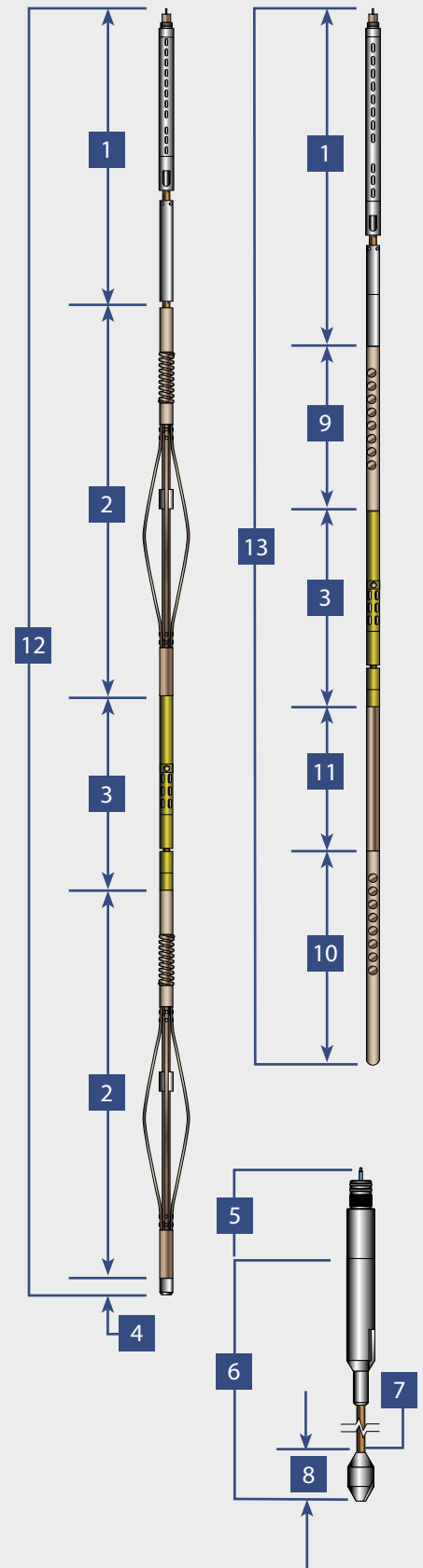
AS4-0018PC	Sensor Section - Piston Compensation
AS4-0017-4	Bow Springs: 4 sided
AS4-0088	Bow Springs: 3 sided casing
AS4-0088-4	Bow Springs: 4 sided casing
AS4-0016-24	Slack Joint: 24" stroke
AS4-0016-36	Slack Joint: 36" stroke

## 1 3/8" Free Point Magnet Tool Assembly

Ref.	Part No.	Description
13	AS4-00FPM	1 3/8" Free Point Tool with Mangets
1	AS4-0016-16	1 3/8" AES Slack Joint Section Complete Assy
3	AS4-0018	1 3/8" AES Sensor Section Complete Assy
5	AS4-0035	1 3/8" Combination Diode Sub
6	AS4-0002	1 3/8" Shot Rod Hanger
7	1.3750131	Shot Rod 3/8" x 5ft
8	1.3750117	1 3/8" Bull Plug Shot Rod
9	AS4-0085	1 3/8" Upper Magnet Section Assy
10	AS4-0086	1 3/8" Lower Magnet Section Assy
11	AS4-0087	1 3/8" Magnet Extension Assy

### OPTIONS:

AS4-0018PC	Sensor Section - Piston Compensation
AS4-0016-24	Slack Joint: 24" stroke
AS4-0016-36	Slack Joint: 36" stroke



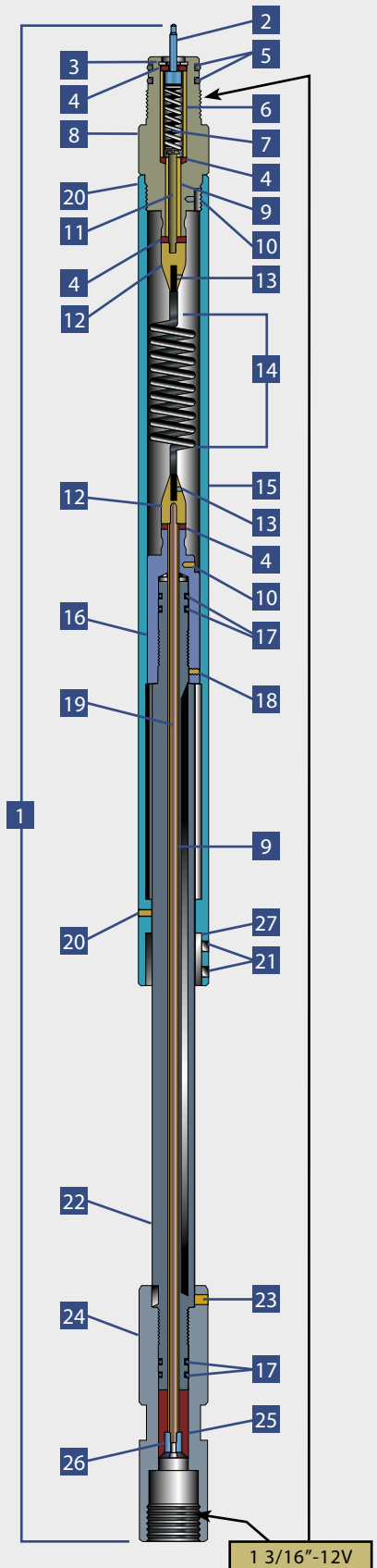
**APPLIED  
ELECTRONIC  
SYSTEMS**

a **Sondex** company  
www.aesla.com

# FREE POINT COMPONENTS

## 1 3/8" AES Slack Joint

Ref.	Part No.	Description
1	AS4-0016-16	1 3/8" AES Slack Joint Assy (16" Stroke)
2	1.-0033	Contact Plunger
3	HOO-0065	Retainer Ring
4	1.-0041	Insulating Washer
5	00V-0211-95	O-Rings: 211 V95
6	1.-0042	Contact Insulator
7	1.-0037	Contact Spring
8	1.375-0001	1 3/8" Slack Joint Top Sub
9	BOO-0032	Teflon Insulating Sleeve
10	HOO-0094	6-32 x 3/16" Pan Head Screw
11	HOO-0095	10-32 x 2" Pan Head Screw
12	1.375-0139	1 3/8" Slack Joint Cone Nut
13	HOO-0141	Socket Set Screw
14	WIR-1040-1.375-16	Electrical Spring (Coax)
15	1.375-0002-16	1 3/8" Slack Joint Housing
16	1.375-0005	1 3/8" Slack Joint Inner Mandrel End Connection
17	00V-0111-95	O-Rings: 111 V95
18	HOO-0091	1/4"-20 x 3/16" Socket Set Screw
19	1.375-0447-16	Contact Rod
20	HOO-0098	1/8" x 1" Roll Pin
21	HOO-0170	6-32 x 1/4" Button Head Cap Screw
22	1.375-0004	1 3/8" Slack Joint Inner Mandrel
23	HOO-0091	1/4"-20 x 3/16" Socket Set Screw
24	1.375-0006	1 3/8" Slack Joint Inner Mandrel Connection Sub
25	1.375-0029	Female Contact Insulator
26	1.375-0173	10-32 Spacer Contact
27	1.375-0185	Slack Joint Key



**APPLIED  
ELECTRONIC  
SYSTEMS**

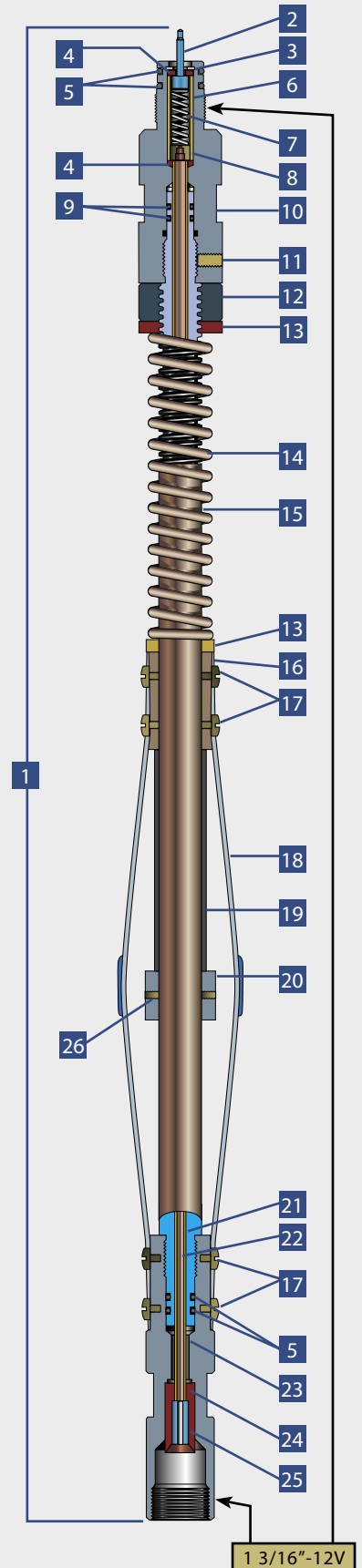
a **Sondex** company  
[www.aesla.com](http://www.aesla.com)

# FREE POINT COMPONENTS

## 1 3/8" Upper & Lower Bow Spring

Ref.	Part No.	Description
1	AS4-0017	1 3/8" Upper or Lower Spring Section Assy
2	1.-0033	Contact Plunger
3	HOO-0065	Retainer Ring
4	1.-0041	Insulating Washer
5	00V-0211-95	O-Rings: 211 V95
6	1.-0042	Contact Insulator
7	1.-0037	Contact Spring
8	1.375-0081	10-32 Contact Nut
9	00V-0111-95	O-Rings: 111 V95
10	1.375-0007	1 3/8" Upper Mandrel Connection Sub
11	HOO-0091	1/4"-20 x 3/16" Socket Set Screw
12	1.375-0009	1 3/8" Freepoint Adjustment Nut
13	1.375-0059	Washer
14	1.375-0055	1 3/8" Freepoint Compression Spring
15	1.375-0008	1 3/8" Freepoint Bow Spring Mandrel
16	1.375-0010	1 3/8" Freepoint Bow Spring Collar
17	HOO-0048	10-32 x 3/16" Cap Screw
18	OMF-0002	3/4" x 14" Bow Spring-Slick
	OMF-0002-1	3/4" x 14" Bow Spring-Carbide
19	1.365-0011	1 3/8" Freepoint Adjustment Sleeve
20	1.365-0034	1 3/8" Freepoint Adjustment Collar
21	BOO-0032	Teflon Insulating Sleeve
22	1.375-0441	10-32 Contact Rod
23	1.375-0012	1 3/8" Freepoint Bow Spring Anchor
24	1.375-0029	Contact Insulator
25	1.375-0173	10-32 Spacer Contact
26	HOO-0091	1/4"-20 x 3/16" Socket Set Screw
27	KIT-4-0017	Complete Kit Assy *

\*Does not include O-Rings.



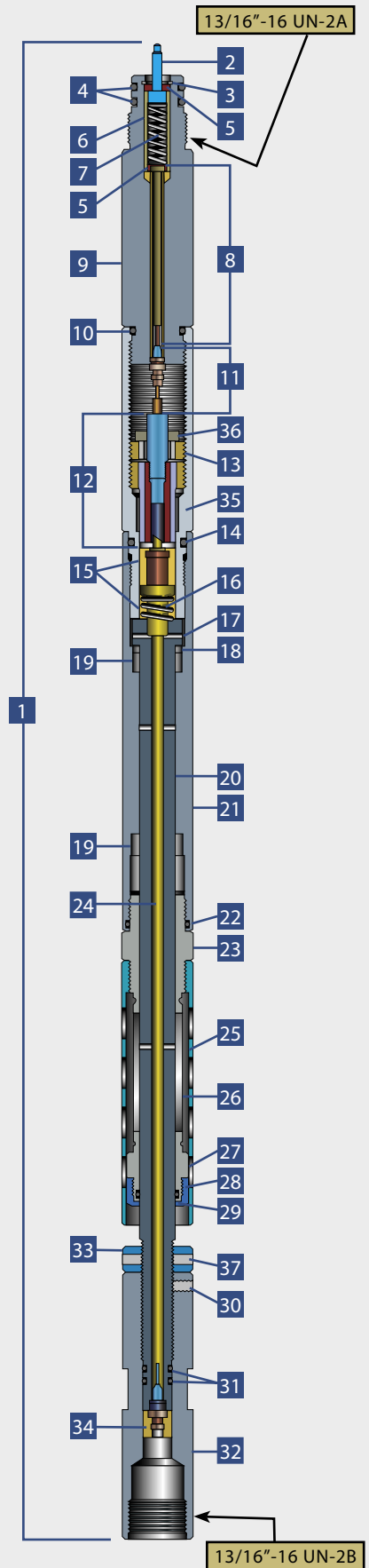
**APPLIED  
ELECTRONIC  
SYSTEMS**

a **Sondex** company  
www.aesla.com

# FREE POINT COMPONENTS

## 1 3/8" AES Sensor Section

Ref.	Part No.	Description
1	AS4-0018	1 3/8" AES Sensor Section Complete Assy
2	1.-0033	Contact Plunger
3	HOO-0065	Retainer Ring
4	00V-0211-95	O-Rings: 211 V95
5	1.-0041	Insulating Washer
6	1.-0042	Contact Insulator
7	1.-0037	Contact Spring
8	PSA-032	Pressure Connection Assy
9	1.375-0013	1 3/8" Sensor Connection Sub
10	00V-0119-95	O-Rings: 119 V95
11	PSA-084	Pressure Connector
12	PSA-052	Sensor Coil Assy
13	1.375-0018	Sensor Coil Jam Nut
14	00V-0120-95	O-Rings: 120 V95
15	3.-0013	Measuring Sensor
	3.-0001	Slip Clutch Assy
16	1.-0038	Sensor Spring
17	HOO-0149	6-32 x 1/4" Socket Set Screw
18	1.375-0161	Thrust Washer
19	HOO-0073	Bearings
20	1.375-0015	1 3/8" Sensor Mandrel
21	1.375-0159	Sensor Housing Lower Sub
22	00V-0021-95	O-Rings: 021 V95
23	1.375-0019	Boot Sub
24	PSA-060	Sensor Contact Rod Assy
25	1.375-0020	Boot Protector
26	BOO-0052	1 3/8" Sensor Boot
27	1.375-0022	Boot End Cap
28	1.375-0023	Boot End Cap Cover
29	00V-0016-75	O-Rings: 016 V75
30	HOO-0109	1/4" -20 x 5/16" Set Screw
31	000-0110-95	O-Rings: 110 V95
32	1.375-0024	1 3/8" Sensor Mandrel Connection Sub
33	1.375-0021-1	Jam Nut
34	1.375-0031	Pressure Connector Insulator
35	1.375-0158-B	Sensor Housing Upper Sub
36	HOO-0150	6-32 x 7/8" Socket Head Cap Screw
37	HOO-0148	10-32 Socket Head Capscrew



**APPLIED  
ELECTRONIC  
SYSTEMS**

a **Sondex** company

[www.aesla.com](http://www.aesla.com)

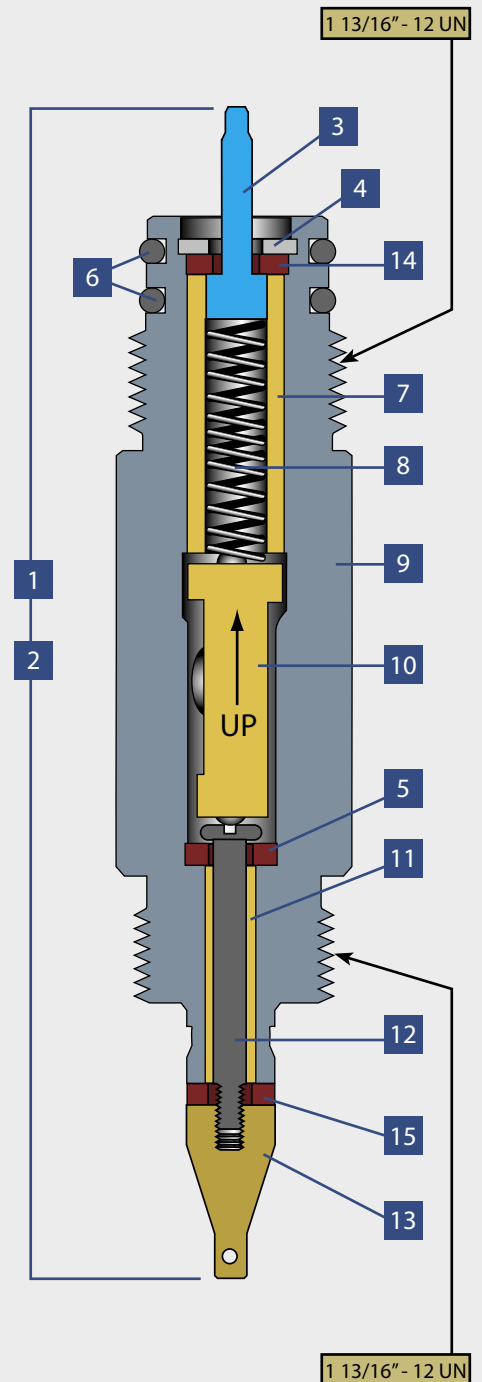
FP0-22

# FREE POINT COMPONENTS

## 1 3/8" Combination Diode Sub

Ref.	Part No.	Description
1	AS4-0035	1 3/8" Combination Diode Complete Assy
2	KIT-4-0035	Complete Kit Assy *
3	1.-0033	Contact Plunger
4	HOO-0181	Retainer Ring
5	1.-0041	Insulating Washer
6	00V-0211-95	O-Rings: 211 V95
7	1.-0235	Contact Insulator
8	1.-0037	Contact Spring
9	1.375-0026	Contact Sub Body
10	PSA-029	Diode Cartridge Assy
11	BOO-0032	Insulating Sleeve
12	HOO-0095	10-32 Contact Rod
13	1.375-0030	10-32 Cone Receptacle
14	1.-0234	Insulating Washer
15	0.500-0005	High Temp Insulating Washer

\* Does not include O-Rings



**APPLIED  
ELECTRONIC  
SYSTEMS**

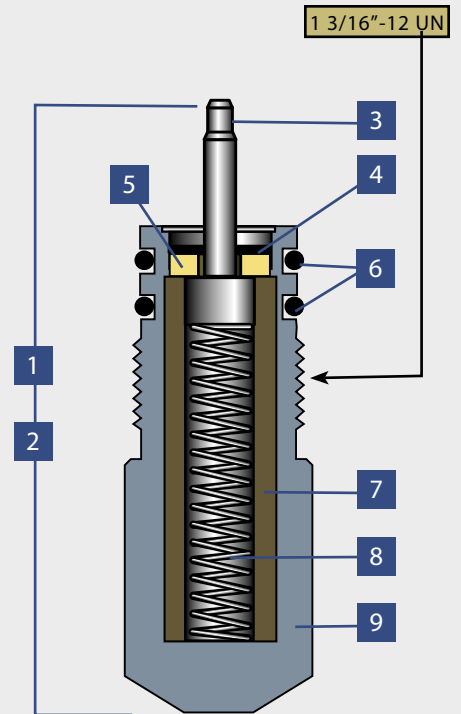
a **Sondex** company  
[www.aesla.com](http://www.aesla.com)

# FREE POINT COMPONENTS

## 1 3/8" Grounded Bull Plug

Ref.	Part No.	Description
1	AS4-0020	1 3/8" Bull Plug Complete Assembly
2	KIT-4-0020	Complete Kit Assembly *
3	1.-0033	Contact Plunger
4	HOO-0065	Retainer Ring
5	1.-0041	Insulating Washer
6	00V-0211-95	O-Rings: 211 V95
7	1.-0042	Contact Insulator
8	1.-0037	Contact Spring
9	1.375-0061	Contact Sub Body

\* Does not include O-Rings



**APPLIED  
ELECTRONIC  
SYSTEMS**

a **Sondex** company  
[www.aesla.com](http://www.aesla.com)

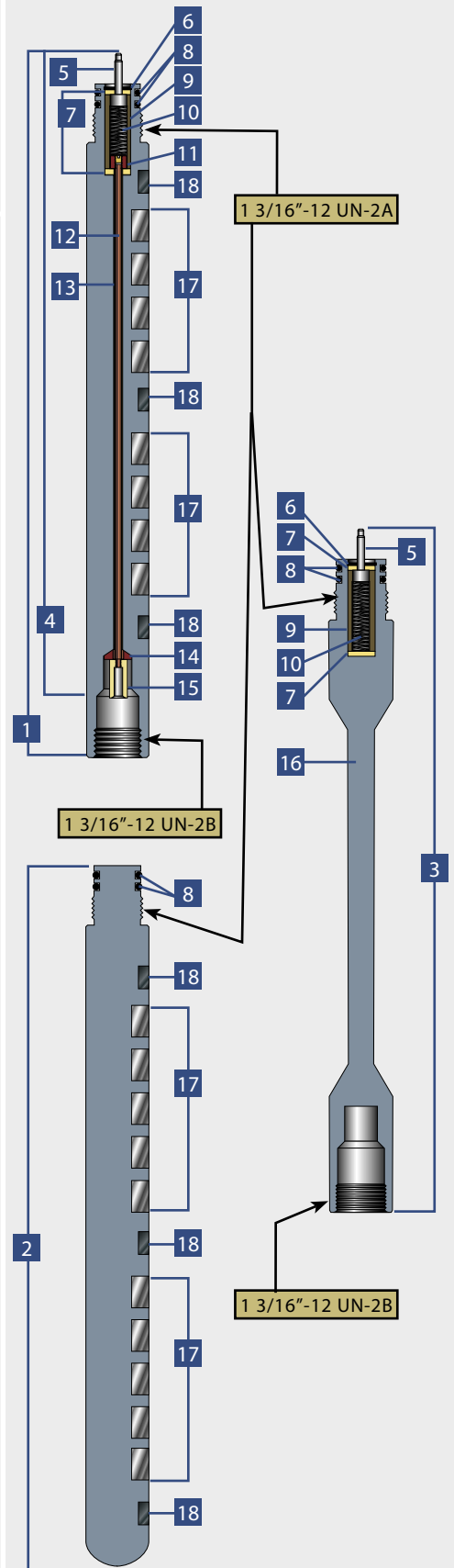
FP0-24

# FREE POINT COMPONENTS

## 1 3/8" Magnet Tools

Ref.	Part No.	Description
1	AS4-0085	1 3/8" AES Freepoint Upper Magnet Section
2	AS4-0086	1 3/8" AES Freepoint Lower Magnet Section
3	AS4-0087	1 3/8" AES Freepoint Magnet Tool Extension
4	KIT-4-0085	Complete Kit Assy *
5	1.-0033	Contact Plunger
6	HOO-0065	Retainer Ring
7	1.-0041	Insulating Washer
8	00V-0211	O-Rings: 211 V95
9	1.-0042	Contact Insulator
10	1.-0037	Contact Spring
11	1.375-0081	10-32 Contact Receptacle
12	1.375-0479	10-32 Contact Rod
13	BOO-0032	Teflon Insulating Sleeve
14	1.-0086	Beveled Insulating Washer
15	1.-0087A	10-32 Contact Receptacle
16	1.375-0385	Magnet Extension Tool Body
17	HOO-0279	Magnets
18	HOO-0317	Carbide Pads

\*Does not include O-Rings.



**APPLIED  
ELECTRONIC  
SYSTEMS**

a **Sondex** company  
www.aesla.com

FP0-25

# FREE POINT COMPONENTS

## 1 5/8" Free Point Assembly

Ref.	Part No.	Description
12	AS6-00FP-16	1 5/8" Free Point Tool-16" Stroke
1	AS6-0094-16	1 5/8" AES Slack Joint-16" Stroke Complete Assy
2	AS6-0093	1 5/8" AES Upper & Lower Bow Spring Complete Assy
3	AS6-0092	1 5/8" AES Sensor Section Complete Assy
4	AS6-0100	1 5/8" Grounded Bull Plug
5	AS6-0101	1 5/8" Combination Diode Sub
6	AS6-0098	1 5/8" Shot Rod Hanger
7	1.3750131	Shot Rod 3/8 X 5Ft 1 & 1 3/8
8	AS6-0099	1 5/8" Bull Plug Shot Rod

### OPTIONS:

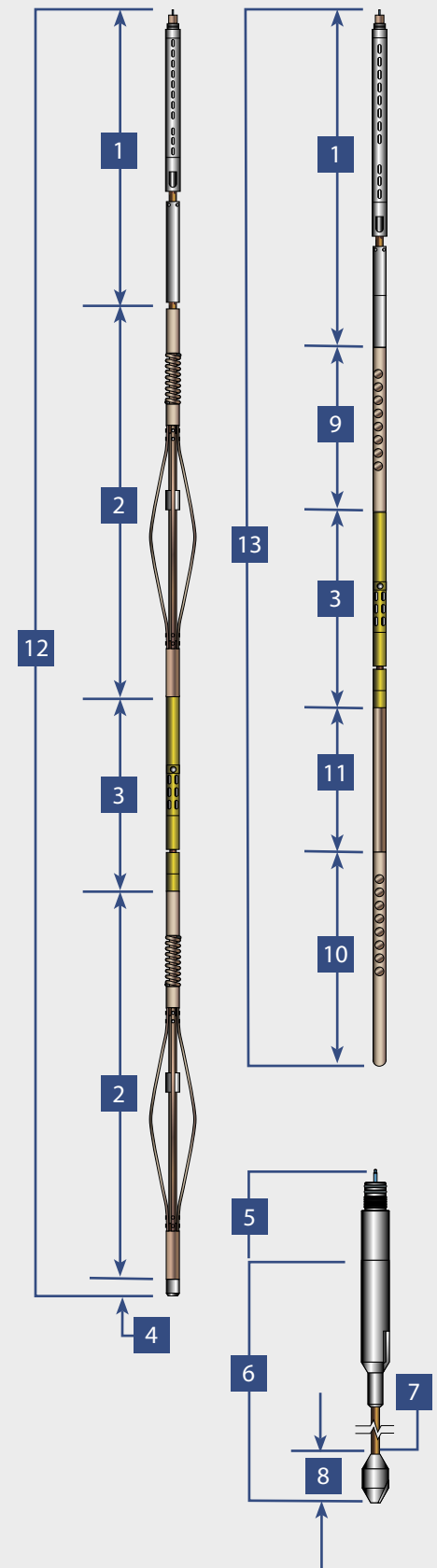
AS6-0092PC	Sensor Section - Piston Compensation
AS6-0093C	Bow Springs: Casing
AS6-0094-24	Slack Joint: 24"
AS6-0094-36	Slack Joint: 36"

## 1 5/8" Free Point Magnet Tool Assembly

Ref.	Part No.	Description
13	AS6-00FPM-16	1 5/8" Free Point Tool-16" Stroke with Magnets
1	AS6-0094-16	1 5/8" AES Slack Joint-16" Stroke Complete Assy
3	AS6-0092	1 5/8" AES Sensor Section Complete Assy
5	AS6-0098	1 5/8" Shot Rod Hanger
7	1.3750131	Shot Rod 3/8 X 5Ft 1 & 1 3/8
8	AS6-0099	1 5/8" Bull Plug Shot Rod
9	AS6-0096	1 5/8" Upper Magnet Section Assy
10	AS6-0097	1 5/8" Lower Magnet Section Assy
11	AS6-0098	1 5/8" Magnet Extension Assy

### OPTIONS:

AS6-0092PC	Sensor Section - Piston Compensation
AS6-0094-24	Slack Joint: 24"
AS6-0094-36	Slack Joint: 36"



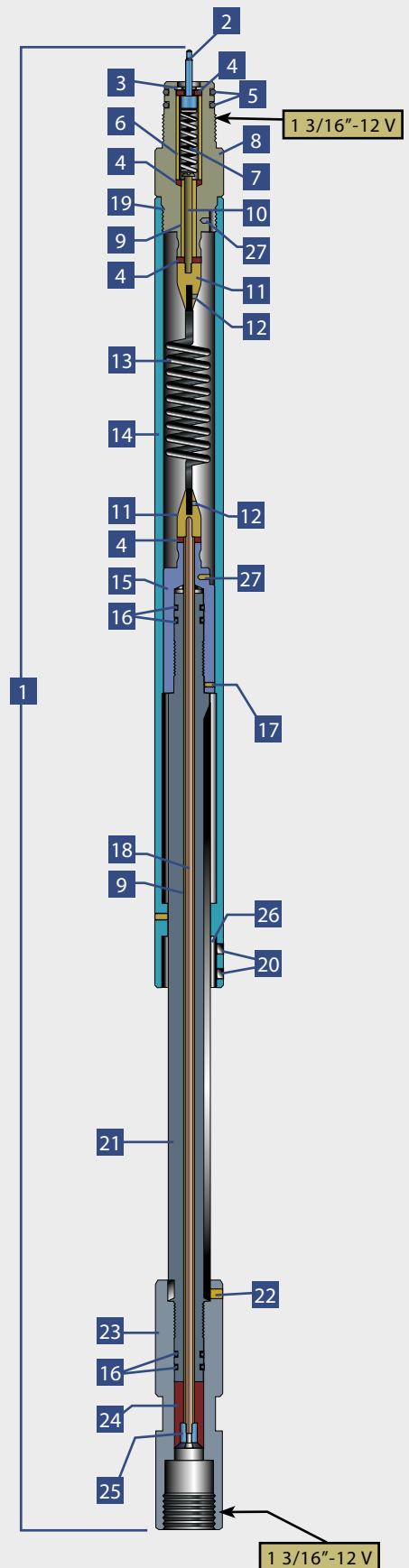
**APPLIED  
ELECTRONIC  
SYSTEMS**

a **Sondex** company  
www.aesla.com

# FREE POINT COMPONENTS

## 1 5/8" AES Slack Joint

Ref.	Part No.	Description
1	AS6-0094-16	1 5/8" AES Slack Joint Assy (16" Stroke)
2	1.0033	Contact Plunger
3	HOO-0065	Retainer Ring
4	1.0041	Insulating Washer
5	00V-0211-95	O-Rings: 211 V95
6	1.0042	Contact Insulator
7	1.0037	Contact Spring
8	1.625-0092	1 5/8" Slack Joint Top Sub
9	BOO-0032	Teflon Sleeve
10	HOO-0095	10-32 x 2" Pan Head Screw
11	1.375-0139	1 3/8" Slack Joint Cone Nut
12	HOO-0141	Socket Set Screw
13	WIR-1040-1.375-16	Electrical Spring (Coax)
14	1.625-0094-16	1 5/8" Slack Joint Housing
15	1.625-0095	1 5/8" Slack Joint Inner Mandrel End Connection
16	00V-0111-95	O-Rings: 111 V95
17	HOO-0165	1/4-20 x 1/4" Socket Set Screw
18	1.375-0447-16	Contact Rod .187 x 25.500" Long
19	HOO-0098	1/8" x 1" Roll Pin
20	HOO-0170	6-32 x 1/4" Button Head Cap Screw
21	1.375-0004-16	Slack Joint Inner Mandrel
22	HOO-0091	1/4 - 20 x 3/16" Socket Set Screw
23	1.6250091	1 5/8" Slack Joint Inner Mandrel Connector Sub
24	1.375-0029	Female Contact Insulator
25	1.375-0173	10-32 Spacer Contact
26	1.375-0185	Slack Joint Key
27	H00-0094	6-32x3/16" Pan Head Screw



**APPLIED  
ELECTRONIC  
SYSTEMS**

a **Sondex** company  
[www.aesla.com](http://www.aesla.com)

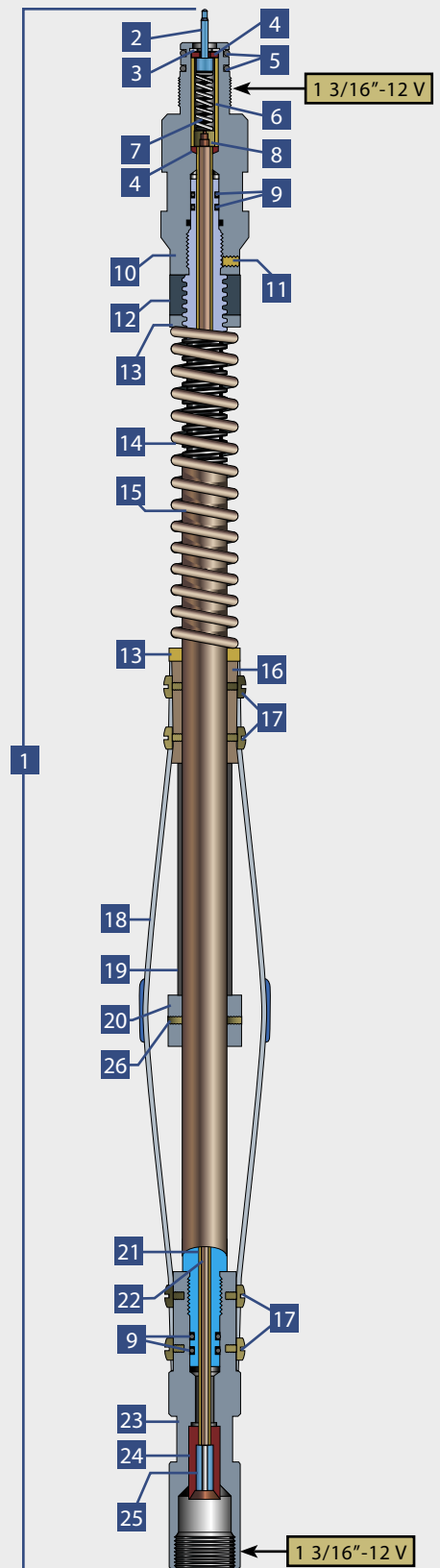
FP0-27

# FREE POINT COMPONENTS

## 1 5/8" Upper & Lower Bow Spring

Ref.	Part No.	Description
1	AS6-0093	1 5/8" Upper & Lower Bow Spring Assy
2	1.-0033	Contact Plunger
3	HOO-0065	Retainer Ring
4	1.-0041	Insulating Washer
5	00V-0211-95	O-Rings: 211 V95
6	1.-0042	Contact Insulator
7	1.-0037	Contact Spring
8	1.375-0081	10-32 Contact Nut
9	00V-0111-95	O-Rings: 111 V95
10	1.625-0088	1 5/8" Upper Mandrel Connector Sub
11	HOO-0091	1/4" - 20 x 3/26" Socket Set Screw
12	1.375-0009	Adjustment Nut
13	1.375-0059	Washer
14	1.375-0055-4	Compression Spring
15	1.375-0008	1 5/8" Bow Spring Mandrel
16	1.625-0090	1 5/8" Bow Spring Collar
17	HOO-0048	10-32 x 3/16" Button Head Cap
18	OMF-0002	Bow Spring-Slick
	OMF-0002-1	Bow Spring-Carbide
19	1.375-0011	Adjustment Sleeve
20	1.375-0475	Adjustment Collar
21	BOO-0032	Insulating Sleeve
22	1.375-0441	10-32 Contact Rod 26.000" Long
23	1.625-0089	1 5/8" Bow Spring Anchor
24	1.375-0029	Contact Insulator
25	1.375-0037	10-32 Spacer Contact
26	HOO-0091	1/4" - 20 x 3/16" Socket Set Screw
27	KIT-6-0093	Complete Kit Assy *

\*Does not include O-Rings.



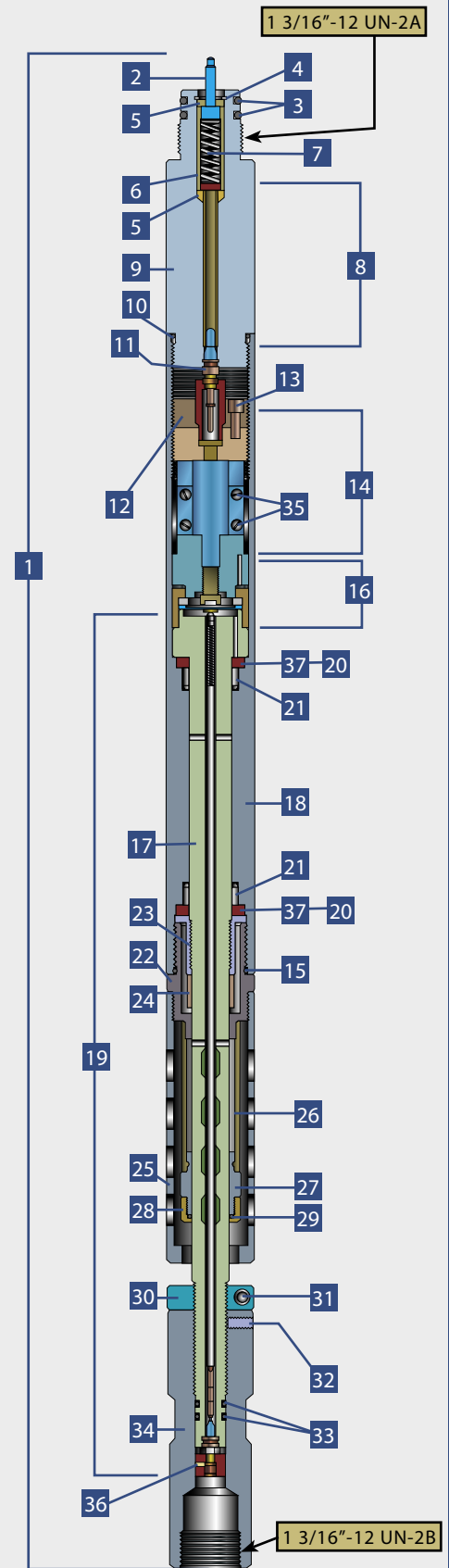
**APPLIED  
ELECTRONIC  
SYSTEMS**

a **Sondex** company  
[www.aesla.com](http://www.aesla.com)

# FREE POINT COMPONENTS

## 1 5/8" Free Point Sensor Section

Ref.	Part No.	Description
1	AS6-0092	1 5/8" AES Sensor Section
2	1.0033	Plunger
3	OOV-0211-95	O-Rings: 211 V95
4	HOO-0065	Retaining Ring
5	1.0041	Insulating Washer
6	1.0042	Contact Insulator
7	1.0037	Contact Spring
8	PSA-032	10-32 Contact Assy
9	1.625-0065	Sensor Connect Sub
10	00V-0217-95	O-Rings: 217 V95
11	PSA-108	Kemlon Connector Assy
12	1.625-0067	Jam Nut For Coil
13	HOO-0335SS	10-32 x .500 Socket Head Cap Screw
14	PSA-094	1 5/8" Sensor Coil Assy
15	00V-027-95	O-Rings: 027 V95
16	PSA-092	1 5/8" Clutch Assy
17	1.625-0071	Sensor Mandrel
18	1.625-0070	Sensor Housing
19	PSA-086	Pre Contact Assy
20	HOO-0320	Thrust Washers (4)
21	HOO-0073	Bearings (2)
22	1.625-0079	Boot Sub
23	1.625-0077	Adjustment Nut
24	1.625-0078	Lock for Adjustment Nut
25	1.625-0075	Boot Protector
26	BOO-0052	Rubber Boot
27	1.375-0022	Boot End Cap
28	1.375-0023	Boot End Cover
29	OOV-0016-75	O-Rings: 016 V75
30	1.625-0076	Locking Nut
31	HOO-0496	10-32 x 3/4" Socket Set Screw
32	HOO-0109	Set Screws
33	OOV-0110-95	O-Rings: 110 V95
34	1.625-0080	Sensor Mandrel Sub
35	HOO-0475	4-40 Socket Head Cap Screw
36	1.375-0031	Insulator
37	HOO-0321	Thrust Bearings (2)



**APPLIED  
ELECTRONIC  
SYSTEMS**

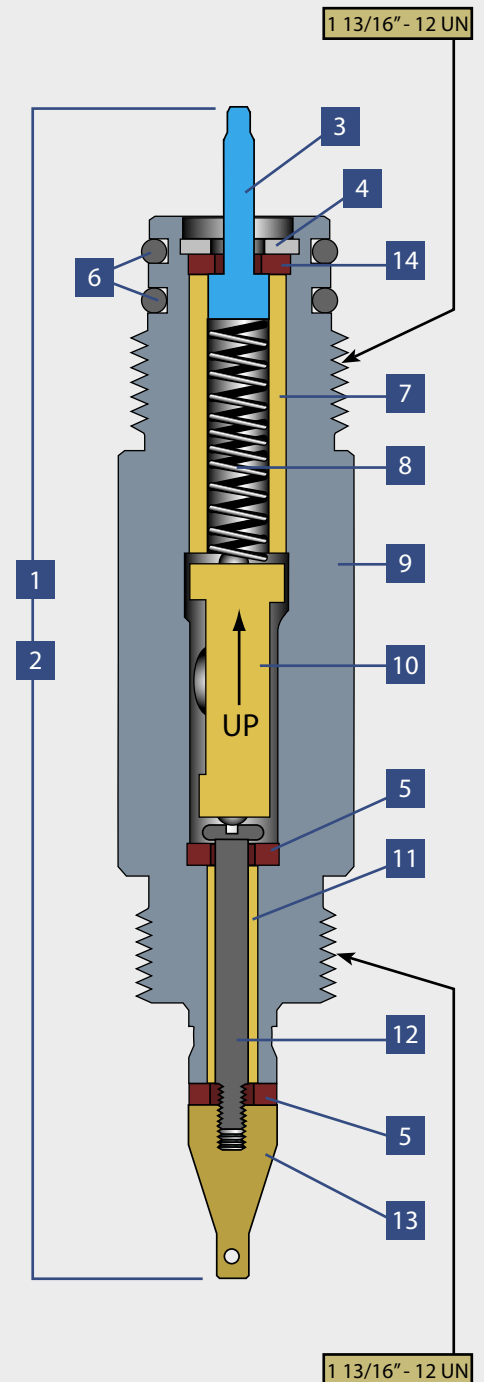
a **Sondex** company  
[www.aesla.com](http://www.aesla.com)

# FREE POINT COMPONENTS

## 1 5/8" Combination Diode Sub

Ref.	Part No.	Description
1	AS6-0101	1 5/8" Combination Diode Complete Assy
2	KIT-6-0101	Complete Kit Assy *
3	1.-0033	Contact Plunger
4	HOO-0181	Retainer Ring
5	1.-0041	Insulating Washer
6	00V-0211-95	O-Rings: 211 V95
7	1.-0235	Contact Insulator
8	1.-0037	Contact Spring
9	1.625-0104	Contact Sub Body
10	PSA-029	Diode Cartridge Assy
11	BOO-0032	Insulating Sleeve
12	HOO-0096	10-32 Contact Rod
13	1.375-0030	10-32 Cone Receptacle
14	1.-0234	Insulating Washer

\* Does not include O-Rings



**APPLIED  
ELECTRONIC  
SYSTEMS**

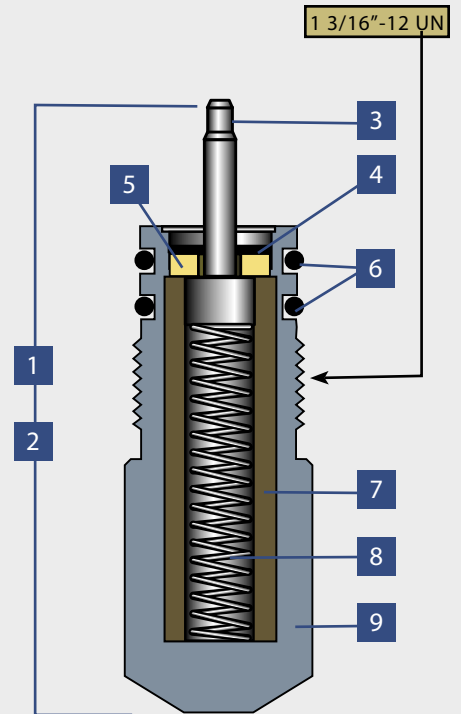
a **Sondex** company  
[www.aesla.com](http://www.aesla.com)

# FREE POINT COMPONENTS

## 1 5/8" Grounded Bull Plug

Ref.	Part No.	Description
1	AS6-0100	1 5/8" Bull Plug Complete Assembly
2	KIT-6-0100	Complete Kit Assembly *
3	1.-0033	Contact Plunger
4	HOO-0065	Retainer Ring
5	1.-0041	Insulating Washer
6	00V-0211-95	O-Rings: 211 V95
7	1.-0042	Contact Insulator
8	1.-0037	Contact Spring
9	1.625-0100	Contact Sub Body

\* Does not include O-Rings



**APPLIED  
ELECTRONIC  
SYSTEMS**

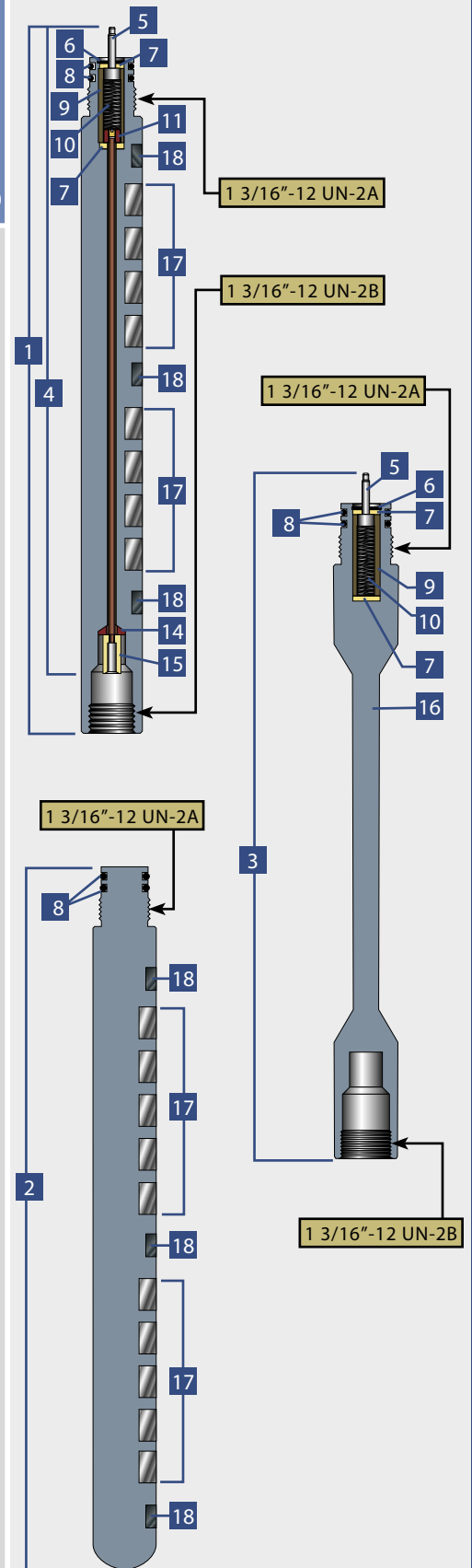
a **Sondex** company  
[www.aesla.com](http://www.aesla.com)

# FREE POINT COMPONENTS

## 1 5/8" Magnet Tools

Ref.	Part No.	Description
1	AS6-0096	1 5/8" AES Freepoint Upper Magnet Section
2	AS6-0097	1 5/8" AES Freepoint Lower Magnet Section
3	AS6-0095	1 5/8" AES Freepoint Magnet Tool Extension
4	KIT-4-0085	Complete Kit Assy *
5	1.-0033	Contact Plunger
6	HOO-0065	Retainer Ring
7	1.-0041	Insulating Washer
8	000-0211	O-Rings: 211
9	1.-0042	Contact Insulator
10	1.-0037	Contact Springs
11	1.375-0081	10-32 Contact Receptacle
12	1.375-0479	10-32 Contact Rod
13	BOO-0032	Teflon Insulating Sleeve
14	1.-0086	Beveled Insulating Washer
15	1.-0087A	10-32 Contact Receptacle
16	1.625-0096	Magnet Extension Tool Body
17	HOO-0279	Magnets
18	HOO-0317	Carbide Pads

\*Does not include O-Rings.



**APPLIED  
ELECTRONIC  
SYSTEMS**

a **Sondex** company  
www.aesla.com

FP0-32

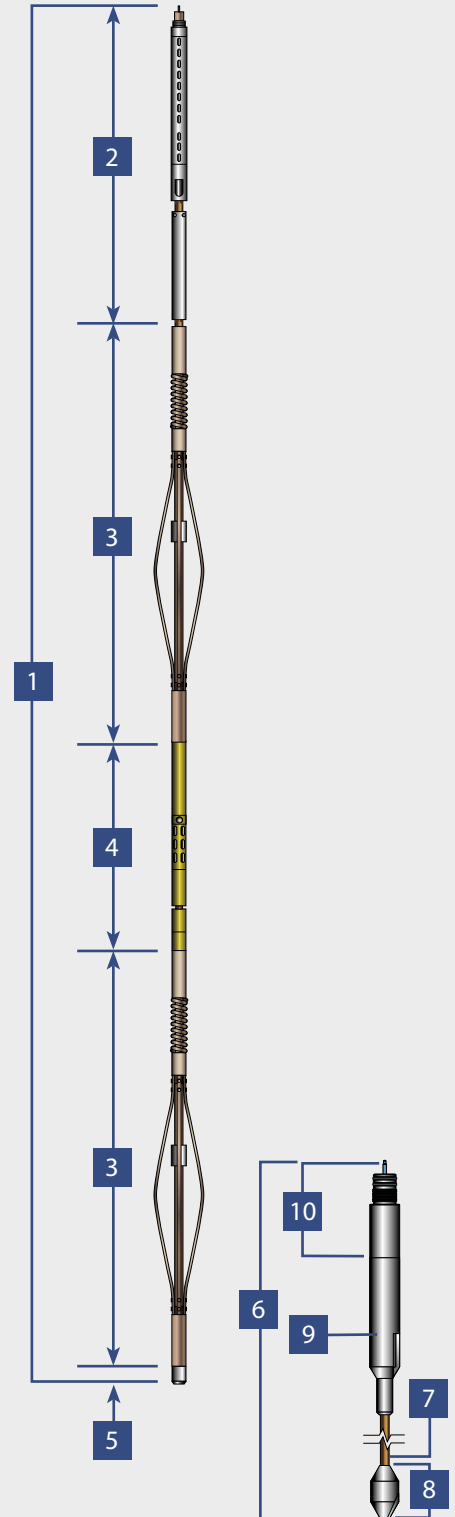
# FREE POINT COMPONENTS

## 1 5/8" High Pressure Free Point Assembly

Ref.	Part No.	Description
1	AS6-00FPHP-36	1 5/8" HighPressureFree Point Tool-16" Stroke
2	AS6-0094-36HP	1 5/8" AES Slack Joint Section Complete Assy
3	AS6-0093HP	1 5/8" AES Upper & Lower Bow Spring Complete Assy
4	AS6-0092PCHP	1 5/8" AES Sensor Section Complete Assy
5	AS6-0100HP	1 5/8" Grounded Bull Plug
6	AS6-0104HP	1 5/8" HP Shot Rod Assy
7	1.3750131	Shot Rod
8	AS6-0099	Bull Plug
9	AS6-0098	Shot Rod Hanger
10	AS6-0101HP	1 5/8" Comb Diode Sub

### OPTIONS:

AS6-0093C	Bow Springs:	Casing
-----------	--------------	--------



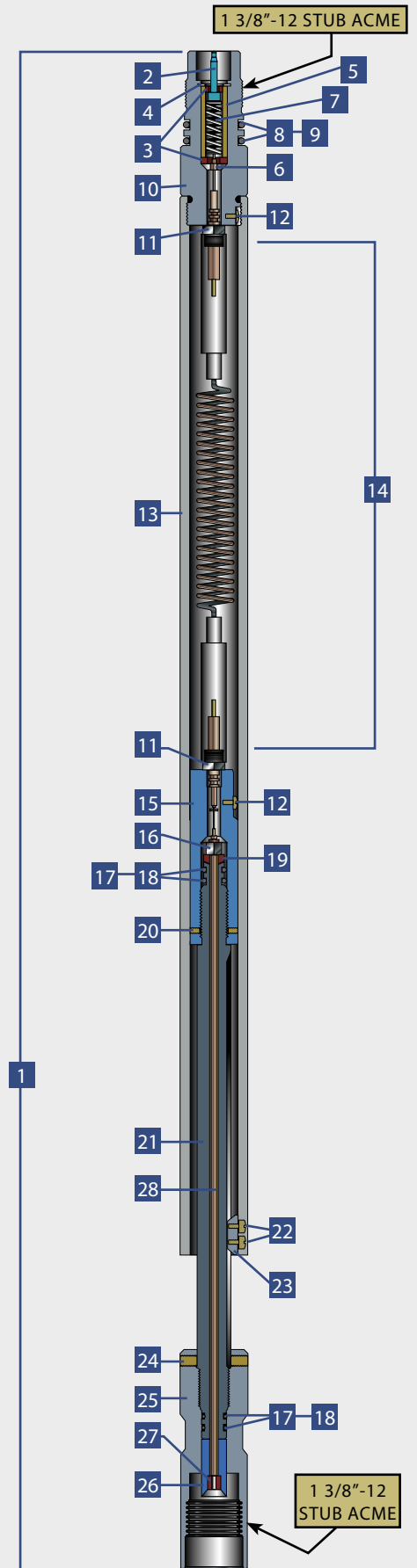
**APPLIED  
ELECTRONIC  
SYSTEMS**

a **Sondex** company  
[www.aesla.com](http://www.aesla.com)

# FREE POINT COMPONENTS

## 1 5/8" AES High Pressure Slack Joint

Ref.	Part No.	Description
1	AS6-0094-36HP	1 5/8" Slackjoint (36" stroke) HP
2	1.0033	Plunger
3	1.0041-2	Insulator
4	HOO-0254	Retainer Ring
5	1.0042-3	Contact Insulator
6	PSA-019	Contact Assy
7	1.0037	Contact Spring
8	00V-0217-95	O-Rings: 217 V95
9	OOB-0217	Backup Rings 0217
10	1.625-0092HP	Slack Joint Top Sub
11	CON-0105	HP Kemlon
12	HOO-0094	6-32 x 3/16" Pan Head Screw
13	1.625-0094-36HP	Slack Joint Housing 36" HP
14	WIR-1040-1.625HP	Electrical Spring Assy
15	1.625-0095HP	Mandrel End Connector
16	1.625-0114HP	Contact Assy
17	00V-0111-95	O-Rings: 111 V95
18	OOB-011	Peek Backup Rings
19	0.500-0004	Beveled Insulator
20	HOO-0165SS	1/4" -20 x 1/4" Socket Set Screw SS
21	1.375-0004HP	Slack Joint Mandrel
22	HOO-0170	6-32 x 1/4" Button Head Cap Screw
23	1.375-0185	Slack Joint Key
24	HOO-0091	1/4" - 20 x 3/16" Socket Set Screw
25	1.625-0091HP	Bottom Sub
26	1.375-0029	Insulator
27	1.375-0173	10-32 Contact
28	CR10X45125	10-32 x 45.125 Contact Rod



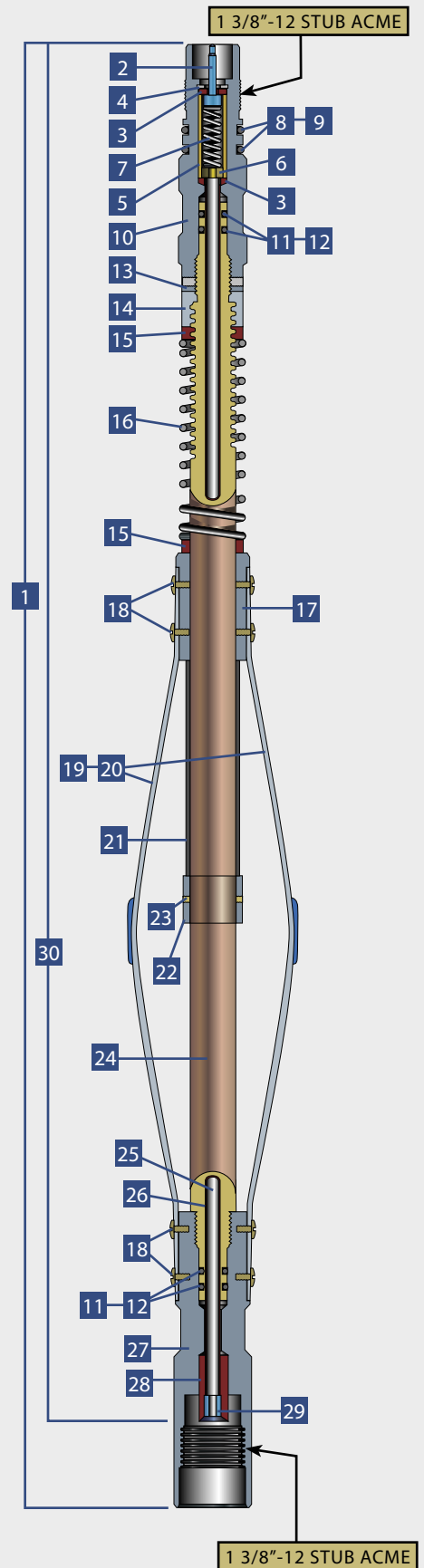
**APPLIED  
ELECTRONIC  
SYSTEMS**

a **Sondex** company  
[www.aesla.com](http://www.aesla.com)

# FREE POINT COMPONENTS

## 1 5/8" High Pressure Bow Spring

Ref.	Part No.	Description
1	AS6-0093HP	1 5/8" Bow Spring HP
2	1.0033	Plunger
3	1.0041	Insulator
4	HOO-0254	Retainer Ring
5	1.0042-3	Contact Insulator
6	1.375-0081	Contact
7	1.0037	Contact Spring
8	00V-0217-95	O-Rings: 217 V95
9	00B0217	217 Backup Rings
10	1.625-0088HP	Upper Mandrel Connector Sub
11	00V-0111-95	O-Rings: 111 V95
12	O0B-0111	111 Backup Rings
13	HOO-0091	1/4" -20 x 3/16" Set Screw
14	1.375-0009	Adjustment Nut
15	1.375-0059	Washer
16	1.375-0055-4	Compression Spring
17	1.625-0090	Bow Spring Collar
18	HOO-0048	10-32 x 3/16" Button Head Screw
19	OMF-0002	Bow Spring-Slick
20	OMF-0002-1	Bow Spring-Carbide
21	1.375-0011	Adjustment Sleeve
22	1.375-0475	Adjustment Collar
23	HOO-0091	1/4" - 20 x 3/16" Socket Set Screw
24	1.375-0008HP	Bow Spring Mandrel
25	1.375-0441	10-32 Contact Rod 26.000" Long
26	BOO-0032	Insulating Sleeve
27	1.625-0089HP	Bow Spring Anchor
28	1.375-0029	Contact Insulator
29	1.375-0173	10-32 Contact
30	KIT-6-0093HP	Contact Kit



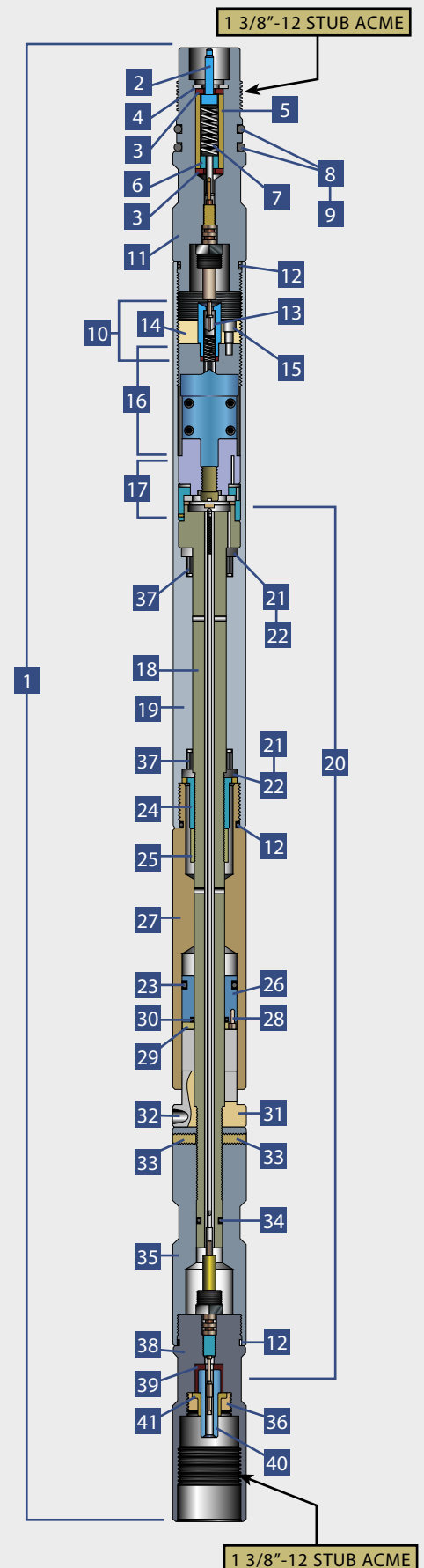
**APPLIED  
ELECTRONIC  
SYSTEMS**

a **Sondex** company  
www.aesla.com

# FREE POINT COMPONENTS

## 1 5/8" High Pressure Free Point Sensor

Ref.	Part No.	Description
1	AS6-0092PCHP	1 5/8" Sensor Section (Piston) HP
2	1.0033	Plunger
3	1.0041-2	Insulator
4	HOO-0254	Retainer Ring
5	1.0042-3	Contact Insulator
6	PSA-019	Contact Assy
7	1.0037	Contact Spring
8	00V-0217-95	O-Rings: 217 V95
9	OOB-0217	Backup Rings 0217
10	3.0023	Insulator for Top Coil
11	1.625-0065HP	Sensor Connect Sub
12	00V-0027-95	O-Rings: 027 V95
13	CON-0105	Kemlon Connector Assy w/CON-0010
14	1.625-0067	Jam Nut For Coil
15	HOO-0335	10-32 x 1/2" Socket Head Cap Screw
16	PSA-094	1 5/8" Sensor Coil Assy
17	PSA-0092	1 5/8" Clutch Assy
18	1.625-0071HP	Sensor Mandrel
19	1.625-0070	Sensor Housing
20	PSA-0103	Pre Contact Assy
21	HOO-0320	Thrust Bearing
22	HOO-0321	Thrust Washer
23	00V-0212-75	O-Rings: 212 V75
24	1.625-0077	Adjustment Nut
25	1.625-0078	Lock for Adjustment Nut
26	1.375-0183	Piston
27	1.625-0105	Piston Housing
28	HOO-0022	4-40 x 1/4" Cap Screws
29	1.375-0181	Piston Cap
30	00V-0016-75	O-Rings: 016 V75
31	1.625-0106	Piston Jam Nut
32	HOO-0496	10-32 x 3/4" Socket Cap Screw
33	HOO-0109	Set Screws
34	00V-0110-95	O-Rings: 110 V95
35	1.625-0080HP	Sensor Mandrel Sub
36	3029-1	Treaded Retainer Ring
37	HOO-0073	Roller Bearings
38	1.625-0107HP	Saver Sub
39	3005	Cup Insulator
40	3006	Contact
41	3007	Cover Insulator



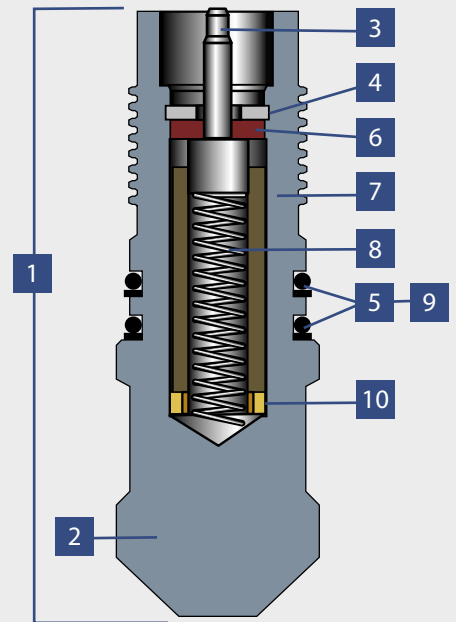
**APPLIED  
ELECTRONIC  
SYSTEMS**

a **Sondex** company  
www.aesla.com

# FREE POINT COMPONENTS

## 1 5/8" HP Grounded Bull Plug

Ref.	Part No.	Description
1	AS6-0100HP	1 5/8" Bull Plug Complete Assy
2	1.625-0109HP	Bull Plug Body
3	1.-0033	Contact Plunger
4	HOO-0254	Retainer Ring
5	000-0217	O-Rings: 217
6	1.0041-2	Insulating Washer
7	1.0042-3	Contact Insulator
8	1.0037	Contact Spring
9	OOB-0217	Backup Ring 0217
10	1.6870191	Plunger Insulator



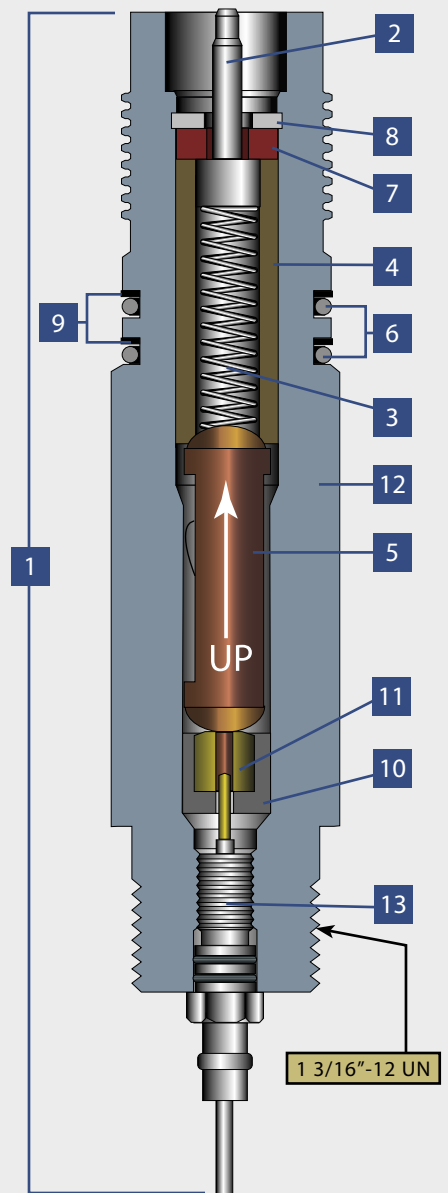
**APPLIED  
ELECTRONIC  
SYSTEMS**

a **Sondex** company  
[www.aesla.com](http://www.aesla.com)

# FREE POINT COMPONENTS

## 1 5/8" HP Comb Diode Sub

Ref.	Part No.	Description
1	AS6-0101HP	1 5/8" High Pressure Comb Diode Sub
2	1.0033	Contact Plunger
3	1.0037	Contact Spring
4	1.0042-3	Plunger Insulator HP, PN 500°
5	PSA-029-47	Diode Car Assy 47 OHM 1-way
6	00V-217-95	O-Rings: 217 V95
7	1.0041-2	Insulator Cover Washer, 500°
8	HOO-0254	Retainer Ring
9	OOB-0217	Backup Ring 0217
10	5246	Cup Insulator
11	PSA-024	Contact Sub Assy MC Universal Pin
12	1.625-0117HP	1 5/8" HP Diode Sub Body
13	CON-0107	Kemlon Connector



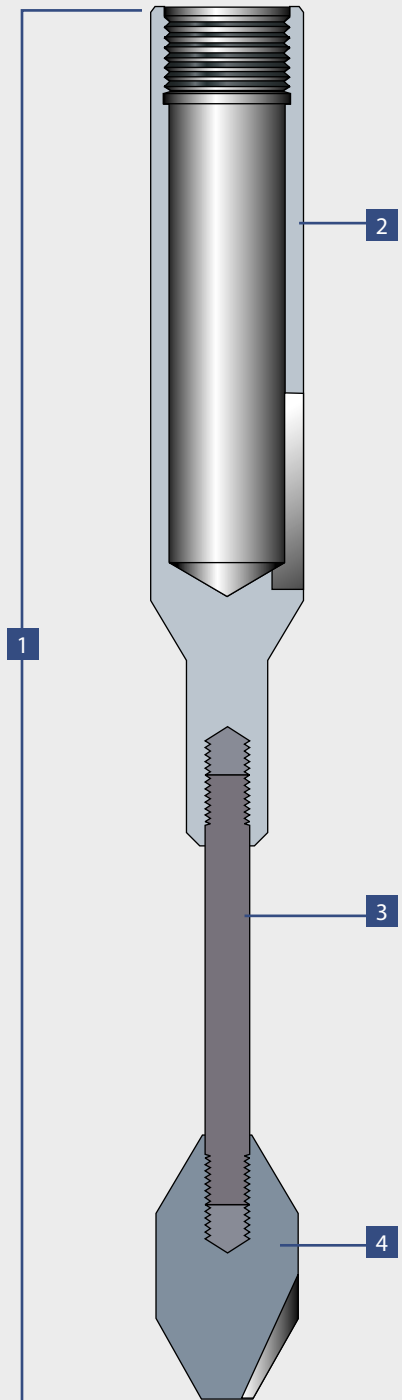
**APPLIED  
ELECTRONIC  
SYSTEMS**

a **Sondex** company  
[www.aesla.com](http://www.aesla.com)

# FREE POINT COMPONENTS

## 5/8", 11/16", 3/4", 1", 1 3/8" & 1 5/8" Shot Rod Hanger Assembly

Ref.	Part No.	Description
1	ASO-0018	5/8" Shot Rod Hanger Assy (1/4" Rod)
	AS1-0016	11/16" Shot Rod Hanger Assy (1/4" Rod)
	AS2-0015	3/4" Shot Rod Hanger Assy (1/4" Rod)
	AS3-0037	1" Shot Rod Hanger Assy (3/8" Rod)
	AS4-0096	1 3/8" Shot Rod Hanger Assy (3/8" Rod)
	AS6-0104	1 5/8" Shot Rod Hanger Assy (3/8" Rod)
2	AS0-0002	5/8" Shot Rod Hanger Sub (1/2"-20 V Threads)
	AS1-0015	11/16" Shot Rod Hanger Sub (1/2"-20 V Threads)
	AS2-0003	3/4" Shot Rod Hanger Sub (11/16"-28 Stub Acme Threads)
	AS3-0002	1" Shot Rod Hanger Sub (13/16"-16 UN Threads)
	AS4-0002	1 3/8" Shot Rod Hanger Sub (1 3/16"-12 UN Threads)
	AS6-0098	1 5/8" Shot Rod Hanger Sub (1 3/16"-12 UN Threads)
3	0.625-0033	1/4" Shot Rod (1/4"-20 UNC Threads)
	1.375-0131	3/8" Shot Rod (3/8"-16 UNC Threads)
4	0.625-0033	5/8" & 3/4" Shot Rod Bull Plug
	0.687-0085	11/16" Shot Rod Bull Plug
	1.-0125	1" Shot Rod Bull Plug
	1.375-0117	1 3/8" Shot Rod Bull Plug
	1.625-0101	1 5/8" Shot Rod Bull Plug



**APPLIED  
ELECTRONIC  
SYSTEMS**

a **Sondex** company  
[www.aesla.com](http://www.aesla.com)

# PANEL SPECIFICATIONS



## PANELS



---

## PANELS

---

AES panels are manufactured to your specifications and requirements.

**APPLIED  
ELECTRONIC  
SYSTEMS**

a **Sondex** company  
[www.aesla.com](http://www.aesla.com)

# PANEL PRODUCT RANGES

Part No.	Description	Page
----------	-------------	------

## PANELS

PSS00	Portable Shooting Supply Panel	PAN0-3
PSC00	Portable Collar Locator & Shooting Supply Panel	PAN0-4
PFPCC00	Portable Free Point, CCL Panel	PAN0-5
PFPCC00-1 5/8	Portable Free Point, CCL Panel	PAN0-5
PFP00	Portable Free Point Panel	PAN0-6
PFP00-1 5/8	Portable Free Point Panel	PAN0-6
PCP00	Portable Combination Panel	
	Free Point, Collar Locator & Shooting Supply	PAN0-7
PCP00-1 5/8	Portable Combination Panel	
	Free Point, Collar Locator & Shooting Supply	PAN0-7
PFPCC01	Universal Portable Free Point CCL	PAN0-8
FPCCLRM00	Standard Free Point CCL Rackmount	PAN0-9
FPCCLRM00-1 5/8	Free Point CCL Rackmount 1 5/8"	PAN0-9
FPCCLRM01	Universal Freepoint CCL Rackmount	PAN0-9
PAS00	Portable Speaker System	PAN0-10
GRD00	Grounding Reel	PAN0-11



**APPLIED  
ELECTRONIC  
SYSTEMS**

a **Sondex** company  
www.aesla.com

# PANEL COMPONENTS

Portable Shooting Supply Panel - PSS00



**APPLIED  
ELECTRONIC  
SYSTEMS**

a **Sondex** company  
[www.aesla.com](http://www.aesla.com)

PAN0-3

# PANEL COMPONENTS

## Portable Collar Locator & Shooting Supply Panel - PSC00



**APPLIED  
ELECTRONIC  
SYSTEMS**

a **Sondex** company  
[www.aesla.com](http://www.aesla.com)

PAN0-4

# PANEL COMPONENTS

Portable Free Point,  
CCL Panel - PFPCCL00,  
PFPCCL00-1 5/8



**APPLIED  
ELECTRONIC  
SYSTEMS**

a **Sondex** company  
[www.aesla.com](http://www.aesla.com)

PAN0-5

# PANEL COMPONENTS

Portable Free Point Panel - PFP00,  
PFP00-1 5/8



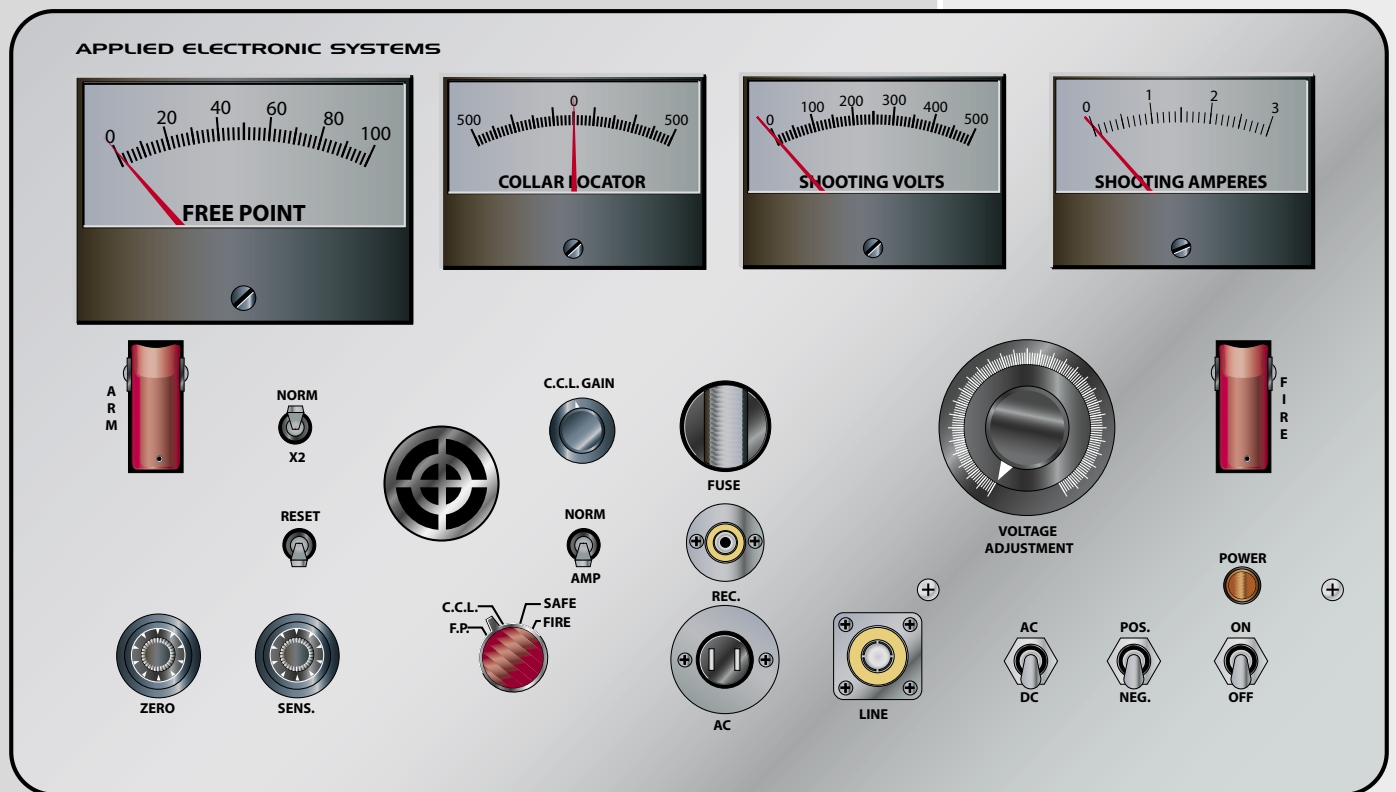
**APPLIED  
ELECTRONIC  
SYSTEMS**

a **Sondex** company  
[www.aesla.com](http://www.aesla.com)

PAN0-6

# PANEL COMPONENTS

Portable Combination Panel -  
PCP00, PCP00-1 5/8  
Free Point, Collar Locator & Shooting Supply



**APPLIED  
ELECTRONIC  
SYSTEMS**

a **Sondex** company  
[www.aesla.com](http://www.aesla.com)

PAN0-7

# PANEL COMPONENTS

Universal Portable Free Point CCL - PFPCCL01



**APPLIED  
ELECTRONIC  
SYSTEMS**

a **Sondex** company  
[www.aesla.com](http://www.aesla.com)

PAN0-8

# PANEL COMPONENTS

Standard Free Point CCL Rackmount -  
FPCCLRM00, FPCCLRM00-1 5/8



**APPLIED  
ELECTRONIC  
SYSTEMS**

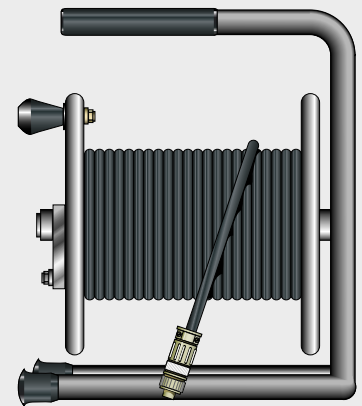
a **Sondex** company  
[www.aesla.com](http://www.aesla.com)

PAN0-9

# PANEL COMPONENTS

## Portable Speaker System - PAS00

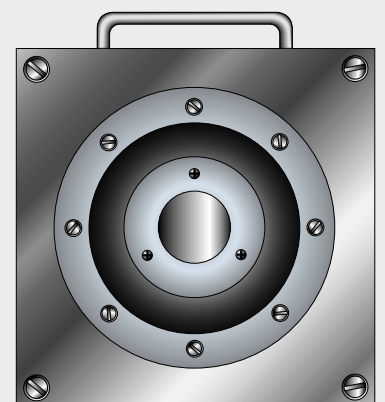
Ref.	Part No.	Description
1	PAS-02	Portable Reel & Wire
2	PAS-03	Portable Base Speaker
3	PAS-01	Heavy Duty Rig Speaker



1



2



3

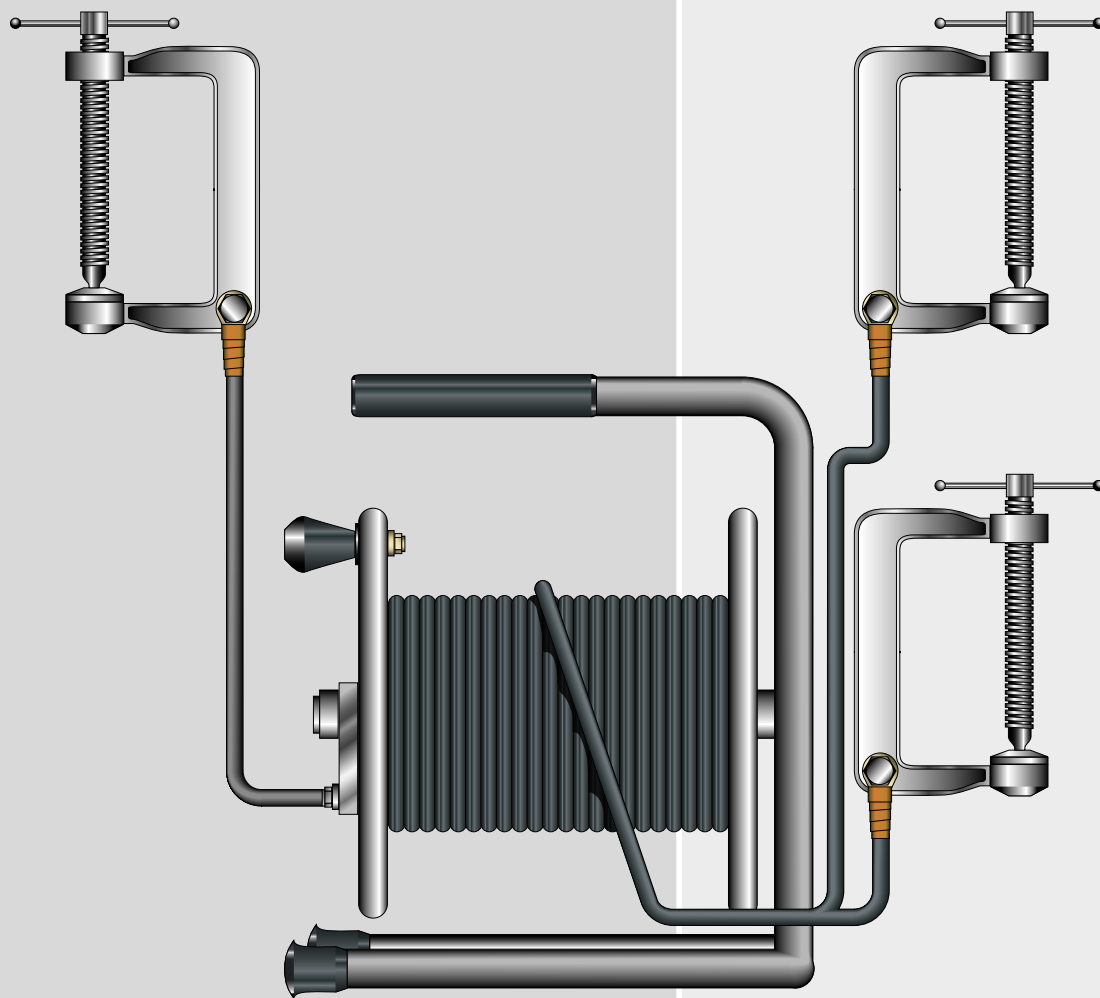
**APPLIED  
ELECTRONIC  
SYSTEMS**

a **Sondex** company  
[www.aesla.com](http://www.aesla.com)

PAN0-10

# PANEL COMPONENTS

## Grounding Reel - GRD00



**APPLIED  
ELECTRONIC  
SYSTEMS**

a **Sondex** company  
[www.aesla.com](http://www.aesla.com)

PAN0-11

# CASING COLLAR LOCATOR SPECIFICATIONS

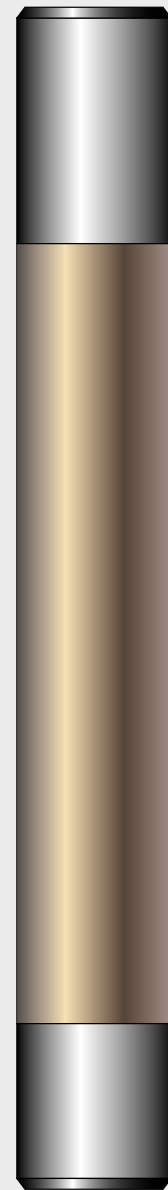


## CASING COLLAR LOCATORS

### CASING COLLAR LOCATORS

AES CCLs are used for depth control with pipe recovery, perforating and logging equipment.

Parameters	Imperial	Metric
OD Size:	5/8" – 3-1/4"	15.9 mm - 82.6 mm
Weight:	—	—
Temperature:	500°F	260°C
Pressure:	21,000psi	144 MPa
Type:	Grounded and Non-Grounded	



**APPLIED  
ELECTRONIC  
SYSTEMS**

a **Sondex** company  
[www.aesla.com](http://www.aesla.com)

CCL0-1

# CASING COLLAR LOCATOR PRODUCT RANGES

Part No. Description (G) Grounded, (NG) Non-Grounded Page

## 5/8" - 1 1/16"

AS0-0005	5/8" Casing Collar Locator Assy (NG)	CCL0-3
AS1-0001	1 1/16" Casing Collar Locator Assy (NG)	CCL0-3

NOTE: Thread size on this size range is 1/2" - 20 UNF

## 3/4"

AS2-0007	3/4" Casing Collar Locator Assy (G)	CCL0-4
----------	-------------------------------------	--------

NOTE: Thread size on this size range is .555-28 STUB ACME-3G

## 1"

AS3-0008	1" Casing Collar Locator Assy (NG)	CCL0-5
AS3-0014	1" Casing Collar Locator Assy (G)	CCL0-6

NOTE: Thread size on this size range is 13/16" - 16 UN

## 1 3/8", 1 7/16", 1 5/8"

AS4-0091	1 3/8" Casing Collar Locator Assy (G)	CCL0-7
AS5-0008	1 7/16" Casing Collar Locator Assy (G)	CCL0-7
AS6-0102	1 5/8" Casing Collar Locator Assy (G)	CCL0-8
AS4-0092	1 3/8" Casing Collar Locator Assy (NG)	CCL0-8
AS5-0006	1 7/16" Casing Collar Locator Assy (NG)	CCL0-8
AS6-0103	1 5/8" Casing Collar Locator Assy (NG)	CCL0-7

NOTE: Thread size on this size range is 1 3/16" - 12 UN

## 1 11/16"

AS6-0005	1 11/16" Casing Collar Locator Assy (G)	CCL0-9
----------	---	--------

NOTE: Thread size on this size range is 1 3/16" - 12 UN

## 2 1/8"

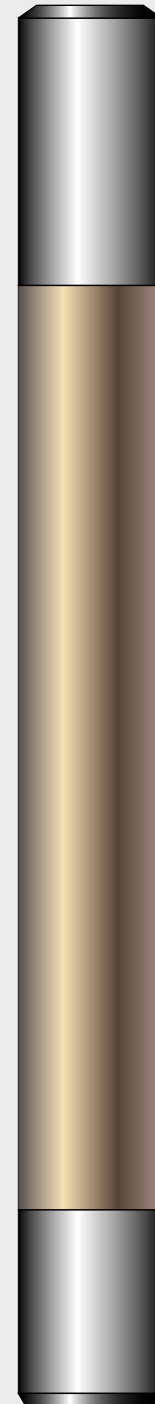
AS9-0048	2 1/8" Casing Collar Locator Assy (G)	CCL0-10
----------	---------------------------------------	---------

NOTE: Thread size on this size range is 1 3/16" - 12 UN

## 3 1/8" - 3 1/4"

AS9-0021	3 1/4" Casing Collar Locator Assy (G)	CCL0-11
AS9-0021-3 1/8	3 1/8" Casing Collar Locator Assy (G)	CCL0-11

NOTE: Thread size on this size range is 1 5/8" - 6 ACME



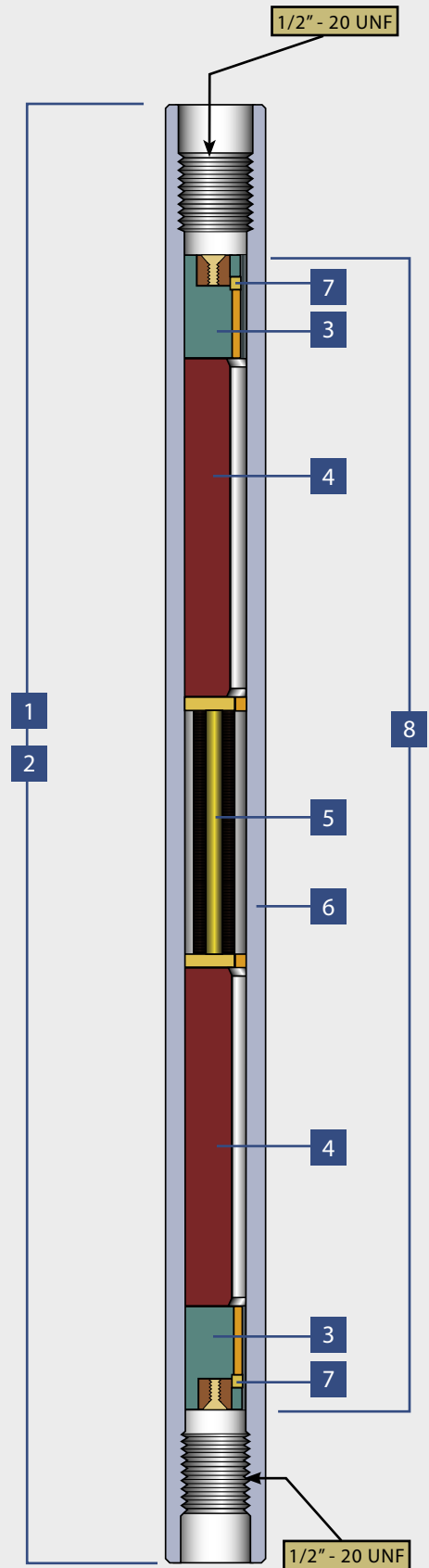
**APPLIED  
ELECTRONIC  
SYSTEMS**

a **Sondex** company  
[www.aesla.com](http://www.aesla.com)

# CASING COLLAR LOCATOR COMPONENTS

## 5/8"-11/16" Casing Collar Locator

Ref.	Part No.	Description	(G) Grounded, (NG) Non-Grounded
1	AS0-0005	5/8" Casing Collar Locator Complete Assy (NG)	
2	AS1-0001	11/16" Casing Collar Locator Complete Assy (NG)	
3	0.625-0014	CCL Insulator	
4	0.625-0004	CCL Magnet	
5	PSA-036	5/8" Coil Assy (NG)	
6	0.625-0001	5/8" CCL Housing	
	0.687-0043	11/16" CCL Housing	
7	0.625-0015	CCL End Contact	
8	AS0-0005-1	5/8" Coil and Magnet Assy (NG)	



**APPLIED  
ELECTRONIC  
SYSTEMS**

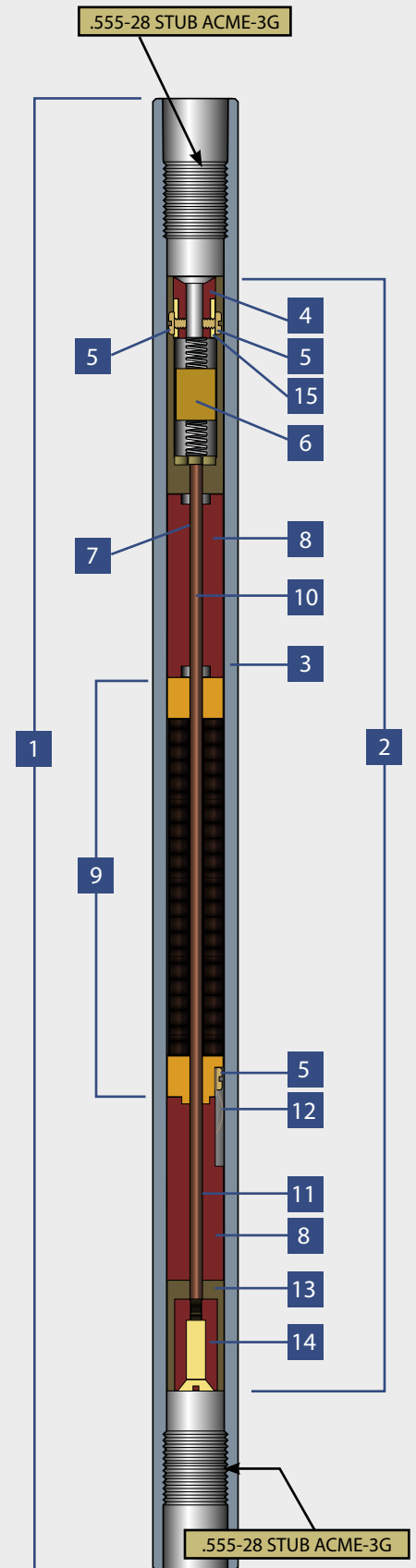
a **Sondex** company  
[www.aesla.com](http://www.aesla.com)

CCL0-3

# CASING COLLAR LOCATOR COMPONENTS

## 3/4" Casing Collar Locator

Ref.	Part No.	Description	(G) Grounded, (NG) Non-Grounded
1	AS2-0007	3/4" Collar Locator Assy (G)	
2	AS2-0007-1	3/4" CCL Coil/Magnet Assy (G)	
3	0.750-0001	3/4" CCL Housing	
4	0.750-0097	3/4" CCL Top Contact	
5	HOO-0197	4-40 Flat Head Screw	
6	SEM-0069-1	Double Diode	
7	0.750-0035	Top CCL Insulator	
8	0.750-0004	CCL Magnet	
9	PSA-039	CCL Coil Assy (G)	
10	0.750-0098	Contact Thru Rod	
11	BOO-0101	Insulating Sleeve	
12	HOO-0126	Ground Spring	
13	0.750-0094	Bottom CCL Insulator	
14	0.750-0096	Bottom CCL Contact Receptacle	
15	HOO-0038	Solder Lug	



**APPLIED  
ELECTRONIC  
SYSTEMS**

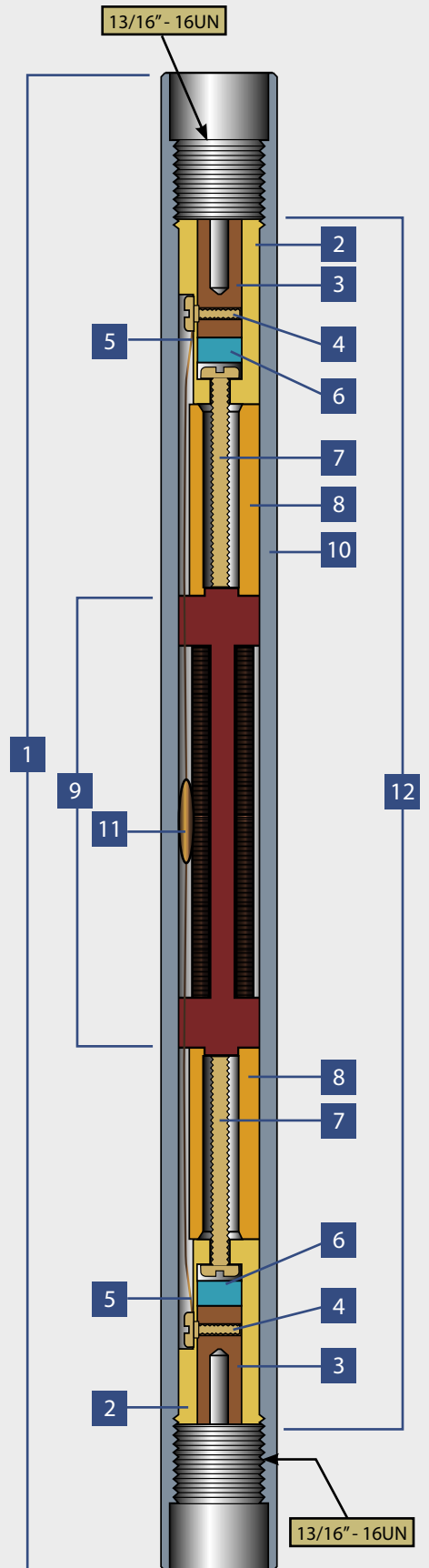
a **Sondex** company  
www.aesla.com

CCL0-4

# CASING COLLAR LOCATOR COMPONENTS

## 1" Casing Collar Locator (NG)

Ref.	Part No.	Description	(G) Grounded, (NG) Non-Grounded
1	AS3-0008	1" Casing Collar Locator Complete Assy (NG)	
2	1.-0055	End Insulator	
3	1.-0054	End Contact Receptacle	
4	HOO-0094	6-32 x 3/16" Pan Hd. Screw	
5	HOO-0038	Solder Lug	
6	1.-0058	CCL Contact Insulator	
7	HOO-0095	10-32 x 2" Pan Hd. Screw	
8	1.-0056	1" CCL Magnet	
9	PSA-040	Coil Assy (NG)	
10	1.-0059	1" CCL Housing	
11	SEM-0014	Diode	
12	AS3-0008-1	1" CCL Coil and Magnet Assy (NG)	



**APPLIED  
ELECTRONIC  
SYSTEMS**

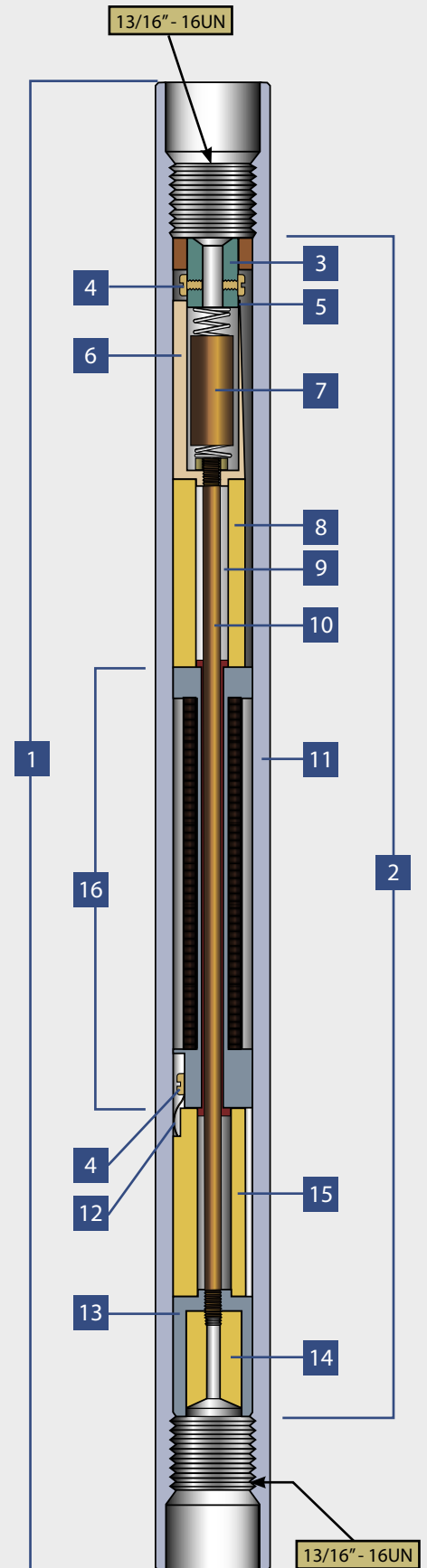
a **Sondex** company  
[www.aesla.com](http://www.aesla.com)

CCL0-5

# CASING COLLAR LOCATOR COMPONENTS

## 1" Casing Collar Locator (G)

Ref.	Part No.	Description	(G) Grounded, (NG) Non-Grounded
1	AS3-0014	1" Casing Collar Locator Complete Assy (G)	
2	AS3-0014-1	Coil/Magnet Assy (G)	
3	1.-0172	Upper Contact Receptacle	
4	HOO-0004	4-40 x 1/8" Pan Hd. Screw	
5	HOO-0038	Solder Lug	
6	1.-0074	End Insulator	
7	SEM-0069	Double Diode	
8	1.-0056	1" CCL Magnet	
9	BOO-0096	Insulating Sleeve	
10	1.-0104	6-32 Contact Rod	
11	1.-0059	1" CCL Housing	
12	HOO-0126	Ground Spring	
13	1.-0073	1" CCL Insulator	
14	1.-0231	CCL Lower Contact	
15	1.-0056G	CCL Ground Magnet	
16	PSA-041	CCL Coil Assy (G)	



**APPLIED  
ELECTRONIC  
SYSTEMS**

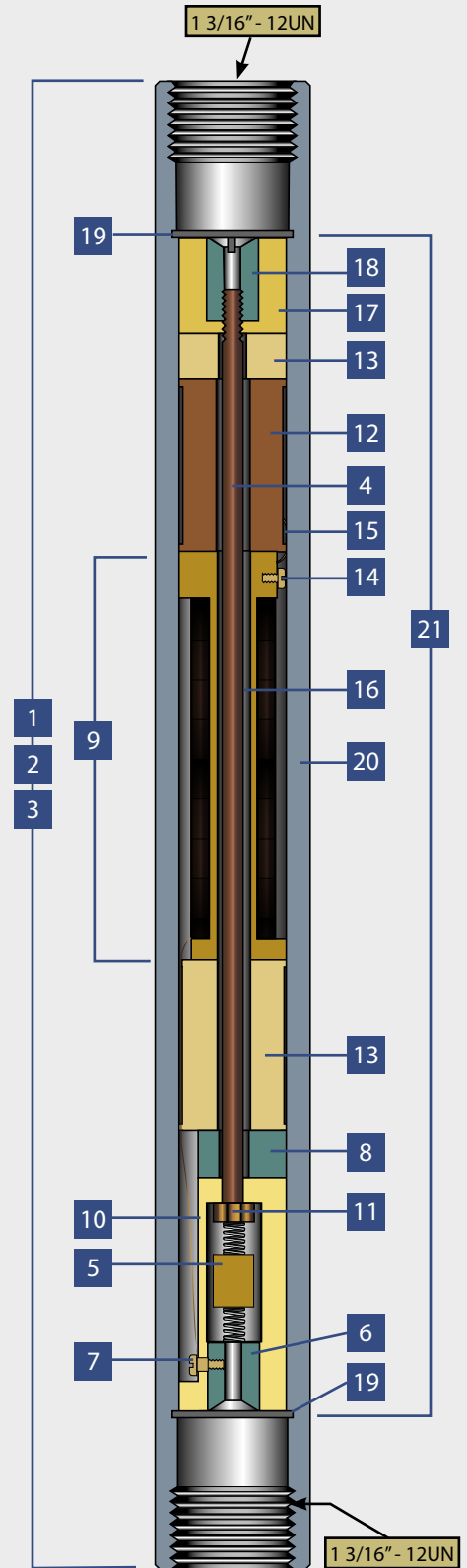
a **Sondex** company  
[www.aesla.com](http://www.aesla.com)

CCL0-6

# CASING COLLAR LOCATOR COMPONENTS

## 1 3/8", 1 7/16", 1 5/8" Casing Collar Locator (G)

Ref.	Part No.	Description	(G) Grounded, (NG) Non-Grounded
1	AS4-0091	1 3/8" Casing Collar Locator Complete Assy (G)	
2	AS5-0008	1 7/16" Casing Collar Locator Complete Assy (G)	
3	AS6-0103	1 5/8" Casing Collar Locator Complete Assy (G)	
4	1.-437-0057	10-32 Contact Rod	
5	SEM-0069	Double Diode	
6	1.-375-0041	CCL Upper Contact	
7	H00-0027	6-32 x 1/4" Pan Hd. Screw	
8	1.437-0031	Magnet Retainer	
9	PSA-043	Grounded Coil	
10	1.437-0028	Retainer Insulator	
11	H00-0058	Hex Nut	
12	1.375-0073	CCL Magnet	
13	1.437-0030	Magnet Retainer	
14	H00-0004	4-40 x 3/16" Pan Hd. Screw	
15	H00-0126	Ground Spring	
16	B00-0032	Insulating Sleeve	
17	1.437-0029	Lower CCL Insulator	
18	1.437-0026	Lower CCL Contact	
19	H00-0250	Retainer Ring	
20	1.375-0481	1 3/8" CCL Housing	
	1.437-0010	1 7/16" CCL Housing	
	3099	1 5/8" CCL Housing	
21	AS5-0008-1	CCL Coil & Magnet Assy (G)	



**APPLIED  
ELECTRONIC  
SYSTEMS**

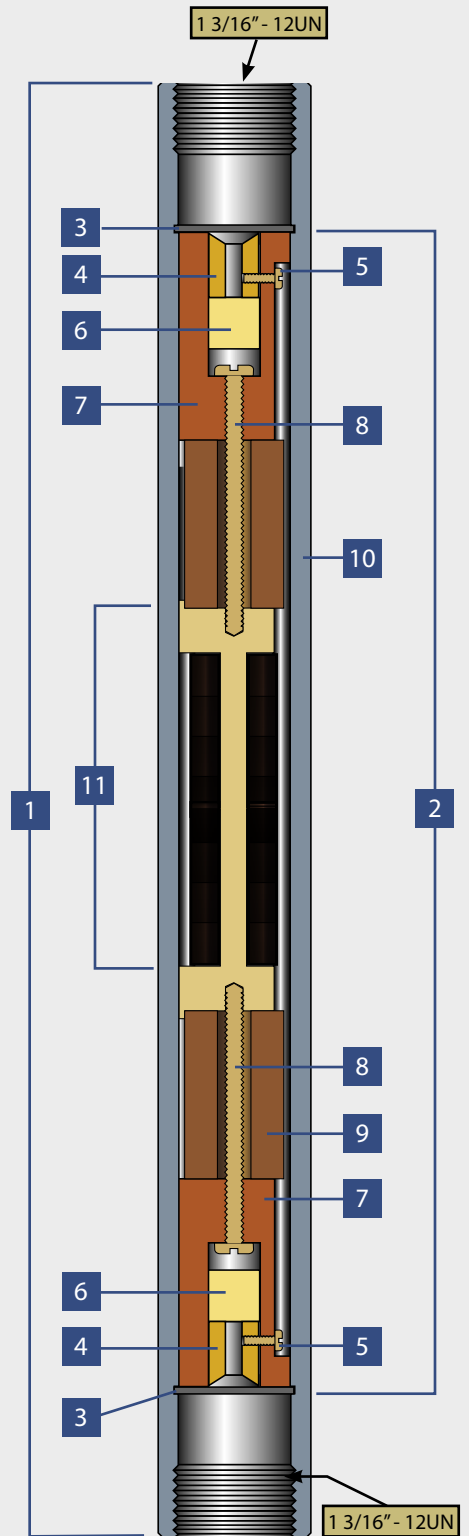
a **Sondex** company  
[www.aesla.com](http://www.aesla.com)

CCL0-7

# CASING COLLAR LOCATOR COMPONENTS

## 1 3/8", 1 7/16", 1 5/8" Casing Collar Locator (NG)

Ref.	Part No.	Description	(G) Grounded, (NG) Non-Grounded
1	AS4-0092	1 3/8" Collar Locator Complete Assy (NG)	
	AS5-0006	1 7/16" Collar Locator Complete Assy (NG)	
	AS6-0102	1 5/8" Collar Locator Complete Assy (NG)	
2	AS5-0006-1	CCL Coil & Magnet Assy (NG)	
3	HOO-0250	Retainer Ring	
4	1.375-0041	10-32 Contact Receptacle	
5	HOO-0027	6-32 x 1/4" Pan Hd. Screw	
6	1.375-0179	CCL Spacer	
7	1.375-0040	CCL Retainer Insulator	
8	HOO-0316	10-32 x 2 1/2" Pan Hd. Screw	
9	1.375-0073	CCL Magnet	
10	1.375-0481	1 3/8" CCL Housing	
	1.437-0010	1 7/16" CCL Housing	
	3099	1 5/8" CCL Housing	
11	PSA-044	CCL Coil Assy (NG)	



**APPLIED  
ELECTRONIC  
SYSTEMS**

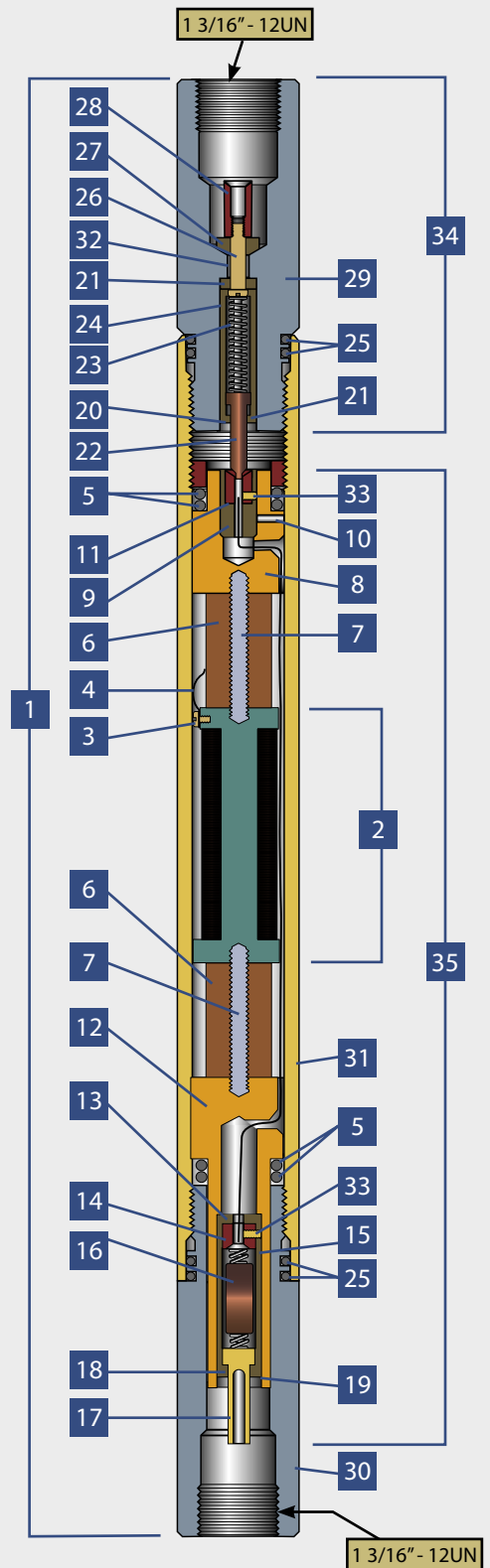
a **Sondex** company  
[www.aesla.com](http://www.aesla.com)

CCL0-8

# CASING COLLAR LOCATOR COMPONENTS

## 1 11/16" Casing Collar Locator

Ref.	Part No.	Description	(G) Grounded, (NG) Non-Grounded
1	AS6-0005	1 11/16" Casing Collar Locator Complete Assy (G)	
2	PSA-045	1 11/16" Coil Assy (G)	
3	HOO-0004	4-48 x 1/8" Pan Hd. Screw	
4	HOO-0126	Ground Spring	
5	000-0316	O-Rings: 316	
6	1.375-0073	Collar Locator Magnet	
7	1.687-0031	CCL Connecting Rod	
8	1.687-0015	1 11/16" CCL Upper Pole Piece	
9	1.687-0016	CCL End Contact Insulator	
10	HOO-0083	6-32 x 5/16" Socket Set Screw	
11	1.687-0019	CCL Contact Receptacle	
12	1.687-0186	1 11/16" CCL Lower Pole Piece	
13	1.687-0187	Insulating Washer	
14	1.687-0188	CCL Contact Receptacle	
15	1.687-0189	Plunger Insulator	
16	SEM-0069	Double Diode	
17	1.687-0190	Brass Plunger	
18	1.687-0191	Plunger Washer	
19	HOO-0254	Retainer Ring	
20	HOO-0065	Retainer Ring	
21	1.-0041	Insulating Washer	
22	1.-0033	Contact Plunger	
23	1.-0037	Contact Spring	
24	1.-0042	Plunger Insulator	
25	000-0217	O-Rings: 217	
26	HOO-0139	10-32 x 1" Pan Hd. Screw	
27	1.-0086	Beveled Insulating Washer	
28	1.-0087A	Contact Receptacle	
29	1.687-0018	CCL Upper Adapter Sub	
30	1.687-0192	CCL Lower Adapter Sub	
31	1.687-0013	1 11/16" CCL Housing	
32	BOO-0032	Insulating Sleeve	
33	HOO-0141	6-32 x 1/8" Socket Set Screw	
34	AS6-0005-2	1 11/16" CCL Top Sub Assy.	
35	AS6-0005-1	1 11/16" CCL Coil & Magnet Assy (G)	



**APPLIED  
ELECTRONIC  
SYSTEMS**

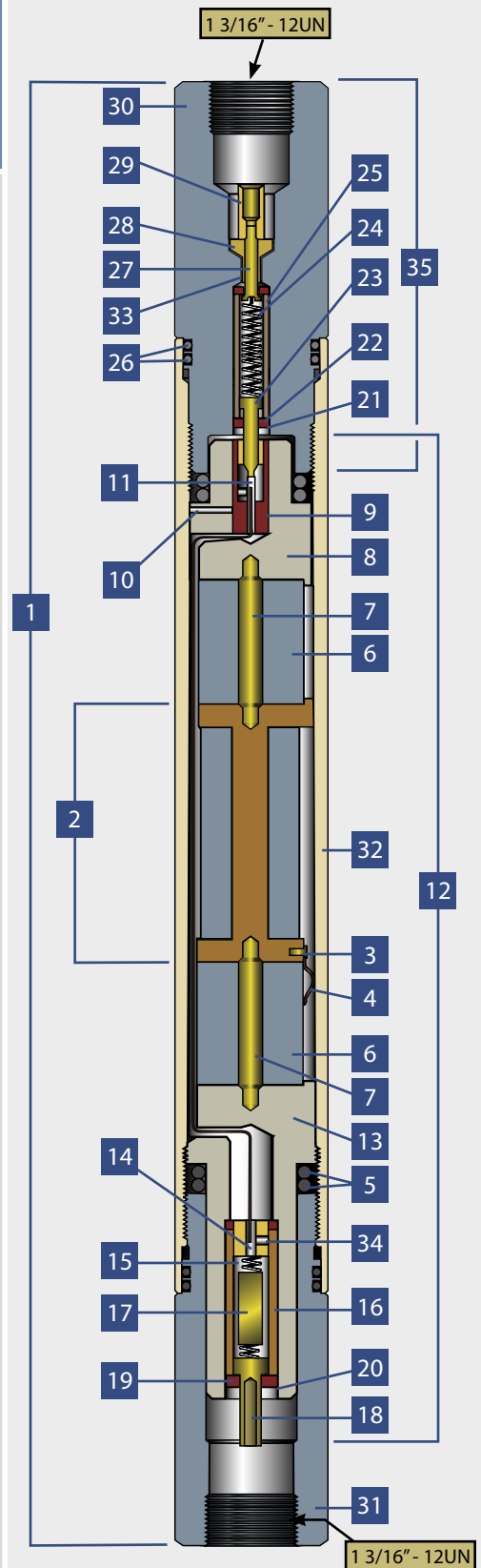
a **Sondex** company  
[www.aesla.com](http://www.aesla.com)

CCL0-9

# CASING COLLAR LOCATOR COMPONENTS

## 2 1/8" Casing Collar Locator

Ref.	Part No.	Description	(G) Grounded, (NG) Non-Grounded
1	AS9-0048	2 1/8" CCL Complete Assy (G)	
2	PSA-065	2 1/8" Coil Assy (G)	
3	HOO-0004	4-40 x 1/4" Pan Hd. Screw	
4	HOO-0126	Ground Spring	
5	000-0320	O-Rings: 320	
6	2.0116	Collar Locator Magnet	
7	1.687-0031-2	CCL Connecting Rod	
8	2.0113	2 1/8" CCL Upper Pole Piece	
9	2.0115	CCL End Contact Insulator	
10	HOO-0083	6-32 x 5/16" Socket Set Screw	
11	1.687-0019	CCL Contact Receptacle	
12	AS9-0048-1	2 1/8" CCL Coil & Magnet Assy (G)	
13	2.0112	2 1/8" CCL Lower Pole Piece	
14	1.687-0187	Insulating Washer	
15	1.687-0088	CCL Contact Receptacle	
16	1.687-0089	Plunger Insulator	
17	SEM-0069	Double Diode	
18	1.687-0190	Brass Plunger	
19	1.687-0191	Plunger Washer	
20	HOO-0254	Retainer Ring	
21	HOO-0265	Retainer Ring	
22	1.-0041	Insulating Washer	
23	1.-0033	Contact Plunger	
24	1.-0037	Contact Spring	
25	1.-0042	Plunger Insulator	
26	000-0223	O-Rings: 223	
27	HOO-0139	10-32 x 1" Pan Hd. Screw	
28	1.-0086	Beveled Insulating Washer	
29	1.-0087A	Contact Receptacle	
30	2.0109	CCL Upper Adapter Sub	
31	2.0110	CCL Lower Adapter Sub	
32	2.0111	2 1/8" CCL Housing	
33	BOO-0032	Insulating Sleeve	
34	HOO-0141	6-32 x 1/8" Socket Set Screw	
35	AS9-0048-2	2 1/8" CCL Top Sub Assy (G)	



**APPLIED  
ELECTRONIC  
SYSTEMS**

a **Sondex** company  
[www.aesla.com](http://www.aesla.com)

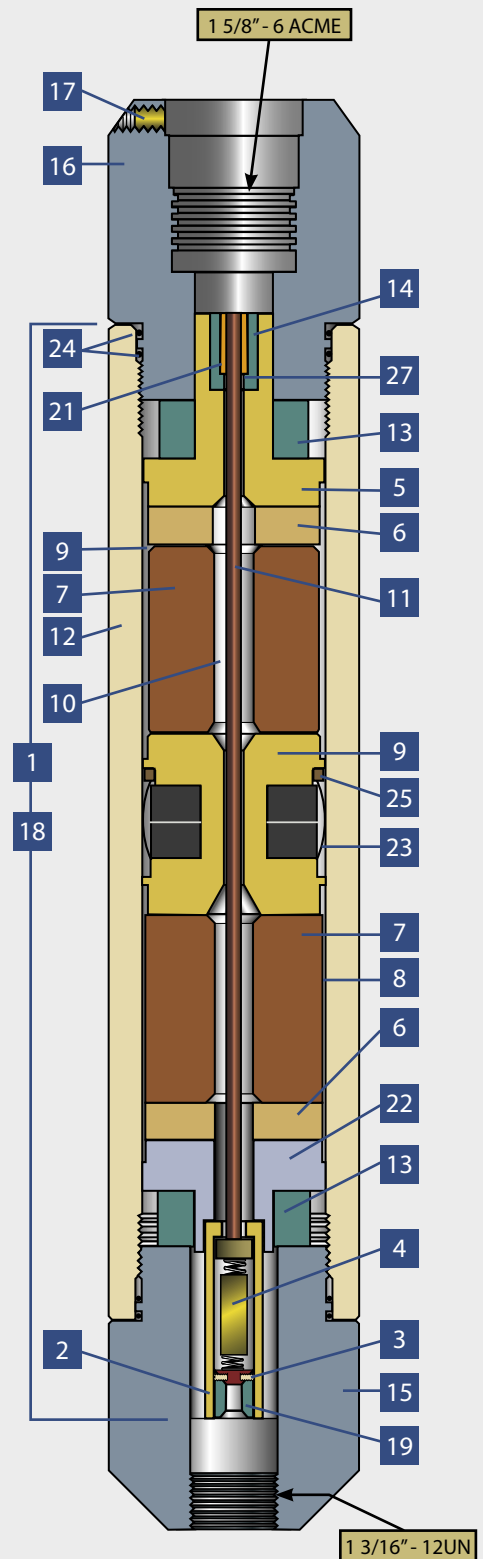
CCL0-10

# CASING COLLAR LOCATOR COMPONENTS

## 3 1/8" - 3 1/4" Casing Collar Locator

Ref.	Part No.	Description	(G) Grounded, (NG) Non-Grounded
1	AS9-0021	3 1/4" CCL Complete Assy (G)	
	AS9-0021-3 1/8	3 1/8" CCL Complete Assy (G)	
2	3.250-0109	CCL End Insulator	
3	HOO-0004	4-40 x 1/8" Pan Hd. Screw	
4	SEM-0069	Double Diode	
5	3.250-0108	CCL Upper Pole Piece	
6	3.250-0158	CCL Magnet Spacer	
7	3.250-0142	CCL Magnet	
8	3.250-0155	Magnet Sleeve	
9	PSA-046	Coil Holder Assy (G)	
10	BOO-0032	Thru Rod Ins. Sleeve	
11	1.375-0479	Thru Rod	
12	3.0045	CCL Housing	
13	3.250-0112	Shock Absorber	
14	1.375-0037	10-32 Contact	
15	3.250-0061	Top Sub	
	3.250-0061-3 1/8	Top Sub	
16	3.250-0060	Bottom Sub	
	3.250-0060-3 1/8	Bottom Sub	
17	HOO-0343	5/16-24 x 3/8" Lg. Set Screw	
18	AS90021-1	3 1/4" CCL Coil & Magnet Assy (G)	
19	1.0172	1" CCL Upper Brass Cont.	
20	1.3750081	10-32 Spacer Contact	
21	3.250-0110	CCL Lower Insulator	
22	3.250-0107	CCL Lower Pole Piece	
23	HOO-0431	Ground Spring	
24	000-0229	O-Rings (4 Required)	
25	HOO-0004	4-40 x 1/4" Pan Hd. Screw	
26	HOO-0333	#10 Ext. Star Washer*	
27	HOO-0076	#10 Int. Star Washer*	

\*Please check with AES before ordering. This material has changed and is used only on old style.



**APPLIED  
ELECTRONIC  
SYSTEMS**

a **Sondex** company  
[www.aesla.com](http://www.aesla.com)

CCL0-11

# SINKER BAR SPECIFICATIONS

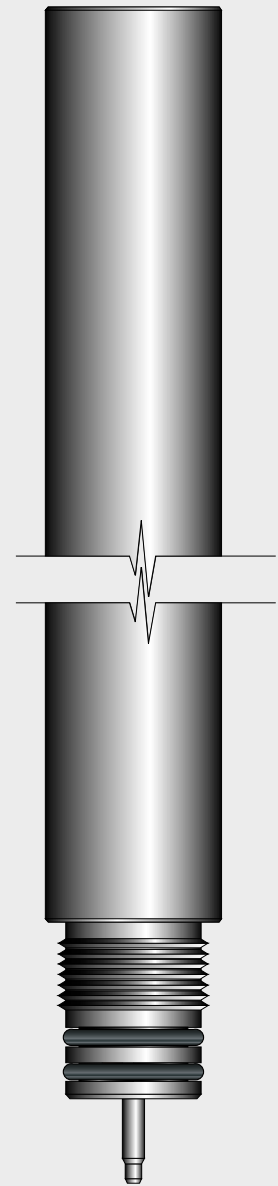


## SINKER BARS

### Sinker Bars

AES sinker bars are manufactured in steel, lead and tungsten.

Parameters	Imperial	Metric
OD Size:	5/8" – 2"	15.9 mm - 50.8 mm
Length:	3', 5' and 7'	0.9 m, 1.5 m and 2.1 m
Weight:	2.5lbs to 130lbs	1.1kg to 59kg
Temperature:	500°F	260°C
Pressure:	21,000psi	144 MPa



**APPLIED  
ELECTRONIC  
SYSTEMS**

a **Sondex** company  
[www.aesla.com](http://www.aesla.com)

# SINKER BAR PRODUCT RANGES

Part No.	Description	Weight	Page
----------	-------------	--------	------

## 5/8" - 11/16" - Non Contact

AS0-0004	AES 5/8" x 2-1/2 ft. Sinker Bar Assy	3lbs - 1.3kgs	SB0-4
----------	--------------------------------------	---------------	-------

NOTE: Thread size on this size range is 1/2" - 20 UNF

## 5/8" - 11/16" - Contact

AS0-0013	AES 5/8" X 3 ft. Sinker Bar Assy	3lbs - 1.3kgs	SB0-4
AS1-0013	AES 11/16" X 3 ft. Sinker Bar Assy	4lbs - 1.8kgs	SB0-4

NOTE: Thread size on this size range is 1/2" - 20 UNF

## 3/4" - Steel Bars

AS2-0005	3/4" X 5' Steel Sinker Bar Assy	8lbs - 3.6kgs	SB0-5
----------	---------------------------------	---------------	-------

NOTE: Thread size on this size range is .555-28 STUB ACME-3G

## 1" - Steel Bars

AS3-0004	1" x 5' Sinker Bar Assy	13lbs - 5.9kgs	SB0-6
----------	-------------------------	----------------	-------

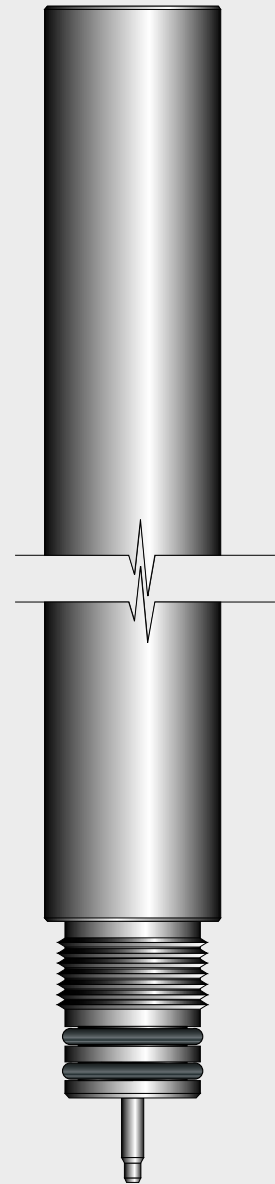
NOTE: Thread size on this size range is 3/16" - 16 UN

## 1" - Tungsten Bars

AS3-0016	1" x 5' Tungsten Sinker Bar Assy	13lbs - 5.9kgs	SB0-6
AS3-0017	1" x 7' Tungsten Sinker Bar Assy	13lbs - 5.9kgs	SB0-6

NOTE: Thread size on this size range is 3/16" - 16 UN

Continued Next Page



**APPLIED  
ELECTRONIC  
SYSTEMS**

a **Sondex** company  
[www.aesla.com](http://www.aesla.com)

# SINKER BAR PRODUCT RANGES

Part No.	Description	Weight	Page
----------	-------------	--------	------

## 1-3/8" - 2" - Steel Bars

AS4-0004	1 3/8" X 5' Steel Sinker Bar Assy	23 lbs - 10.40 kgs	SB0-7
AS5-0016	1 7/16" X 5' Steel Sinker Bar Assy	23 lbs - 10.40 kgs	SB0-7
AS6-0002	1 11/16" X 5' Steel Sinker Bar Assy	36 lbs - 16.30 kgs	AOR
AS9-0059	2" X 5' Steel Sinker Bar Assy	51 lbs - 23.13 kgs	AOR

NOTE: Thread size on this size range is 1 3/16" - 12 UN

## 1-3/8" - 2" - Tungsten Bars

AS4-0009	1 3/8" X 5' Tungsten Sinker Bar Assy	38 lbs - 17.20 kgs	SB0-7
AS4-0015	1 3/8" X 7' Tungsten Sinker Bar Assy	55 lbs - 25.00 kgs	SB0-7
AS5-0004	1 7/16" X 5' Tungsten Sinker Bar Assy	42 lbs - 19.00 kgs	SB0-7
AS5-0005	1 7/16" X 7' Tungsten Sinker Bar Assy	57 lbs - 25.90 kgs	SB0-7
AS6-0003-1	1 11/16" X 3' Tungsten Sinker Bar Assy	35 lbs - 15.90 kgs	SB0-7
AS6-0003	1 11/16" X 5' Tungsten Sinker Bar Assy	60 lbs - 27.20 kgs	SB0-7
AS6-0004	1 11/16" X 7' Tungsten Sinker Bar Assy	85 lbs - 38.50 kgs	SB0-7
AS9-0001	2" X 5' Tungsten Sinker Bar Assy	93 lbs - 42.10 kgs	SB0-7
AS9-0002	2" X 7' Tungsten Sinker Bar Assy	130 lbs - 59.00 kgs	SB0-7
AS5-0004SR*	1 7/16" X 5' Tungsten Sinker Bar Assy - 5/8" Sucker Rod	42 lbs - 19.00 kgs	AOR
AS6-0003SR*	1 11/16" X 5' Tungsten Sinker Bar Assy - 5/8" Sucker Rod	57 lbs - 25.90 kgs	AOR
AS6-0050 OTL	1 11/16" X 5' Tungsten Over The Line Sinker Bar	61 lbs - 27.67 kgs	AOR
AS6-0051 OTL	1 11/16" X 7' Tungsten Over The Line Sinker Bar	86 lbs - 39.00 kgs	AOR
AS9-0035 OTL	2" X 5' Tungsten Over the line Sinker Bar	94 lbs - 42.63 kgs	AOR

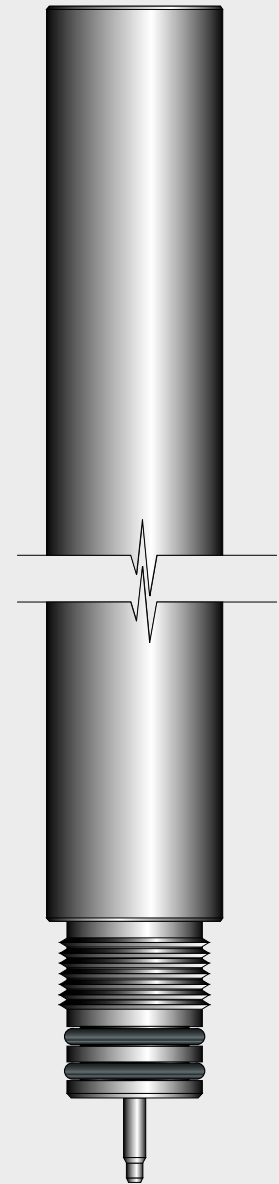
NOTE: Thread size on this size range is 1 3/16" - 12 UN

\*Sucker Rod Connections

## 1-3/8" - 2" - Lead Bars

AS4-0099	1 3/8" X 7' Lead Sinker Bar Assy	42 lbs - 19.00 kgs	AOR
AS5-0020	1 7/16" X 3' Lead Sinker Bar Assy	19 lbs - 8.60 kgs	SB0-7
AS5-0021	1 7/16" X 5' Lead Sinker Bar Assy	32 lbs - 14.50 kgs	SB0-7
AS5-0022	1 7/16" X 7' Lead Sinker Bar Assy	45 lbs - 20.40 kgs	SB0-7
AS6-0032	1 11/16" X 3' Lead Sinker Bar Assy	26 lbs - 11.80 kgs	SB0-7
AS6-0033	1 11/16" X 5' Lead Sinker Bar Assy	45 lbs - 20.40 kgs	SB0-7
AS6-0034	1 11/16" X 7' Lead Sinker Bar Assy	63 lbs - 28.60 kgs	SB0-7
AS9-0022	2" X 3' Lead Sinker Bar Assy	38 lbs - 17.20 kgs	SB0-7
AS9-0023	2" X 5' Lead Sinker Bar Assy	66 lbs - 29.90 kgs	SB0-7
AS9-0024	2" X 7' Lead Sinker Bar Assy	94 lbs - 42.60 kgs	SB0-7

NOTE: Thread size on this size range is 1 3/16" - 12 UN



**APPLIED  
ELECTRONIC  
SYSTEMS**

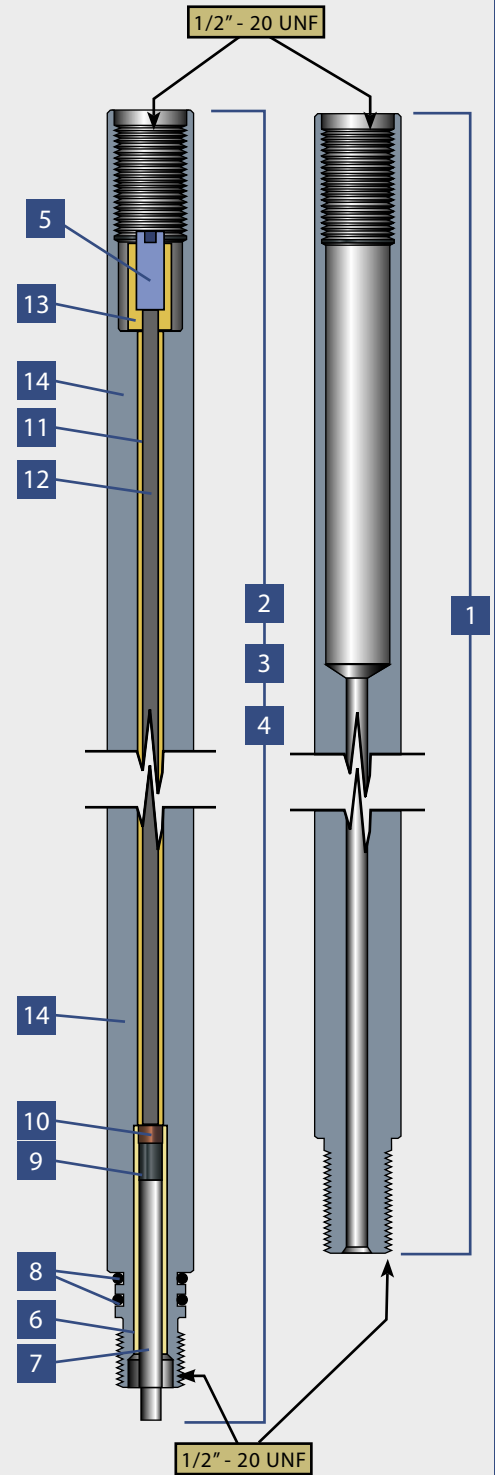
a **Sondex** company

[www.aesla.com](http://www.aesla.com)

# SINKER BAR COMPONENTS

## 5/8" - 11/16" Sinker Bars

Ref.	Part No.	Description
1	ASO-0004	5/8" x 2-1/2' Assy
2	ASO-0013	5/8" x 3' Assy
3	AS1-0013	11/16" x 3' Assy
4	Kit-0-0013	Complete Kit Assy
5	0.687-0012	4-40 Contact Receptacle
6	B00-0032	Insulating Sleeve
7	CON-0011	Spring Loaded Contact
8	000-0012	O-Rings: 012
9	0.687-0031	Crossover Contact
10	0.687-0002	Insulating Washer
11	Boo-0102	Insulating Sleeve
12	0.625-0062	4-40 Contact Rod - 33 7/8" LG.
13	0.687-0003	Contact Insulator
14	0.625-0046	3 ft. Sinker Bar Body (5/8" OD)
	0.687-0084	3 ft. Sinker Bar Body (11/16" OD)



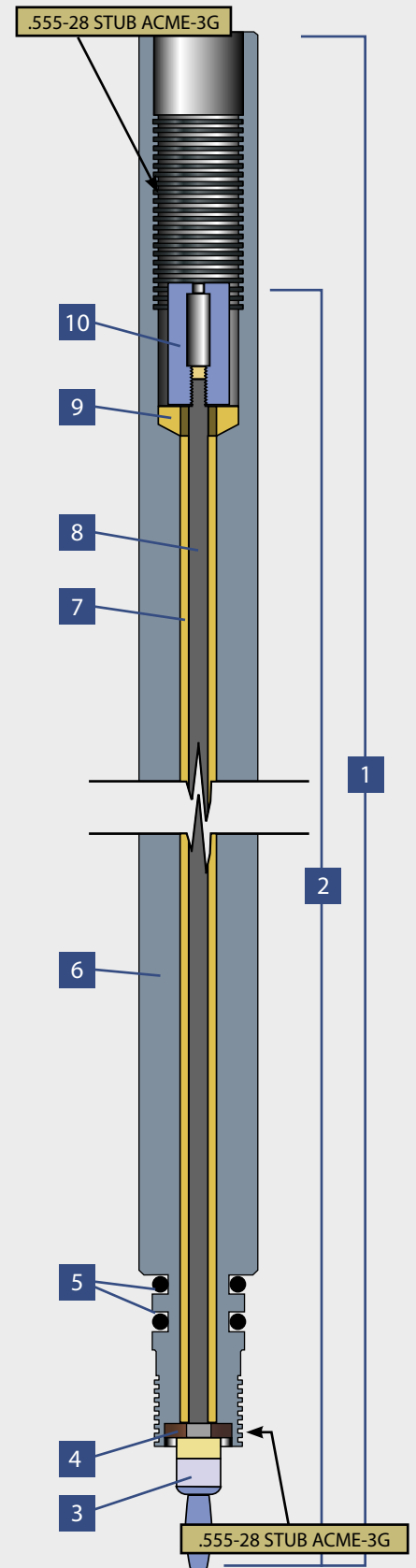
**APPLIED  
ELECTRONIC  
SYSTEMS**

a **Sondex** company  
[www.aesla.com](http://www.aesla.com)

# SINKER BAR COMPONENTS

## 3/4" Sinker Bars

Ref.	Part No.	Description
1	AS2-0005	3/4" x 5' Sinker Bar Assy (Steel)
2	KIT-2-0005	Complete Kit Assy*
3	CON-0004	6-32 Banana Plug
4	0.437-0001	Insulating Washer
5	000-0110	O-Rings: 110
6	0.750-0030	3/4" Sinker Bar Body
7	B00-101	Insulating Sleeve
8	0.750-0010	6-32 Contact Rod
9	0.500-0004	Beveled Insulating Washer
10	1.-0031	6-32 Contact Receptacle
11	0.750-0092	3/4" GO Box Protector
12	0.750-0091	3/4" GO Pin Protector



**APPLIED  
ELECTRONIC  
SYSTEMS**

a **Sondex** company

[www.aesla.com](http://www.aesla.com)

SB0-5

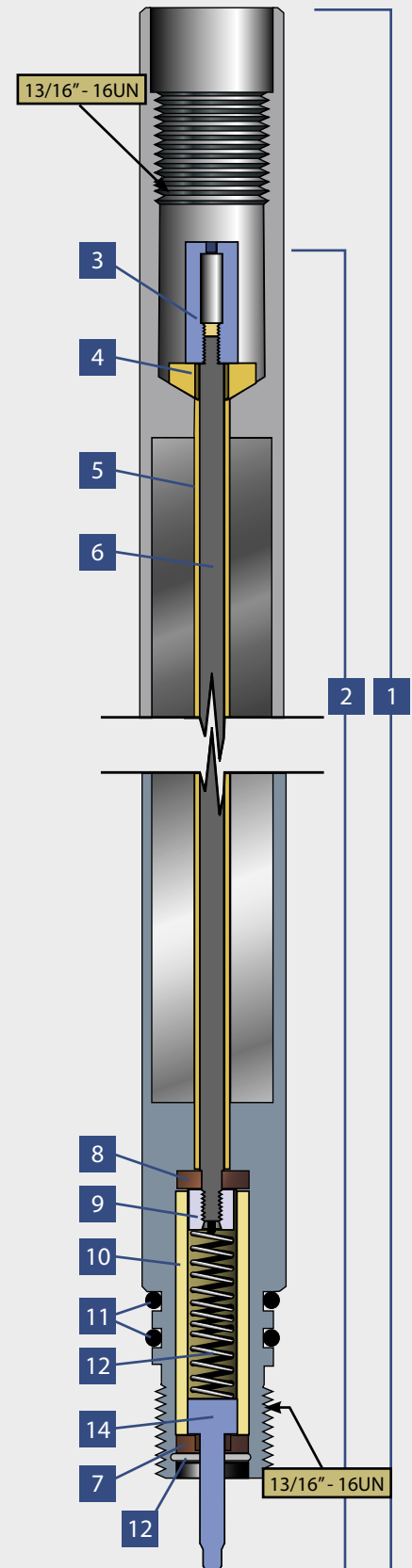
# SINKER BAR COMPONENTS

## 1" Sinker Bars

Ref.	Part No.	Description
1	AS3-0004	1" x 5' Sinker Bar Assy
	1.0065	1" x 5' Sinker Bar Body
	AS3-0016	1" x 5' Tungsten Sinker Bar Assy
	AS3-0017	1" x 7' Tungsten Sinker Bar Assy
2	KIT-30004	Complete Kit Assy* (5' Steel Plunger)
	KIT-30004B	Complete Kit Assy* (5' Steel/Banana Plug)
	KIT-30016	Complete Kit Assy* (5' Tungsten Plunger)
	KIT-30016B	Complete Kit Assy* (5' Tungsten/Banana Plug)
	KIT-30017	Complete Kit Assy* (7' Tungsten Plunger)
	KIT-30017B	Complete Kit Assy* (7' Tungsten/Banana Plug)
3	1.0087B	10-32 Contact Receptacle
4	1.0086	Beveled Insulating Washer
5	BOO-0032	Insulating Sleeve
6	1.0221	10-32 Contact Rod (5' Steel Plunger)
	1.0221B	10-32 Contact Rod (5' Steel/Banana Plug)
	1.0221	10-32 Contact Rod (5' Tungsten Plunger)
	1.0222	10-32 Contact Rod (5' Tungsten/Banana Plug)
	1.0221B	10-32 Contact Rod (7' Tungsten Plunger)
	1.0222B	10-32 Contact Rod (7' Tungsten/Banana Plug)
7	1.0041	Insulating Washer
8	1.3750081	10-32 Spacer Contact
9	1.0042	Contact Insulator
10	000-0115	C-67 O-Ring: 115
11	1.0037	Contact Spring
12	HOO-0065	Retainer Ring
13	1.0033	Contact Plunger

\*Does not include O-Rings.

\*\*Specify length when ordering.



**APPLIED  
ELECTRONIC  
SYSTEMS**

a **Sondex** company

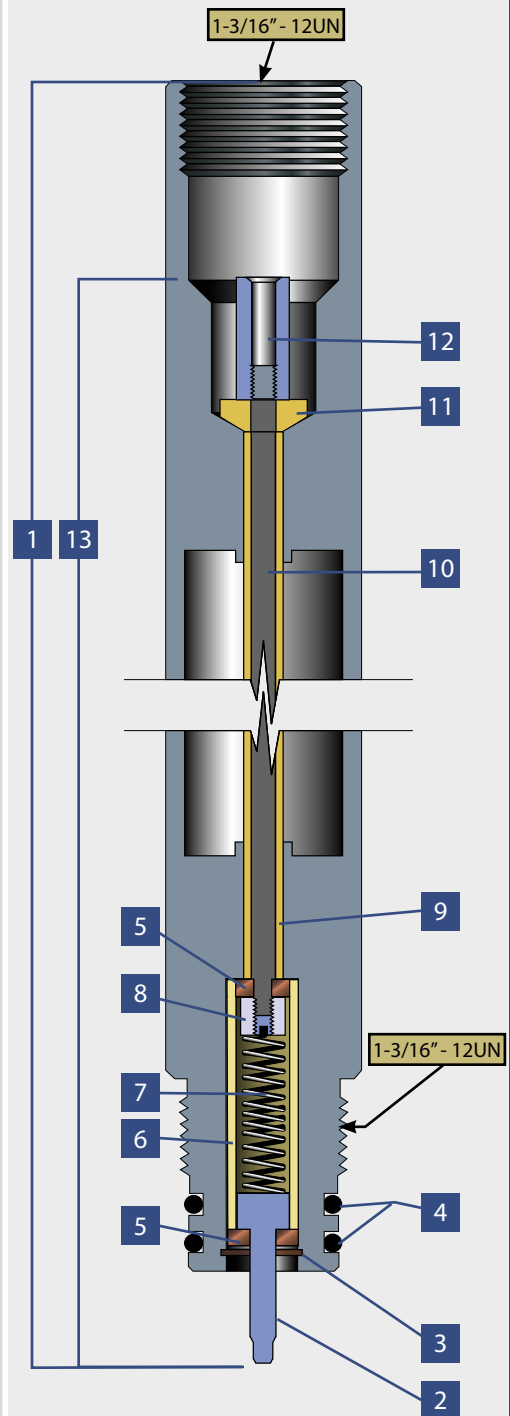
[www.aesla.com](http://www.aesla.com)

SB0-6

# SINKER BAR COMPONENTS

## 1-3/8" - 2" Sinker Bars

Ref.	Part No.	Description
1	AS4-0004	1 3/8" X 5' Steel Sinker Bar Assy
	AS5-0016	1 7/16" X 5' Steel Sinker Bar Assy
	AS6-0002	1 11/16" X 5' Steel Sinker Bar Assy
	AS4-0009	1 3/8" X 5' Tungsten Sinker Bar Assy
	AS4-0015	1 3/8" X 7' Tungsten Sinker Bar Assy
	AS5-0004	1 7/16" X 5' Tungsten Sinker Bar Assy
	AS5-0005	1 7/16" X 7' Tungsten Sinker Bar Assy
	AS6-0003-1	1 11/16" X 3' Tungsten Sinker Bar Assy
	AS6-0003	1 11/16" X 5' Tungsten Sinker Bar Assy
	AS6-0004	1 11/16" X 7' Tungsten Sinker Bar Assy
	AS9-0001	2" X 5' Tungsten Sinker Bar Assy
	AS9-0002	2" X 7' Tungsten Sinker Bar Assy
	AS5-0020	1 7/16" X 3' Lead Sinker Bar Assy
	AS5-0021	1 7/16" X 5' Lead Sinker Bar Assy
	AS5-0022	1 7/16" X 7' Lead Sinker Bar Assy
	AS6-0032	1 11/16" X 3' Lead Sinker Bar Assy
	AS6-0033	1 11/16" X 5' Lead Sinker Bar Assy
	AS6-0034	1 11/16" X 7' Lead Sinker Bar Assy
	AS9-0022	2" X 3' Lead Sinker Bar Assy
	AS9-0023	2" X 5' Lead Sinker Bar Assy
AS9-0024	2" X 7' Lead Sinker Bar Assy	
2	1.0033	Contact Plunger
3	HOO-0065	Retainer Ring
4	OOO-0211	C-67 211 O-Ring
5	1.0041	Insulating Washer
6	1.0042	Contact Insulator
7	1.0037	Contact Spring
8	1.375-0081	Contact Nut
9	BOO-0032	Insulating Sleeve
10	1.375-0393	Contact Thru Rod For 3' Bars (Plunger Contact)
	1.375-0296	Contact Thru Rod For 5' BARS (Plunger Contact)
	1.375-0184	Contact Thru Rod For 7' BARS (Plunger Contact)
11	1.0086	Insulating Bevel Washer
12	1.0087A	Contact Receptacle
13	KIT-6-0032	All 3' Bars Listed Above (Plunger Contact)
	KIT-4-0004	All 5' Bars Listed Above (Plunger Contact)
	KIT-4-0015	All 7' Bars Listed Above (Plunger Contact)



**APPLIED  
ELECTRONIC  
SYSTEMS**

a **Sondex** company  
[www.aesla.com](http://www.aesla.com)

# CABLE HEAD SPECIFICATIONS



## CABLE HEADS

### CABLE HEADS

AES cable heads are available in various sizes and types.

Parameters	Imperial	Metric
OD Size:	5/8" – 2"	15.9 mm - 50.8 mm
Line Size:	7/32", 5/16", 3/8", others	5.5mm, 7.7mm, 9.5mm, others
Temperature:	500°F	260°C



**APPLIED  
ELECTRONIC  
SYSTEMS**

a **Sondex** company  
[www.aesla.com](http://www.aesla.com)

# CABLE HEAD PRODUCT RANGES

Part No.	Description	Page
----------	-------------	------

## 5/8"

AS0-0003	5/8" Cable Head Complete Assy (Clamp ring)	CH0-3
----------	--	-------

## 11/16"

AS1-0006	11/16" Cable Head Complete Assy (Clamp ring)	CH0-3
----------	--	-------

## 3/4"

AS2-0004	3/4" Cable Head Complete Assy (Clamp ring)	CH0-4
----------	--	-------

## 1"

AS3-0003	1" Cable Head Complete Assy (Clamp ring)	CH0-5
----------	--	-------

## 1 3/8"

AS4-0095	1 3/8" Cable Head Complete Assy (Cone & washer)	CH0-6
----------	---	-------

AS4-0003	1 3/8" Cable Head Complete Assy (Clamp ring)	CH0-7
----------	--	-------

## 1 7/16"

AS5-0012	1 7/16" Cable Head Complete Assy (Cone & washer)	CH0-6
----------	--	-------

AS5-0013	1 7/16" Cable Head Complete Assy (Clamp ring)	CH0-7
----------	---	-------

## 1 11/16"

AS6-0059	1 11/16" Cable Head Complete Assy (Cone & washer)	CH0-8
----------	---	-------

AS6-0036	1 11/16" Cable Head Complete Assy (Clamp ring)	CH0-9
----------	--	-------

\* Specify line size when ordering



**APPLIED  
ELECTRONIC  
SYSTEMS**

a **Sondex** company

[www.aesla.com](http://www.aesla.com)

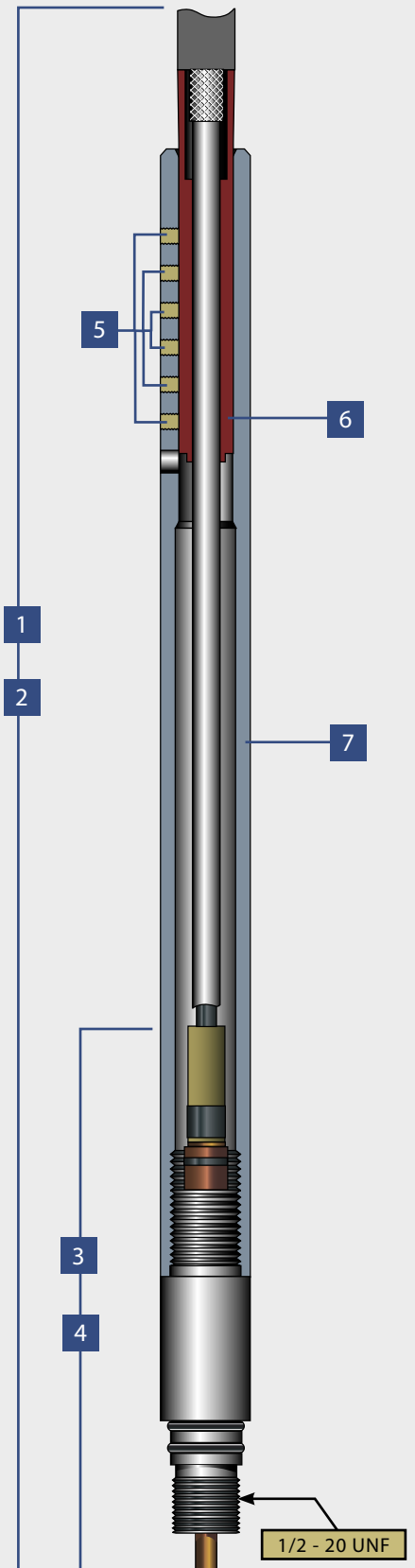
CH0-2

# CABLE HEAD COMPONENTS

## 5/8"-11/16" Cable Head Assy (Clamp Ring)

Ref.	Part No.	Description
1	AS0-0003*	5/8" Cable Head Complete Assy (Clamp ring)
2	AS1-0006*	11/16" Cable Head Complete Assy (Clamp ring)
3	AS0-0001	5/8" Tear Drop w/Wet Connection
4	AS1-0014	11/16" Tear Drop w/Wet Connection
5	HOO-0047	10-32 x 3/16" Set Screw for 5/16" line (12 req.)
	HOO-0050	10-32 x 1/4" Set Screw for 7/32" line (12 req.)
6	0.625-0010*	Cablehead Clamp Tube, 5/16" line
	0.625-0082*	Cablehead Clamp Tube, 7/32" line
7	0.687-0087*	11/16" Cablehead Body, 5/16" line
	0.687-0091*	11/16" Cablehead Body, 7/32" line

\* Specify line size when ordering



**APPLIED  
ELECTRONIC  
SYSTEMS**

a **Sondex** company  
www.aesla.com

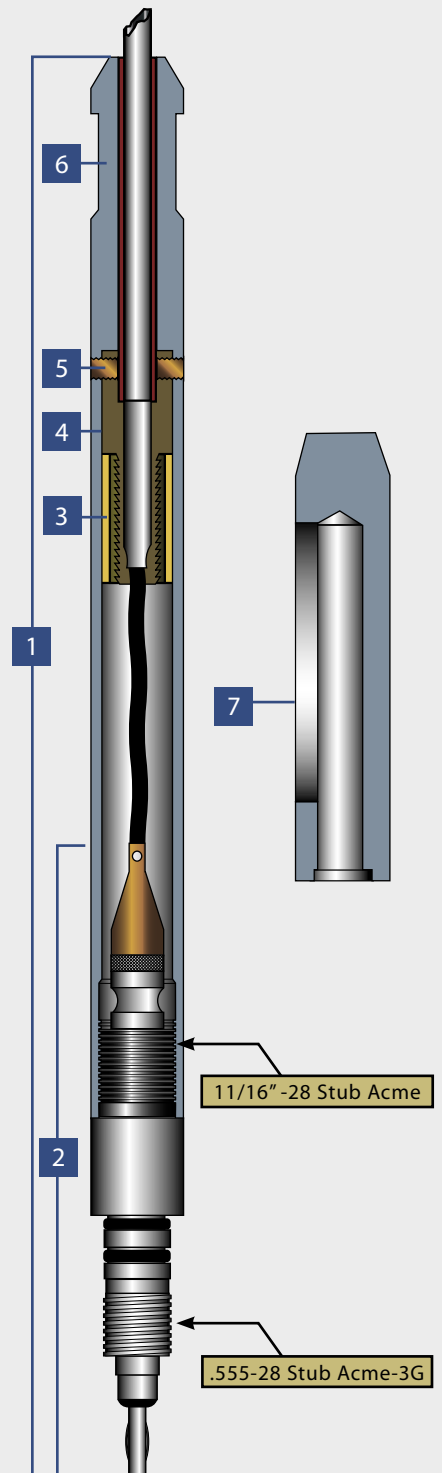
CH0-3

# CABLE HEAD COMPONENTS

## 3/4" Cable Head Assy (Clamp Ring)

Ref.	Part No.	Description
1	AS2-0004*	3/4" Cable Head Complete Assy (Clamp ring)
2	AS2-0002	3/4" Tear Drop Assy
3	0.750-0085	3/4" Clamp Ring (7/32" Line)
	0.750-0081	3/4" Clamp Ring (5/16" Line)
4	0.750-0084	3/4" Rope Socket Body (7/32" Line)
	0.750-0080	3/4" Rope Socket Body (5/16" Line)
5	HOO-0329	1/4-28 X 1/4" Socket Set Screw
6	0.750-0028*	3/4" Cable Head Sub
7	0.750-0087	3/4" Rope Socket Tool
8	AS2-0014	3/4" Tear Drop to 11/16" AES Pin
9	0.850-0029	3/4" Cone Nut
10	0.437-0001	Insulating Washer
11	0.687-0024	6-32 Contact Rod
12	BOO-0034	Teflon® Insulating Sleeve
13	0.750-0015	Contact Sub Body
14	0.687-0002	Insulating Washer
15	BOO-0032	Teflon® Insulating Sleeve
16	000-0012	O-Rings: 012
17	CON-0011	Spring Loaded Pogo Contact
18	AS2-0016	3/4" Goex Severing Tool Tear Drop to 11/16" AES Pin
19	000-0112	O-Rings: 112
20	KIT-2-0014*	Complete Kit Assy

\* Specify line size when ordering



**APPLIED  
ELECTRONIC  
SYSTEMS**

a **Sondex** company

[www.aesla.com](http://www.aesla.com)

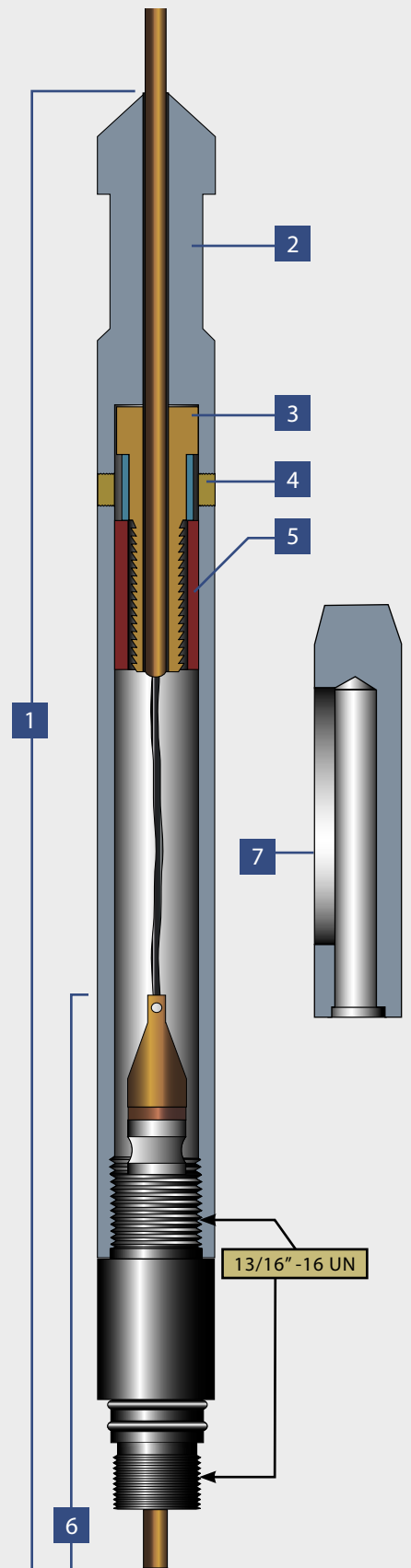
CH0-4

# CABLE HEAD COMPONENTS

## 1" Cable Head Assy (Clamp Ring)

Ref.	Part No.	Description
1	AS3-0003*	1" Cable Head Complete Assy (Clamp ring)
2	1.-0096	1" Cable Head Body
3	1.-0077	1" Rope Socket Body (5/16" Line)
	1.-0099	1" Rope Socket Body (3/16", 7/32" Line)
4	HOO-0080	5/16" -24 Socket Set Screw
5	1.-0076	1" Clamp Ring (5/16" Line)
	1.-0098	1" Clamp Ring (3/16", 7/32" Line)
6	AS3-0001	1" Tear Drop Sub Assy
7	EXP-014	1" Rope Socket Tool

\* Specify line size when ordering



**APPLIED  
ELECTRONIC  
SYSTEMS**

a **Sondex** company  
[www.aesla.com](http://www.aesla.com)

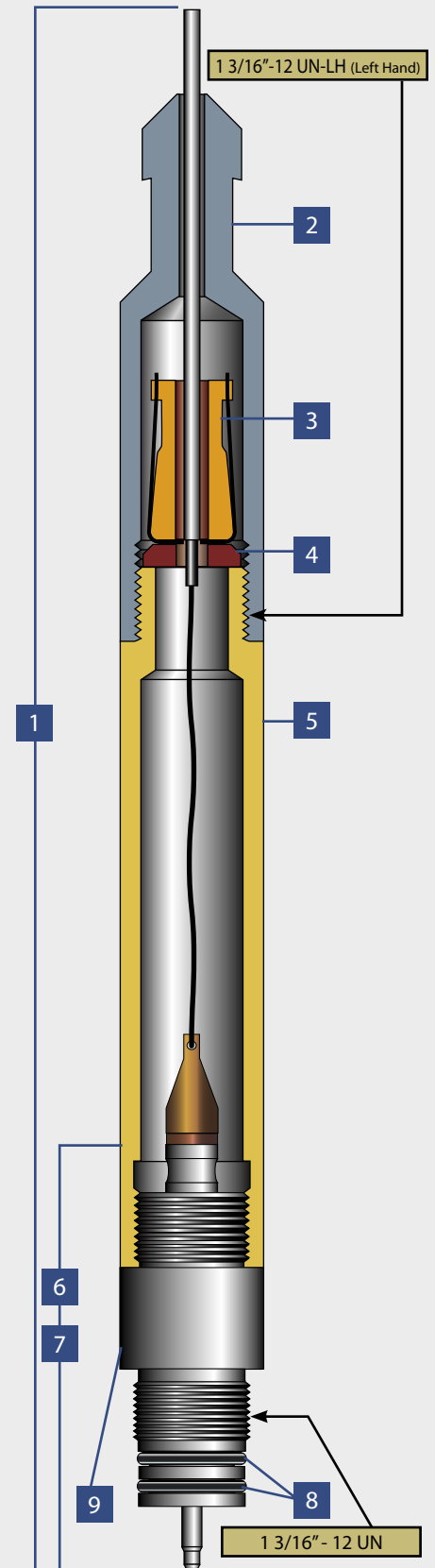
CH0-5

# CABLE HEAD COMPONENTS

## 1 3/8" or 1 7/16" Cable Head Assy (Cone & Washer)

Ref.	Part No.	Description
1	AS4-0095**	1 3/8" Cable Head Complete Assy (Cone & Washer)
	AS5-0012**	1 7/16" Cable Head Complete Assy (Cone & Washer)
2	1.437-0044**	1 7/16" Fishing Neck (3/16")
	1.375-0070**	1 3/8" Fishing Neck (3/16")
3	1.437-0047**	Cable Head Cone
4	1.437-0082	Cable Head Washer
5	1.437-0045	1 7/16" Cable Head Sleeve
	1.375-0508	1 3/8" Cable Head Sleeve
6	AS5-0014	1 7/16" Tear Drop Sub Assy
	AS4-0001	1 3/8" Tear Drop Sub Assy
7	KIT-4-0001*	Complete Kit Assy
8	000-0211	O-Rings: 211
9	1.437-0051	1 7/16" Tear Drop Sub Body
	1.375-0027	1 3/8" Tear Drop Sub Body

\*\*Specify line size when ordering.



**APPLIED  
ELECTRONIC  
SYSTEMS**

a **Sondex** company  
[www.aesla.com](http://www.aesla.com)

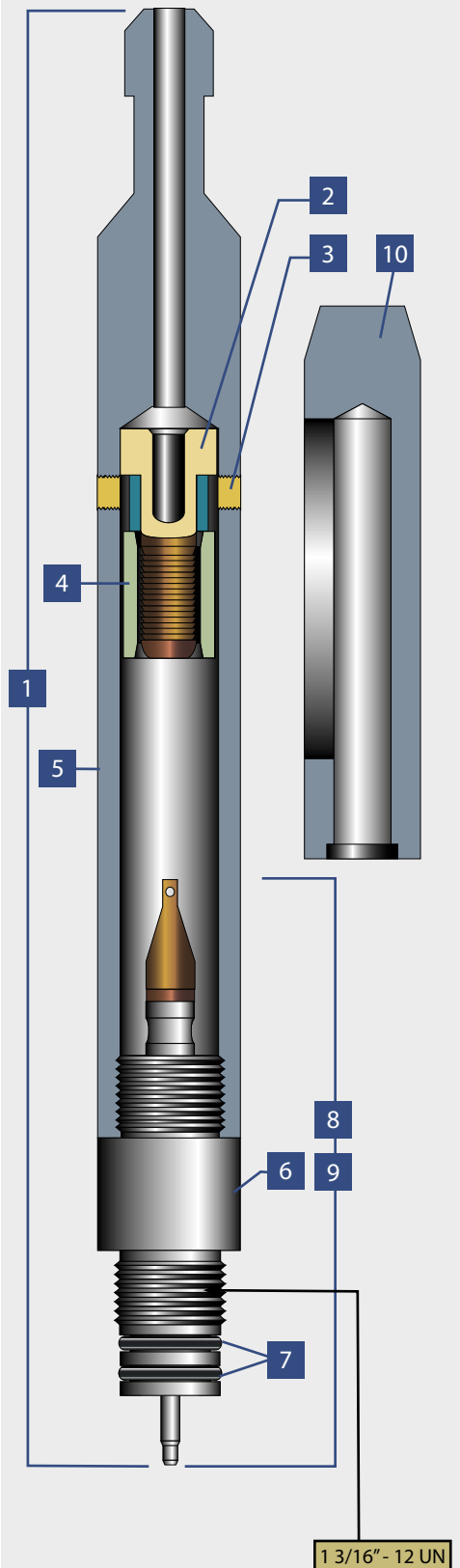
CH0-6

# CABLE HEAD COMPONENTS

## 1 3/8" or 1 7/16" Cable Head Assy (Clamp Ring)

Ref.	Part No.	Description
1	AS4-0003*	1 3/8" Cable Head Complete Assy (Clamp ring)
	AS5-0013*	1 7/16" Cable Head Complete Assy (Clamp ring)
2	1.437-0008	Rope Socket Body for 5/16" Line
	1.437-0016	Rope Socket Body for 7/32" Line
	1.437-0016	Rope Socket Body for 3/16" Line
	1.437-0014	Rope Socket Body for 7/16" Line
3	HOO-0111	3/8 - 24 x 5/16" Socket Set Screw
4	1.437-0009*	Clamp Ring
	1.437-0012	Clamp Ring for 7/16"
5	1.375-0507	1 3/8" Cable Head Body
	1.437-0001	1 7/16" Cable Head Body
6	1.375-0027	1 3/8" Tear Drop Sub Body
	1.437-0051	1 7/16" Tear Drop Sub Body
7	000-0211	O-Rings: C-67 211
8	AS4-0001	1 3/8" Tear Drop Assy
	AS5-0014	1 7/16" Tear Drop Assy
9	KIT-4-0001	Contact Kit Complete Assy (Includes items 6, 7, 8, 9, 11, 12, 14 & 15)
10	EXP-015	1 3/8" & 1 7/16" Rope Socket Tool

\*Specify line size when ordering.



**APPLIED  
ELECTRONIC  
SYSTEMS**

a **Sondex** company  
www.aesla.com

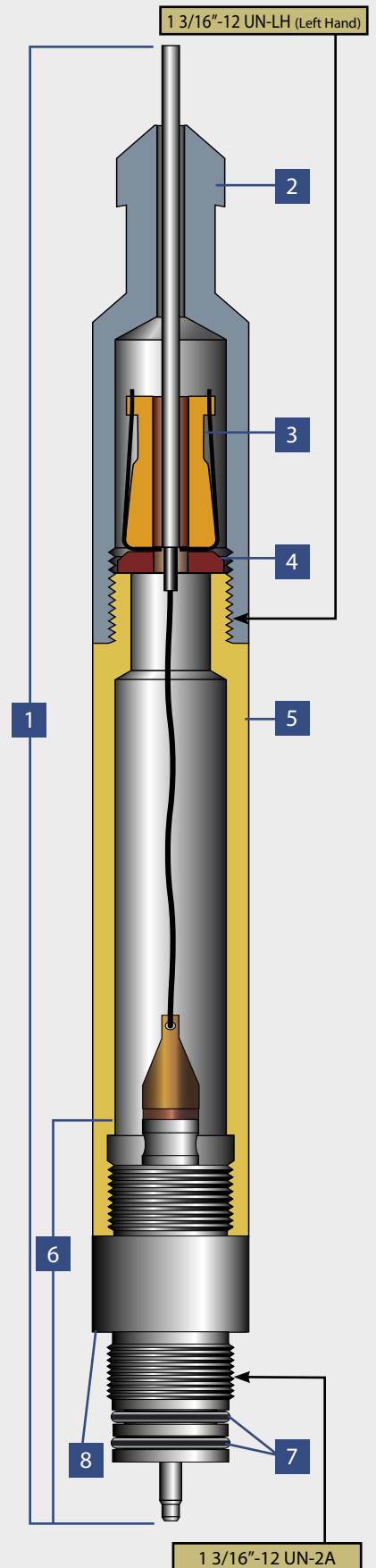
CH0-7

# CABLE HEAD COMPONENTS

## 1 11/16" Cable Head Assy (Cone & Washer)

Ref.	Part No.	Description
1	AS6-0059**	1 11/16" Cable Head Complete Assy (Cone & washer)
2	1.687-0269**	1 11/16" Fishing Neck
3	1.437-0047**	Cable Head Cone
4	1.437-0082	Cable Head Washer
5	1.687-0185	1 11/16" Cablehead Sleeve
6	AS6-0037	1 11/16" Tear Drop Sub Assy
7	000-0211	O-Rings: 211
8	1.687-0155	1 11/16" Tear Drop Sub Body

\*\*Specify line size when ordering.



**APPLIED  
ELECTRONIC  
SYSTEMS**

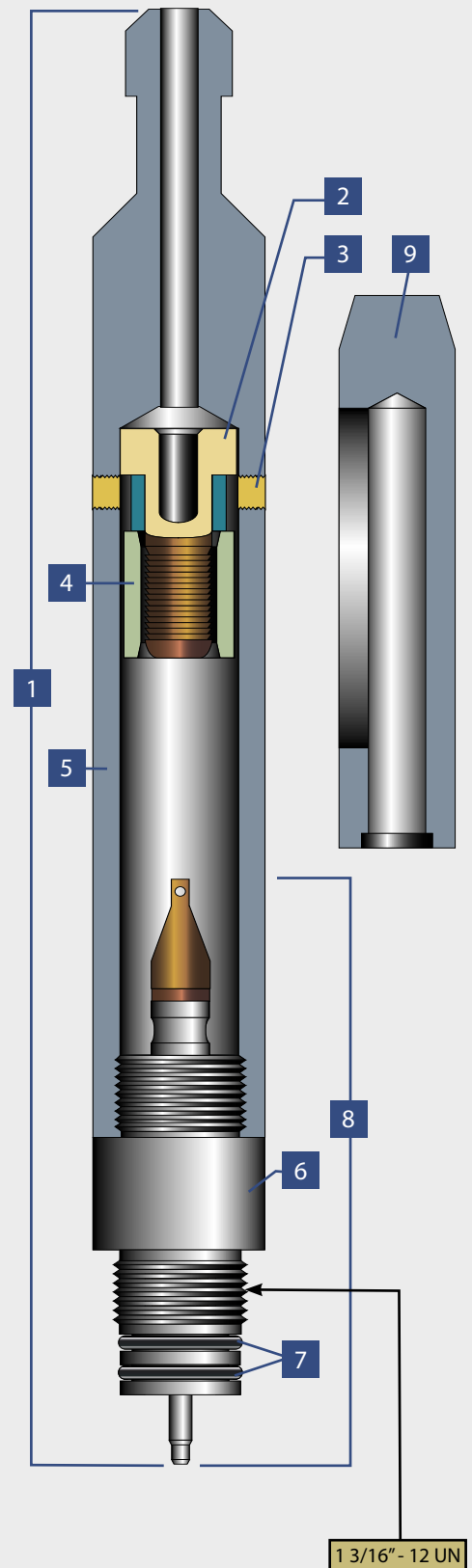
a **Sondex** company  
www.aesla.com

# CABLE HEAD COMPONENTS

## 1 11/16" Cable Head Assy (Clamp Ring)

Ref.	Part No.	Description
1	AS6-0036*	1 11/16" Cable Head Complete Assy (Clamp ring)
2	1.437-0011	Rope Socket Body for 5/32" Line
3	HOO-0346	3/8 - 24 x 5/16" Socket Set Screw
4	1.437-0083	Clamp Ring for 15/32" Rope Socket Body
5	1.687-0125	1 3/8" Cable Head Body
	1.437-0001	1 11/16" Cable Head Body
6	1.687-0155	1 11/16" Tear Drop Sub Body
7	000-0211	O-Rings: C-67 211
8	AS6-0037	1 11/16" Tear Drop Assy (Includes items 6, 7, 8, 9, 11, 12, 14 & 15)
9	EXP-015	1 11/16" Rope Socket Tool

\*Specify line size when ordering.



**APPLIED  
ELECTRONIC  
SYSTEMS**

a **Sondex** company  
[www.aesla.com](http://www.aesla.com)

CH0-9

# CENTRALIZERS SPECIFICATIONS

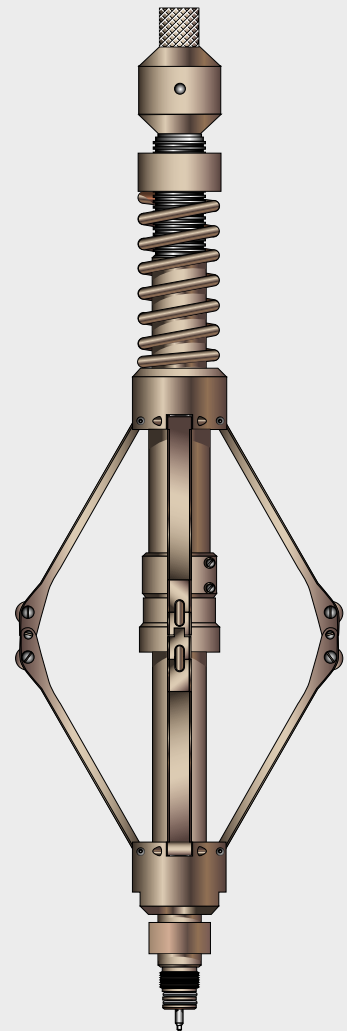


## CENTRALIZERS

### CENTRALIZERS

AES has a wide range of centralizers

Parameters	Imperial	Metric
OD Size:	1-7/16" – 2-3/4"	36.5 mm - 69.9 mm
Weight:	—	—
Temperature:	500°F	260°C
Pressure:	21,000psi	144 MPa
Type:	Spring and Roller Centralizers	



**APPLIED  
ELECTRONIC  
SYSTEMS**

a **Sondex** company

[www.aesla.com](http://www.aesla.com)

CEN0-1

# CENTRALIZER PRODUCT RANGES

Part No.	Description	Page
----------	-------------	------

## 1 7/16"

AS5-0023*	1 7/16" Spring Centralizer	CEN0-3
-----------	----------------------------	--------

## 1 11/16"

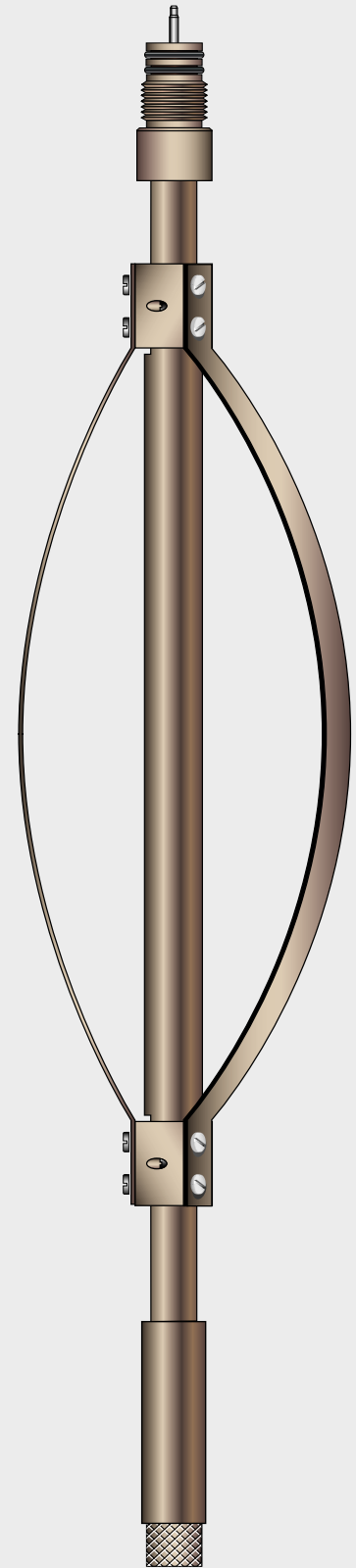
AS6-0066*	1 11/16" Spring Centralizer	CEN0-3
AS6-0091	1 11/16" Roller Centralizer	CEN0-4

## 2 3/4"

AS9-0050	2 3/4" Spring Centralizer	CEN0-5
AS9-0050RA	2 3/4" Roller Centralizer	CEN0-6

NOTE: Thread size on centralizer range is 1 3/16"-12 UN 2A and 2B.

\*Available with 6 1/4", 9 1/2" and 13 1/4" bow springs.



**APPLIED  
ELECTRONIC  
SYSTEMS**

a **Sondex** company  
[www.aesla.com](http://www.aesla.com)

CEN0-2

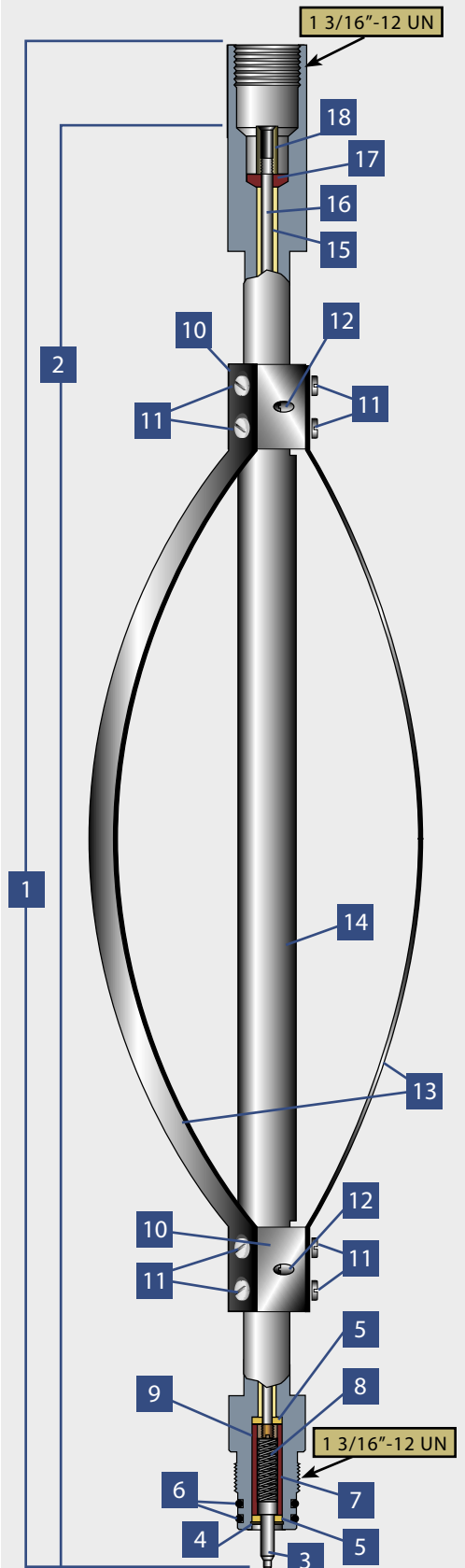
# CENTRALIZER COMPONENTS

## 1 7/16"-1 11/16" Spring Centralizer

Ref.	Part No.	Description
1	AS5-0023	1 7/16" Contact Centralizer Assy
	AS6-0066	1 11/16" Contact Centralizer Assy
2	KIT-5-0023	Complete Kit Assy *
3	1.-0033	Contact Plunger
4	HOO-0065	Retainer Ring
5	1.-0041	Insulating Washer
6	000-0211	O-Rings: 211
7	1.-0042	Contact Insulator
8	1.-0037	Contact Spring
9	1.375-0081	10-32 Spacer Contact
10	1.375-0213	1 7/16" Split Collar (3 sided)
	1.687-0330	1 11/16" Split Collar (6 sided)
11	HOO-0154	8-32 x 1/4" Pan Head Screw
12	HOO-0147	6-32 x 1/4" Socket Head Cap Screw
13	OMF-0006	Bow Spring (13 1/4" Max. Diameter)**
	OMF-0007	Bow Spring (9 1/2" Max. Diameter)**
	OMF-0008	Bow Spring (6 1/4" Max. Diameter)**
14	1.375-0212	1 7/16" Centralizer Mandrel
	1.687-0263	1 11/16" Centralizer Mandrel
15	BOO-0032	Insulating Sleeve
16	1.375-0458	Contact Rod
17	1.-0086	Beveled Insulating Washer
18	1.-0087A	10-32 Contact Receptacle

\*Does not include O-Rings.

\*\* (3) Springs required on 1 7/16"; (6) Springs required on 1 11/16"



**APPLIED  
ELECTRONIC  
SYSTEMS**

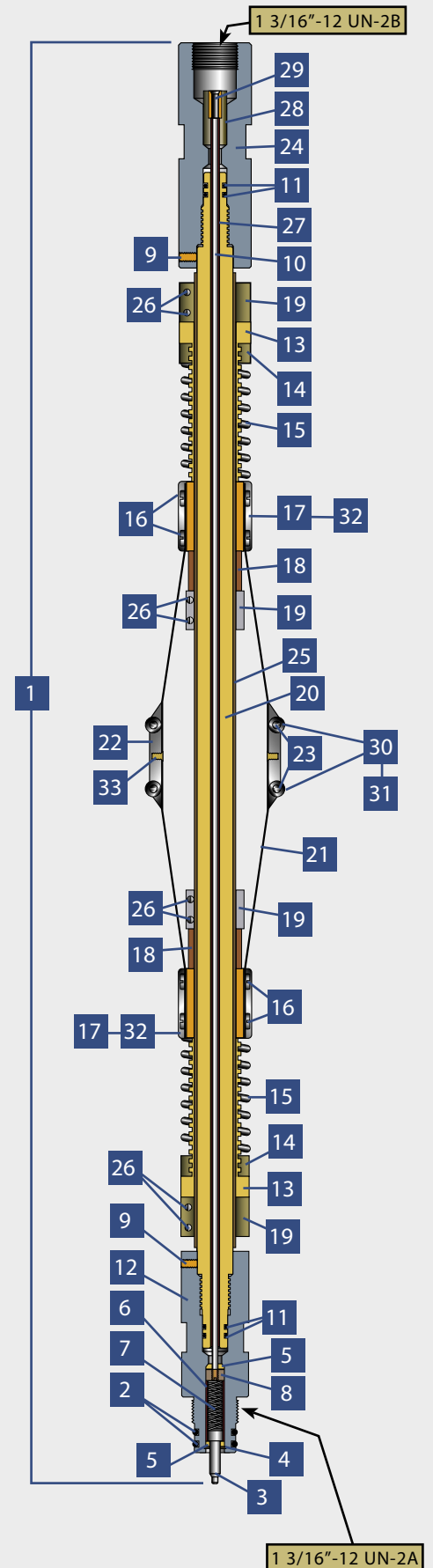
a **Sondex** company  
[www.aesla.com](http://www.aesla.com)

CEN0-3

# CENTRALIZER COMPONENTS

## 1 11/16" Roller Centralizer

Ref.	Part No.	Description
1	AS6-0091	1 11/16" Roller Centralizer
2	000-0211	O-Rings: 211
3	1.0033	Contact Plunger
4	HOO-0065	Retainer Ring
5	1.0041	Insulating Washer
6	1.0042	Contact Insulator
7	1.0037	Contact Spring
8	1.375-0081	10-32 Spacer Contact
9	HOO-0113	1/4" - 20 x .375 Set Screw
10	CR10x3400	10-32 x 34 Contact Rod
11	000-0111	O-Rings: 111
12	4942	Upper Mandrel Sub
13	4854	Compression Sleeve
14	4855	Adjustment Nut
15	1.375-0055M	Compression Spring
16	HOO-0048	10-32 x .187 Button Head Screw
17	4859	Slip Collar Spring Mount
18	5022	Spacer Ring
19	4857	Locking Collar
20	4939	Mandrel for Roller Arm Centralizer
21	5021	Wheel Mount Spring
22	4847	Wheel Mount
23	4860	Wheel
24	4941	Bottom Mandrel Sub
25	5015	Sleeve
26	HOO-0148	6-32 x .500 Socket Head Cap Screw
27	BOO-0032	Teflon Insulating Sleeve
28	1.375-0029	Contact Insulator
29	1.375-0173	10-32 Spacer Contact
30	HOO-0040	8-32x 1/8" Set Screw
31	HOO-0499	Axle
32	4859A	Set Screw Guide (Not Shown)
33	H000155	8-32 x 1/4 Flat Head



**APPLIED  
ELECTRONIC  
SYSTEMS**

a **Sondex** company  
[www.aesla.com](http://www.aesla.com)

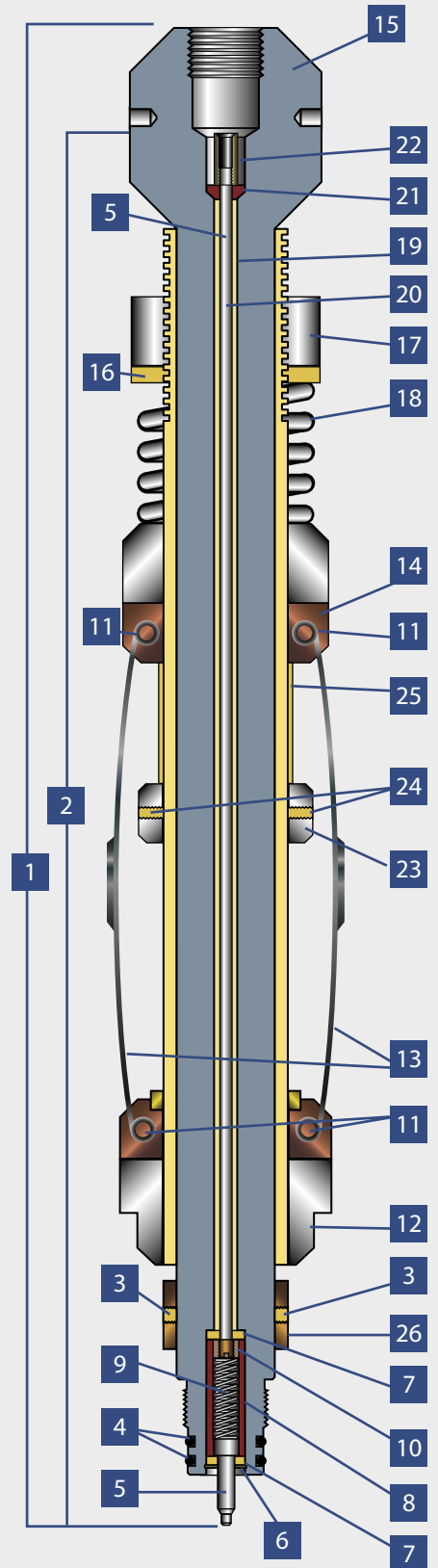
CEN0-4

# CENTRALIZER COMPONENTS

## 2 3/4" Spring Centralizer

Ref.	Part No.	Description
1	AS9-0050	2 3/4" Centralizer Assy
2	KIT-9-0050	Complete Kit Assy *
3	HOO-0305	3/8" Socket Set Screw
4	000-0211	O-Rings: 211
5	1.-0033	Contact Plunger
6	HOO-0065	Retainer Ring
7	1.-0041	Insulating Washer
8	1.-0042	Contact Insulator
9	1.-0037	Contact Spring
10	1.375-0081	Brass Spacer
11	HOO-0432	1 1/4" Spiral Roll Pin
12	3052	Rotating Sleeve
13	OMF-0014	Centralizer Spring
14	3053	Spring Collar
15	2853	Centralizer Mandrel
16	2863	1/4" Spacer
17	2862	Adjustment Nut
18	2845	Compressions Spring
19	BOO-0032	Teflon Sleeve
20	2931	10-32 Contact Rod
21	1.-0086	Beveled Insulator
22	1.-0087A	Brass Contact Receptacle
23	2860	Adjustment Collar
24	HOO-0301	1/4" Socket Set Screw
25	2861	Adjustment Sleeve
26	2864	Locking Ring

\*Does not include O-Rings.



**APPLIED  
ELECTRONIC  
SYSTEMS**

a **Sondex** company

[www.aesla.com](http://www.aesla.com)

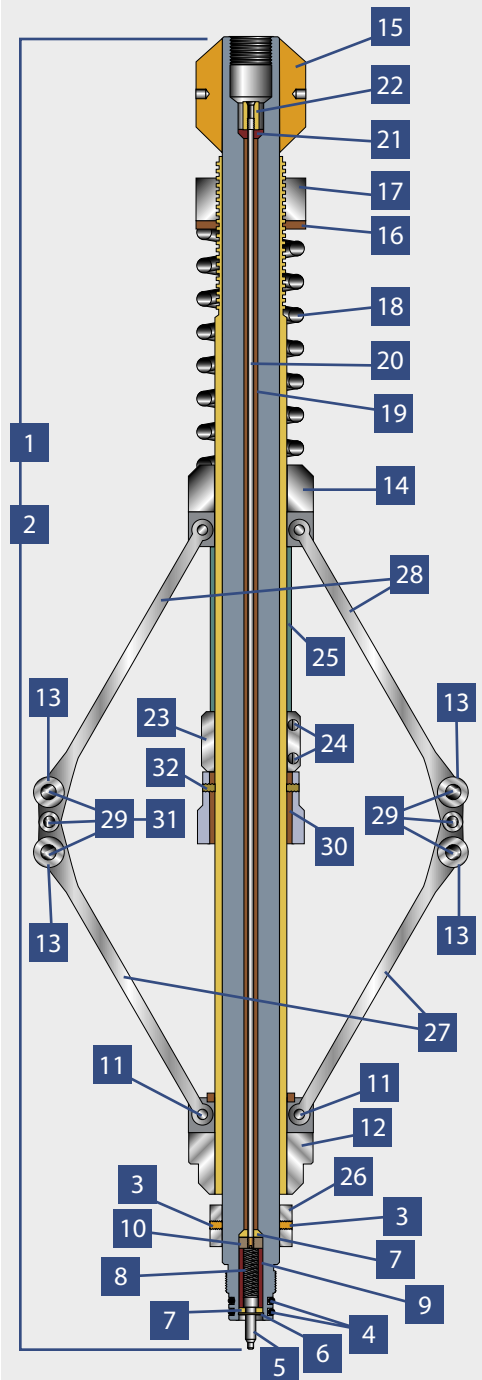
CEN0-5

# CENTRALIZER COMPONENTS

## 2 3/4" Roller Centralizer

Ref.	Part No.	Description
1	AS9-0050RA	1 11/16" Roller Centralizer
2	KIT-9-0050	Complete Kit Assy *
3	HOO-0305	3/8" Socket Set Screw
4	000-0211	O-Rings: 211
5	1.-0033	Contact Plunger
6	HOO-0065	Retainer Ring
7	1.-0041	Insulating Washer
8	1.-0042	Contact Insulator
9	1.-0037	Contact Spring
10	1.375-0081	Brass Spacer
11	HOO-0432	1 1/4" Spiral Roll Pin
12	3052	Rotating Sleeve
13	4624	Roller Centralizer Wheels
14	3053	Spring Collar
15	2853	Centralizer Mandrel
16	2863	1/4" Spacer
17	2862	Adjustment Nut
18	2845-1	Compression Spring
19	BOO-0032	Teflon® Insulating Sleeve
20	2831	10-32 Contact Rod
21	1.-0086	Beveled Insulator
22	1.-0087A	Brass Contact Receptacle
23	2860	Split Collar
24	HOO-0301	1/4" Socket Head Cap Screw
25	2861	Adjustment Sleeve
26	2864	Locking Ring
27	4602-L	Left Centralizer Arm
28	4602-R	Right Centralizer Arm
29	4617-2	Locking Screw/Axle
30	4964	Stopper
31	H000041	Set Screws
32	H000113	Set Screws

\*Does not include O-Rings.



**APPLIED  
ELECTRONIC  
SYSTEMS**

a **Sondex** company

[www.aesla.com](http://www.aesla.com)

CEN0-6

# DECENTRALIZER SPECIFICATIONS

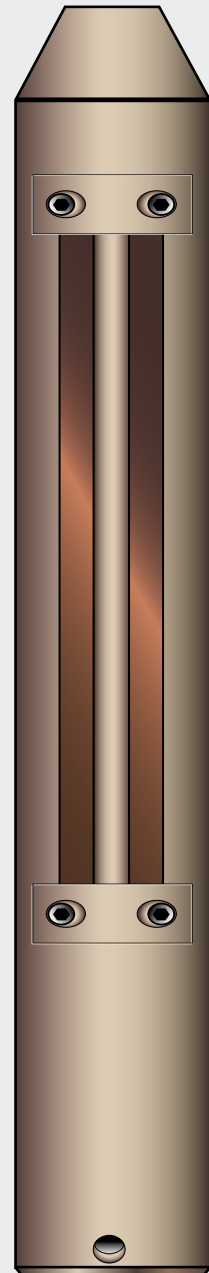


## DECENTRALIZERS

### DECENTRALIZERS

AES has magnetic and mechanical decentralizers available.

Parameters	Imperial	Metric
OD Size:	1 3/8" – 2"	34.9 mm - 50.8 mm
Weight:	—	—
Temperature:	500°F	260°C
Pressure:	21,000psi	144 MPa
Type:		



**APPLIED  
ELECTRONIC  
SYSTEMS**

a **Sondex** company  
[www.aesla.com](http://www.aesla.com)

# DECENTRALIZERS PRODUCT RANGES

Part No.	Description	Page
----------	-------------	------

## 1 3/8"

AS4-0073	1 3/8" Magnetic Decentralizer (Channel)	DEC0-3
AS4-0101	1 3/8" GO Pin to Double Sealed Tear Drop Magnetic Decentralizer (Channel)	DEC0-4

## 1 7/16"

AS5-0034	1 7/16" Mechanical Decentralizer	DEC0-5
AS5-0035	1 7/16" Mechanical Bottom Decentralizer	DEC0-6

## 1 9/16"

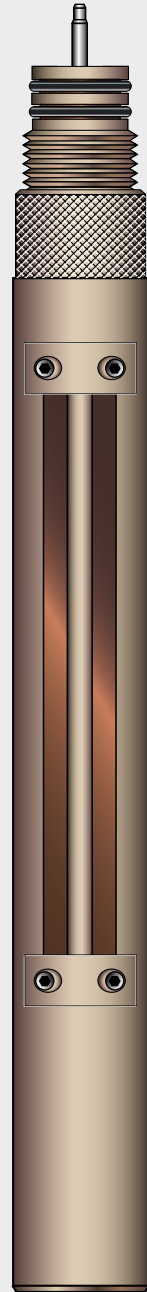
AS6-0067	1 9/16" Magnetic Decentralizer (Channel)	DEC0-10
AS6-0074	1 9/16" Bottom Decentralizer (Button)	DEC0-12
AS6-0057	1 9/16" Bottom Decentralizer (Channel)	DEC0-9
AS6-0049	1 9/16" Lower Decentralizer Adapter	DEC0-8

## 1 11/16"

AS6-0030	1 11/16" Magnetic Decentralizer (Channel)	DEC0-7
AS6-0072	1 11/16" Magnetic Decentralizer (Button)	DEC0-11
AS6-0061	1 11/16" Bottom Decentralizer (Channel)	DEC0-9
AS6-0082	1 11/16" GO Box to Double Sealed Tear Drop Magnetic Decentralizer (Channel)	DEC0-13

## 2"

AS9-0003	2" Magnetic Decentralizer (Channel)	DEC0-14
AS9-0045	2" Magnetic Decentralizer (Button)	DEC0-15
AS9-0043	2" Bottom Decentralizer (Channel)	DEC0-9
AS9-0047	2" Bottom Decentralizer (Button)	DEC0-16



**APPLIED  
ELECTRONIC  
SYSTEMS**

a **Sondex** company

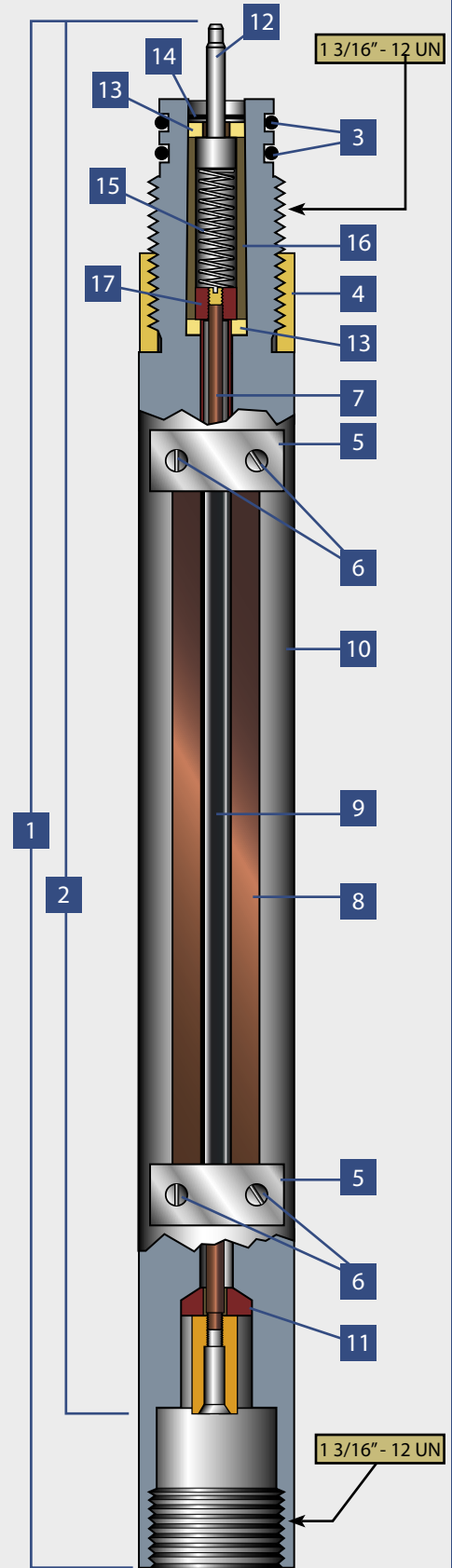
[www.aesla.com](http://www.aesla.com)

# DECENTRALIZERS COMPONENTS

## 1 3/8" Magnetic Decentralizer Channel Type Magnet

Ref.	Part No.	Description
1	AS4-0073	1 3/8" Magnetic Decentralizer Complete Assy
2	KIT-4-0073	Contact Kit Assy *
3	000-0211	O-Rings: 211
4	1.375-0333	Adjustment Ring
5	1.375-0273	Magnet Clamp
6	H00-0261	10-32 x 3/8" Button Head Socket Set Screw
7	1.375-0459	10-32 Contact Rod
8	H00-0277	Magnet
9	1.375-0471	Channel Magnet Clamp Rod
10	1.375-0274	1 3/8" Decentralizer Body
11	1.0086	Beveled Insulator
12	1.0033	Contact Plunger
13	1.0041	Insulating Washer
14	H00-0065	Retainer Ring
15	1.0037	Contact Spring
16	1.0042	Contact Insulator
17	1.375-0081	10-32 Contact
18	1.0087A	10-32 Contact Receptacle

\*Does not include O-Rings.



**APPLIED  
ELECTRONIC  
SYSTEMS**

a **Sondex** company  
[www.aesla.com](http://www.aesla.com)

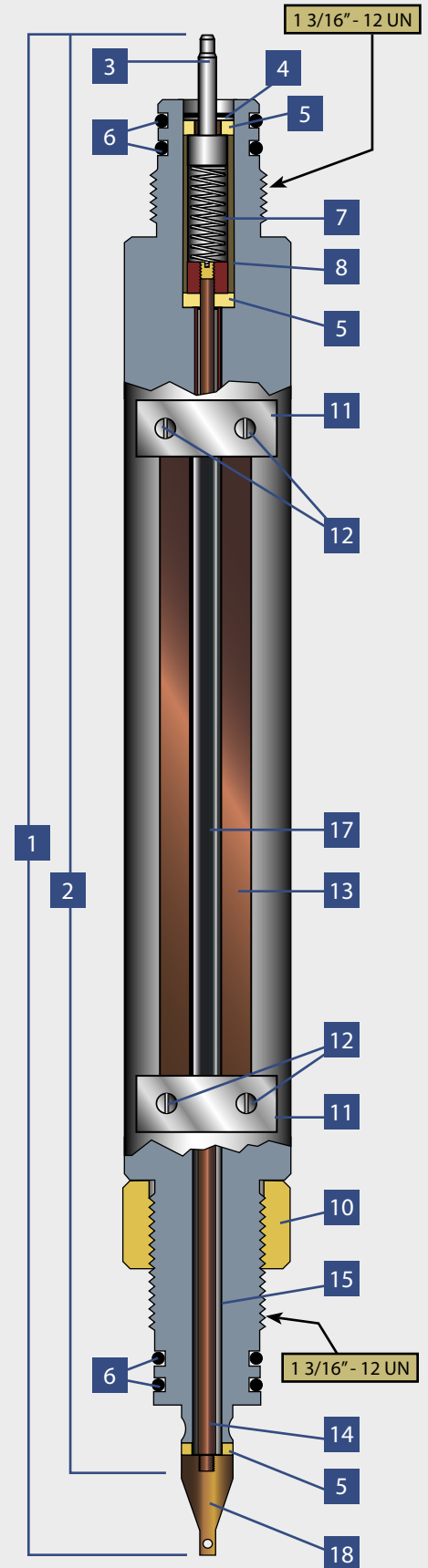
DEC0-3

# DECENTRALIZERS COMPONENTS

## 1 3/8" GO Pin to Double Sealed Tear Drop Decentralizer Channel Type Magnet

Ref.	Part No.	Description
1	AS4-0101	1 3/8" GO Pin to Double Sealed Tear Drop Decentralizer
2	KIT-4-0101	Contact Kit Assy *
3	1.-0033	Contact Plunger
4	HOO-0065	Retainer Ring
5	1.-0041	Insulating Washer
6	000-0211	O-Rings: 211
7	1.-0037	Contact Rod
8	1.-0042	Contact Insulator
9	1.375-0081	10-32 Contact Receptacle
10	1.375-0333	Adjustment Ring
11	1.375-0273	Magnet Clamp
12	HOO-0261	10-32 x 3/8" Button Head Socket Set Screw
13	HOO-0277	Magnet
14	1.687-0390	Contact Rod
15	BOO-0032	Insulating Sleeve
16	1.375-0513	1 3/8" Decentralizer Body
17	1.375-0471	Channel Magnet Clamp Rod
18	1.375-0030	10-32 Cone Receptacle

\*Does not include O-Rings.



**APPLIED  
ELECTRONIC  
SYSTEMS**

a **Sondex** company  
[www.aesla.com](http://www.aesla.com)

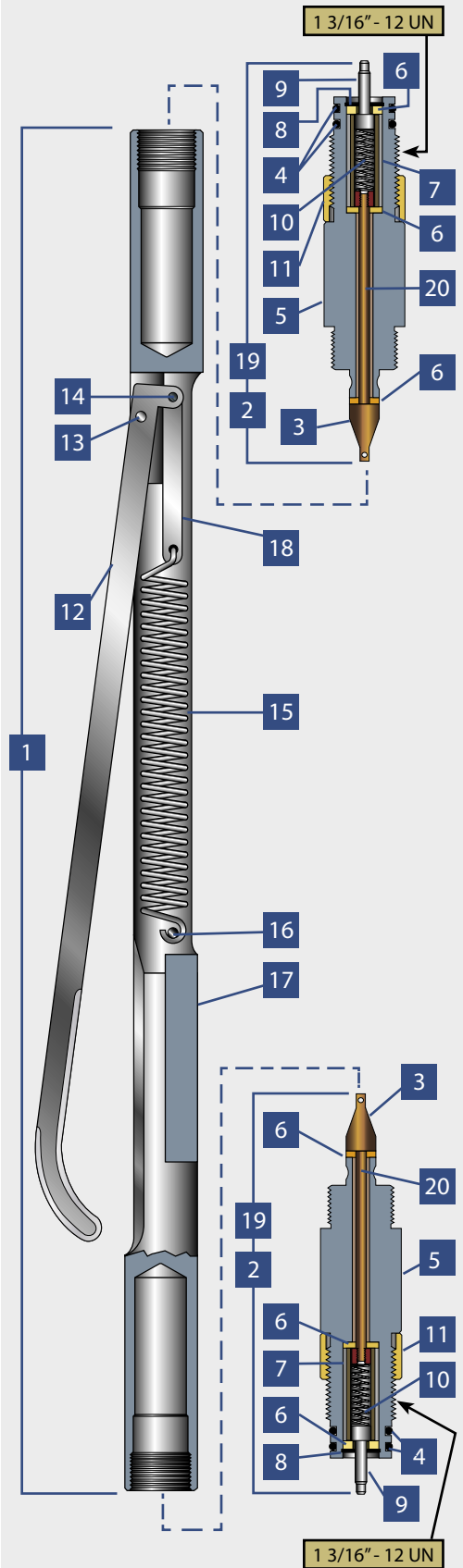
DEC0-4

# DECENTRALIZERS COMPONENTS

## 1 7/16" Mechanical Decentralizer

Ref.	Part No.	Description
1	AS5-0034	1 7/16" Mechanical Decentralizer Assy
2	AS5-0037	1 7/16" Tear Drop / GO Pin
3	1.375-0030	10-32 Cone Nut
4	000-0211	O-Rings: 211
5	1.437-0119	Contact Sub Body
6	1.-0041	Insulating Washer
7	1.-0042	Contact Insulator
8	HOO-0065	Retainer Ring
9	1.-0033	Contact Plunger
10	1.-0037	Contact Spring
11	1.437-0080	1 7/16" Adjustment Ring
12	3670	Kick-over Tool Arm
13	HOO-0133	Roll Pin, 3/16" x 1" Spiral
14	HOO-0434	1/8" x 3/8" Roll Pin
15	OMF-0012	Spring 1 7/16" Mechanical Decentralizer
16	HOO-0355	Roll Pin, 3/16" x 1 1/2" S/S
17	3262	1 7/16" Mechanical Decentralizer Double Box
18	3643	Connecting Arm
19	KIT-5-0037	Contact Kit Assy *
20	1.375-0537	10-32 Contact Rod x 3.500"

\*Does not include O-Rings.



**APPLIED  
ELECTRONIC  
SYSTEMS**

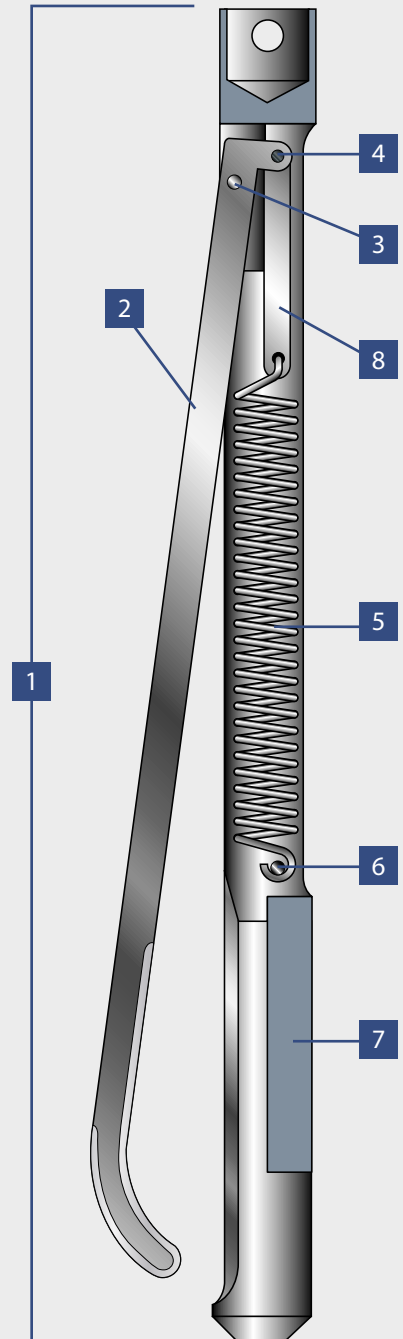
a **Sondex** company  
www.aesla.com

DEC0-5

# DECENTRALIZERS COMPONENTS

## 1 7/16" Mechanical Decentralizer Bottom

Ref.	Part No.	Description
1	AS5-0035	1 7/16" Mechanical Decentralizer Bottom Assy
2	3670	Kick-over Tool Arm
3	HOO-0133	Roll Pin, 3/16" x 1" Spiral
4	HOO-0434	1/8" x 3/8" Roll Pin
5	OMF-0012	Spring 1 7/16" Mechanical Decentralizer
6	HOO-0355	Roll Pin, 3/16" x 1 1/2" S/S
7	1.437-0120	1 7/16" Kick-over Tool Housing
8	3643	Connecting Arm



**APPLIED  
ELECTRONIC  
SYSTEMS**

a **Sondex** company  
[www.aesla.com](http://www.aesla.com)

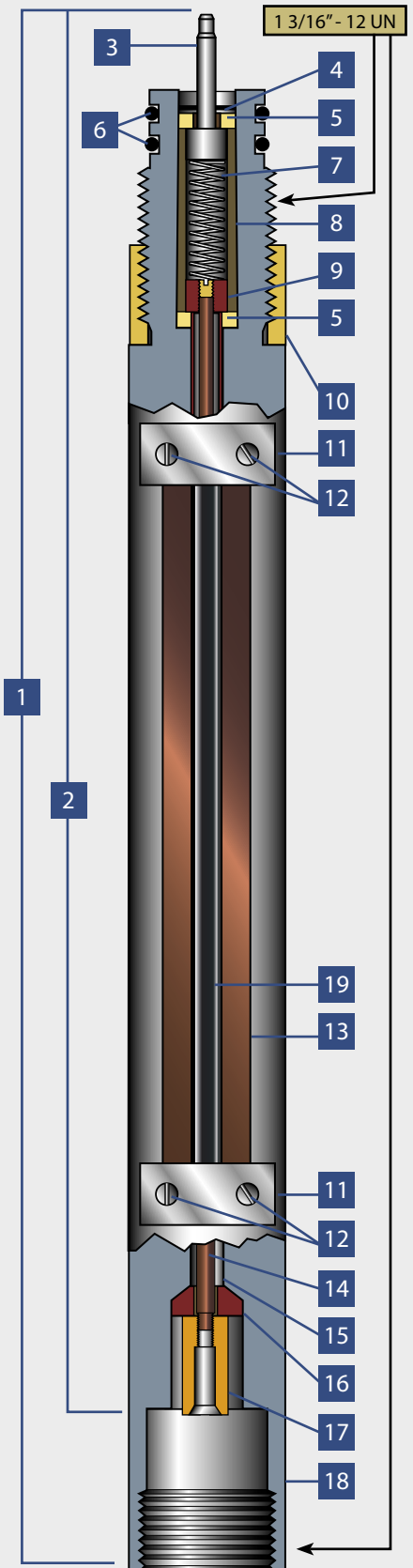
DECO-6

# DECENTRALIZERS COMPONENTS

## 1 11/16" Magnetic Decentralizer Channel Type Magnet

Ref.	Part No.	Description
1	AS6-0030	1 11/16" Magnetic Decentralizer Assy
2	KIT-6-0030	Contact Kit Assy *
3	1.-0033	Contact Plunger
4	HOO-0065	Retainer Ring
5	1.-0041	Insulating Washer
6	000-0211	O-Rings: 211
7	1.-0037	Contact Spring
8	1.-0042	Contact Insulator
9	1.375-0081	10-32 Contact
10	1.687-0124	Adjustment Ring
11	1.687-0077	Magnet Clamp
12	HOO-0117	10-32 x 1/2" Button Head Socket Set Screw
13	HOO-0259	Magnet
14	1.375-0459	Contact Rod
15	BOO-0032	Insulating Sleeve
16	1.-0086	Beveled Insulating Washer
17	1.-0087A	10-32 Contact Receptacle
18	1.687-0102	1 11/16" Decentralizer Body
19	1.375-0471	Channel Magnet Clamp Rod

\*Does not include O-Rings.



**APPLIED  
ELECTRONIC  
SYSTEMS**

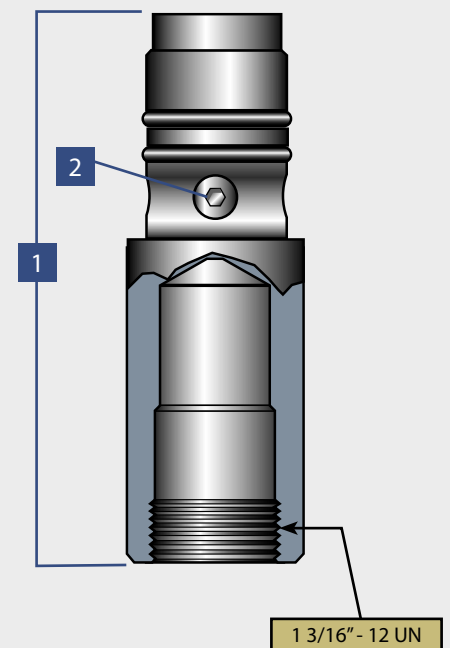
a **Sondex** company  
[www.aesla.com](http://www.aesla.com)

DEC0-7

# DECENTRALIZERS COMPONENTS

## 1 9/16" RTG Pin To Go Box Adapter

Ref.	Part No.	Description
1	AS6-0049	1 9/16" Lower Decentralizer Adapter
2	H00-0273	1/4-20 x 1/4" Socket Head Cap Screw



**APPLIED  
ELECTRONIC  
SYSTEMS**

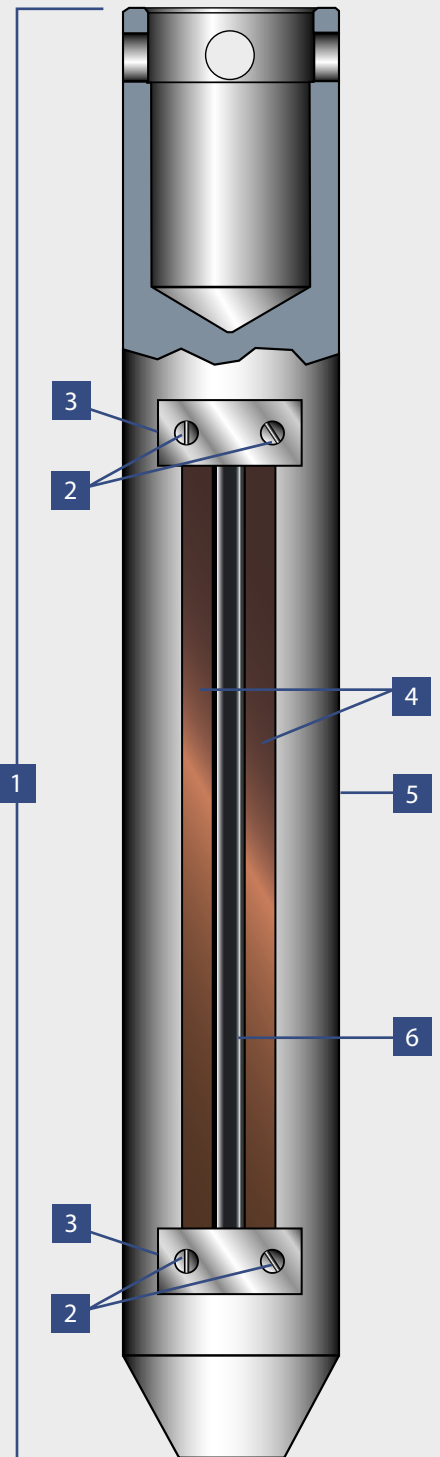
a **Sondex** company  
[www.aesla.com](http://www.aesla.com)

DEC0-8

# DECENTRALIZERS COMPONENTS

## 1 9/16", 1 11/16" & 2" RTG Bottom Decentralizer Channel Type Magnet

Ref.	Part No.	Description
1	AS6-0057	1 9/16" Bottom Decentralizer Complete Assy.
	AS6-0061	1 11/16" Bottom Decentralizer Complete Assy.
	AS9-0043	2" Bottom Decentralizer Complete Assy.
2	HOO-0117	10-32 x 1/2" Button Head Socket Screw
3	1.687-0077	1 9/16" or 1 11/16" Magnet Clamps
	2.-0012	2" Magnet Clamps
4	HOO-0259	Channel Magnets
5	1.562-0011	1 9/16" Decentralizer Body
	1.687-0235	1 11/16" Decentralizer Body
	2.-0094	2" Decentralizer Body
6	1.375-0471	Channel Magnet Clamp Rod



**APPLIED  
ELECTRONIC  
SYSTEMS**

a **Sondex** company  
[www.aesla.com](http://www.aesla.com)

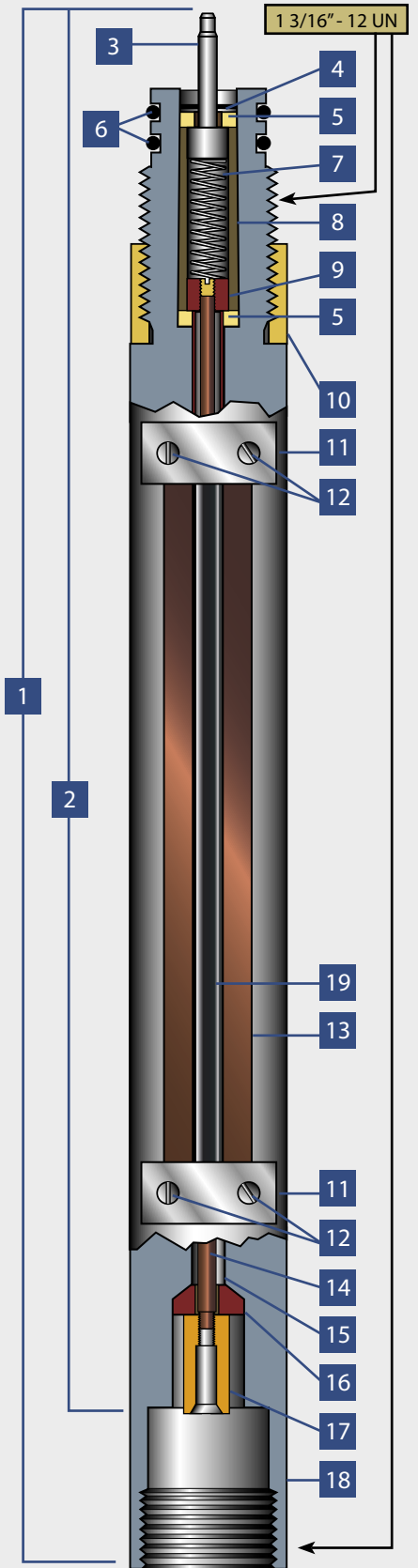
DEC0-9

# DECENTRALIZERS COMPONENTS

## 1 9/16" Magnetic Decentralizer Channel Type Magnet

Ref.	Part No.	Description
1	AS6-0067	1 9/16" Magnetic Decentralizer Assy
2	KIT-6-0067	Contact Kit Assy *
3	1.-0033	Contact Plunger
4	HOO-0065	Retainer Ring
5	1.-0041	Insulating Washer
6	000-0211	O-Rings: 211
7	1.-0037	Contact Spring
8	1.-0042	Contact Insulator
9	1.375-0081	10-32 Contact
10	1.437-0080	Adjustment Ring
11	1.687-0077	Magnet Clamp
12	HOO-0117	10-32 x 1/2" Button Head Socket Set Screw
13	HOO-0259	Magnet
14	1.375-0459	Contact Rod
15	BOO-0032	Insulating Sleeve
16	1.-0086	Beveled Insulating Washer
17	1.-0087A	10-32 Contact Receptacle
18	1.562-0017	1 9/16" Decentralizer Body
19	1.375-0471	Channel Magnet Clamp Rod

\*Does not include O-Rings.



**APPLIED  
ELECTRONIC  
SYSTEMS**

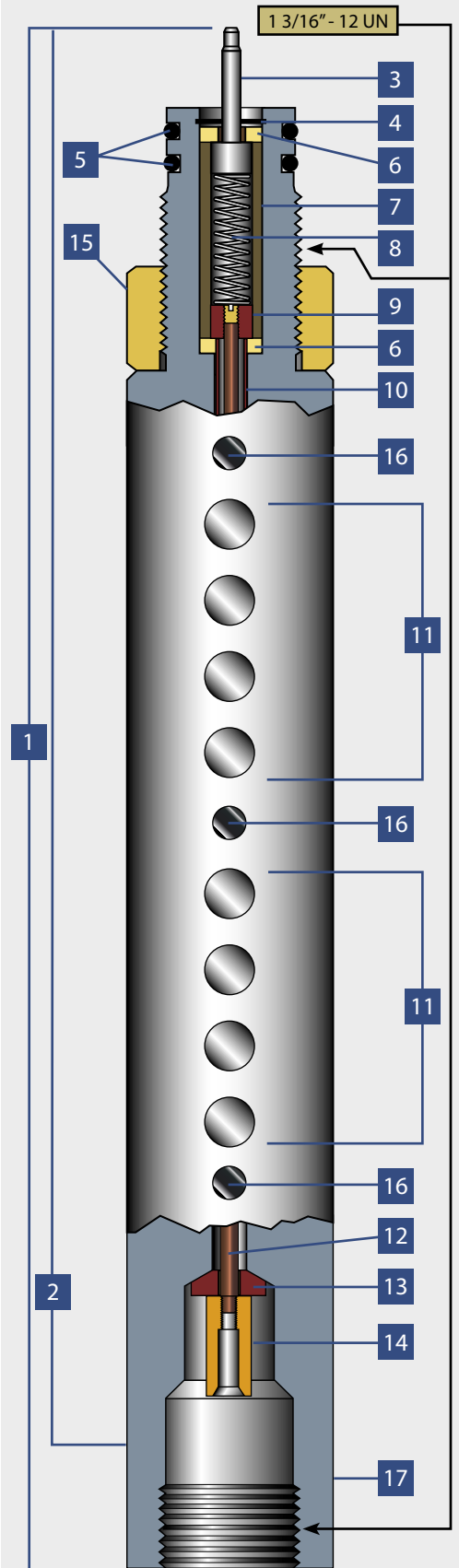
a **Sondex** company  
[www.aesla.com](http://www.aesla.com)

DEC0-10

# DECENTRALIZERS COMPONENTS

## 1 11/16" Magnetic Decentralizer Button Type Magnet

Ref.	Part No.	Description
1	AS6-0072	1 11/16" Decentralizer
2	Kit-6-0072	Contact Assy
3	1.-0086	Beveled Insulating Washer
4	1.-0087A	10-32 Contact Receptacle
5	BOO-0032	Insulating Sleeve
6	2.-0105	10-32 Contact Rod
7	HOO-0317	Carbide Pads
8	HOO-0279	Decentralizer Magnets
9	1.375-0081	10-32 Contact Receptacle
10	000-0211	O-Rings: 211
11	1.-0033	Contact Plunger
12	HOO-0065	Retainer Ring
13	1.-0041	Insulating Washer
14	1.-0037	Contact Spring
15	1.-0042	Contact Insulator
16	1.687-0366-1	Locking Collar
17	1.687-0366	Contact Sub Body



**APPLIED  
ELECTRONIC  
SYSTEMS**

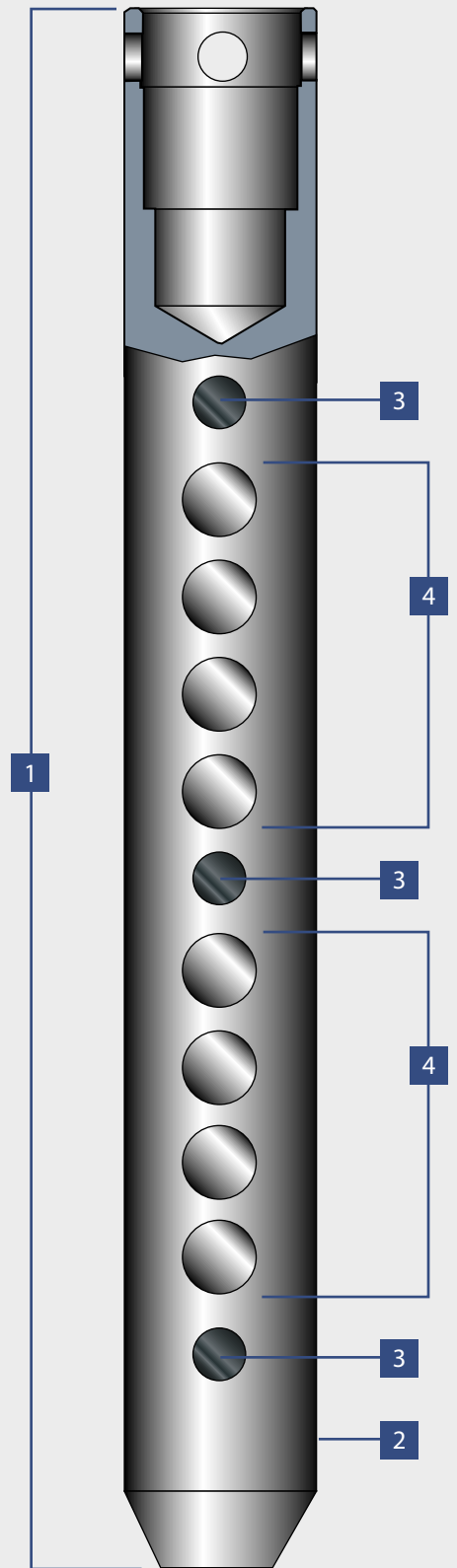
a **Sondex** company  
[www.aesla.com](http://www.aesla.com)

DEC0-11

# DECENTRALIZERS COMPONENTS

## 1 9/16" Bottom Decentralizer Button Type Magnet

Ref.	Part No.	Description
1	AS6-0074	1 9/16" Bottom Decentralizer
2	1.562-0019	Contact Sub Body
3	HOO-0317	Carbide Pads
4	HOO-0279	Decentralizer Magnets



**APPLIED  
ELECTRONIC  
SYSTEMS**

a **Sondex** company  
[www.aesla.com](http://www.aesla.com)

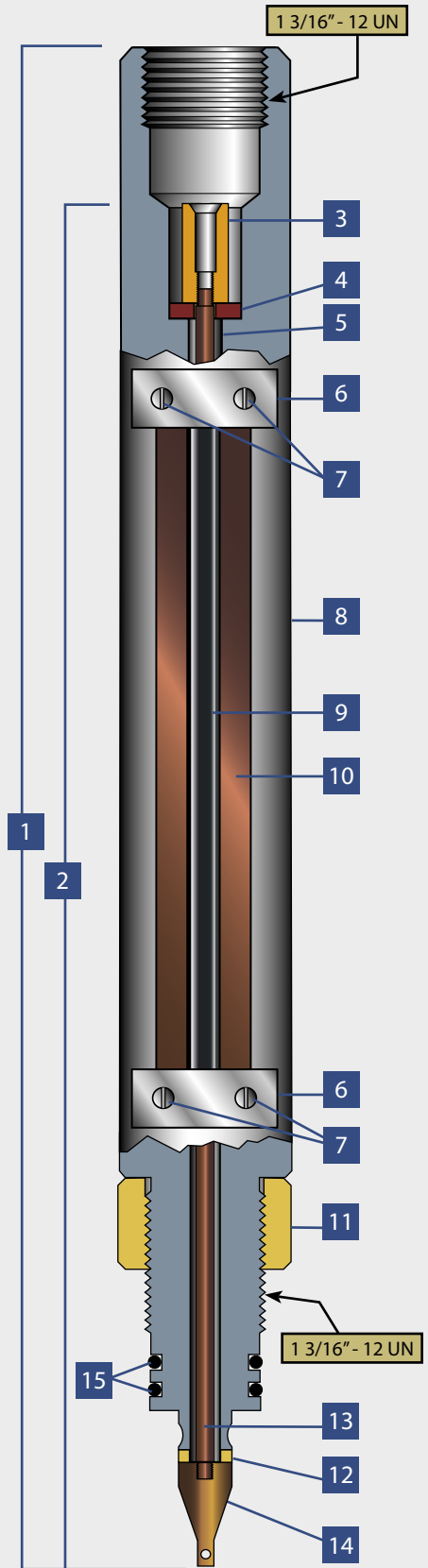
DEC0-12

# DECENTRALIZERS COMPONENTS

## 1 11/16" GO Box to Double Sealed Tear Drop Decentralizer Channel Type Magnet

Ref.	Part No.	Description
1	AS6-0082	1 11/16" GO Box to Double Sealed Tear Drop Decent.
2	KIT-6-0082	Contact Kit Assy *
3	1.-0087A	Contact Receptacle
4	1.-0086	Beveled Insulating Washer
5	BOO-0032	Insulating Sleeve
6	1.687-0077	Magnet Clamp
7	HOO-0117	10-32 x 1/2" Button Head Socket Set Screw
8	1.687-0387	1 11/16" Decentralizer Body
9	1.3765-0471	Channel Magnet Clamp Rod
10	HOO-0259	Magnet
11	1.687-0124	Adjustment Ring
12	1.-0041	Insulating Wahser
13	3.250111	Contact Rod
14	1.375-0030	10-32 Cone Receptacle
15	000-0211	O-Rings: 211

\*Does not include O-Rings.



**APPLIED  
ELECTRONIC  
SYSTEMS**

a **Sondex** company  
[www.aesla.com](http://www.aesla.com)

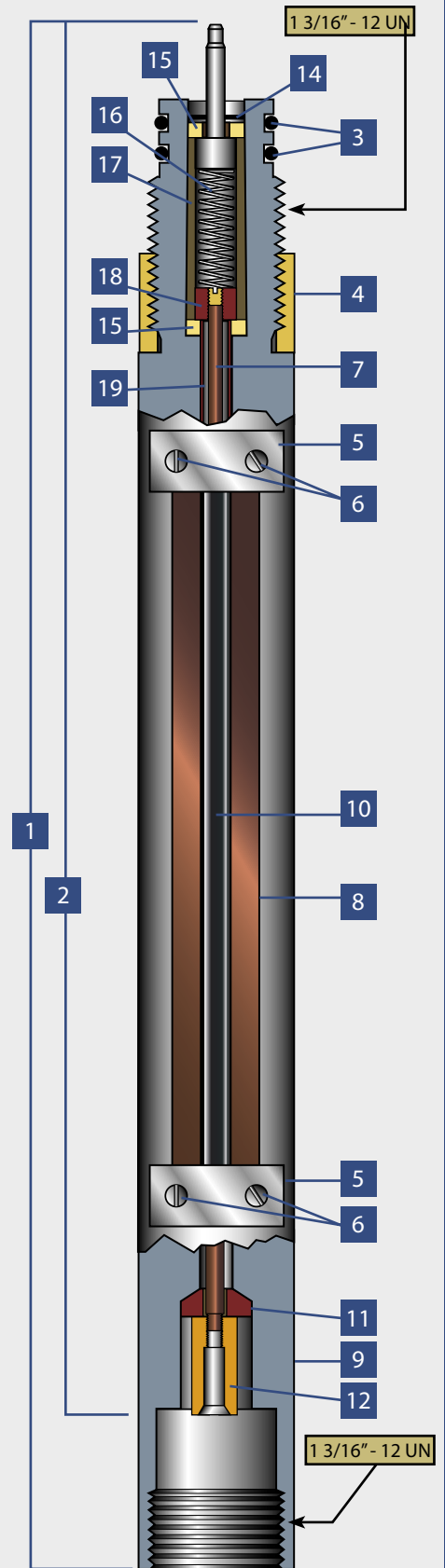
DEC0-13

# DECENTRALIZERS COMPONENTS

## 2" Magnetic Decentralizer Channel Type Magnet

Ref.	Part No.	Description
1	AS9-0003	2" Magnetic Decentralizer Complete Assy
2	KIT-9-0003	Contact Kit Assy *
3	000-0211	O-Rings: 211
4	2.-0029	Adjustment Ring
5	2.-0012	Magnet Clamp
6	H00-0117	10-32 x 1/2" Button Head Socket Set Screw
7	1.375-0459	Contact Rod
8	H00-0259	Magnet
9	2.-0030	2" Decentralizer Body
10	1.375-0471	Channel Magnet Clamp Rod
11	1.0086	Beveled Insulator
12	1.0087A	Brass Receptacle
13	1.0033	Contact Plunger
14	H00-0065	Retainer Ring
15	1.0041	Insulating Washer
16	1.0037	Contact Spring
17	1.0042	Contact Insulator
18	1.375-0081	10-32 Contact Receptacle
19	B00-0032	Insulating Sleeve

\*Does not include O-Rings.



**APPLIED  
ELECTRONIC  
SYSTEMS**

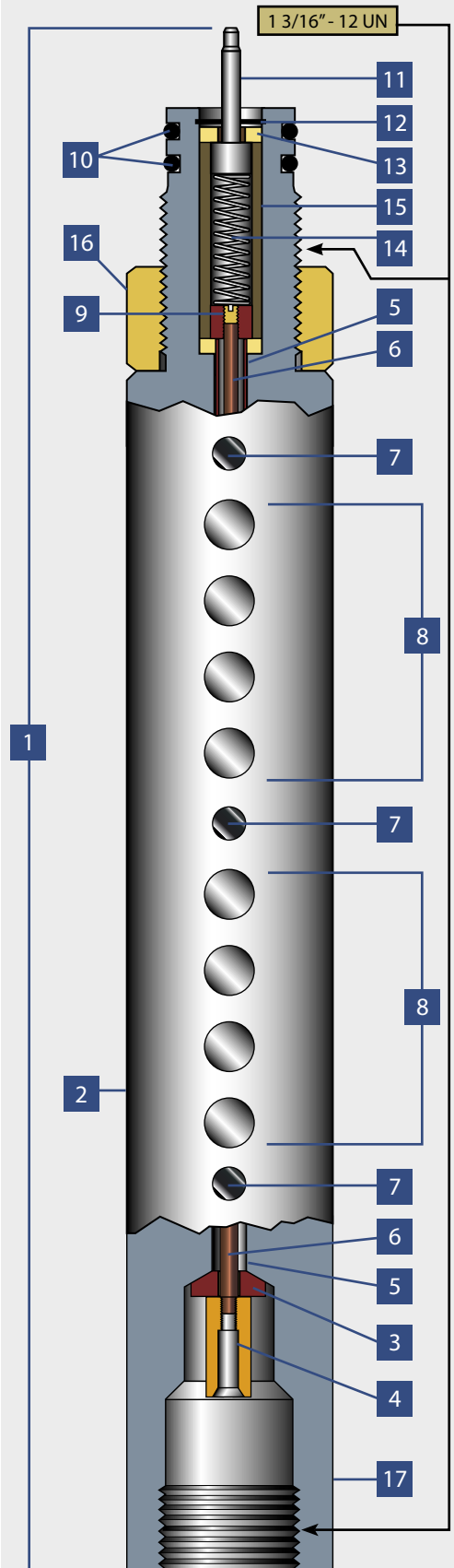
a **Sondex** company  
[www.aesla.com](http://www.aesla.com)

DEC0-14

# DECENTRALIZERS COMPONENTS

## 2" Magnetic Decentralizer Button Type Magnet

Ref.	Part No.	Description
1	AS9-0045	2" Decentralizer
2	2.-0102	Contact Sub Body
3	1.-0086	Beveled Insulating Washer
4	1.-0087A	10-32 Contact Receptacle
5	BOO-0032	Insulating Sleeve
6	2.-0105	10-32 Contact Rod
7	HOO-0317	Carbide Pads
8	HOO-0279	Decentralizer Magnets
9	1.375-0081	10-32 Contact Receptacle
10	000-0211	O-Rings: 211
11	1.-0033	Contact Plunger
12	HOO-0065	Retainer Ring
13	1.-0041	Insulating Washer
14	1.-0037	Contact Spring
15	1.-0042	Contact Insulator
16	2.-0102-1	Locking Collar



**APPLIED  
ELECTRONIC  
SYSTEMS**

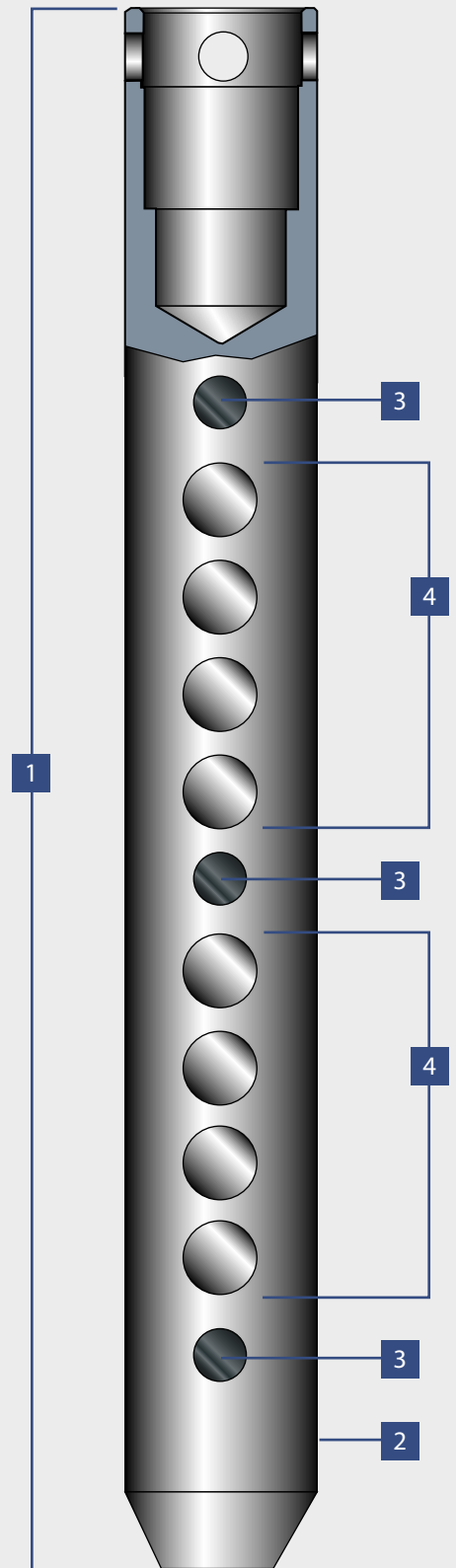
a **Sondex** company  
[www.aesla.com](http://www.aesla.com)

DEC0-15

# DECENTRALIZERS COMPONENTS

## 2" Bottom Decentralizer Button Type Magnet

Ref.	Part No.	Description
1	AS9-0047	2" Bottom Decentralizer
2	2.0108	Contact Sub Body
3	HOO-0317	Carbide Pads
4	HOO-0279	Decentralizer Magnets



**APPLIED  
ELECTRONIC  
SYSTEMS**

a **Sondex** company  
[www.aesla.com](http://www.aesla.com)

DEC0-16

# ADAPTOR SPECIFICATIONS

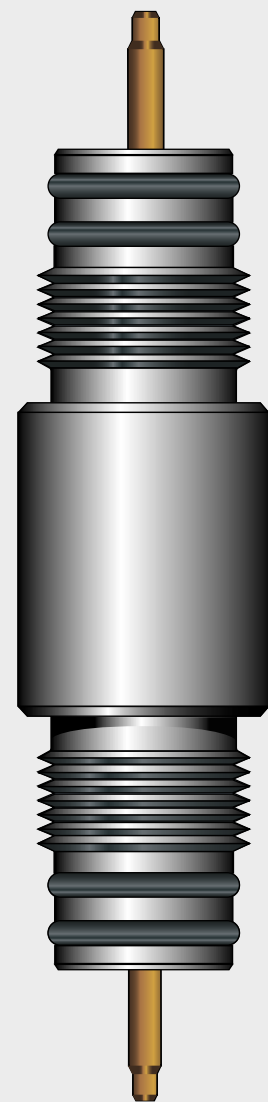


## ADAPTORS

### ADAPTORS

Adaptor threads can be manufactured to your specifications.

Parameters	Imperial	Metric
OD Size:	5/8" – 3-1/4"	15.9 mm - 82.6 mm
Weight:	—	—
Temperature:	500°F	260°C
Pressure:	21,000psi	144 MPa
Type:		



**APPLIED  
ELECTRONIC  
SYSTEMS**

a **Sondex** company

[www.aesla.com](http://www.aesla.com)

ADA0-1

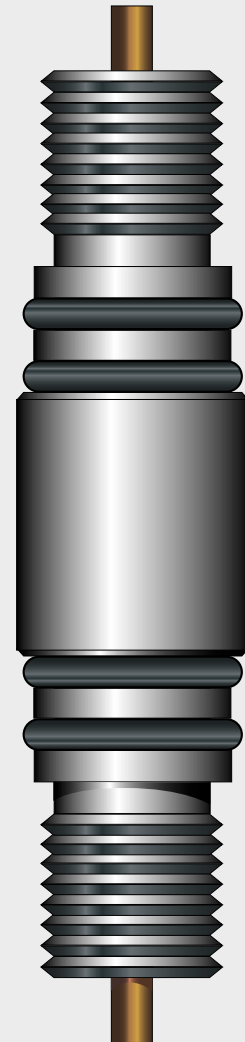
# ADAPTOR PRODUCT RANGES

Part No.	Description	Page
<b>5/8"</b>		
AS0-0001	Tear Drop Sub	ADA0-6
AS0-0007	Tear Drop W/ Pressure Connector	ADA0-6
AS0-0008	Pin to 23/32" JRC Cutter Assy	ADA0-7
AS0-0009	Double Box Sub	ADA0-8
AS0-0011	Pipe Recovery Systems Chemical Cutter to 5/8" AES Tear Drop	ADA0-9
AS0-0012	Pipe Recovery Systems Chemical Cutter to Pressure Connector	ADA0-9
AS0-0014	Double Pin Assy	ADA0-8
AS0-0015	Pipe Recovery Systems Chemical Cutter to 5/8" AES Pin	ADA0-9
AS0-0019	Resistor Sub Assy	ADA0-10

<b>11/16"</b>		
AS1-0014	Tear Drop Sub Assy	ADA0-11

<b>3/4"</b>		
AS1-0007	GO Pin to 11/16" AES Box Assy	ADA0-12
AS1-0008	GO Pin to 11/16" AES Pin Assy	ADA0-13
AS1-0009	GO Pin to 11/16" AES Pin Assy	ADA0-12
AS2-0001	AES Pin to 3/4" Pipe Recovery Systems Chemical Cutter	ADA0-19
AS2-0002	Tear Drop Sub	ADA0-15
AS2-0006	Double GO Pin Assy	ADA0-16
AS2-0008	Double GO Box Assy	ADA0-16
AS2-0011	GO Pin to 3/4" Pipe Recovery Systems Chemical Cutter	ADA0-17
AS2-0012	Teardrop to 3/4" Pipe Recovery Systems Chemical Cutter	ADA0-18
AS2-0013	GO Box to 3/4" Pipe Recovery Systems Chemical Cutter	ADA0-18
AS2-0014	AES Tear Drop to 11/16" AES Pin	ADA0-15
AS2-0016	GOEX Severing Tool Tear Drop to 11/16" AES Pin	ADA0-14

Continued Next Page



**APPLIED  
ELECTRONIC  
SYSTEMS**

a **Sondex** company  
[www.aesla.com](http://www.aesla.com)

# ADAPTORS PRODUCT RANGES

Part No. Description Page

## 1"

AS0-0010	AES Pin to 1" GO Box Assy	ADA0-27
AS3-0034	AES Box to 1" GO Pin Assy	ADA0-27
AS3-0001	Tear Drop to 1" GO Pin Assy	ADA0-20
AS3-0005	GO Double Pin Assy	ADA0-21
AS3-0006	GO Bull Plug Assy	ADA0-22
AS3-0007	GO Firing Sub Assy	ADA0-23
AS3-0018	GO Double Box Assy	ADA0-21
AS3-0019	Sucker Rod Box to 1" GO Box	ADA0-26
AS3-0020	Sucker Rod Pin to 1" GO Box	ADA0-26
AS3-0021	Sucker Rod Box to 1" GO Pin Assy	ADA0-26
AS3-0022	AES Combination Diode Sub Assy	ADA0-24
AS3-0026	Sucker Rod Pin to 1" GO Pin Assy	ADA0-26
AS3-0036	AES Tear Drop to 1" GO Box Assy	ADA0-20
AS3-0042	Double Sealed Tear Drop Assy	ADA0-25

## 1 3/8"

AS4-0001	AES Tear Drop Sub Assy	ADA0-29
AS4-0005	Double GO Pin Sub Assy	ADA0-30
AS4-0008	Atlas Pin to 1 3/8" GO Pin Assy	ADA0-32
AS4-0010	Atlas Box to 1 3/8" GO Pin Assy	ADA0-33
AS4-0011	Tear Drop to 1 3/8" Atlas Box Assy	ADA0-33
AS4-0012	Schlumberger Box to 1 3/8" GO Pin Assy	ADA0-34
AS4-0013	GO Box to 1 3/8" McCullough Box Assy	ADA0-35
AS4-0021	Atlas Pin to 1 3/8" GO Box Assy	ADA0-32
AS4-0022	Double GO Box Sub Assy	ADA0-30
AS4-0023	Sucker Rod Box to 1 3/8" GO Box Assy	ADA0-43
AS4-0024	Sucker Rod Pin to 1 3/8" GO Box Assy	ADA0-43
AS4-0025	Sucker Rod Box to 1 3/8" GO Pin Assy	ADA0-43
AS4-0027	AES Double Sealed Tear Drop Assy	ADA0-31
AS4-0028	Sucker Rod Pin to 1 3/8" Atlas Box	ADA0-42
AS4-0029	Sucker Rod Box to 1 3/8" Atlas Box	ADA0-42
AS4-0030	GO Box to 1 3/8" GO Box Assy	ADA0-28
AS4-0031	SIE Box to 1 3/8" GO Box Assy	ADA0-36
AS4-0035	Combination Diode Assy	ADA0-37
AS4-0037	Sucker Rod Double Box	ADA0-42
AS4-0038	Sucker Rod Box to 5/8" Sucker Rod Pin	ADA0-42
AS4-0039	GO Pin to 1 3/8" McCullough Pin Assy	ADA0-38
AS4-0040	Sucker Rod Box to 1 3/8" McCullough Pin	ADA0-42
AS4-0044	Sucker Rod Pin to 1 3/8" GO Pin Assy	ADA0-43
AS4-0045	GO Pin to 1 3/8" GO Pin Assy	ADA0-28
AS4-0048	Schlumberger Box to 1 3/8" Teardrop Sub Assy	ADA0-39



**APPLIED  
ELECTRONIC  
SYSTEMS**

a **Sondax** company

[www.aesla.com](http://www.aesla.com)

Continued Next Page

ADA0-3

# ADAPTOR PRODUCT RANGES

Part No. Description Page

## 1 3/8" Continued from previous page

AS4-0049	Schlumberger Box to 1 3/8" Tear Drop Sub Assy	ADA0-39
AS4-0052	Schlumberger Pin to 1 3/8" GO Pin Assy	ADA0-34
AS4-0093	Double Sucker Rod Pin	ADA0-42
AS4-0103	GO Box/Tear Drop W/Pressure Connector & Ground Screw	ADA0-40
AS4-0104	GO Pin/Tear Drop W/Pressure Connector & Ground Screw	ADA0-41

## 1 7/16"

AS5-0001	GO Pin to 1" GO Box Assy	ADA0-46
AS5-0007	GO Box to 1" GO Pin Assy	ADA0-46
AS5-0014	AES Tear Drop Sub Assy	ADA0-47
AS5-0025	GO Double Pin Assy	ADA0-48
AS5-0026	GO Double Box Assy	ADA0-48
AS5-0028	AES Double Sealed Tear Drop Assy	ADA0-45
AS5-0029	AES Tear Drop Sub to 1 3/8" GO Box Assy	ADA0-47
AS5-0030	Double Sealed Tear Drop W/Adjustment Ring	ADA0-49
AS5-0031	GO Double Pin Sub W/Adjustment Ring	ADA0-49

## 1 1/2"

AS8-0001	GO Low Pressure Firing Sub Assy	ADA0-50
AS8-0002	Sucker Rod Pin to 1 3/8" GO Pin Assy	ADA0-44
AS8-0003	Sucker Rod Box to 1 3/8" GO Box Assy	ADA0-44
AS8-0005	GO High Pressure Firing Sub Assy	ADA0-50
AS8-0006	Sucker Rod Box to 1 3/8" GO Pin Assy	ADA0-44
AS8-0007	GO Firing Sub to Atlas Sub Assy	ADA0-51

## 1 9/16"

AS6-0045	RTG Tandem Sub Assy	ADA0-52
AS6-0047	RTG Bottom Sub Adapter Assy	ADA0-52
AS6-0046	RTG Top Sub Assy	ADA0-52
AS6-0048	RTG Bull Plug Assy	ADA0-52
AS6-0049	Lower Decentralizer Adapter Assy	ADA0-52
AS6-0071	Lower Blast Sub	ADA0-52



Continued Next Page

**APPLIED  
ELECTRONIC  
SYSTEMS**

a **Sondex** company  
[www.aesla.com](http://www.aesla.com)

ADA0-4

# ADAPTOR PRODUCT RANGES

Part No. Description Page

## 1 11/16"

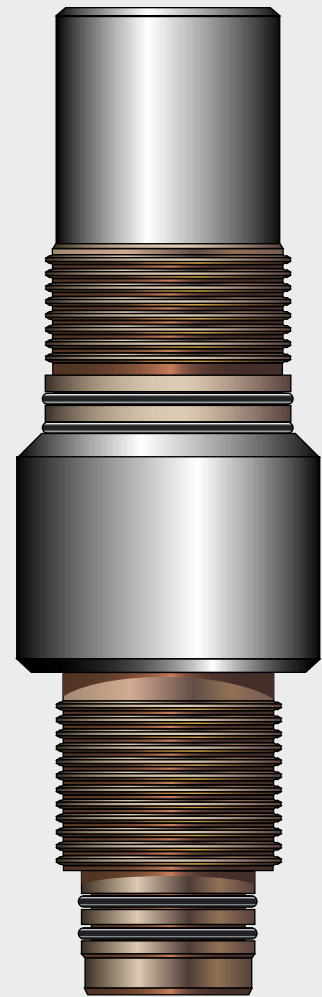
AS6-0001	Schlumberger Box to 1 3/8" GO Pin Assy	ADA0-53
AS6-0018	Schlumberger Pin to 1 3/8 GO Pin Assy	ADA0-53
AS6-0065	AES Tear Drop Sub to 1 3/8" GO Box Assy	ADA0-54
AS6-0037	AES Tear Drop Sub Assy	ADA0-54
AS6-0060	GO Double Box Assy	ADA0-55
AS6-0070	GO Double Pin Assy	ADA0-55
AS6-0076	Button Pin / GO Box	ADA0-56
AS6-0079	Schlumberger Pin to 1 3/8" GO Box	ADA0-57
AS6-0085	GO Box/Tear Drop W/Pressure Connector & Ground Screw	ADA0-58
AS6-0086	GO Pin/Tear Drop W/Pressure Connector & Ground Screw	ADA0-59

## 1 3/4"

AS7-0002	GO Quick-Change Pin to 1 7/16" GO Pin Assy	ADA0-60
AS7-0003	GO Quick-Change Pin to GO Tear Drop Assy	ADA0-60
AS7-0004	GO Quick-Change Pin to 1 7/16" GO Box Assy	ADA0-60
AS7-0007	Double Quick Change Pin Assy	ADA0-61

## 2" - 3 1/4"

AS7-0013	2 1/2" GO Quick Change Box Tto GO Box	ADA0-62
AS9-0028	3 1/4" Quick Change Assy, GO	ADA0-63
AS9-0029	3 1/8" Quick Change Assy, SIE	ADA0-64
AS9-0031	2" RTG Tandem Sub Assy	ADA0-65
AS9-0032	2" RTG Top Sub Assy	ADA0-65
AS9-0033	2" RTG Bull Plug Assy	ADA0-65
AS9-0042	2" RTG Bottom Adapter Sub Assy	ADA0-65
AS10-0001	Firing Head Assembly for Baker #20 Setting Tool	ADA0-68
AS10-0002	#10 Baker Firing Head to GO Quick-Change Assy (GO Type Igniter)	ADA0-66
AS10-0003	#20 Baker Firing Head to GO Quick-Change Assy (GO Type Igniter)	ADA0-66
AS10-0004	#20 Baker Firing Head to GO Quick-Change Assy (Baker Type Igniter)	ADA0-67
AS10-0005	#10 Baker Firing Head to GO Quick-Change Assy (Baker Type Igniter)	ADA0-67
AS10-0006	Firing Head Assembly for Baker #10 Setting Tool	ADA0-69



**APPLIED  
ELECTRONIC  
SYSTEMS**

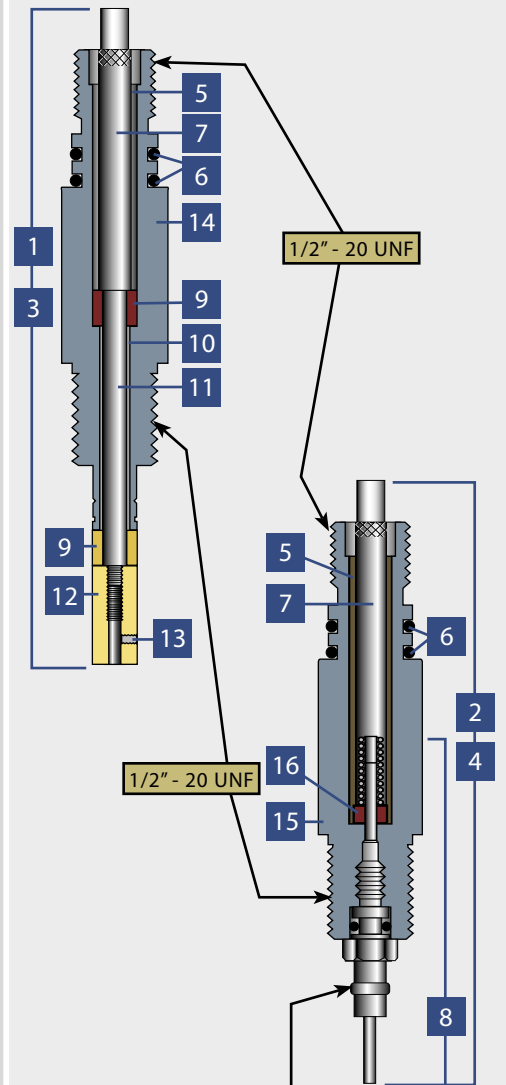
a **Sondex** company  
[www.aesla.com](http://www.aesla.com)

# ADAPTOR COMPONENTS

## 5/8" AES Tear Drop & 5/8" AES Tear Drop With Pressure Connector

Ref.	Part No.	Description
1	AS0-0001	AES 5/8" Tear Drop Complete Assy
2	AS0-0007	AES 5/8" Tear Drop w/Pressure Connector
3	KIT-0-0001	Complete Kit Assy *
4	KIT-0-0007	Complete Kit Assy *
5	BOO-0032	Insulating Sleeve
6	000-0012	O-Rings: 012
7	CON-0011	Spring Loaded Contact
8	PSA-001	Contact Assy
9	0.687-0002	Insulating Washer
10	BOO-0096	Insulating Sleeve
11	0.687-0030	6-32 to 4-40 Contact Rod
12	0.687-0007	4-40 Contact Receptacle
13	HOO-0003	4-40 X 1/8" Socket Set Screw
14	0.625-0007	Contact Sub Body
15	0.625-0024	Contact Sub Body
16	0.687-0090	Contact Insulator

\* Does not include O-Rings



Note: CON-0038 rubber pressure connector boot mates with CON-0012-A pressure connector

**APPLIED  
ELECTRONIC  
SYSTEMS**

a **Sondex** company

[www.aesla.com](http://www.aesla.com)

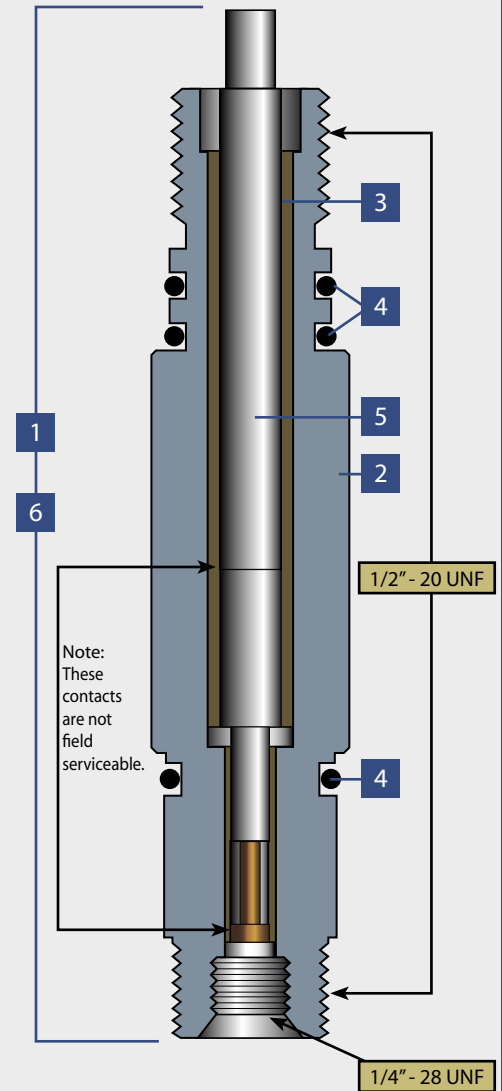
ADA0-6

# ADAPTOR COMPONENTS

## 5/8" AES Pin To JRC Cutter

Ref.	Part No.	Description
1	AS0-0008	AES 5/8" Pin to JRC Cutter Complete Assy
2	0.625-0056	Contact Sub Body
3	BOO-0032	Insulating Sleeve
4	000-0012	O-Rings: 012
5	CON-0011	Spring Loaded Contact
6	Kit-0-0008	Complete Kit Assy

\* Does not include O-Rings



**APPLIED  
ELECTRONIC  
SYSTEMS**

a **Sondex** company  
[www.aesla.com](http://www.aesla.com)

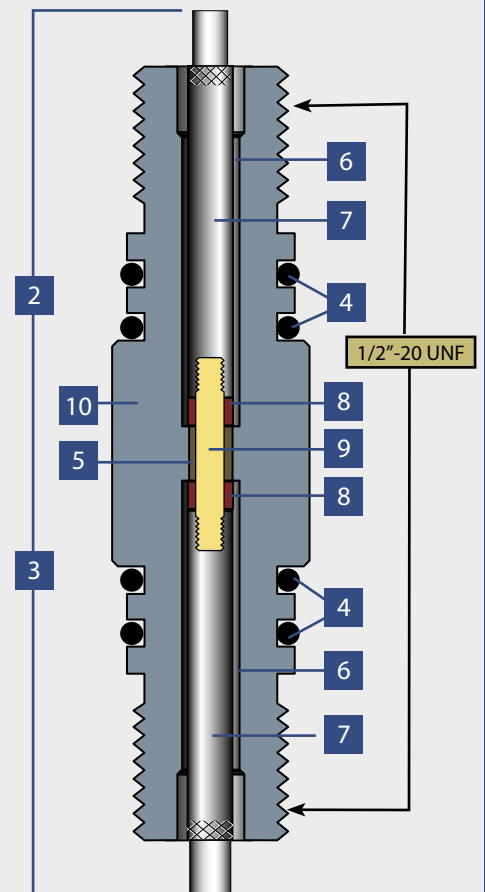
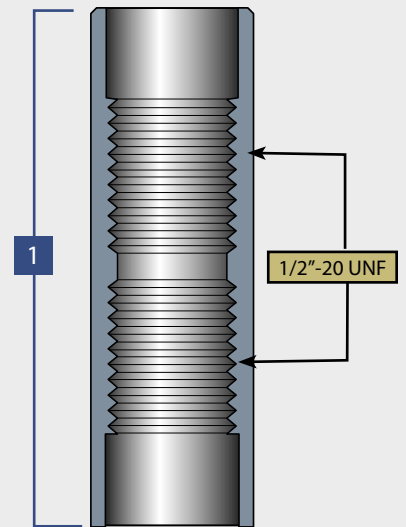
ADA0-7

# ADAPTOR COMPONENTS

## 5/8" AES Double Box Sub 5/8" AES Double Pin Sub

Ref.	Part No.	Description
1	AS0-0009	AES 5/8" Double Box Sub (.6250036)
2	AS0-0014	AES 5/8" Double Pin Sub Complete Assembly
3	KIT-0-0014	Complete Kit Assembly *
4	000-0012	O-Rings: 012
5	BOO-0096	Insulating Sleeve
6	BOO-0032	Insulating Sleeve
7	CON-0011	Spring Loaded Contact
8	0.687-0002	Insulating Washer
9	0.625-0075	6-32 Contact Rod
10	0.625-0057	Contact Sub Body

\* Does not include O-Rings



**APPLIED  
ELECTRONIC  
SYSTEMS**

a **Sondex** company  
[www.aesla.com](http://www.aesla.com)

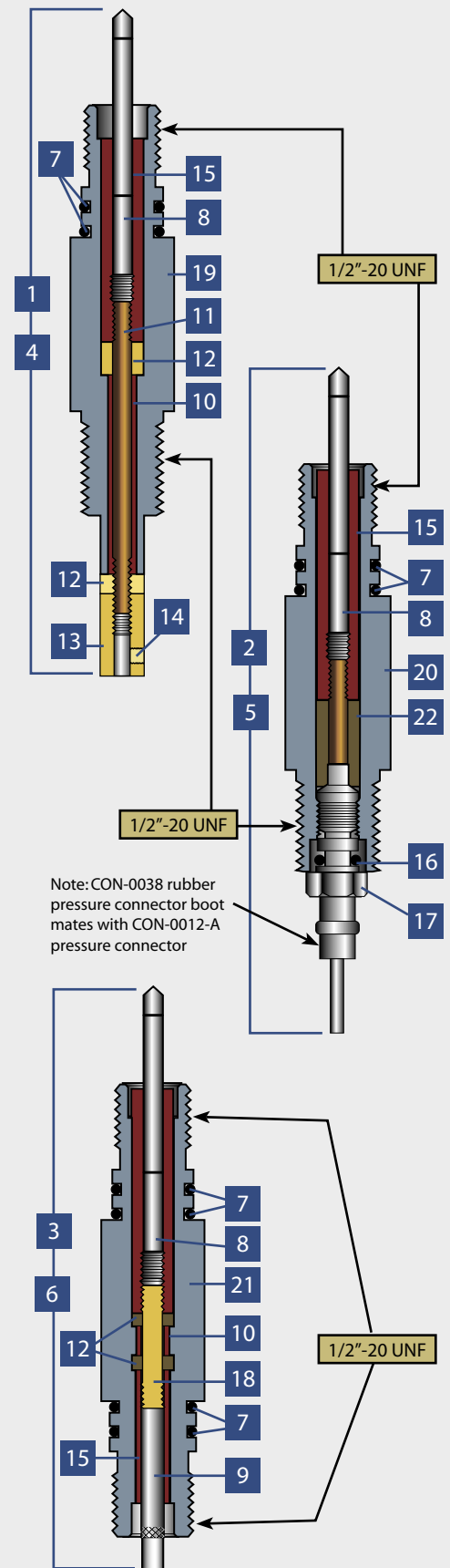
ADA0-8

# ADAPTOR COMPONENTS

11/16" Pipe Recovery Systems Chemical  
Cutter To 5/8" AES Tear Drop  
11/16" Pipe Recovery Systems Chemical  
Cutter To Pressure Connector  
11/16" Pipe Recovery Systems Chemical  
Cutter To 5/8" AES Pin

Ref.	Part No.	Description
1	AS0-0011	11/16" Pipe Recovery Systems Chemical Cutter to 5/8" AES Tear Drop
2	AS0-0012	11/16" Pipe Recovery Systems Chemical Cutter to Pressure Connector
3	AS0-0015	11/16" Pipe Recovery Systems Chemical Cutter to 5/8" AES Pin
4	KIT-0-0011	Complete Kit Assy *
5	KIT-0-0012	Complete Kit Assy *
6	KIT-0-0015	Complete Kit Assy *
7	000-0012	O-Rings: 0012
8	PSA-010	Contact Assy
9	CON-0011	Spring Loaded Contact
10	BOO-0096	Insulating Sleeve
11	0.687-0030	6-32 Contact Rod
12	0.687-0002	Insulating Washer
13	0.687-0007	11/16" Contact Nut
14	HOO-0003	4-40 Set Screw
15	BOO-0032	Insulating Sleeve
16	000-0008	O-Rings: 008
17	CON-0012-A	Pressure Connector
18	0.625-0075	6-32 Contact Rod
19	0.625-0007	Contact Sub Body
20	0.625-0024	Contact Sub Body
21	0.625-0057	Contact Sub Body
22	0.687-0090	Contact Insulator

\* Does not include O-Rings



**APPLIED  
ELECTRONIC  
SYSTEMS**

a **Sondex** company  
[www.aesla.com](http://www.aesla.com)

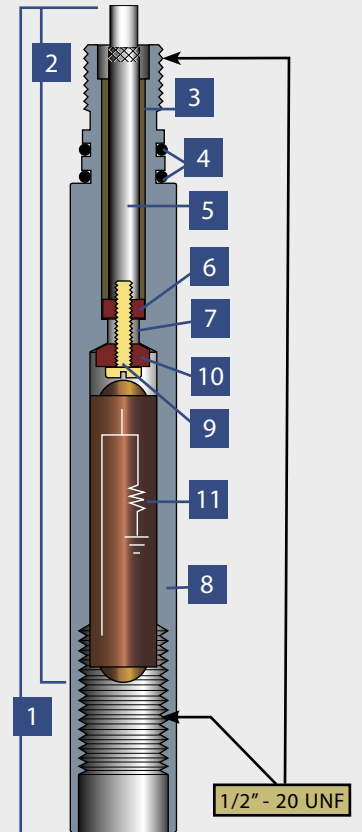
ADA0-9

# ADAPTOR COMPONENTS

## 5/8" AES Resistor Sub

Ref.	Part No.	Description
1	AS0-00195/8"	AES Resistor Sub Complete Assy
2	KIT-0-0019	Complete Kit Assy *
3	BOO-0032	Insulating Sleeve
4	000-0012	O-Rings: 012
5	CON-0011	Spring Loaded Contact
6	0.687-0002	Insulating Washer
7	BOO-0096	Insulating Sleeve
8	0.625-0071	Contact Sub Body
9	HOO-0153	6-32 Contact Rod
10	0.625-0070	Beveled Insulating Washer
11	PSA-033	Resistor Cartridge

\* Does not include O-Rings



**APPLIED  
ELECTRONIC  
SYSTEMS**

a **Sondex** company  
[www.aesla.com](http://www.aesla.com)

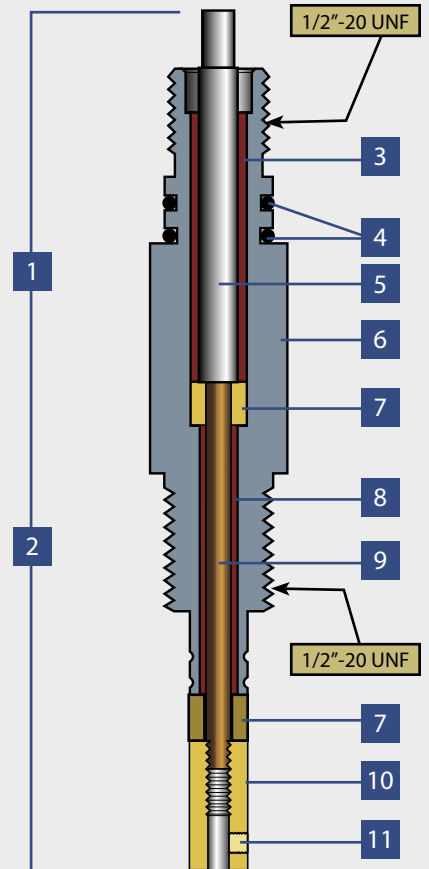
ADA0-10

# ADAPTOR COMPONENTS

## 11/16" AES Tear Drop Sub

Ref.	Part No.	Description
1	AS1-0014	11/16" AES Tear Drop Sub Complete Assembly
2	KIT-1-001	Complete Kit Assembly *
3	BOO-0032	Insulating Sleeve
4	000-0012	O-Rings: 012
5	CON-0011	Spring Loaded Contact
6	0.687 - 0086	11/16" Tear Drop Sub Body
7	0.687-0002	Insulating Washer
8	B00-0096	Insulating Sleeve
9	0.687-0030	6-32 to 4-40 Contact Rod
10	0.687-007	11/16" Contact Receptacle
11	H00-0003	4-40 x 1/8" Socket Set Screw

\* Does not include O-Rings



**APPLIED  
ELECTRONIC  
SYSTEMS**

a **Sondex** company

[www.aesla.com](http://www.aesla.com)

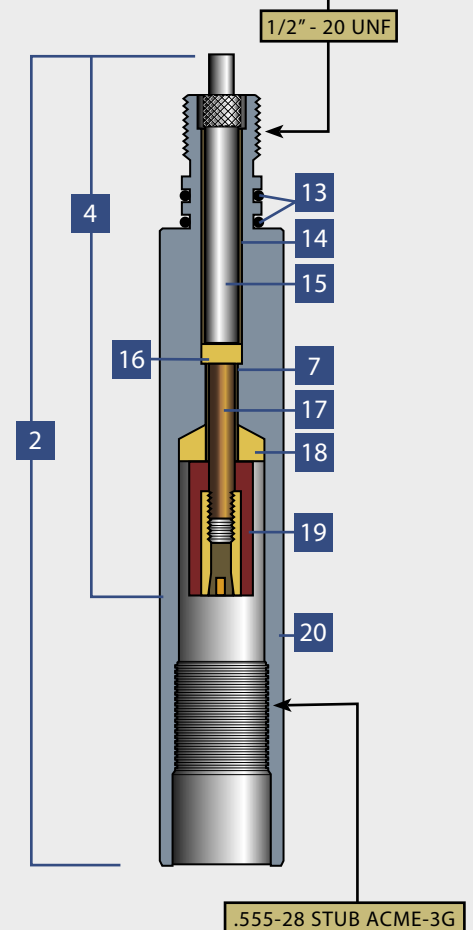
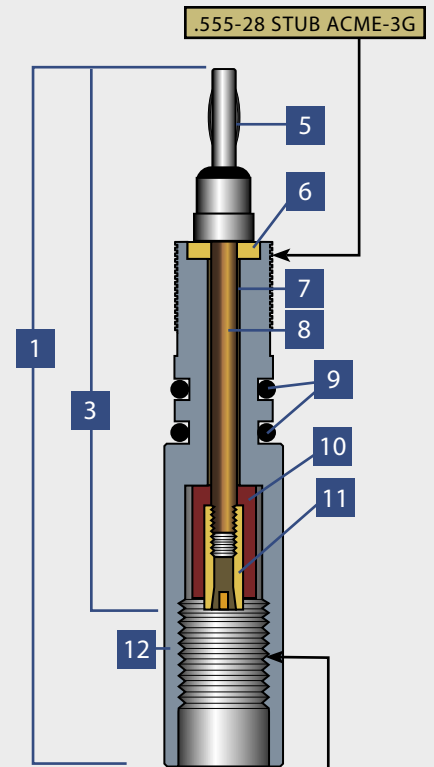
ADA0-11

# ADAPTOR COMPONENTS

## 3/4" GO Pin to 11/16" AES Box & 3/4" GO Box to 11/16" AES Pin

Ref.	Part No.	Description
1	AS1-0007	3/4" GO Pin to 11/16" AES Box Complete Assy
2	AS1-0009	3/4" GO Box to 11/16" AES Pin Complete Assy
3	KIT-1-0007	Complete Kit Assy *
4	KIT-1-0009	Complete Kit Assy *
5	CON-0004	Banana Plug
6	0.437-0001	Insulating Washer
7	BOO-0096	Insulating Sleeve
8	1.-0202	6-32 Contact Rod
9	000-0110	O-Rings: 110
10	0.687-0003	Contact Insulator
11	0.687-0072	Contact Receptacle
12	0.687-0062	Contact Sub Body
13	000-0012	O-Rings: 012
14	BOO-0032	Insulating Sleeve
15	CON-0011	Spring Loaded Contact
16	0.687-0002	Insulating Washer
17	0.687-0069	6-32 Contact Rod
18	0.500-0004	Insulating Washer
19	1.-0031	6-32 Contact Receptacle
20	0.687-0063	Contact Sub Body

\* Does not include O-Rings



**APPLIED  
ELECTRONIC  
SYSTEMS**

a **Sondex** company  
[www.aesla.com](http://www.aesla.com)

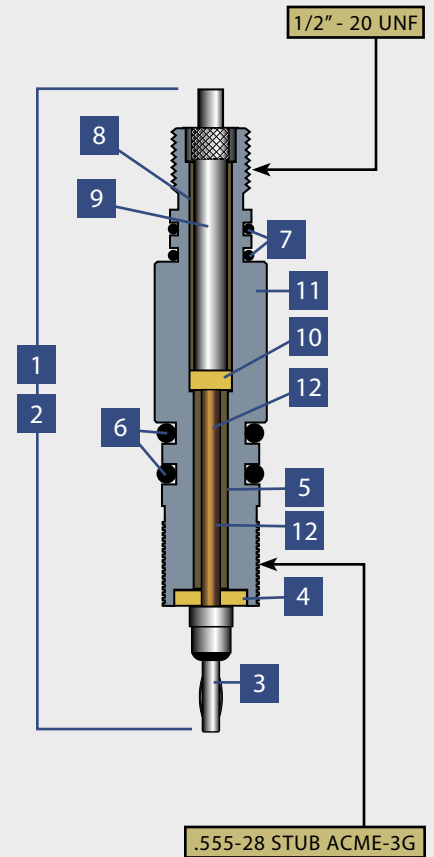
ADA0-12

# ADAPTOR COMPONENTS

## 3/4" GO Pin to 11/16" AES Pin

Ref.	Part No.	Description
1	AS1-0008	3/4" GO Pin to 11/16" AES Pin Complete Assy
2	KIT-1-0008	Complete Kit Assy *
3	CON-0004	Banana Plug
4	0.437-0001	Insulating Washer
5	BOO-0096	Insulating Sleeve
6	000-0110	O-Rings: 110
7	000-0012	O-Rings: 012
8	BOO-0032	Insulating Sleeve
9	CON-0011	Spring Loaded Contact
10	0.687-0002	Insulating Washer
11	0.687-0061	Contact Sub Body
12	0.687-0024	6-32 Contact Rod

\* Does not include O-Rings



**APPLIED  
ELECTRONIC  
SYSTEMS**

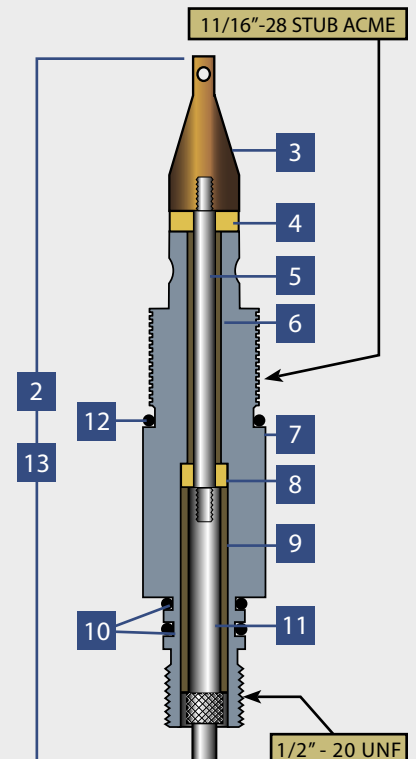
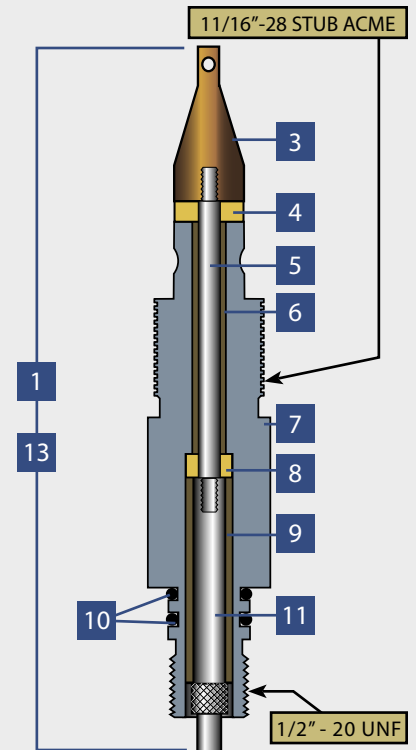
a **Sondex** company  
www.aesla.com

ADA0-13

# ADAPTOR COMPONENTS

## 3/4" AES Tear Drop to 11/16" AES Pin

Ref.	Part No.	Description
1	AS2-0014	3/4" AES Tear Drop to 11/16" AES Pin
2	AS2-0016	3/4" Goex Severing Tool Tear Drop to 11/16" AES Pin
3	0.750-0029	3/4" Cone Nut
4	0.437-0001	Insulating Washer
5	0.687-0024	6-32 Contact Rod
6	BOO-0034	Teflon® Insulating Sleeve
7	0.750-0015	Contact Sub Body
8	0.687-0002	Insulating Washer
9	BOO-0032	Teflon Insulating Sleeve
10	000-0012	O-Rings: 012
11	CON-0011	Spring Loaded Pogo Contact
12	000-0112	O-Rings: 112
13	KIT-2-0014*	Complete Kit Assy



**APPLIED  
ELECTRONIC  
SYSTEMS**

a **Sondex** company  
[www.aesla.com](http://www.aesla.com)

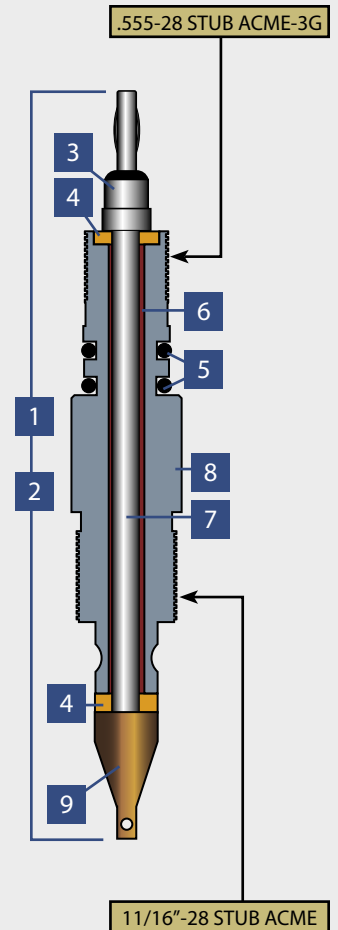
ADA0-14

# ADAPTOR COMPONENTS

## 3/4" AES Tear Drop Assembly

Ref.	Part No.	Description
1	AS2-0002	3/4" AES Tear Drop Assy
2	KIT-2-0002	Complete Kit Assy *
3	CON-0004	6-32 Banana Plug
4	0.437-0001	Insulating Washer
5	000-0110	O-Rings: 110
6	BOO-0096	Insulating Sleeve
7	0.750-0070	Contact Thru Rod
8	0.750-0007	Contact Sub Body
9	0.750-0029	Cone Receptable

\* Does not include O-Rings



**APPLIED  
ELECTRONIC  
SYSTEMS**

a **Sondex** company  
[www.aesla.com](http://www.aesla.com)

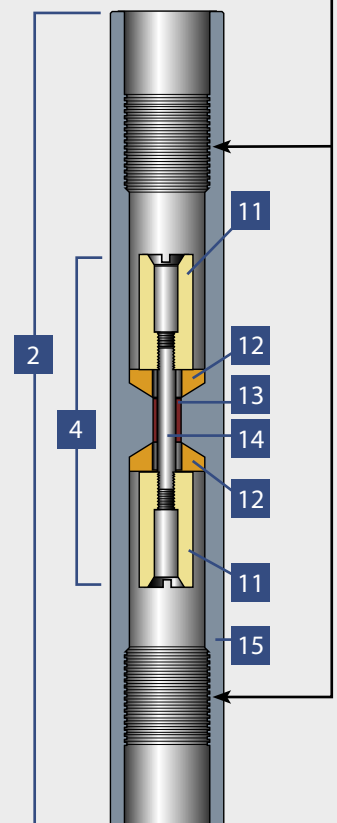
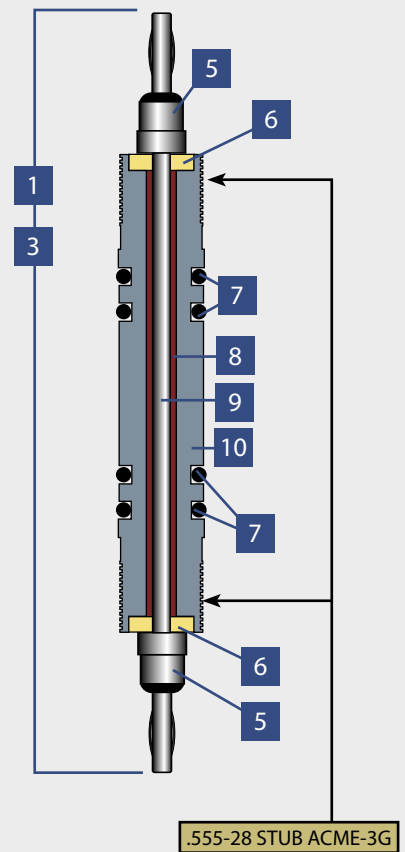
ADA0-15

# ADAPTOR COMPONENTS

## 3/4" Double GO Pin & 3/4" Double GO Box

Ref.	Part No.	Description
1	AS2-0006	3/4" Double GO Pin Complete Assy
2	AS2-0008	3/4" Double GO Box Complete Assy
3	KIT-2-0006	Complete Kit Assy *
4	KIT-2-0008	Complete Kit Assy *
5	CON-0004	6-32 Banana Plug
6	0.437-0001	Insulating Washer
7	000-0110	O-Rings: 110
8	BOO-0096	Insulating Sleeve
9	0.750-0071	6-32 Contact Rod
10	0.750-0027	Contact Sub Body
11	1.-0031	6-32 Contact Receptacle
12	0.500-0004	Beveled Insulating Washer
13	BOO-0034	Insulating Sleeve
14	0.750-0076	6-32 Contact Rod
15	0.750-0041	Contact Sub Body

\* Does not include O-Rings



**APPLIED  
ELECTRONIC  
SYSTEMS**

a **Sondex** company  
[www.aesla.com](http://www.aesla.com)

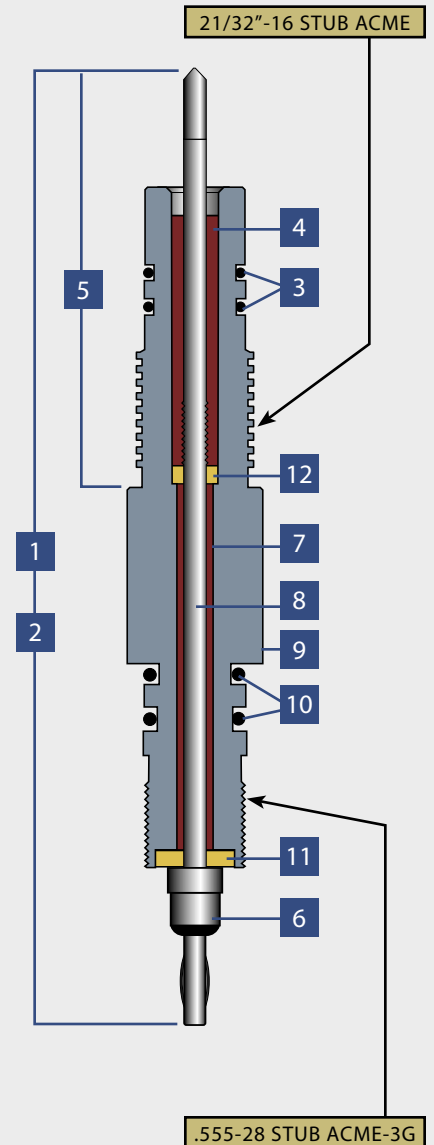
ADA0-16

# ADAPTOR COMPONENTS

## 3/4" GO Pin to 3/4" Pipe Recovery Systems Chemical Cutter

Ref.	Part No.	Description
1	AS2-0011	3/4" GO Pin to 3/4" Pipe Recovery Systems Chemical Cutter
2	KIT-2-0011	Complete Kit Assy *
3	000-0013	O-Rings: 013
4	BOO-0032	Insulating Sleeve
5	PSA-0011	Spring Loaded Contact Assy
6	CON-0004	6-32 Banana Plug
7	BOO-0096	Insulating Sleeve
8	0.750-0072	6-32 Contact Rod 2 5/8" Lg.
9	0.750-0038	Contact Sub Body
10	000-0110	O-Rings: 110
11	0.437-0001	Insulating Washer
12	0.687-0002	Insulating Washer

\* Does not include O-Rings



**APPLIED  
ELECTRONIC  
SYSTEMS**

a **Sondex** company

[www.aesla.com](http://www.aesla.com)

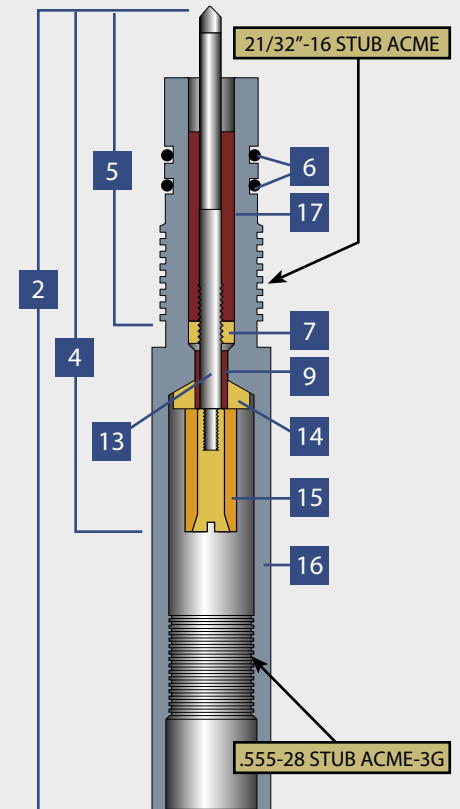
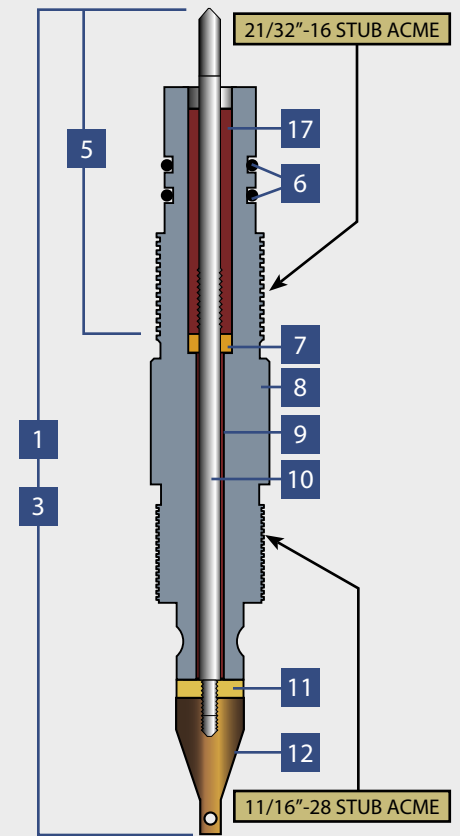
ADA0-17

# ADAPTOR COMPONENTS

## 3/4" AES Tear Drop to 3/4" Pipe Recovery Systems Chemical Cutter & 3/4" GO Box to 3/4" Pipe Recovery Systems Chemical Cutter

Ref.	Part No.	Description
1	AS2-0012	3/4" AES Tear Drop to 3/4" Pipe Recovery Systems Chemical Cutter
2	AS2-0013	3/4" GO Box to 3/4" Pipe Recovery Systems Chemical Cutter
3	KIT-2-0012	Complete Kit Assy *
4	KIT-2-0013	Complete Kit Assy *
5	PSA-011	Contact Assembly
6	000-0013	O-Rings: 013
7	0.687-0002	Insulating Washer
8	0.750-0046	Contact Sub Body
9	BOO-0096	Insulating Sleeve
10	0.750-0072	6-32 Contact Rod
11	0.437-0001	Insulating Sleeve
12	0.750-0029	6-32 Cone Nut
13	0.750-0073	6-32 Contact Rod
14	0.500-0004	Insulating Washer
15	1.-0031	6-32 Contact
16	0.750-0067	Contact Sub Body
17	BOO-0032	Insulating Sleeve

\* Does not include O-Rings



**APPLIED  
ELECTRONIC  
SYSTEMS**

a **Sondex** company  
[www.aesla.com](http://www.aesla.com)

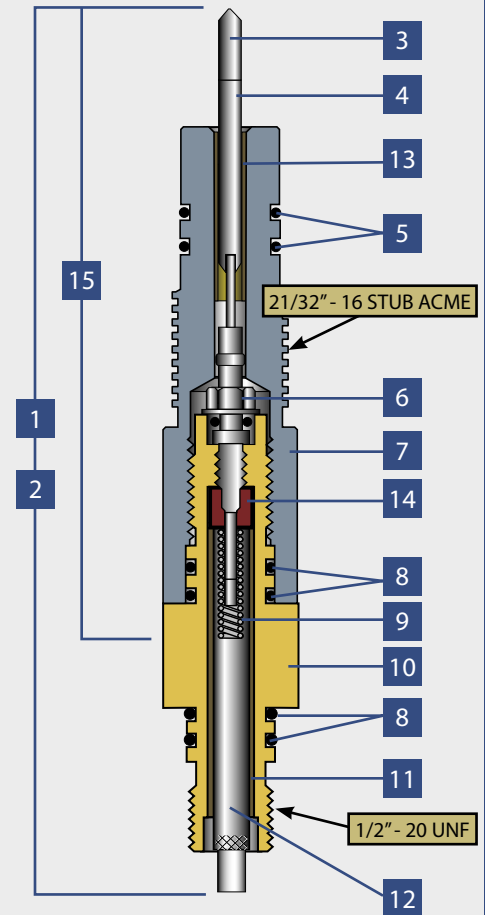
ADA0-18

# ADAPTOR COMPONENTS

## 5/8" AES Pin to 3/4" Pipe Recovery Systems Chemical Cutter

Ref.	Part No.	Description
1	AS2-0001	5/8" AES Pin to 3/4" Pipe Recovery Systems Chemical Cutter
2	KIT-2-0001	Complete Kit Assy *
3	CON-0034	Spring Loaded Contact
4	CON-0035	Spring Loaded Contact
5	000-0013	O-Rings: 013
6	CON-0008	Pressure Connector
7	0.750-0016	Contact Sub Body
8	000-0012	O-Rings: 012
9	0.687-0048	6-32 Contact Receptacle
10	0.750-0024	Contact Sub Body
11	BOO-0032	Insulating Sleeve
12	CON-0011	Spring Loaded Contact
13	B00-0096	Insulating Sleeve
14	0.687-0090	Contact Insulator
15	PSA-003	Contact Kit

\* Does not include O-Rings



**APPLIED  
ELECTRONIC  
SYSTEMS**

a **Sondex** company

[www.aesla.com](http://www.aesla.com)

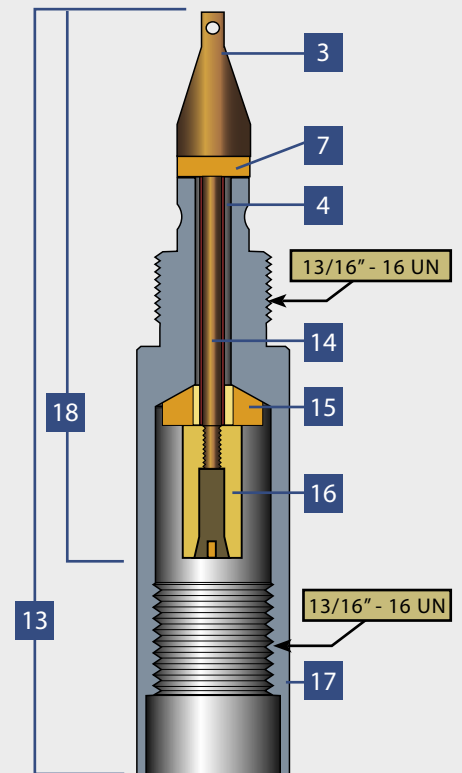
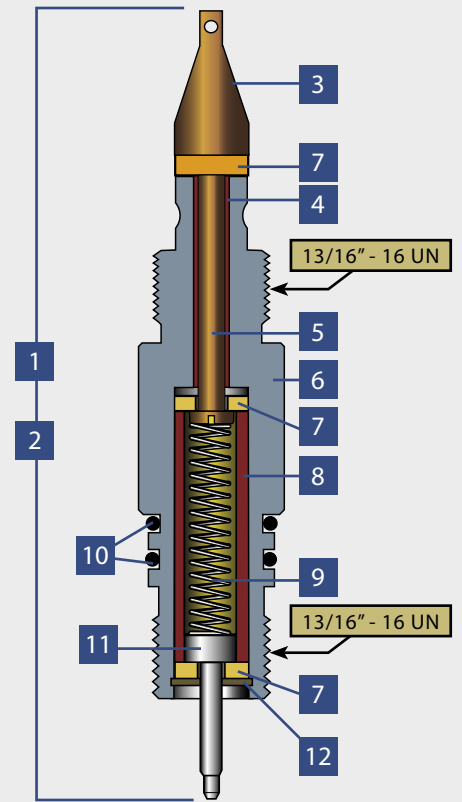
ADA0-19

# ADAPTOR COMPONENTS

## 1" AES Tear Drop to 1" GO Pin & 1" AES Tear Drop to 1" GO Box

Ref.	Part No.	Description
1	AS3-0001	AES 1" Tear Drop to 1" GO Pin Complete Assy
2	KIT-3-0001	Complete Kit Assy *
3	1.375-0030	10-32 Cone Nut
4	BOO-0032	Insulating Sleeve
5	HOO-0095	Contact Thru Rod
6	1.-0050	Contact Sub Body
7	1.-0041	Insulating Washer
8	1.-0042	Contact Insulator
9	1.-0037	Contact Spring
10	000-0115	O-Rings: 115
11	1.-0033	Contact Plunger
12	HOO-0065	Retainer Ring
13	AS3-0036	1" AES Tear Drop To 1" GO Box Assy
14	1.375-0451	10-32 Contact Rod
15	1.-0086	Beveled Insulating Washer
16	1.-0087-B	10-32 Contact Receptacle
17	1.-0222	Contact Sub Body
18	KIT-3-0036	Complete Kit Assy *

\* Does not include O-Rings



**APPLIED  
ELECTRONIC  
SYSTEMS**

a **Sondex** company  
[www.aesla.com](http://www.aesla.com)

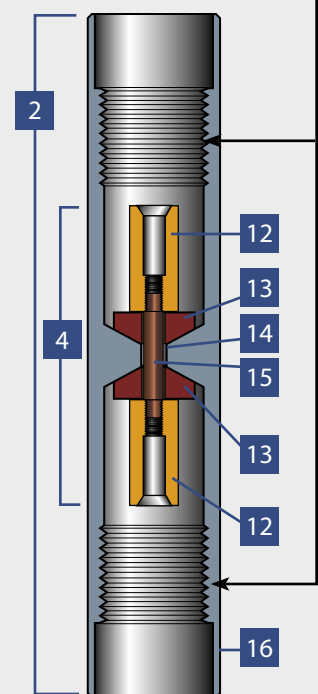
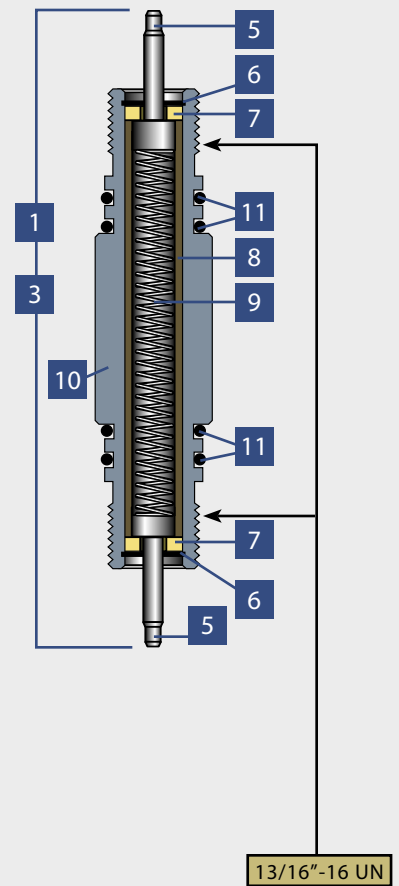
ADA0-20

# ADAPTOR COMPONENTS

## 1" GO Double Pin & 1" GO Double Box

Ref.	Part No.	Description
1	AS3-0005	1" GO Double Pin Complete Assy
2	AS3-0018	1" GO Double Box Complete Assy
3	KIT-3-0005	Complete Kit Assy *
4	KIT-3-0018	Complete Kit Assy *
5	1.-0033	Contact Plunger
6	HOO-0065	Retainer Ring
7	1.-0041	Insulating Washer
8	1.-0028	Contact Insulator
9	1.-0037-1	Contact Spring
10	1.-0062	Contact Sub Body
11	000-0015	O-Rings: 015
12	1.-0087-B	10-32 Contact Receptacle
13	1.-0086	Beveled Insulating Washer
14	BOO-0032	Insulating Sleeve
15	1.375-0433	10-32 Contact Rod
16	1.-0103	Contact Sub Body

\* Does not include O-Rings



**APPLIED  
ELECTRONIC  
SYSTEMS**

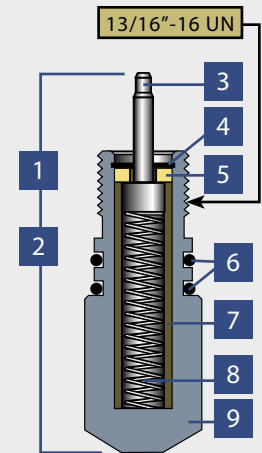
a **Sondex** company  
[www.aesla.com](http://www.aesla.com)

# ADAPTOR COMPONENTS

## 1" GO Bull Plug

Ref.	Part No.	Description
1	AS3-0006	1" GO Bull Plug Complete Assy
2	KIT-3-0006	Complete Kit Assy *
3	1.-0033	Contact Plunger
4	HOO-0065	Retainer Ring
5	1.-0041	Insulating Washer
6	000-0015	O-Rings: 015
7	1.0042	Contact Insulator
8	1.-0037	Contact Spring
9	1.-0030	Contact Sub Body

\* Does not include O-Rings



**APPLIED  
ELECTRONIC  
SYSTEMS**

a **Sondex** company  
[www.aesla.com](http://www.aesla.com)

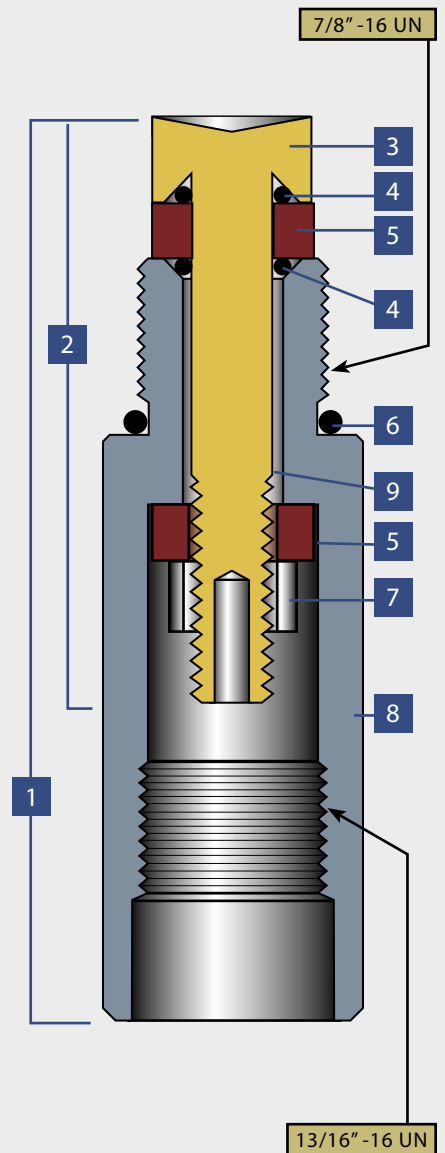
ADA0-22

# ADAPTOR COMPONENTS

## 1" GO Firing Sub

Ref.	Part No.	Description
1	AS3-0007	1" GO Firing Sub Assy
2	KIT-3-0007	Complete Kit Assy *
3	1.-0029	Firing Sub Contact
4	000-0110	O-Rings: 110
5	1.-0129	Insulating Washer
6	000-0210	O-Rings: 210
7	HOO-0138	3/8"-16 Hex Nut
8	1.-0127	Contact Sub Body
9	BOO-0097	Insulating Sleeve

\* Does not include O-Rings



**APPLIED  
ELECTRONIC  
SYSTEMS**

a **Sondex** company  
[www.aesla.com](http://www.aesla.com)

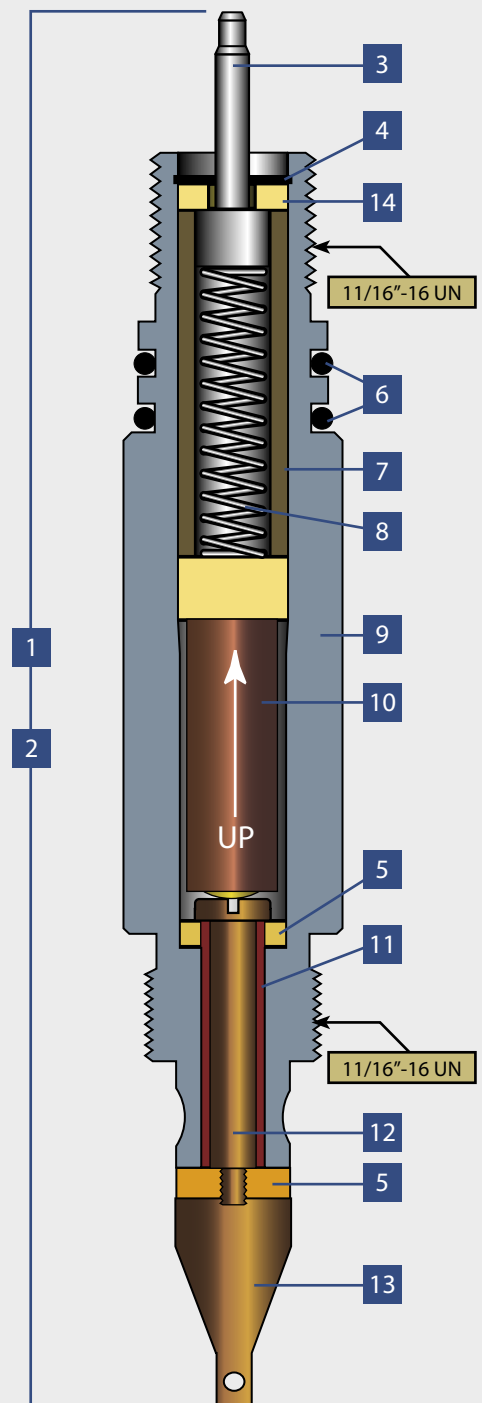
ADA0-23

# ADAPTOR COMPONENTS

## 1" AES Combination Diode Sub

Ref.	Part No.	Description
1	AS3-0022	1" AES Combination Diode Sub Complete Assy
2	KIT-3-0022	Complete Kit Assy *
3	1.-0033	Contact Plunger
4	HOO-0181	Retainer Ring
5	0.500-0005HT	Insulating Washer
6	000-0115-95	O-Rings: 115
7	1.-0235	Contact Insulator
8	1.-0037	Contact Spring
9	1.-0051	Contact Sub Body
10	PSA-029	Diode Cartridge Assembly (47 OHM)
11	BOO-0032	Insulating Sleeve
12	HOO-0096	Contact Rod
13	1.375-0030	10-32 Cone Nut
14	1.-0234	Insulating Washer

\* Does not include O-Rings



**APPLIED  
ELECTRONIC  
SYSTEMS**

a **Sondex** company  
[www.aesla.com](http://www.aesla.com)

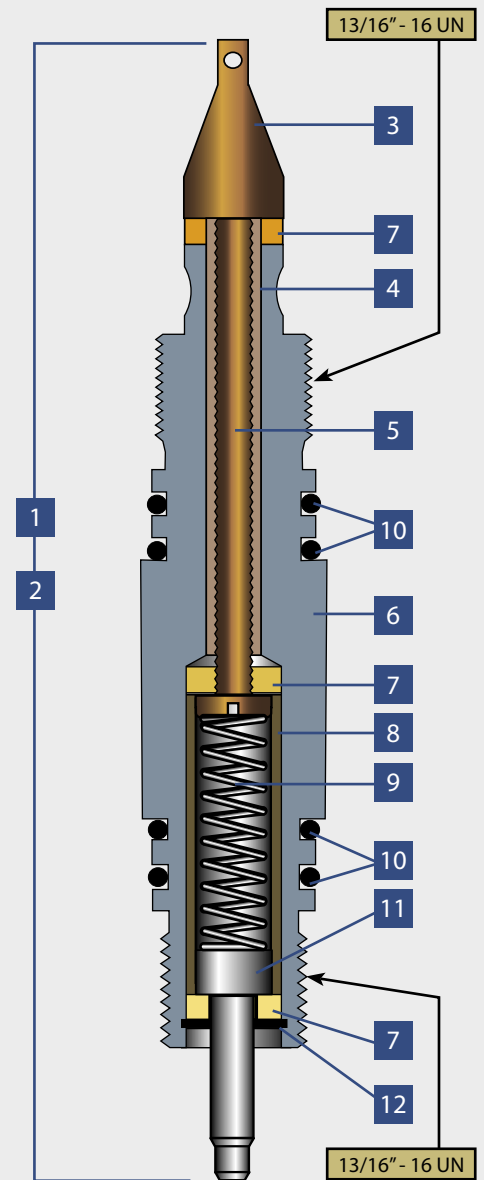
ADA0-24

# ADAPTOR COMPONENTS

## 1" Double Sealed Tear Drop

Ref.	Part No.	Description
1	AS3-0042	1" Double Sealed Tear Drop Complete Assy
2	KIT-3-0042	Complete Kit Assy *
3	1.375-0030	10-32 Cone Nut
4	BOO-0032	Insulating Sleeve
5	HOO-0252	10-32 Pan Head Screw 3" Lg.
6	3446	Double Sealed Tear Drop Body
7	1.-0041	Insulating Washer
8	1.-0042	Contact Insulator
9	1.-0037	Contact Spring
10	000-0115	O-Rings: 115
11	1.-0033	Contact Plunger
12	HOO-0065	Retainer Ring

\* Does not include O-Rings



**APPLIED  
ELECTRONIC  
SYSTEMS**

a **Sondex** company  
[www.aesla.com](http://www.aesla.com)

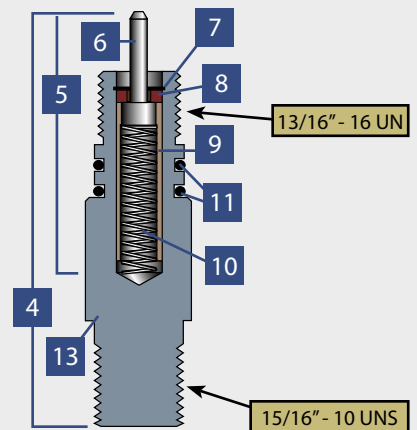
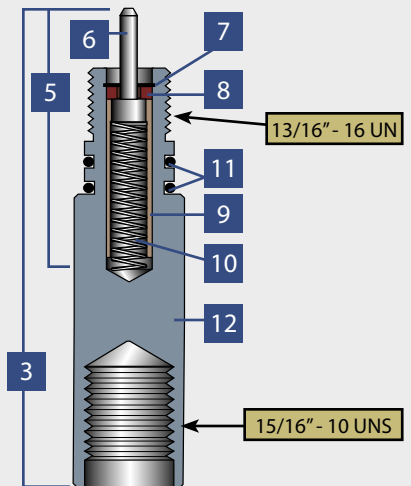
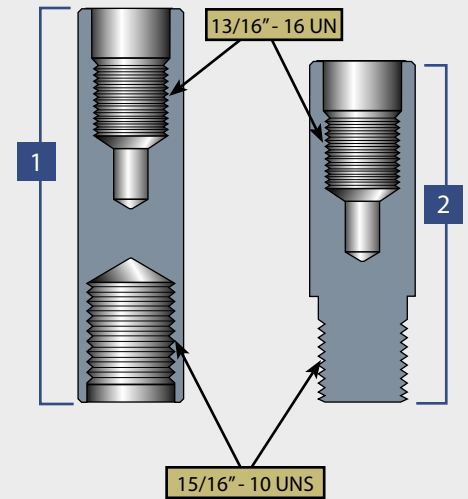
ADA0-25

# ADAPTOR COMPONENTS

- 5/8" Sucker Rod Box to 1" GO Box
- 5/8" Sucker Rod Pin to 1" GO Box
- 5/8" Sucker Rod Box to 1" GO Pin
- 5/8" Sucker Rod Pin to 1" GO Pin

Ref.	Part No.	Description
1	AS3-0019	5/8" Sucker Rod Box to 1" GO Box
2	AS3-0020	5/8" Sucker Rod Pin to 1" GO Box
3	AS3-0021	5/8" Sucker Rod Box to 1" GO Pin Assy
4	AS3-0026	5/8" Sucker Rod Pin to 1" GO Pin Assy
5	KIT-3-0001	Complete Kit Assembly *
6	1.-0033	Contact Plunger
7	HOO-0065	Retainer Ring
8	1.-0041	Insulating Washer
9	1.-0042	Contact Insulator
10	1.-0037	Contact Spring
11	000-0115	O-Rings: 115
12	1.-0113	Crossover Sub Body
13	1.-0209	Crossover Sub Body

\* Does not include O-Rings



**APPLIED  
ELECTRONIC  
SYSTEMS**

a **Sondex** company  
[www.aesla.com](http://www.aesla.com)

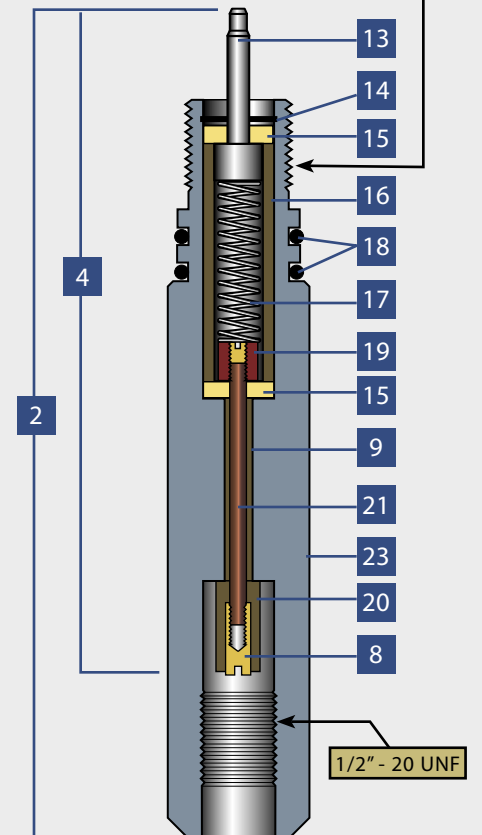
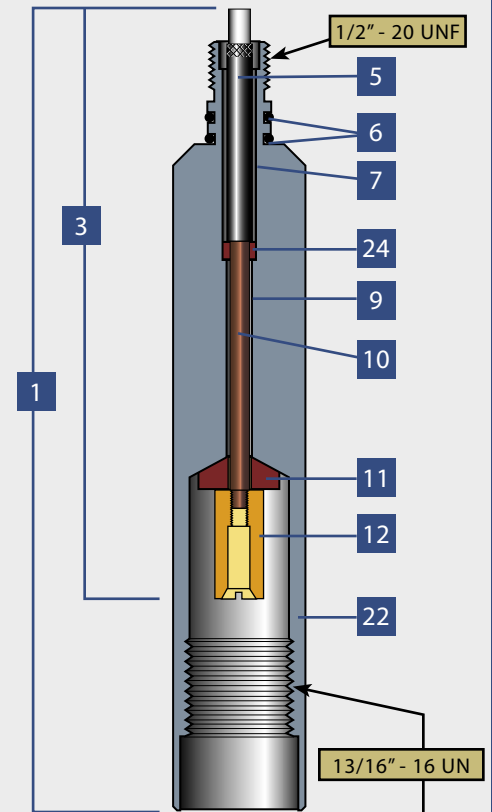
ADA0-26

# ADAPTOR COMPONENTS

## 11/16" AES Pin To 1" GO Box & 11/16" AES Box to 1" GO Pin

Ref.	Part No.	Description
1	AS0-0010	AES 11/16" Pin to 1" GO Box Assy
2	AS3-0034	AES 11/16" Box to 1" GO Pin Assy
3	KIT-0-0010	Complete Kit Assy *
4	KIT-3-0034	Complete Kit Assy *
5	CON-0011	Spring Loaded Contact
6	000-0012	O-Rings: 0012
7	BOO-0032	Insulating Sleeve
8	0.687-0072	6-32 Contact
9	BOO-0096	Insulating Sleeve
10	1.-0186	6-32 Contact Rod
11	1.-0086	Beveled Insulating Washer
12	1.-0031	6-32 Contact Receptacle
13	1.-0033	Contact Plunger
14	HOO-0065	Retainer Ring
15	1.-0041	Insulating Washer
16	1.-0042	Contact Insulator
17	1.-0037	Contact Spring
18	000-0115	O-Rings: 115
19	1.-0040	6-32 Spacer Contact
20	0.687-0003	Contact Insulator
21	0.687-0024	6-32 Contact Rod
22	1.-0130	Contact Sub Body
23	1.-0185	Contact Sub Body
24	0.687-0002	Insulating Washer

\* Does not include O-Rings



**APPLIED  
ELECTRONIC  
SYSTEMS**

a **Sondex** company  
[www.aesla.com](http://www.aesla.com)

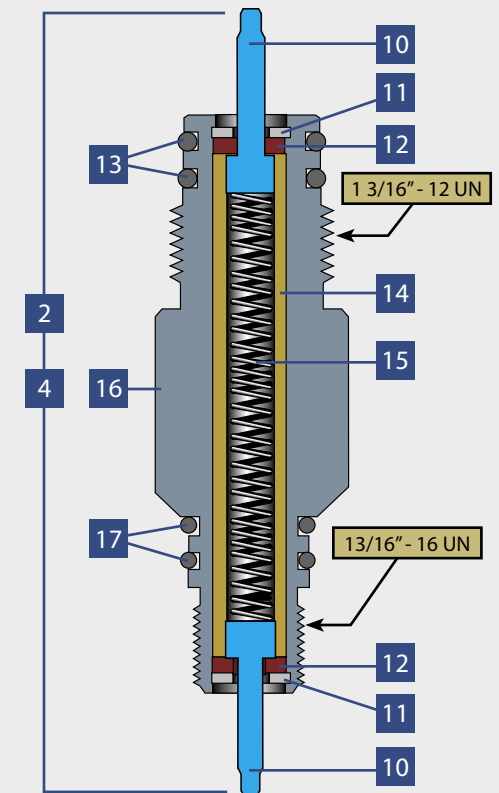
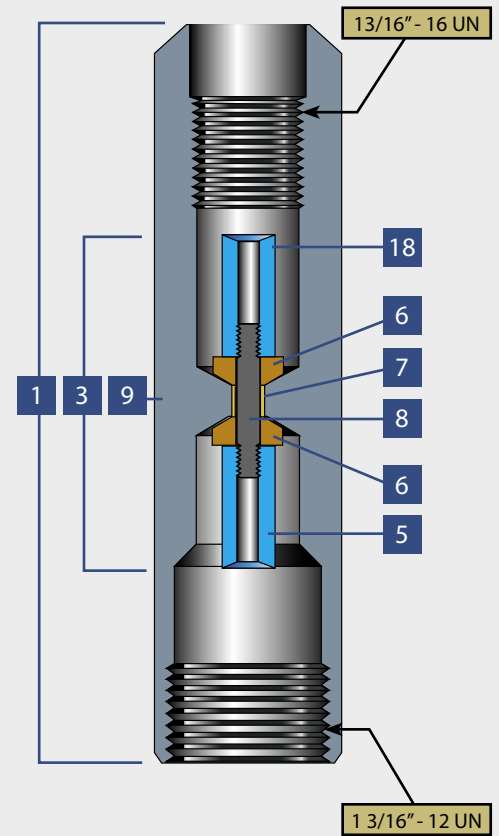
ADA0-27

# ADAPTOR COMPONENTS

## 1" GO Box to 1 3/8" GO Box & 1" GO Pin to 1 3/8" GO Pin

Ref.	Part No.	Description
1	AS4-0030	1" GO Box to 1 3/8" GO Box Complete Assy
2	AS4-0045	1" GO Pin to 1 3/8" GO Pin Complete Assy
3	KIT-4-0030	Complete Kit Assembly *
4	KIT-3-0005	Complete Kit Assembly *
5	1.-0087-A	10-32 Contact Receptacle
6	1.-0086	Beveled Insulating Washer
7	BOO-0032	Insulating Sleeve
8	1.375-0433	10-32 Contact Rod
9	1.375-0148	Contact Sub Body
10	1.-0033	Contact Plunger
11	HOO-0065	Retainer Ring
12	1.-0041	Insulating Washer
13	000-0211	O-Rings: 211
14	1.-0028	Contact Insulator
15	1.-0037-1	Contact Spring
16	1.375-0215	Contact Sub Body
17	000-0115	O-Rings: 115
18	1.-0087-B	10-32 Contact Receptacle

\* Does not include O-Rings



**APPLIED  
ELECTRONIC  
SYSTEMS**

a **Sondex** company  
[www.aesla.com](http://www.aesla.com)

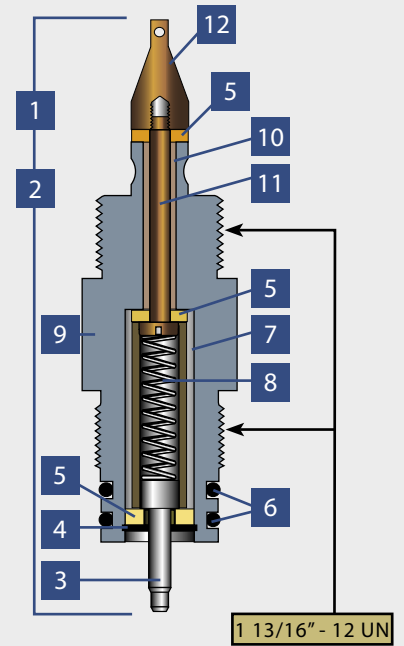
ADA0-28

# ADAPTOR COMPONENTS

## 1 3/8" AES Tear Drop Sub

Ref.	Part No.	Description
1	AS4-0001	1 3/8" AES Tear Drop Sub Complete Assembly
2	KIT-4-0001	Complete Kit Assembly *
3	1.-0033	Contact Plunger
4	HOO-0065	Retainer Ring
5	1.-0041	Insulating Washer
6	000-0211	O-Rings: 211
7	1.-0042	Contact Insulator
8	1.-0037	Contact Spring
9	1.375-0027	Tear Drop Sub Body
10	BOO-0032	Insulating Sleeve
11	HOO-0095	Contact Rod
12	1.375-0030	10-32 Cone Nut

\* Does not include O-Rings



**APPLIED  
ELECTRONIC  
SYSTEMS**

a **Sondex** company  
www.aesla.com

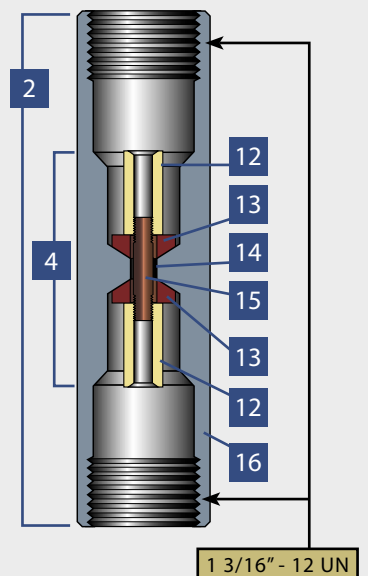
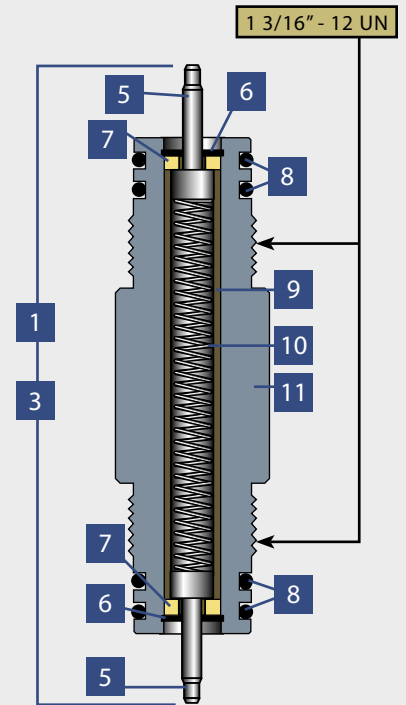
ADA0-29

# ADAPTOR COMPONENTS

## 1 3/8" Double GO Pin Sub & 1 3/8" Double GO Box Sub

Ref.	Part No.	Description
1	AS4-0005	1 3/8" Double GO Pin Sub Complete Assy
2	AS4-0022	1 3/8" Double GO Box Sub Complete Assy
3	KIT-4-0005	Complete Kit Assy *
4	KIT-4-0022	Complete Kit Assy *
5	1.-0033	Contact Plunger
6	HOO-0065	Retainer Ring
7	1.-0041	Insulating Washer
8	000-0211	O-Rings: 211
9	1.-0028	Contact Insulator
10	1.-0037-1	Contact Spring
11	1.375-0079	Contact Sub Body
12	1.-0087A	10-32 Contact Receptacle
13	1.-0086	Beveled Insulating Washer
14	BOO-0032	Insulating Sleeve
15	1.375-0433	Contact Rod
16	1.375-0541	Contact Sub Body

\* Does not include O-Rings



**APPLIED  
ELECTRONIC  
SYSTEMS**

a **Sondex** company  
[www.aesla.com](http://www.aesla.com)

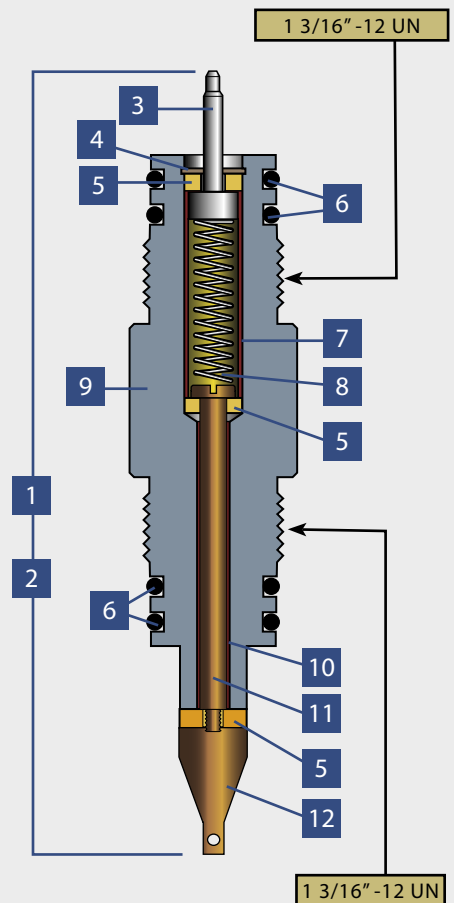
ADA0-30

# ADAPTOR COMPONENTS

## 1 3/8" Double Sealed Tear Drop

Ref.	Part No.	Description
1	AS4-0027	AES 1 3/8" Double Sealed Tear Drop Complete Assy
2	KIT-4-0027	Complete Kit Assy *
3	1.-0033	Contact Plunger
4	HOO-0065	Retainer Ring
5	1.-0041	Insulating Washer
6	000-0211	O-Rings: 211
7	1.-0042	Contact Insulator
8	1.-0037	Contact Spring
9	1.375-0170	1 3/8" Contact Sub Body
10	BOO-0032	Insulating Sleeve
11	HOO-252	Contact Rod
12	1.375-0030	10-32 Cone Receptacle

\* Does not include O-Rings



**APPLIED  
ELECTRONIC  
SYSTEMS**

a **Sondex** company

[www.aesla.com](http://www.aesla.com)

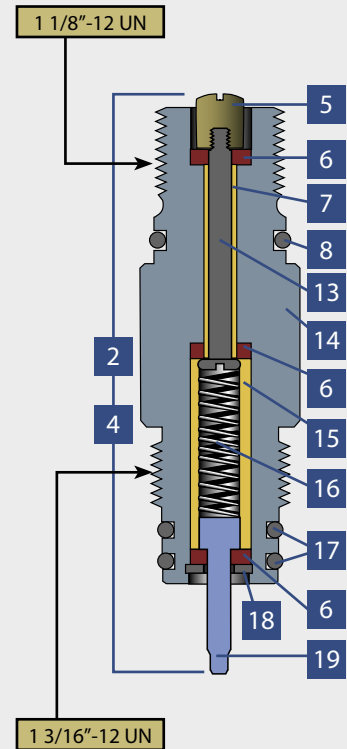
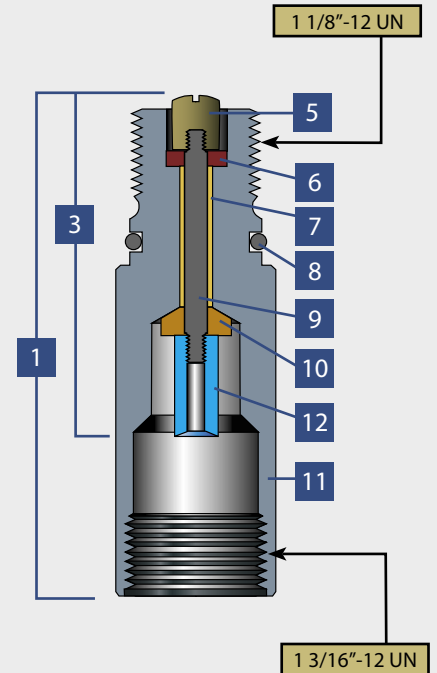
ADA0-31

# ADAPTOR COMPONENTS

## 1 3/8" Atlas Pin To 1 3/8" GO Box & 1 3/8" Atlas Pin To 1 3/8" GO Pin

Ref.	Part No.	Description
1	AS4-0021	1 3/8" Atlas Pin to 1 3/8" GO Box Assy
2	AS4-0008	1 3/8" Atlas Pin to 1 3/8" GO Pin Assy
3	KIT-4-0021	Complete Kit Assembly *
4	KIT-4-0008	Complete Kit Assembly *
5	1.375-0120	Atlas Contact
6	1.-0041	Insulating Washer
7	BOO-0032	Insulating Sleeve
8	000-0213	O-Rings: 213
9	1.375-451	10-32 Contact Rod 1 7/8" Lg.
10	1.-0086	Beveled Insulating Washer
11	1.375-0038	Contact Sub Assembly
12	1.-0087-A	10-32 Contact Receptacle
13	HOO-0095	10-32 Contact Rod
14	1.-375-0119	Contact Sub Body
15	1.-0042	Contact Insulator
16	1.-0037	Contact Spring
17	000-0211	O-Rings: 211
18	HOO-0065	Retainer Ring
19	1.-0033	Contact Plunger

\* Does not include O-Rings



**APPLIED  
ELECTRONIC  
SYSTEMS**

a **Sondex** company  
[www.aesla.com](http://www.aesla.com)

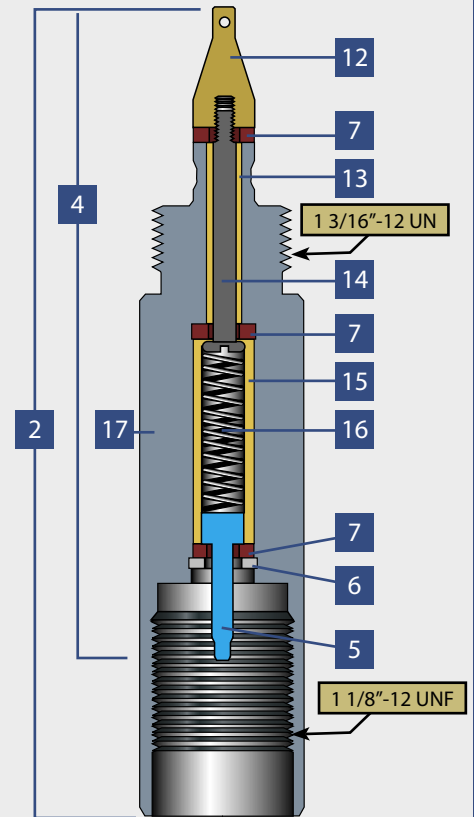
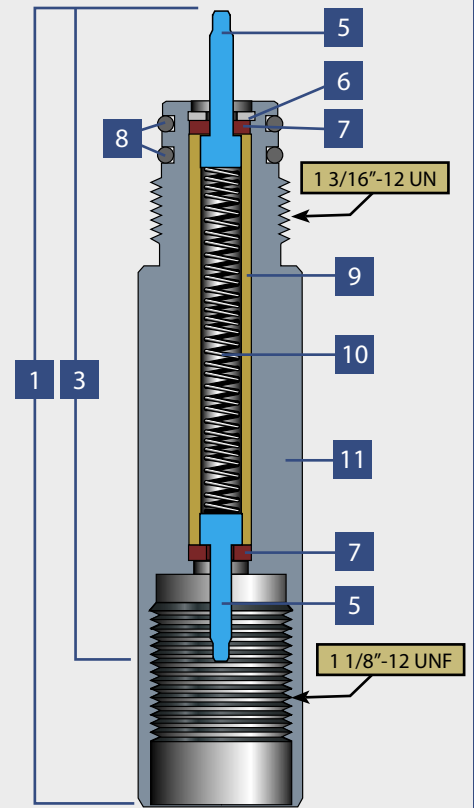
ADA0-32

# ADAPTOR COMPONENTS

## 1 3/8" Atlas Box To 1 3/8" GO Pin & 1 3/8" Tear Drop To 1 3/8" Atlas Box

Ref.	Part No.	Description
1	AS4-0010	1 3/8" Atlas Box to 1 3/8" GO Pin Assy
2	AS4-0011	1 3/8" Tear Drop to 1 3/8" Atlas Box Assy
3	KIT-4-0010	Complete Kit Assembly *
4	KIT-4-0011	Complete Kit Assembly *
5	1.-0033	Contact Plunger
6	HOO-0065	Retainer Ring
7	1.-0041	Insulating Washer
8	000-0211	O-Rings: 211
9	1.-0124	Contact Insulator
10	1.-0037-1	Contact Spring
11	1.375-0114	Contact Sub Body
12	1.375-0030	10-32 Cone Nut
13	BOO-0032	Insulating Sleeve
14	HOO-0095	10-32 Contact Rod
15	1.-0042	Contact Insulator
16	1.-0037	Contact Spring
17	1.375-0124	Contact Sub Body

\* Does not include O-Rings



**APPLIED  
ELECTRONIC  
SYSTEMS**

a **Sondex** company  
[www.aesla.com](http://www.aesla.com)

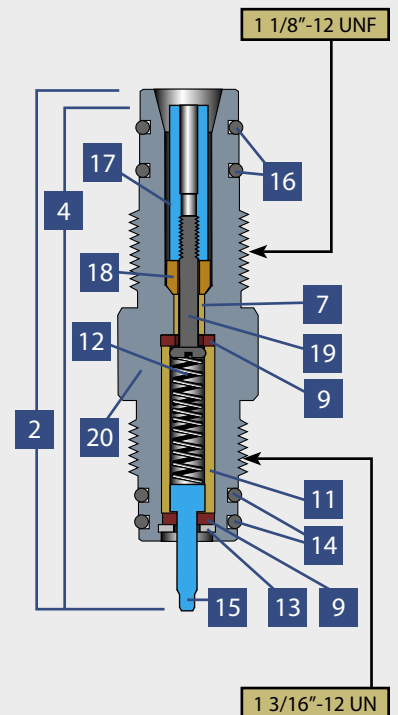
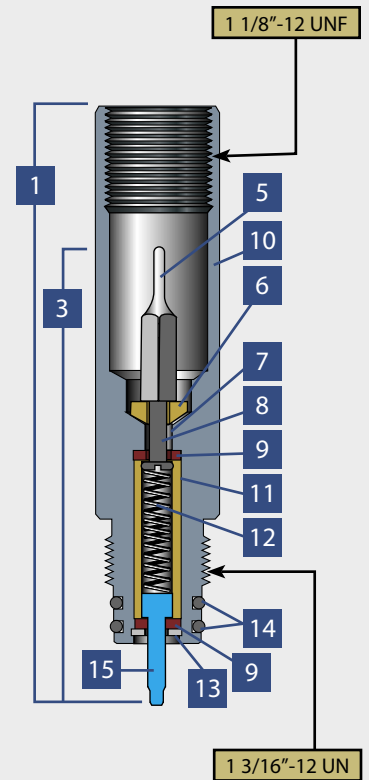
ADA0-33

# ADAPTOR COMPONENTS

## 1 3/8" Schlumberger Box To 1 3/8" GO Pin & 1 3/8" Schlumberger Pin To 1 3/8" GO Pin

Ref.	Part No.	Description
1	AS4-0012	1 3/8" Schlumberger Box to 1 3/8" GO Pin Assy
2	AS4-0052	1 3/8" Schlumberger Pin to 1 3/8" GO Pin Assy
3	KIT-4-0012	Complete Kit Assy *
4	KIT-4-0052	Complete Kit Assy *
5	1.437-0039	10-32 Schlumberger Contact
6	1.-0086	Beveled Insulating Washer
7	BOO-0032	Insulating Sleeve
8	HOO-0097	10-32 Contact Rod
9	1.-0041	Insulating Washer
10	1.-375-0256	Contact Sub Body
11	1.-0042	Contact Insulator
12	1.-0037	Contact Spring
13	HOO-0065	Retainer Ring
14	000-0211	O-Rings: 211
15	1.-0033	Contact Plunger
16	000-0210	O-Rings: 210
17	PSA-014	Contact Assembly
18	1.375-0172	Contact Insulator
19	HOO-0137	10-32 Contact Rod
20	1.375-0220	Contact Sub Body

\* Does not include O-Rings



**APPLIED  
ELECTRONIC  
SYSTEMS**

a **Sondex** company  
[www.aesla.com](http://www.aesla.com)

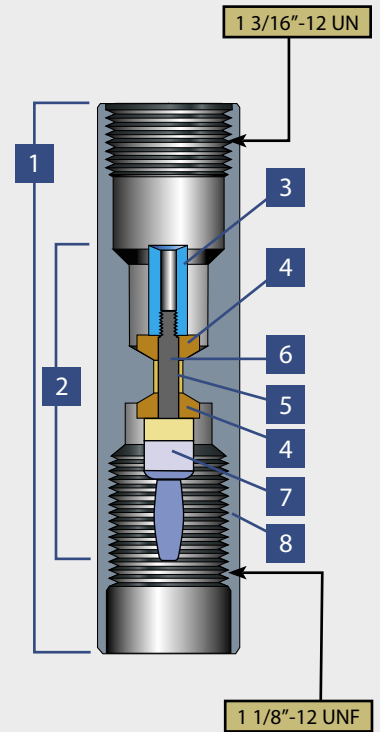
ADA0-34

# ADAPTOR COMPONENTS

## 1 3/8" GO Box to 1 3/8" McCullough Box

Ref.	Part No.	Description
1	AS4-0013	1 3/8" GO Box to 1 3/8" McCullough Box Assy
2	KIT-4-0013	Complete Kit Assy *
3	1.-0087A	10-32 Contact Receptacle
4	1.-0086	Beveled Insulating Washer
5	BOO-0032	Insulating Sleeve
6	1.375-0432	10-32 Contact Rod
7	CON-0033	10-32 Banana Plug
8	1.375-0086	Contact Sub Body

\* Does not include O-Rings



**APPLIED  
ELECTRONIC  
SYSTEMS**

a **Sondex** company  
[www.aesla.com](http://www.aesla.com)

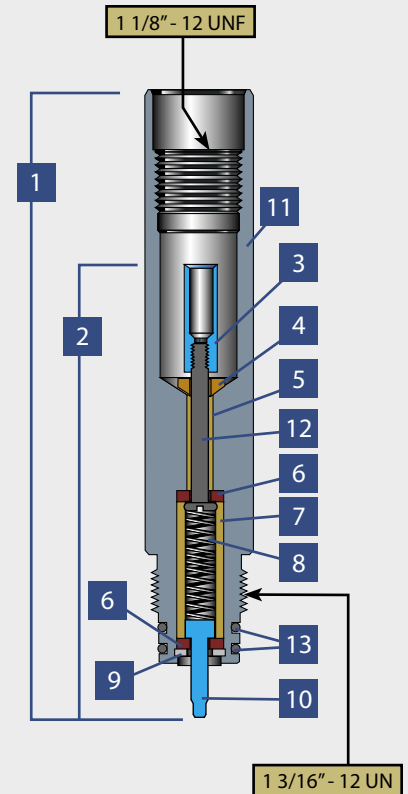
ADA0-35

# ADAPTOR COMPONENTS

## 1 3/8" SIE Box to 1 3/8" GO Box

Ref.	Part No.	Description
1	AS4-0031	1 3/8" SIE Box to 1 3/8" GO Box Assy
2	KIT-4-0031	Complete Kit Assy *
3	1.375-0157	10-32 SIE Contact Receptacle
4	1.-0086	Beveled Insulating Washer
5	BOO-0032	Insulating Sleeve
6	1.-0041	Insulating Washer
7	1.-0042	Contact Insulator
8	1.-0037	Contact Spring
9	HOO-0065	Retainer Ring
10	1.-0033	Contact Plunger
11	1.375-0155	Contact Sub Body
12	HOO-0095	10-32 Contact Rod
13	000-0211	O-Rings: 211

\* Does not include O-Rings



**APPLIED  
ELECTRONIC  
SYSTEMS**

a **Sondex** company  
[www.aesla.com](http://www.aesla.com)

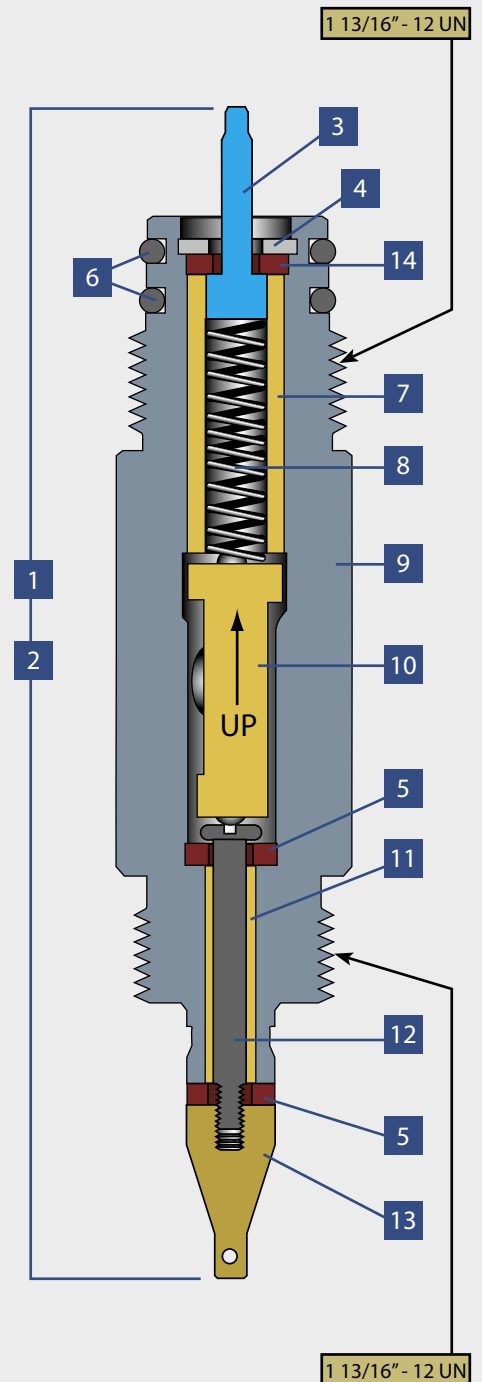
ADA0-36

# ADAPTOR COMPONENTS

## 1 3/8" Combination Diode

Ref.	Part No.	Description
1	AS4-0035	1 3/8" Combination Diode Complete Assy
2	KIT-4-0035	Complete Kit Assy *
3	1.-0033	Contact Plunger
4	HOO-0181	Retainer Ring
5	0.500-0005HT	Insulating Washer
6	00V-0211-95	O-Rings: 211
7	1.-0235	Contact Insulator
8	1.-0037	Contact Spring
9	1.375-0026	Contact Sub Body
10	PSA-029	Diode Cartridge Assy
11	BOO-0032	Insulating Sleeve
12	HOO-0096	10-32 Contact Rod
13	1.375-0030	10-32 Cone Receptacle
14	1.-0234	Insulating Washer

\* Does not include O-Rings



**APPLIED  
ELECTRONIC  
SYSTEMS**

a **Sondex** company  
[www.aesla.com](http://www.aesla.com)

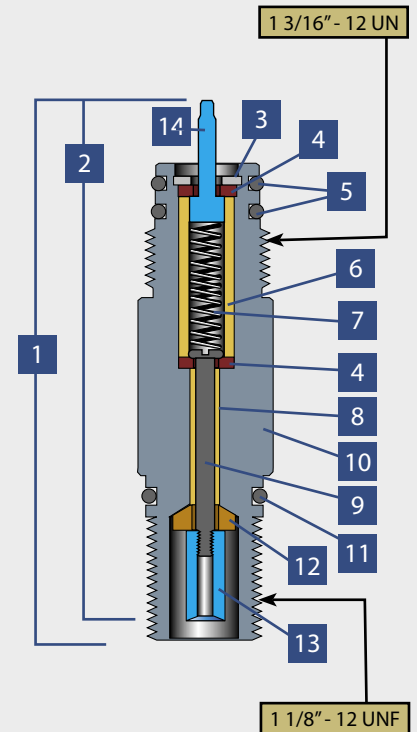
ADA0-37

# ADAPTOR COMPONENTS

## 1 3/8" GO Pin to 1 3/8" McCullough Pin

Ref.	Part No.	Description
1	AS4-0039	1 3/8" GO Pin to 1 3/8" McCullough Pin Assy
2	KIT-4-0006	Complete Kit Assy *
3	HOO-0065	Retainer Ring
4	1.-0041	Insulating Washer
5	000-0211	O-Rings: 211
6	1.-0042	Contact Insulator
7	1.-0037	Contact Spring
8	BOO-0032	Insulating Sleeve
9	HOO-0095	10-32 Contact Rod
10	1.375-0186	Contact Sub Body
11	000-0213	O-Rings: 213
12	1.-0086	Beveled Insulating Washer
13	1.375-0102	10-32 Contact Recptacle
14	1.-0033	Contact Plunger

\* Does not include O-Rings



**APPLIED  
ELECTRONIC  
SYSTEMS**

a **Sondex** company

[www.aesla.com](http://www.aesla.com)

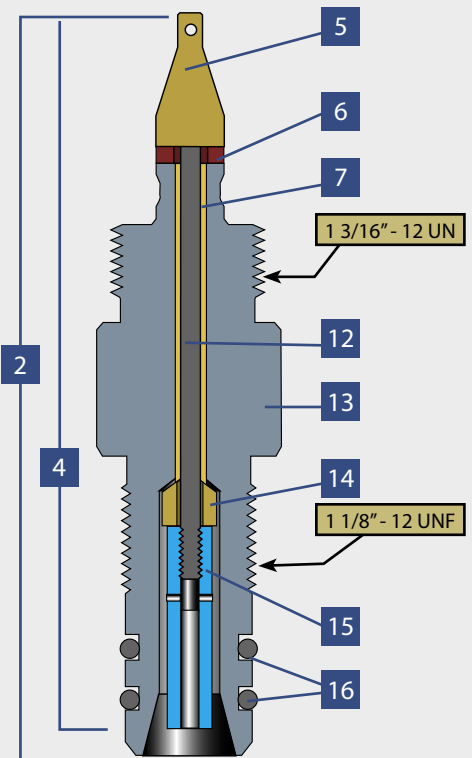
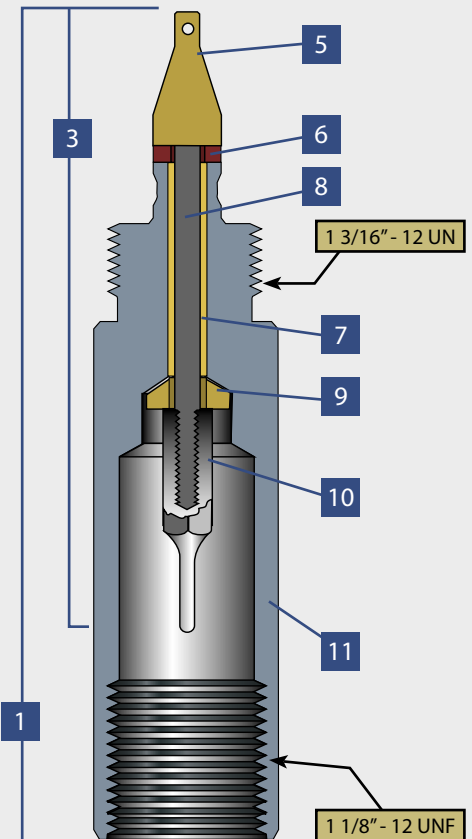
ADA0-38

# ADAPTOR COMPONENTS

## 1 3/8" Schlumberger Box To 1 3/8" Tear Drop & 1 3/8" Schlumberger Pin To 1 3/8" Tear Drop

Ref.	Part No.	Description
1	AS4-0048	1 3/8" Schlumberger Box to 1 3/8" Tear Drop Sub Assy
2	AS4-0049	1 3/8" Schlumberger Pin to 1 3/8" Tear Drop Sub Assy
3	KIT-4-0048	Complete Kit Assy *
4	KIT-4-0049	Complete Kit Assy *
5	1.375-0030	10-32 Cone Nut
6	1.-0041	Insulating Washer
7	BOO-0032	Insulating Sleeve
8	1.375-0436	10-32 Contact Rod
9	1.-0086	Beveled Insulating Washer
10	1.437-0039	Contact Plunger
11	1.375-0218	Contact Sub Body
12	1.375-0219	10-32 Contact Rod
13	1375-0219	Contact Sub Body
14	1.375-0172	Contact Insulator
15	PSA-014	Pre-Sub Assembly Contact
16	000-0210	O-Rings: 210

\* Does not include O-Rings



**APPLIED  
ELECTRONIC  
SYSTEMS**

a **Sondex** company  
[www.aesla.com](http://www.aesla.com)

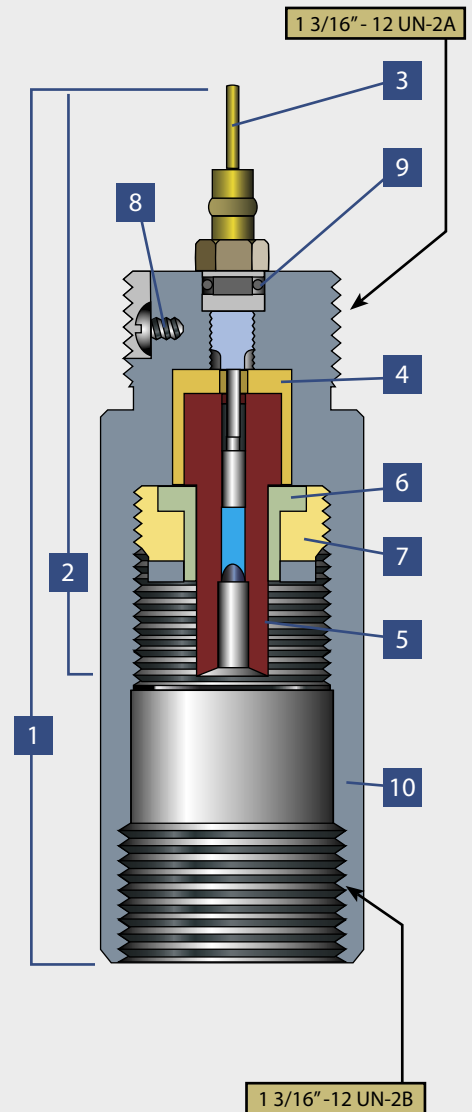
ADA0-39

# ADAPTOR COMPONENTS

## 1 3/8" GO Box/Tear Drop With Pressure Connector & Ground Screw

Ref.	Part No.	Description
1	AS4-0103	1 3/8" GO Box / Tear Drop w/Pressure Connector & Ground Screw
2	KIT-4-0103	Complete Kit Assy *
3	CON-0012-A	Pressure Connector
4	3005	Contact Insulator
5	3006	Brass Contact
6	3007	Insulator
7	3029-1	Retainer Ring
8	HOO-0094	6-32 X 3/16 Pan Head Screw S/S
9	000-0008	O-Ring: 008
10	1.375-0515	1 3/8" GO Box / Tear Drop w/Pressure Connector

\* Does not include O-Rings



**APPLIED  
ELECTRONIC  
SYSTEMS**

a **Sondex** company  
[www.aesla.com](http://www.aesla.com)

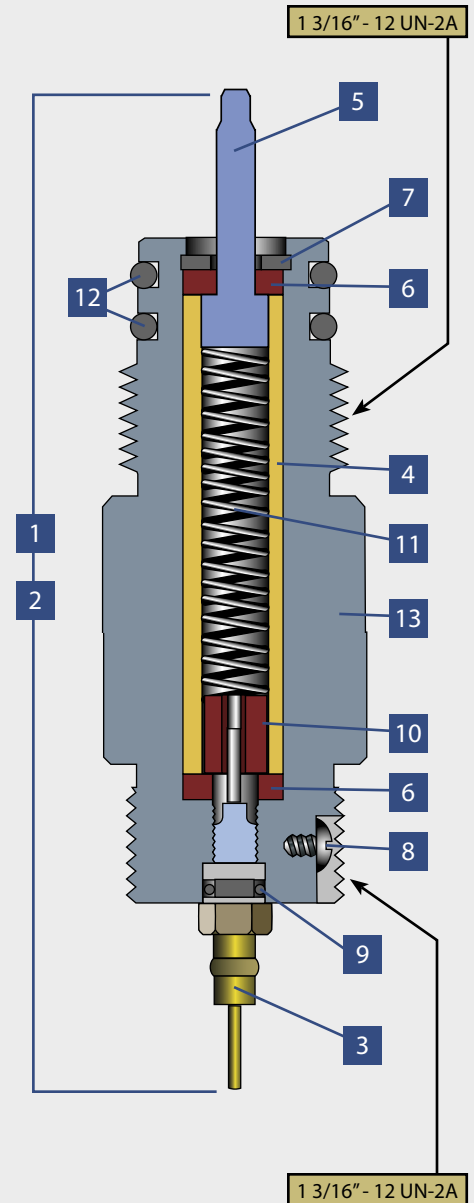
ADA0-40

# ADAPTOR COMPONENTS

## 1 3/8" GO Pin/Tear Drop With Pressure Connector & Ground Screw

Ref.	Part No.	Description
1	AS4-0104	1 3/8" GO Pin / Tear Drop w/Pressure Connector & Ground Screw
2	KIT-4-0104	Complete Kit Assy *
3	CON-0012-A	Pressure Connector
4	2493	Contact Insulator
5	1.0033	Brass Plunger
6	1.0041	Insulator
7	HOO-0065	Retainer Ring
8	HOO-0094	6-32 X 3/16" Pan Head Screw S/S
9	000-0008	O-Ring: 008
10	PSA-024	Contact
11	1.0037	Spring
12	000-0211	O-Ring: 211
13	1.375-0516	1 3/8" Tear Drop w/Pressure Connector

\* Does not include O-Rings



**APPLIED  
ELECTRONIC  
SYSTEMS**

a **Sondex** company  
[www.aesla.com](http://www.aesla.com)

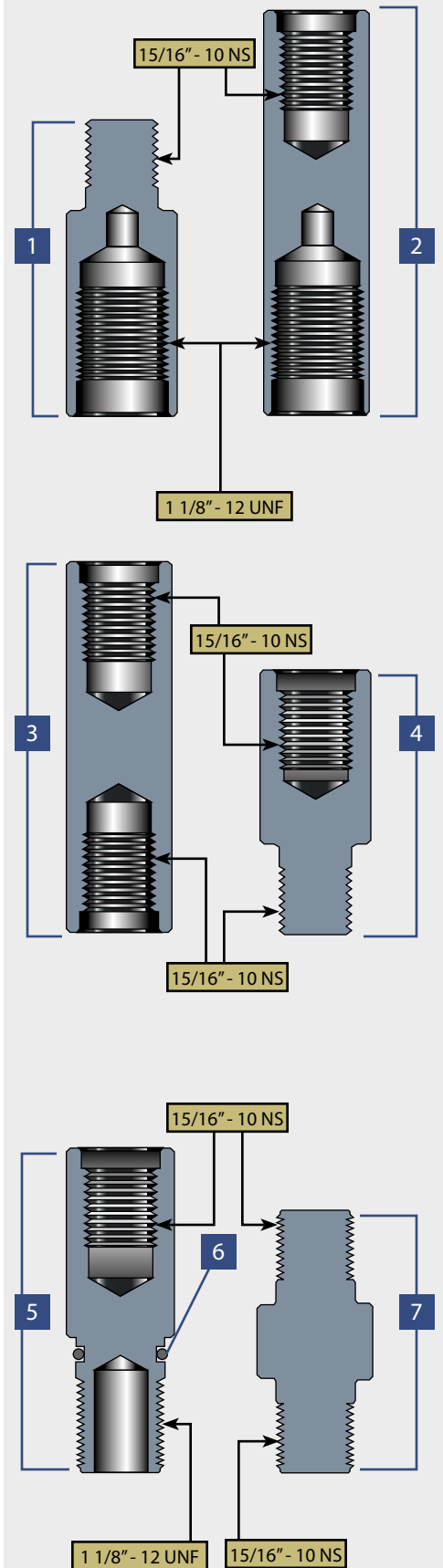
ADA0-41

# ADAPTOR COMPONENTS

- 5/8" Sucker Rod Pin To 1 3/8" Atlas Box
- 5/8" Sucker Rod Box To 1 3/8" Atlas Box
- 5/8" Sucker Rod Double Box
- 5/8" Sucker Rod Box To 5/8" Sucker Rod Pin
- 5/8" Sucker Rod Box To 1 3/8" McCullough Pin
- 5/8" Double Sucker Rod Pin

Ref.	Part No.	Description
1	AS4-0028	5/8" Sucker Rod Pin to 1 3/8" Atlas Box
2	AS4-0029	5/8" Sucker Rod Box to 1 3/8" Atlas Box
3	AS4-0037	5/8" Sucker Rod Double Box
4	AS4-0038	5/8" Sucker Rod Box to 5/8" Sucker Rod Pin
5	AS4-0040	5/8" Sucker Rod Box to 1 3/8" McCullough Pin
6	000-0213	O-Rings: 213
7	AS4-0093	5/8" Double Sucker Rod Pin

Note: All sucker rod threads are 15/16 - 10 NS



**APPLIED  
ELECTRONIC  
SYSTEMS**

a **Sondex** company  
www.aesla.com

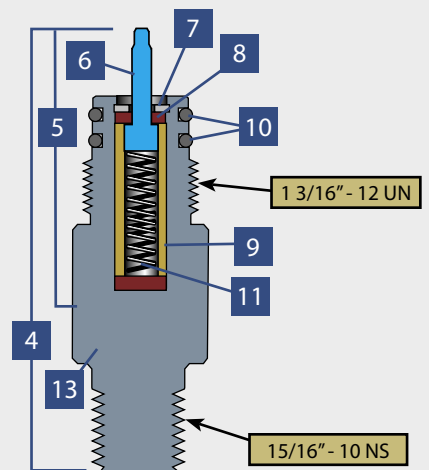
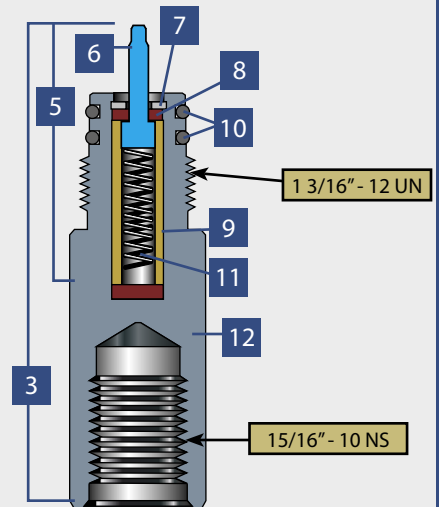
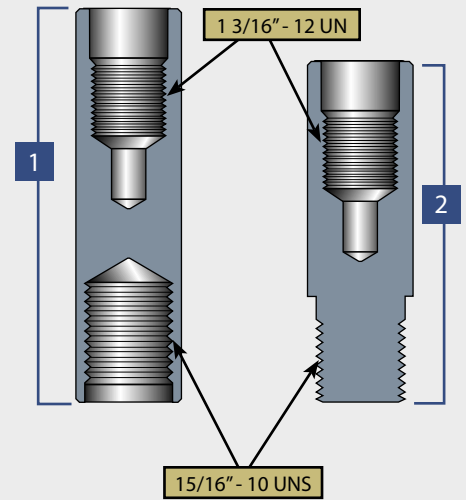
ADA0-42

# ADAPTOR COMPONENTS

- 5/8" Sucker Rod Box to 1 3/8" GO Box
- 5/8" Sucker Rod Pin to 1 3/8" GO Box
- 5/8" Sucker Rod Box to 1 3/8" GO Pin
- 5/8" Sucker Rod Pin to 1 3/8" GO Pin

Ref.	Part No.	Description
1	AS4-0023	5/8" Sucker Rod Box to 1 3/8" GO Box Assembly
2	AS4-0024	5/8" Sucker Rod Pin to 1 3/8" GO Box Assembly
3	AS4-0025	5/8" Sucker Rod Box to 1 3/8" GO Pin Assembly
4	AS4-0044	5/8" Sucker Rod Pin to 1 3/8" GO Pin Assembly
5	KIT-4-0025	Complete Kit Assembly *
6	1.-0033	Contact Plunger
7	HOO-0065	Retainer Ring
8	1.-0041	Insulating Washer
9	1.-0042	Contact Insulator
10	000-0211	O-Rings: 211
11	1.-0037	Contact Spring
12	1.375-0121	Contact Sub Body
13	1.375-0214	Contact Sub Body

\* Does not include O-Rings



**APPLIED  
ELECTRONIC  
SYSTEMS**

a **Sondex** company  
[www.aesla.com](http://www.aesla.com)

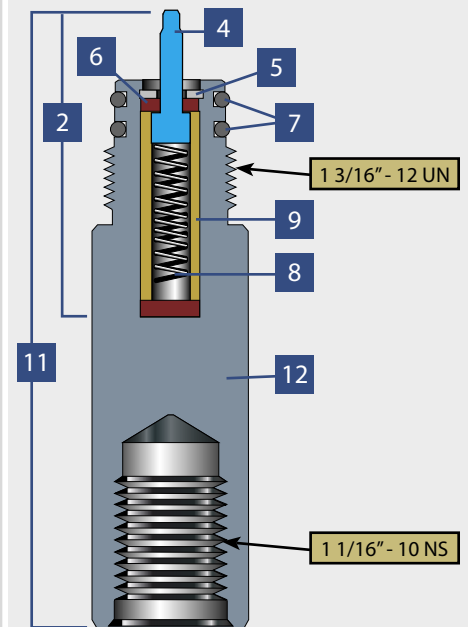
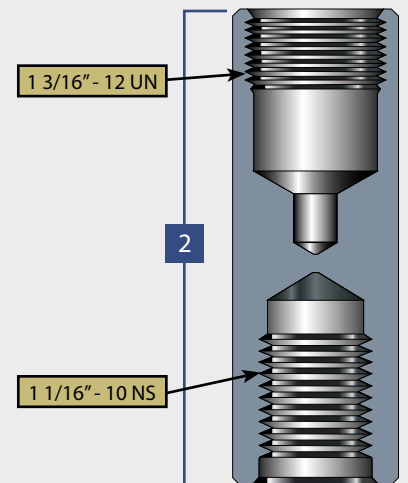
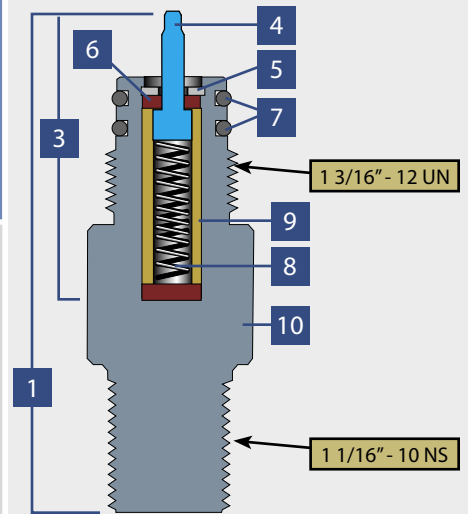
ADA0-43

# ADAPTOR COMPONENTS

3/4" Sucker Rod Pin To 1 3/8" GO Pin  
 3/4" Sucker Rod Box To 1 3/8" Box Pin  
 3/4" Sucker Rod Box To 1 3/8" GO Pin

Ref.	Part No.	Description
1	AS8-0002	3/4" Sucker Rod Pin to 1 3/8" GO Pin Assembly
2	AS8-0003	3/4" Sucker Rod Box to 1 3/8" Box Pin Assembly
3	KIT-3-0006	Complete Kit Assembly *
4	1.-0033	Contact Plunger
5	HOO-0065	Retainer Ring
6	1.-0041	Insulating Washer
7	000-0211	O-Rings: 211
8	1.-0037	Contact Spring
9	1.-0042	Contact Insulator
10	1.500-0058	Contact Sub Body
11	AS8-0006	3/4" Sucker Rod Box to 1 3/8" GO Pin Assembly
12	1.375-0506	Contact Sub Body

\*Does not include O-Rings.



**APPLIED  
ELECTRONIC  
SYSTEMS**

a **Sondex** company  
[www.aesla.com](http://www.aesla.com)

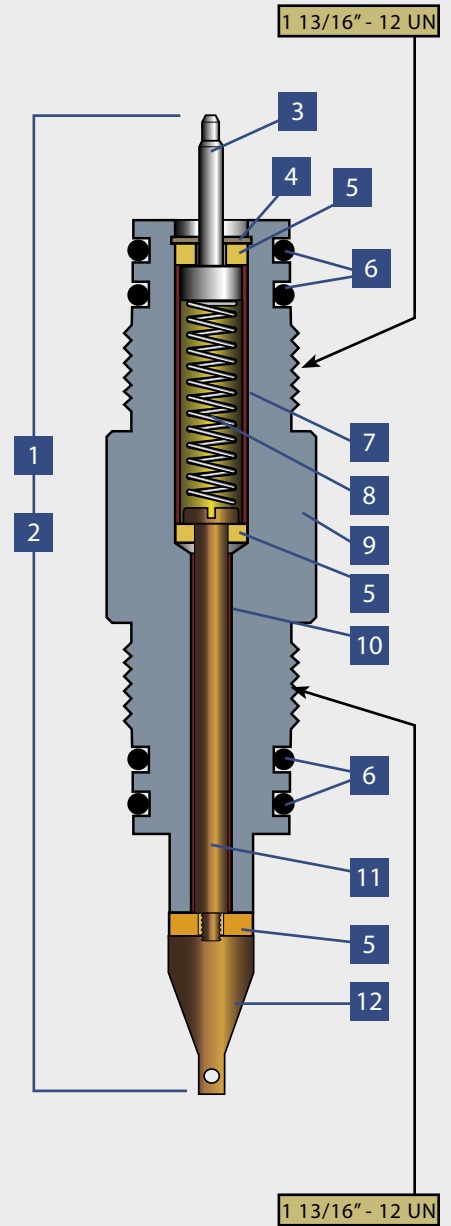
ADA0-44

# ADAPTOR COMPONENTS

## 1 7/16" AES Double Sealed Tear Drop

Ref.	Part No.	Description
1	AS5-0028	AES 1 7/16" Double Sealed Tear Drop Complete Assy
2	KIT-4-0028	Complete Kit Assembly *
3	1.-0033	Contact Plunger
4	HOO-0065	Retainer Ring
5	1.-0041	Insulating Washer
6	000-0211	O-Rings: 211
7	1.-0042	Contact Insulator
8	1.-0037	Contact Spring
9	1.437-0111	1 7/16" Contact Sub Body
10	BOO-0032	Insulating Sleeve
11	HOO-252	Contact Rod
12	1.375-0030	10-32 Cone Receptacle

\* Does not include O-Rings



**APPLIED  
ELECTRONIC  
SYSTEMS**

a **Sondex** company  
[www.aesla.com](http://www.aesla.com)

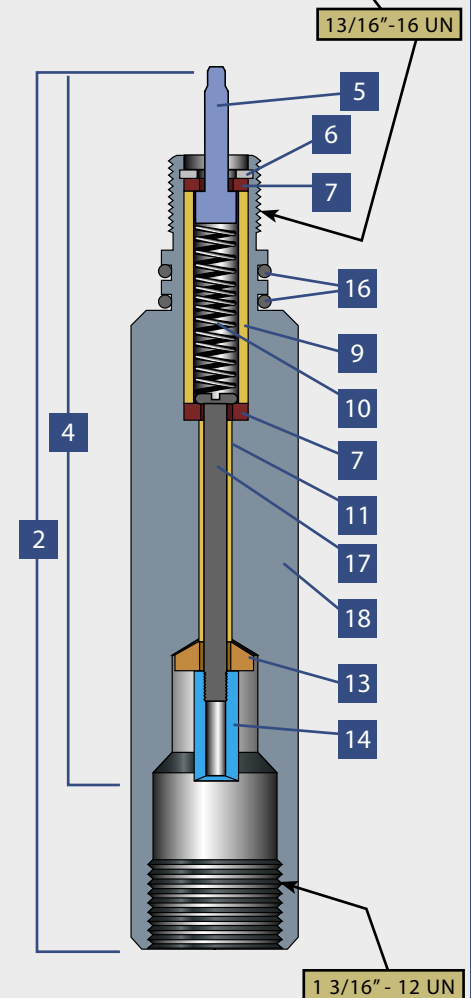
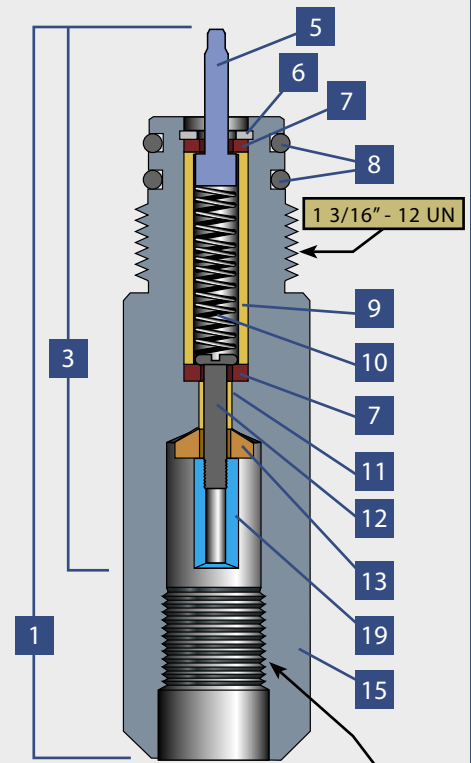
ADA0-45

# ADAPTOR COMPONENTS

## 1 7/16" GO Pin To 1" GO Box & 1 7/16" GO Box To 1" GO Pin

Ref.	Part No.	Description
1	AS5-0001	1 7/16" GO Pin to 1" GO Box Assy
2	AS5-0007	1 7/16" GO Box to 1" GO Pin Assy
3	KIT-5-0001	Complete Kit Assy *
4	KIT-5-0007	Complete Kit Assy *
5	1.-0033	Contact Plunger
6	HOO-0065	Retainer Ring
7	1.-0041	Insulating Washer
8	000-0211	O-Ring: 211
9	1.-0042	Contact Insulator
10	1.-0037	Contact Spring
11	BOO-0032	Insulating Sleeve
12	HOO-0099	10-32 Contact Rod
13	1.-0086	Beveled Insulating Washer
14	1.-0087A	10-32 Contact Receptacle
15	1.-0066	Contact Sub Body
16	000-0115	O-Ring: 115
17	HOO-0195	10-32 Contact Rod
18	1.375-0078	Contact Sub Body
19	1.-0087-B	10-32 Contact Receptacle

\* Does not include O-Rings



**APPLIED  
ELECTRONIC  
SYSTEMS**

a **Sondex** company  
[www.aesla.com](http://www.aesla.com)

ADA0-46

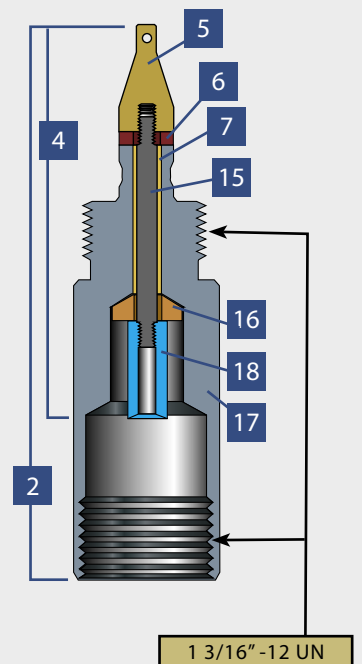
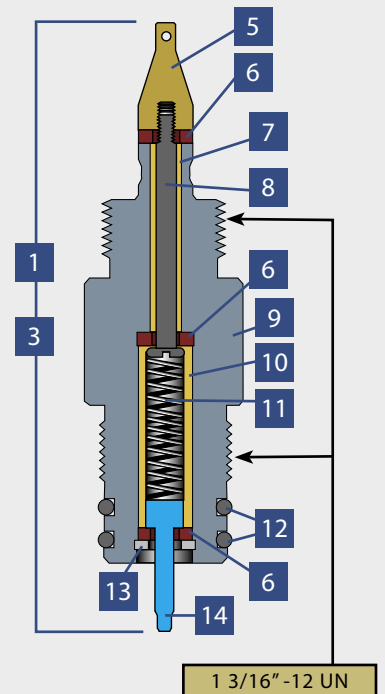
# ADAPTOR COMPONENTS

## 1 7/16" AES Tear Drop Sub

Ref.	Part No.	Description
1	AS5-0014	AES 1 7/16" Tear Drop Sub Complete Assy**
2	AS5-0029	AES 1 7/16" Tear Drop Sub to 1 3/8" GO Box Assy
3	KIT-5-0014	Complete Kit Assy *
4	KIT-5-0029	Complete Kit Assy *
5	1.375-0030	10-32 Cone Nut
6	1.-0041	Insulating Washer
7	BOO-0032	Insulating Sleeve
8	HOO-0095	10-32 Contact Rod
9	1.437-0051	Contact Sub Body
10	1.-0042	Contact Insulator
11	1.-0037	Contact Spring
12	000-0211	O-Rings: 211
13	HOO-0065	Retainer Ring
14	1.-0033	Contact Plunger
15	1.375-0431	10-32 Contact Rod
16	1.-0086	Beveled Insulating Washer
17	1.375-0371	Contact Sub Body
18	1.-0087A	10-32 Contact Receptacle

\* Does not include O-Rings

\*\* AS5-0014 HA 1 7/16" Tear Drop High Amp



**APPLIED  
ELECTRONIC  
SYSTEMS**

a **Sondex** company  
[www.aesla.com](http://www.aesla.com)

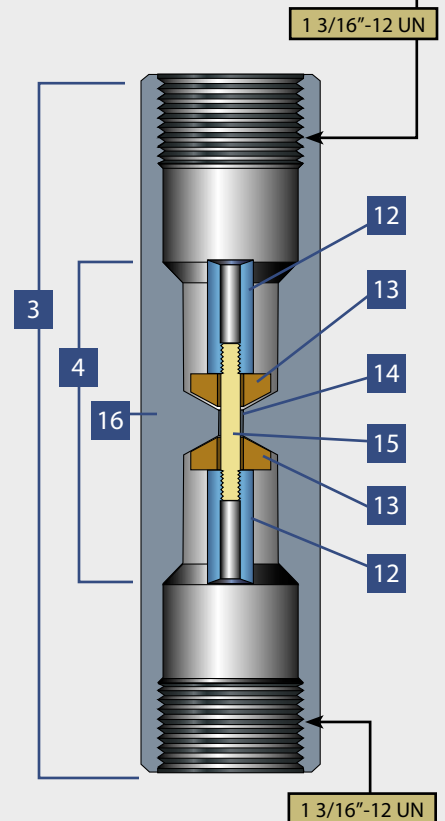
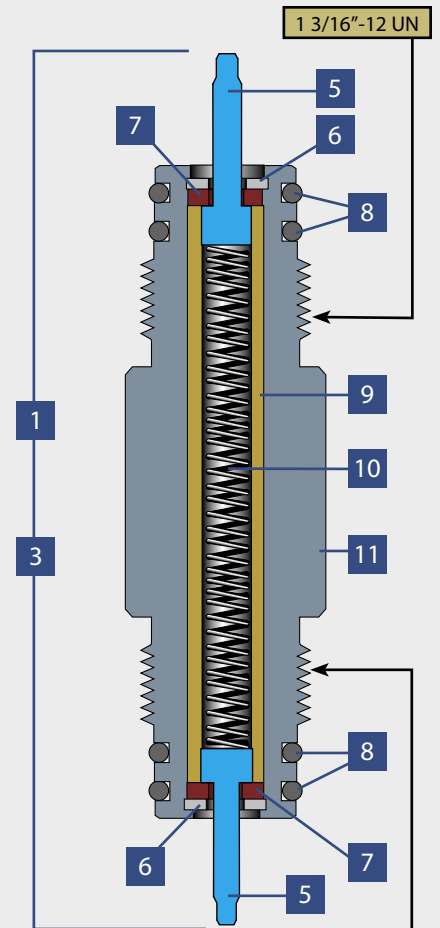
ADA0-47

# ADAPTOR COMPONENTS

## 1 7/16" GO Double Pin & 1 7/16" GO Double Box

Ref.	Part No.	Description
1	AS5-0025	1 7/16" GO Double Pin Assy
2	AS5-0026	1 7/16" GO Double Box Assy
3	KIT-4-0005	Complete Kit Assy *
4	KIT-4-0022	Complete Kit Assly *
5	1.-0033	Contact Plunger
6	HOO-0065	Retainer Ring
7	1.-0041	Insulating Washer
8	000-0211	O-Rings: 211
9	1.-0028	Contact Insulator
10	1.-0037-1	Contact Spring
11	1.437-0051	Contact Sub Body
12	1.-0087A	10-32 Contact Receptacle
13	1.-0086	Beveled Insulating Washer
14	BOO-0032	Insulating Sleeve
15	1.375-0433	10-32 Contact Rod
16	1.437-0088	Contact Sub Body

\* Does not include O-Rings



**APPLIED  
ELECTRONIC  
SYSTEMS**

a **Sondex** company  
[www.aesla.com](http://www.aesla.com)

ADA0-48

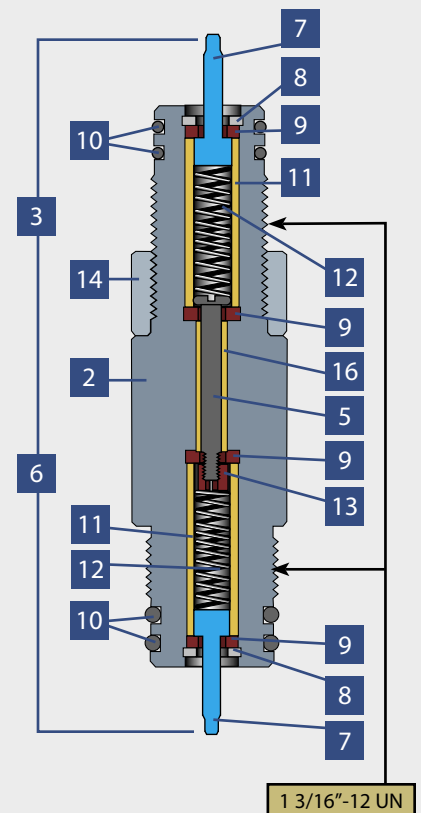
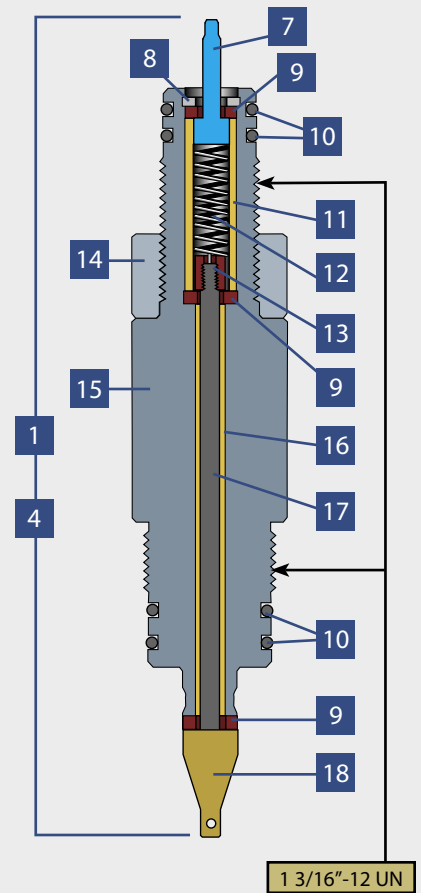
# ADAPTOR COMPONENTS

1 7/16" Double Sealed Tear Drop With  
Adjustment Ring

1 7/16" GO Double Pin Sub With  
Adjustment Ring

Ref.	Part No.	Description
1	AS5-0030	1 7/16" Double Sealed Tear Drop w/Adjustment Ring
2	1.437-0095	Contact Sub Body
3	AS5-0031	1 7/16" GO Double Pin Sub w/Adjustment Ring
4	KIT-5-0030	Complete Kit Assy *
5	HOO-0096	Contact Sub Body
6	KIT-5-0031	Complete Kit Assy *
7	1.-0033	Contact Plunger
8	HOO-0065	Retainer Ring
9	1.-0041	Insulating Washer
10	000-0211	O-Rings: 211
11	1.-0042	Contact Insulator
12	1.-0037	Contact Spring
13	1.375-0081	10-32 Spacer Contact
14	1.437-0080	1 7/16" Adjustment Ring
15	1.437-0094	Contact Sub Body
16	BOO-0032	Insulating Sleeve
17	1.375-0249	10-32 Contact Rod
18	1.375-0030	10-32 Cone Nut

\* Does not include O-Rings



**APPLIED  
ELECTRONIC  
SYSTEMS**

a **Sondex** company  
www.aesla.com

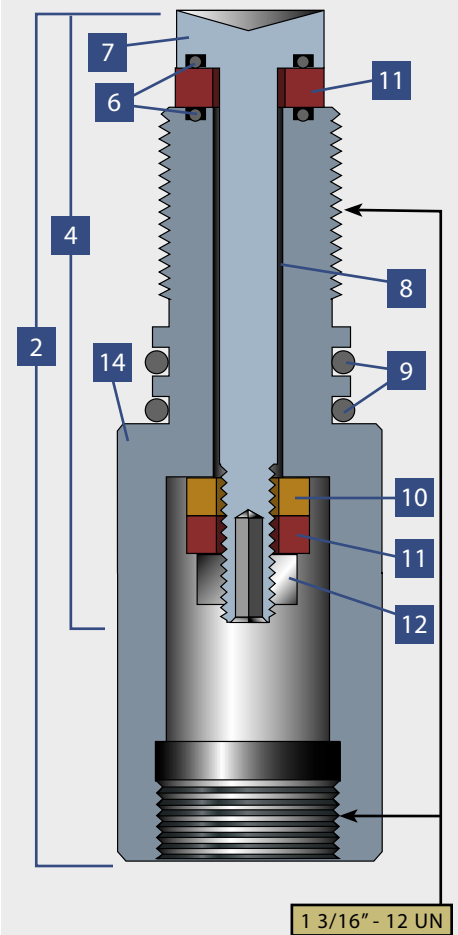
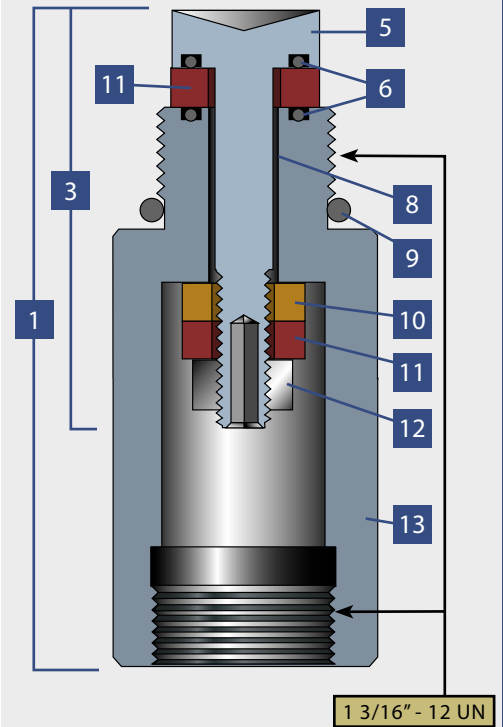
ADA0-49

# ADAPTOR COMPONENTS

## 1 1/2" GO Low Pressure Firing Sub & 1 1/2" GO High Pressure Firing Sub

Ref.	Part No.	Description
1	AS8-0001	1 1/2" GO Low Pressure Firing Sub Assy
2	AS8-0005	1 1/2" GO High Pressure Firing Sub Assy
3	KIT-8-0001	Complete Kit Assy *
4	KIT-8-0005	Complete Kit Assy *
5	1.500-0006	GO Firing Sub Contact
6	000-0114	O-Rings: 114
7	1.500-0045	GO Firing Sub Contact
8	BOO-0032	Insulating Sleeve
9	000-0214	O-Rings: 214
10	1.500-0007	Viton Rubber Washer
11	1.500-0008	Insulating Washer
12	HOO-0138	Hex Nut
13	1.500-0004	Low Pressure Firing Sub Body
14	1.500-0044	High Pressure Firing Sub Body

\*Does not include O-Rings.



**APPLIED  
ELECTRONIC  
SYSTEMS**

a **Sondex** company  
[www.aesla.com](http://www.aesla.com)

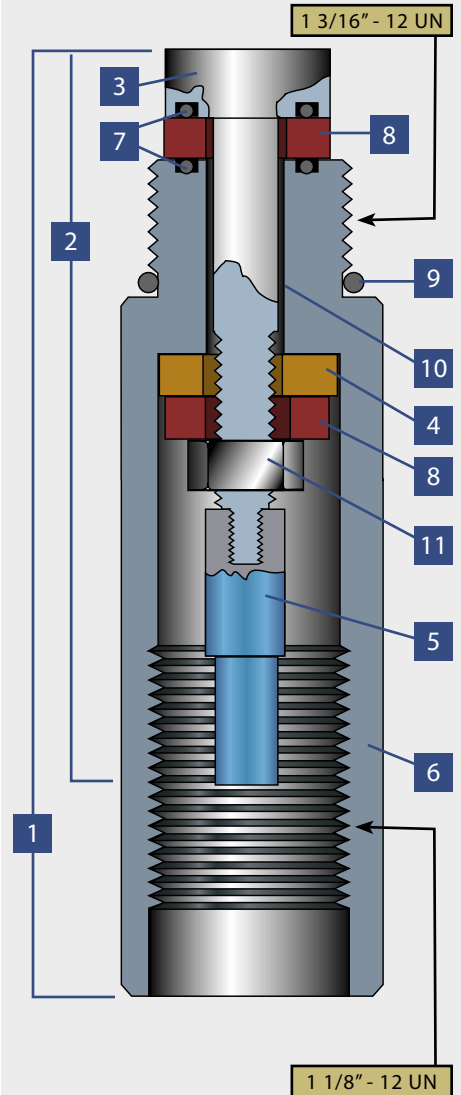
ADA0-50

# ADAPTOR COMPONENTS

## 1 1/2" GO Firing Sub To Atlas Sub

Ref.	Part No.	Description
1	AS8-0007	1 1/2" GO Firing Sub to Atlas Sub Complete Assy
2	KIT-8-0007	Complete Kit Assy *
3	1.500-0022	Firing Sub Contact
4	1.500-0007	Viton Rubber Shock Washer
5	PSA-015	Spring-Loaded Plunger
6	1.500-0042	Contact Sub Body
7	000-0114	O-Rings: 114
8	1.500-0008	Insulating Washer
9	000-0214	O-Rings: 214
10	BOO-0097	Insulating Sleeve
11	HOO-0138	3/8" -16 Nut

\*Does not include O-Rings.



**APPLIED  
ELECTRONIC  
SYSTEMS**

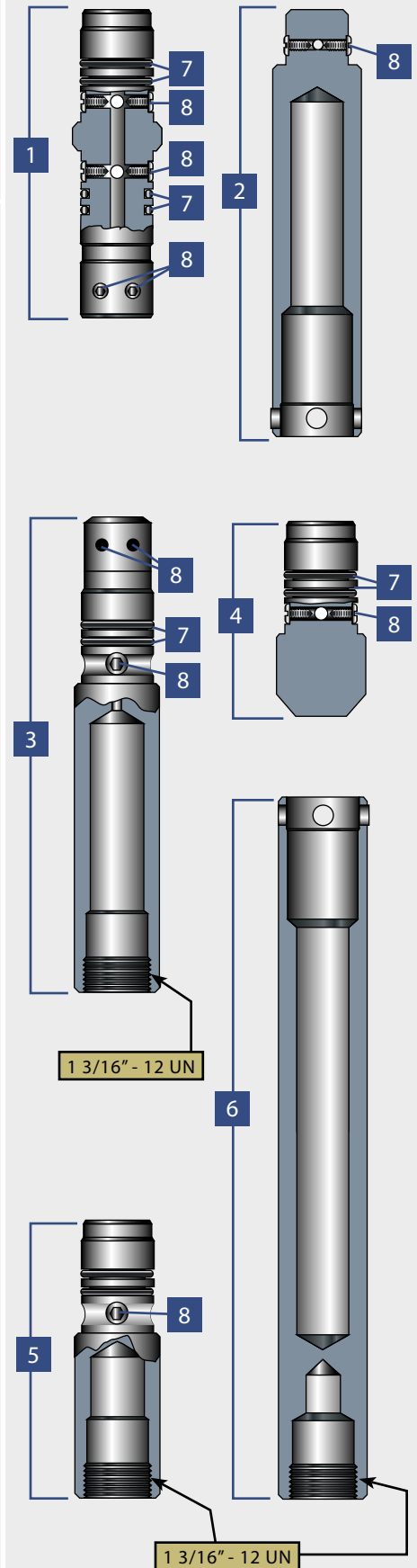
a **Sondex** company  
[www.aesla.com](http://www.aesla.com)

ADA0-51

# ADAPTOR COMPONENTS

- 1 9/16" RTG Tandem Sub
- 1 9/16" RTG Bottom Sub Adapter
- 1 9/16" RTG Top Sub
- 1 9/16" RTG Bull Plug
- 1 9/16" Lower Decentralizer Adapter
- 1 9/16" Lower Blast Sub

Ref.	Part No.	Description
1	AS6-0045	1 9/16" RTG Tandem Sub Complete Assembly
2	AS6-0047	1 9/16" RTG Bottom Sub Adapter Complete Assembly
3	AS6-0046	1 9/16" RTG Top Sub Complete Assembly
4	AS6-0048	1 9/16" RTG Bull Plug Complete Assembly
5	AS6-0049	1 9/16" Lower Decentralizer Adapter Assembly
6	AS6-0071	1 9/16" Lower Blast Sub
7	000-0214	O-Rings: 214
8	H00-0273	1/4-20 X 1/4" Socket Head Cap Screw



**APPLIED  
ELECTRONIC  
SYSTEMS**

a **Sondex** company  
www.aesla.com

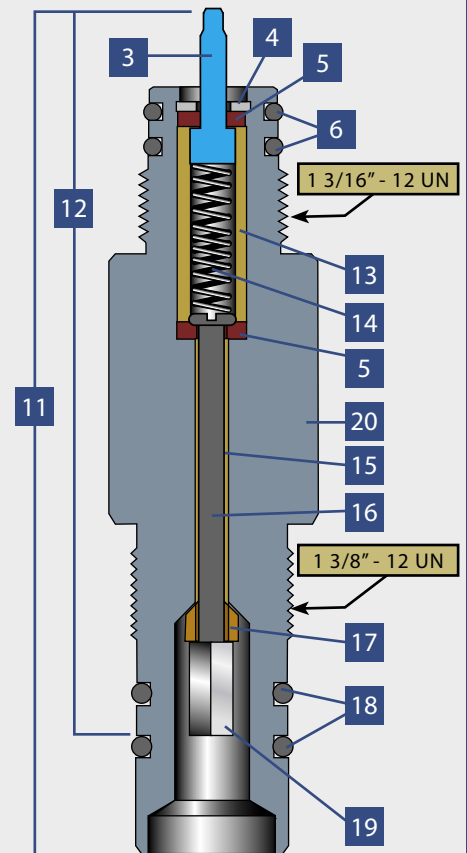
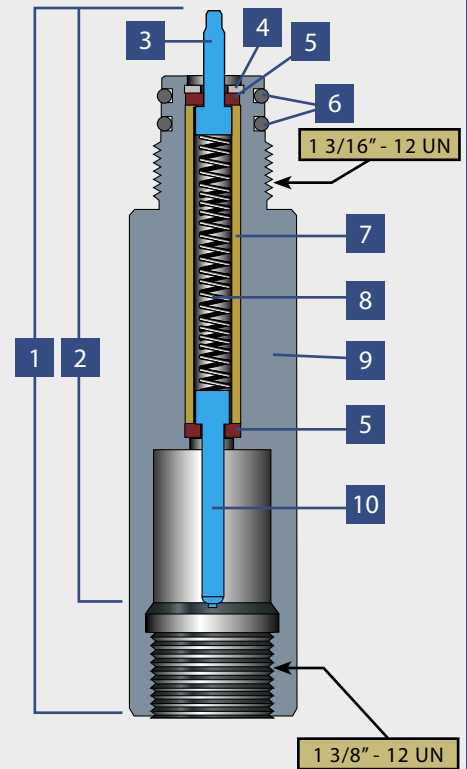
ADA0-52

# ADAPTOR COMPONENTS

## 1 11/16" Schlumberger Box To 1 3/8" GO Pin & 1 11/16" Schlumberger Pin To 1 3/8" GO Pin

Ref.	Part No.	Description
1	AS6-0001	1 11/16" Schlumberger Box to 1 3/8" GO Pin Assy
2	KIT-6-0001	Complete Kit Assembly *
3	1.-0033	Contact Plunger
4	HOO-0065	Retainer Ring
5	1.-0041	Insulating Washer
6	000-0211	O-Rings: 211
7	1.-0124	Contact Insulator
8	1.-0037-1	Contact Spring
9	1.687-0002	Contact Sub Body
10	1.687-0003	Contact Plunger
11	AS6-0018	1 11/16" Schlumberger PIN to 1 3/8" GO Pin Assy
12	KIT-6-0018	Complete Kit Assembly *
13	1.-0042	Contact Insulator
14	1.-0037	Contact Spring
15	BOO-0032	Insulating Sleeve
16	HOO-0252	Contact Rod
17	1.375-0172	Beveled Insulator
18	000-0214	O-Rings: 214
19	1.687-0154	Schlumberger Contact
20	1.687-0060	Contact Sub Body

\* Does not include O-Rings



**APPLIED  
ELECTRONIC  
SYSTEMS**

a **Sondex** company  
[www.aesla.com](http://www.aesla.com)

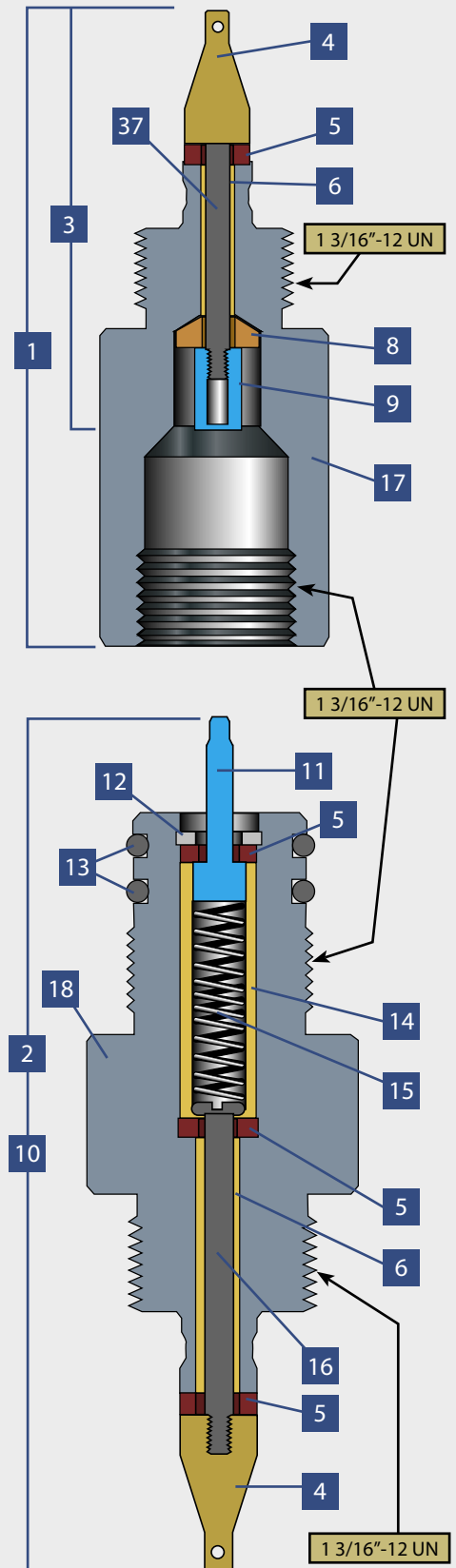
ADA0-53

# ADAPTOR COMPONENTS

1 11/16" AES Tear Drop Sub To  
1 3/8" GO Box  
1 11/16" AES Tear Drop Sub

Ref.	Part No.	Description
1	AS6-0065	1 11/16" AES Tear Drop Sub to 1 3/8" GO Box Complete Assy
2	AS6-0037	1 11/16" AES Tear Drop Sub Complete Assy
3	KIT-6-0065	Complete Kit Assy *
4	1.375-0030	10-32 Cone Nut
5	1.-0041	Insulating Washer
6	BOO-0032	Insulating Sleeve
7	1.375-0451	10-32 Contact Rod
8	1.-0086	Beveled Insulating Washer
9	1.-0087A	10-32 Contact Receptacle
10	KIT-4-0001	Complete Kit Assy *
11	1.-0033	Contact Plunger
12	HOO-0065	Retainer Ring
13	000-0211	O-Rings: 211
14	1.-0042	Insulating Washer
15	1.-0037	Contact Spring
16	HOO-0095	Contact Rod
17	1.687-0044	Contact Sub Body
18	1.687-0155	Contact Sub Body

\* Does not include O-Rings



**APPLIED  
ELECTRONIC  
SYSTEMS**

a **Sondex** company  
[www.aesla.com](http://www.aesla.com)

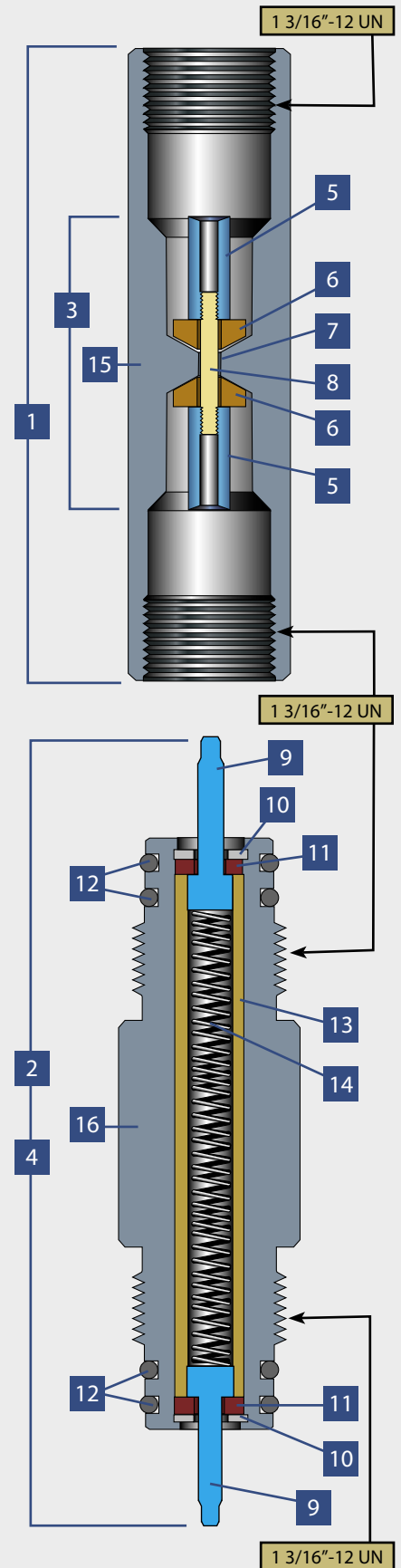
ADA0-54

# ADAPTOR COMPONENTS

## 1 11/16" GO Double Box & 1 11/16" GO Double Pin

Ref.	Part No.	Description
1	AS6-0060	1 11/16" GO Double Box Assy
2	AS6-0070	1 11/16" GO Double Pin Assy
3	KIT-4-0022	Complete Kit Assy *
4	KIT-6-0070	Complete Kit Assy *
5	1.-0087A	10-32 Contact Receptacle
6	1.-0086	Beveled Insulating Washer
7	BOO-0032	Insulating Sleeve
8	1.375-0433	10-32 Contact Rod
9	1.-0033	Contact Plunger
10	HOO-0065	Retainer Ring
11	1.-0041	Insulating Washer
12	000-0211	O-Ring: 211
13	1.-0028	Contact Insulator
14	1.-0037-1	Contact Spring
15	1.687-0221	Contact Sub Body
16	1.687-0251	Contact Sub Body

\* Does not include O-Rings



**APPLIED  
ELECTRONIC  
SYSTEMS**

a **Sondex** company  
[www.aesla.com](http://www.aesla.com)

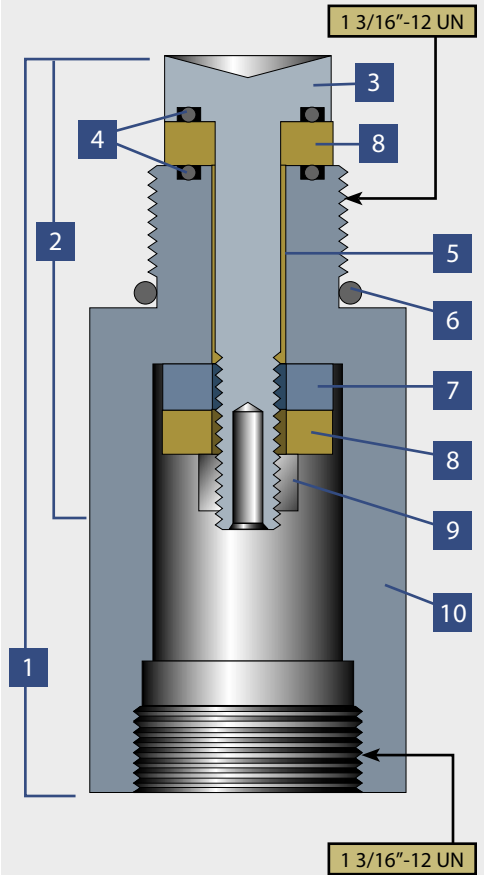
ADA0-55

# ADAPTOR COMPONENTS

## 1 11/16" GO Firing Sub

Ref.	Part No.	Description
1	AS6-0076	1 11/16" GO Firing Sub Assy
2	Kit-6-0076	Complete Kit Assy*
3	1.500-0006	GO Firing Sub Contact
4	000-0114	O-Rings: 114
5	B00-0097	Insulating Ring
6	000-0214	O-Rings: 214
7	1.500-007	Viton Rubber Washer
8	1.500-0008	Insulating Washer
9	H00-0138	Hex Nut
10	1.687-0345	Firing Sub Body

\* Does not include O-Rings



**APPLIED  
ELECTRONIC  
SYSTEMS**

a **Sondex** company  
[www.aesla.com](http://www.aesla.com)

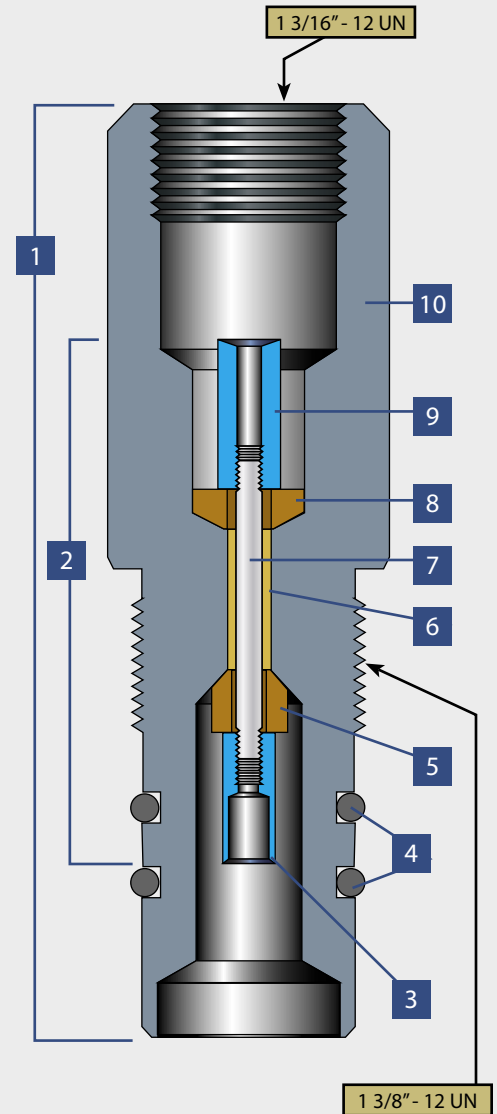
ADA0-56

# ADAPTOR COMPONENTS

## 1 11/16" Schlumberger Pin to 1 3/8" GO Box

Ref.	Part No.	Description
1	AS6-0079	1 11/16" Schlumberger Pin to 1 3/8" GO Box Assy *
2	KIT-6-0079	Complete Kit Assembly *
3	1.687-0154	Contact Receptacle
4	000-0214	O-Rings: 214
5	1.375-0172	Contact Insulator
6	BOO-0032	Insulating Sleeve
7	1.375-0432	10-32 Contact Rod
8	1.-0086	Beveled Insulating Washer
9	1.-0087A	10-32 Contact Receptacle
10	1.687-0277	Contact Sub Body

\*Does not include O-Rings.



**APPLIED  
ELECTRONIC  
SYSTEMS**

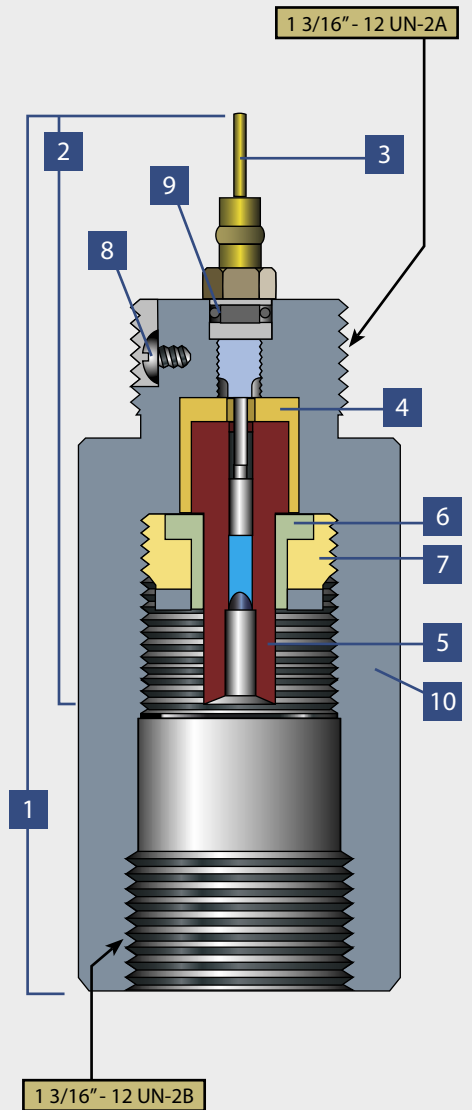
a **Sondex** company  
[www.aesla.com](http://www.aesla.com)

ADA0-57

# ADAPTOR COMPONENTS

## 1 11/16" GO Box/Tear Drop With Pressure Connector & Ground Screw

Ref.	Part No.	Description
1	AS6-0085	1 11/16" GO Box / Tear Drop w/Pressure Connector & Ground Screw
2	KIT-6-0085	Complete Kit Assy *
3	CON-0012-A	Pressure Connector
4	3005	Contact Insulator
5	3006	Brass Contact
6	3007	Insulator
7	3029-1	Retainer Ring
8	HOO-0094	6-32 x 3/16 Pan Head Screw S/S
9	000-0008	O-Ring: 008
10	1.687-0398	1 11/16" GO Box / Tear Drop w/Pressure Connector Body



**APPLIED  
ELECTRONIC  
SYSTEMS**

a **Sondex** company  
[www.aesla.com](http://www.aesla.com)

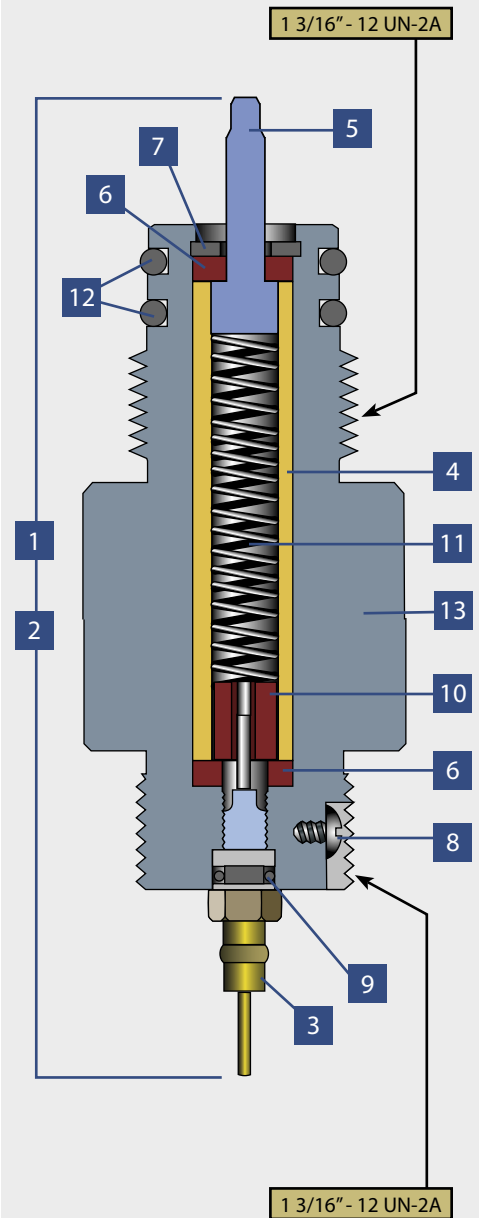
ADA0-58

# ADAPTOR COMPONENTS

## 1 11/16" GO Pin/Tear Drop With Pressure Connector & Ground Screw

Ref.	Part No.	Description
1	AS6-0086	1 11/16" GO Pin / Tear Drop w/Pressure Connector & Ground Screw
2	KIT-6-0086	Complete Kit Assembly *
3	CON-0012-A	Pressure Connector
4	2493	Contact Insulator
5	1.0033	Brass Plunger
6	1.0041	Insulator
7	HOO-0065	Retainer Ring
8	HOO-0094	6-32 x 3/16 Pan Head Screw S/S
9	000-0008	O-Ring: 008
10	PSA-024	Contact
11	1.0037	Spring
12	000-0211	O-Rings: 211
13	1.687-0399	1 11/16" GO Pin / Tear Drop w/Pressure Connector Body

\*Does not include O-Rings.



**APPLIED  
ELECTRONIC  
SYSTEMS**

a **Sondex** company  
[www.aesla.com](http://www.aesla.com)

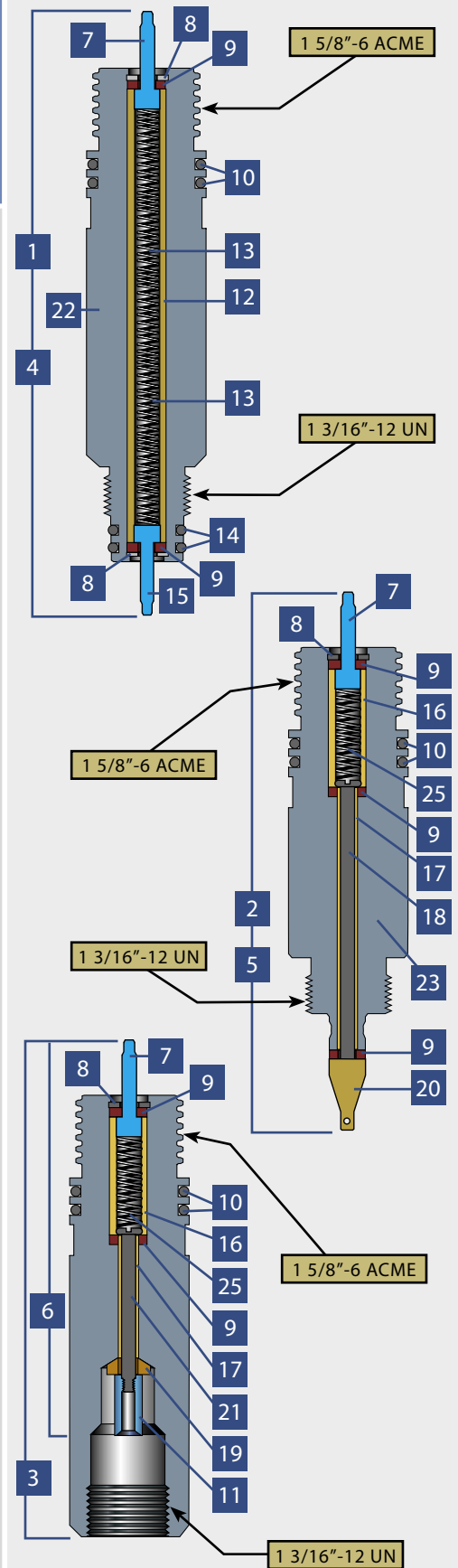
ADA0-59

# ADAPTOR COMPONENTS

1 3/4" 3 1/4" GO Quick Change Pin To  
1 7/16" GO Pin  
1 3/4" 3 1/4" GO Quick Change Pin To  
1 7/16" GO Tear Drop  
1 3/4" 3 1/4" GO Quick Change Pin To  
1 7/16" GO Box

Ref.	Part No.	Description
1	AS7-0002	1 3/4" 3 1/4" GO Quick Change Pin to 1 7/16" GO Pin Assy
2	AS7-0003	1 3/4" 3 1/4" GO Quick Change Pin to 1 7/16" GO Tear Drop Assy
3	AS7-0004	1 3/4" 3 1/4" GO Quick Change Pin to 1 7/16" GO Box Assy
4	KIT-7-0002	Complete Kit Assy *
5	KIT-7-0003	Complete Kit Assy *
6	KIT-7-0004	Complete Kit Assy *
7	1.-0214	Contact Plunger
8	HOO-0065	Retainer Ring
9	1.-0041	Insulating Washer
10	000-0222	O-Rings: 222
11	1.-0087A	10-32 Contact Receptacle
12	1.750-0054	Contact Insulator
13	1.-0037-1	Contact Spring (2 Req'd)
14	000-0211	O-Rings: 211
15	1.-0033	Contact Plunger
16	1.-0042	Contact Insulator
17	BOO-0032	Insulating Sleeve
18	1.375-0030	10-32 Contact Rod 4 1/8 Lg.
19	1.-0086	Beveled Insulating Washer
20	1.3750536	10-32 Cone Nut
21	HOO-0024	10-32 Contact Rod
22	1.750-0005	Contact Sub Body
23	1.750-0006	Contact Sub Body
24	1.750-0007	Contact Sub Body
25	1.-0037	Contact Spring
26	1.375-0081	Contact Spacer

\*Does not include O-Rings.



**APPLIED  
ELECTRONIC  
SYSTEMS**

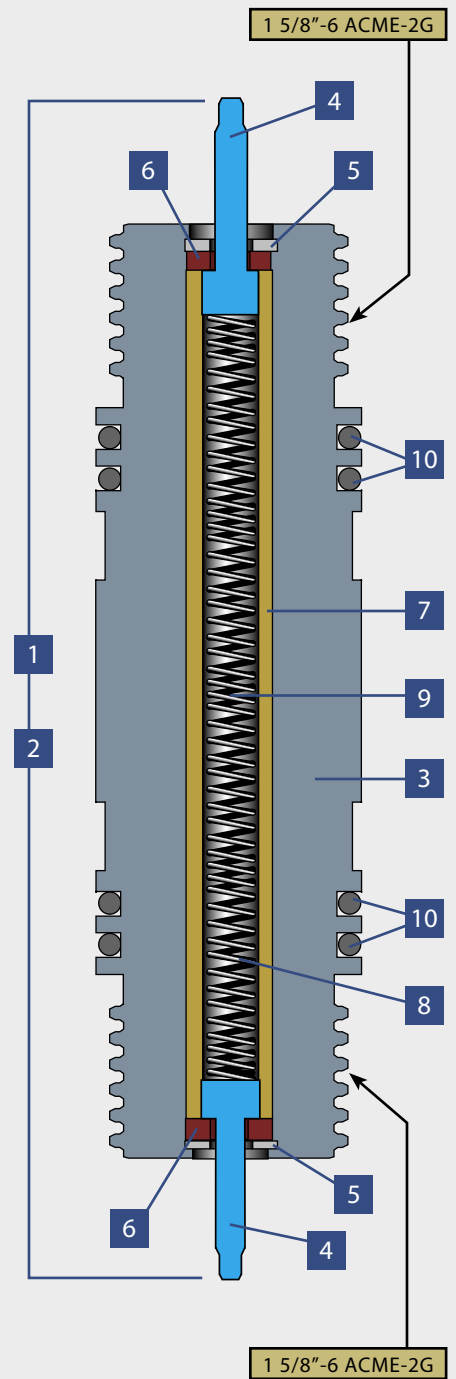
a **Sondex** company  
[www.aesla.com](http://www.aesla.com)

ADA0-60

# ADAPTOR COMPONENTS

## 1 3/4" Double Quick Change Pin

Ref.	Part No.	Description
1	AS7-0007	1 3/4" Double Quick Change Pin Assembly
2	KIT-7-0007	Complete Kit Assembly *
3	1.750-0055	1 3/4" Double Quick Change Pin
4	1.0214	Contact Plunger
5	HOO-0065	Retainer Ring
6	1.0041	Insulating Washer
7	1.375-0492	Plunger Insulator
8	1.0037	Contact Spring 2" Long
9	1.0037-1	Contact Spring 4" Long
10	000-0222	O-Rings: 222



**APPLIED  
ELECTRONIC  
SYSTEMS**

a **Sondex** company  
[www.aesla.com](http://www.aesla.com)

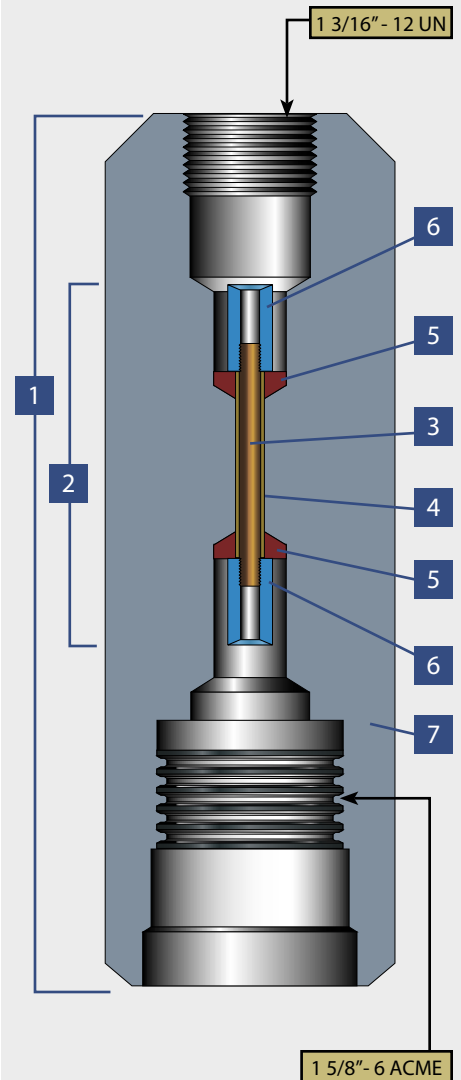
ADA0-61

# ADAPTOR COMPONENTS

## 2 1/2" GO Quick Change Box To GO Box

Ref.	Part No.	Description
1	AS7-0013	2 1/2" GO Quick Change Box to GO Box
2	Kit-7-0013	Contact Kit Assy*
3	1.375-0451	Contact Rod 10-32 X 2"
4	B00-0032	Insulating Sleeve
5	1.-0086	Beveled Insulating Washer
6	1.0087A	10-32 Contact Receptacle
7	2.0117	Contact Sub Body

\*Does not include O-Rings



**APPLIED  
ELECTRONIC  
SYSTEMS**

a **Sondex** company  
[www.aesla.com](http://www.aesla.com)

ADA0-62

# ADAPTOR COMPONENTS

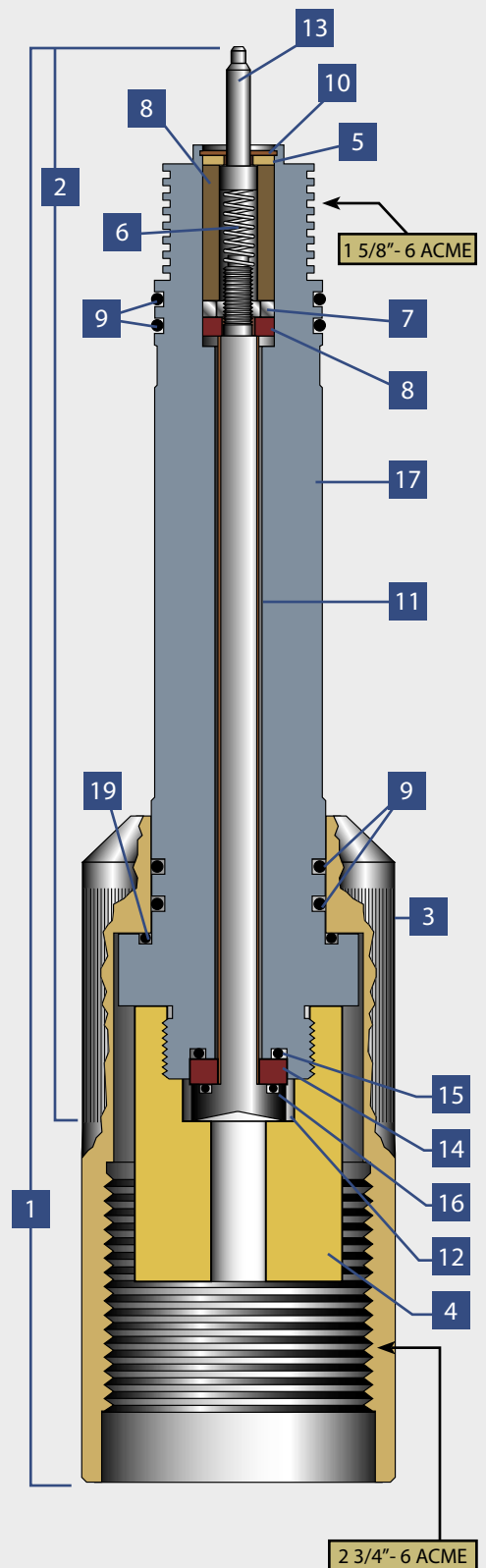
## 3 1/4" Quick Change Assembly (GO Type)

Ref.	Part No.	Description
1	AS9-0028	3 1/4" Quick Change Assy *
	AS9-0028-LC	Crossover Assy**
2	KIT-9-0028	Complete Kit Assy ***
3	3.250-0047	Quick Change Collar
4	3.250-0068	Detonator Block
5	3.250-0049-A	Insulating Washer
6	1.-0037	Contact Spring
7	HOO-0296	Nut
8	3.250-0051	Insulating Washer
9	000-0222	O-Rings: 222
10	HOO-0253	Retainer Ring
11	BOO-0097	Thru Rod Insulating Sleeve
12	3.250-0050	Contact Rod
13	1.-0033	Contact Pin
14	3.250-0052	Insulating Washer
15	000-0211	O-Rings: 211
16	000-0114	O-Rings: 114
17	3.250-0048	Crossover Sub Body
18	3.250-0049-B	Contact Insulator
19	000-0224	O-Rings: 224

\*Excludes Detonator Block.

\*\*Excludes Collar and Detonator Block.

\*\*\*Does not include O-Rings & Contact Rod.



**APPLIED  
ELECTRONIC  
SYSTEMS**

a **Sondex** company  
[www.aesla.com](http://www.aesla.com)

ADA0-63

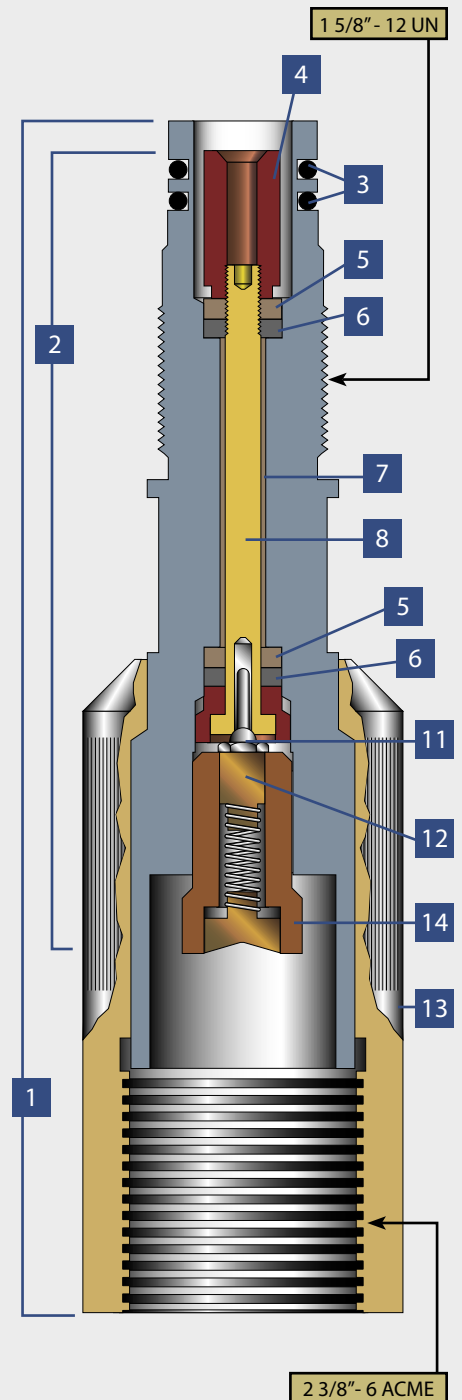
# ADAPTOR COMPONENTS

## 3 1/8" Quick Change Assembly (SIE Type)

Ref.	Part No.	Description
1	AS9-0029	3 1/8" Quick Change Assy
2	KIT-9-0029	Complete Kit Assy*
	AS9-0029-LC	Complete Crossover Assy**
3	000-0217	O-Rings: 217
4	3.250-0041	Brass Contact Receptacle
5	3.250-0035	Insulating Washer
6	3.250-0036	Viton Rubber Washer
7	BOO-oo35	Insulating Sleeve
8	3.250-0037	Contact Thru Rod
9	3.250-0006	Quick Change Crossover Sub
10	3.250-0034	Cup Washer
11	CON-0024	Banana Plug
12	PSA-025	Bijou Contact Assy.
13	3.250-0003	Quick Change Collar
14	3.250-0033	Bijou Insulator

\*Does not include O-Rings and Crossover Sub.

\*\* Excludes Collar and Detonator Block.



**APPLIED  
ELECTRONIC  
SYSTEMS**

a **Sondex** company

[www.aesla.com](http://www.aesla.com)

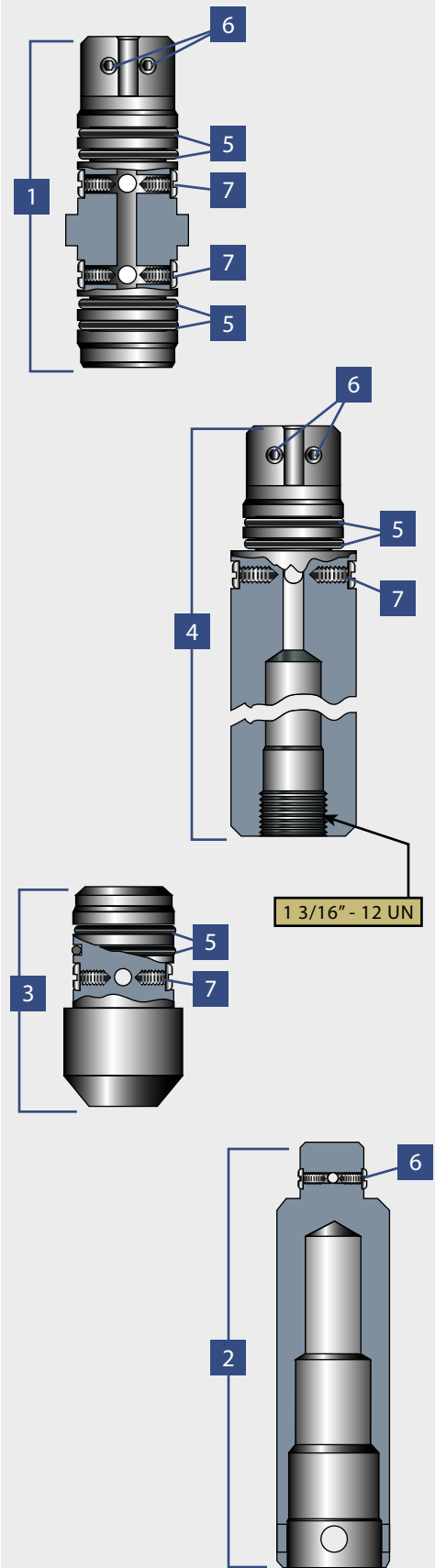
ADA0-64

# ADAPTOR COMPONENTS

- 2" RTG Tandem Sub
- 2" RTG Bottom Adaptor Sub
- 2" RTG Bull Plug
- 2" RTG Top Sub

Ref.	Part No.	Description
1	AS9-0031	2" RTG Tandem Sub Assembly
2	AS9-0042	2" RTG Bottom Adaptor Sub Assembly
3	AS9-0033	2" RTG Bull Plug Assembly
4	AS9-0032	2" RTG Top Sub Assembly
5	000-0220	O-Ring: 220
6	HOO-0273	1/4-20 x 1/4" Socket Head Cap Screw
7	HOO-0274	5/16-18 x 1/4" Socket Head Cap Screw

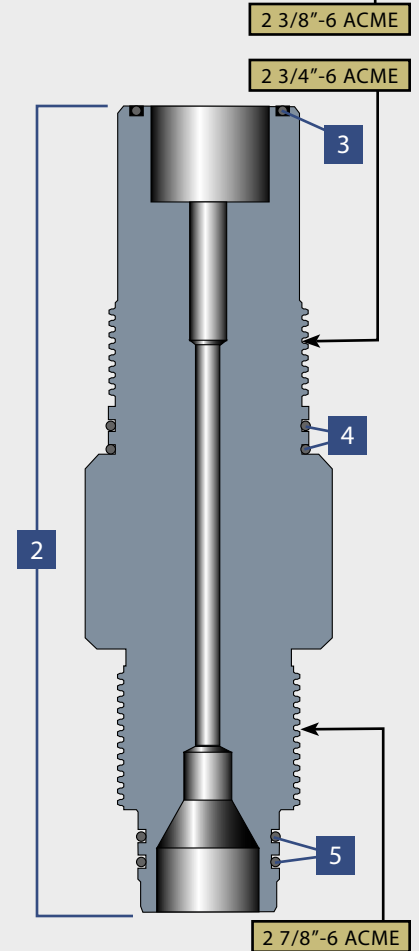
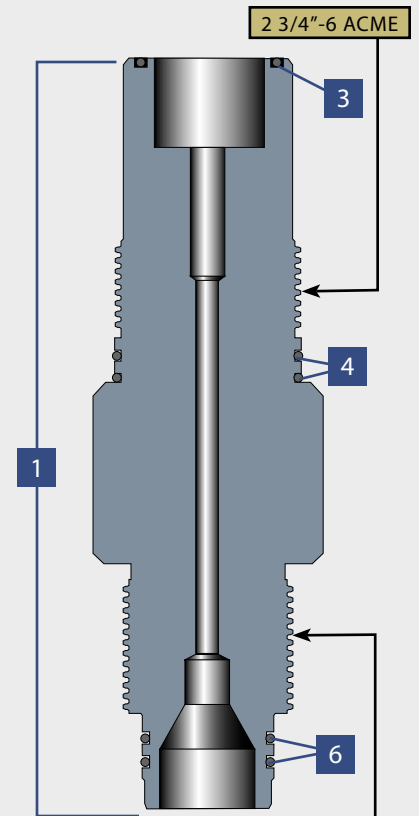
\*Does not include Cap Screws (Order Separately).



# ADAPTOR COMPONENTS

## #10 Baker Firing Head To GO Quick Change #20 Baker Firing Head To GO Quick Change

Ref.	Part No.	Description
1	AS10-0002	#10 Baker Firing Head to GO Quick Change Assy
2	AS10-0003	#20 Baker Firing Head to GO Quick Change Assy
3	000-0226	O-Rings: 226
4	000-0230	O-Rings: 230
5	000-0328	O-Rings: 328
6	000-0222	O-Rings: 222



**APPLIED  
ELECTRONIC  
SYSTEMS**

a **Sondex** company  
[www.aesla.com](http://www.aesla.com)

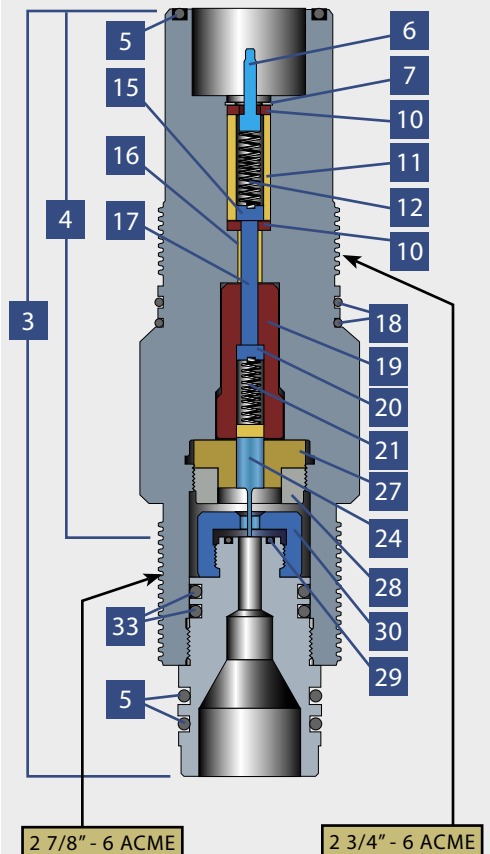
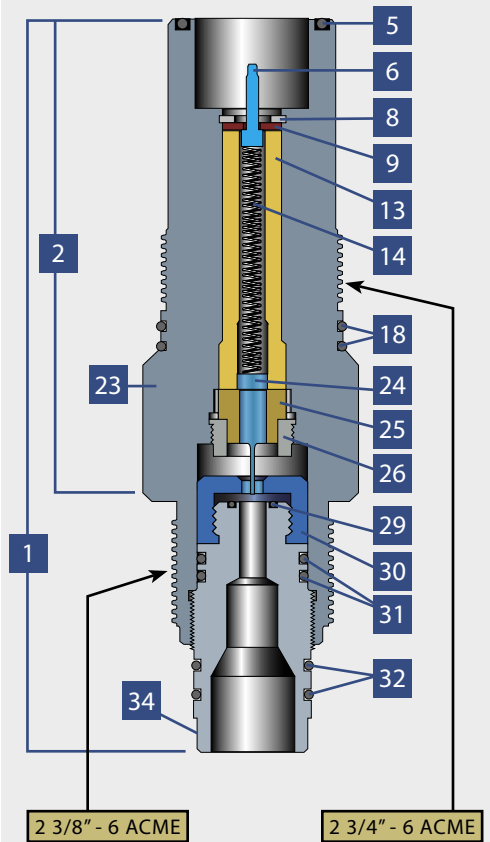
ADA0-66

# ADAPTOR COMPONENTS

## #10 Baker Firing Head To GO Quick Change #20 Baker Firing Head To GO Quick Change

Ref.	Part No.	Description
1	AS10-0005	#10 Baker Firing Head to GO Quick Change Complete Assy
2	KIT-10-0005	Complete Kit Assy *
3	AS10-0004	#20 Baker Firing Head to GO Quick Change Complete Assy
4	KIT-10-0004	Complete Kit Assy *
5	000-0328	O-Rings: C-67 328
6	1.0033	Contact Plunger
7	HOO-0254	Retainer Ring
8	HOO-0005	Retainer Ring
9	3.250-0093	Insulating Washer
10	0.625-0051	Insulating Washer
11	3.250-0092	Contact Insulator
12	1.0037	Contact Spring
13	3.250-0091	Contact Insulator
14	HOO-0344	Contact Spring
15	3.500-0005A	Contact Rod End Cap
16	BOO-0035	Insulating Sleeve
17	3.500-0005	Contact Rod
18	000-0230	O-Rings: C-67 230
19	3.250-0083	Contact Insulator
20	3.250-0030A	Contact Rod End Cap
21	3.250-0082	Contact Spring
22	3.500-0004	#20 Firing Head Sub Body
23	3.500-0090	#10 Firing Head Sub Body
24	1.687-0111	Contact Plunger
25	3.0059	Contact Insulator
26	3.0062	#10 Retainer Collar
27	3.250-0026	Contact Insulator
28	3.250-0088	#20 Retainer Collar
29	000-0112	O-Rings: C-67 112
30	3.250-0010A	#10 Igniter Holder Cap
	3.250-0010A	#20 Igniter Holder Cap
31	000-0220	O-Rings: C-67 220
32	000-0222	O-Rings: C-67 222
33	000-0325	O-Rings: C-67 325
34	3.0060	#10 Igniter Holder Body
35	3.250-0010	#20 Igniter Holder Body

\*Does not include O-Rings.



**APPLIED  
ELECTRONIC  
SYSTEMS**

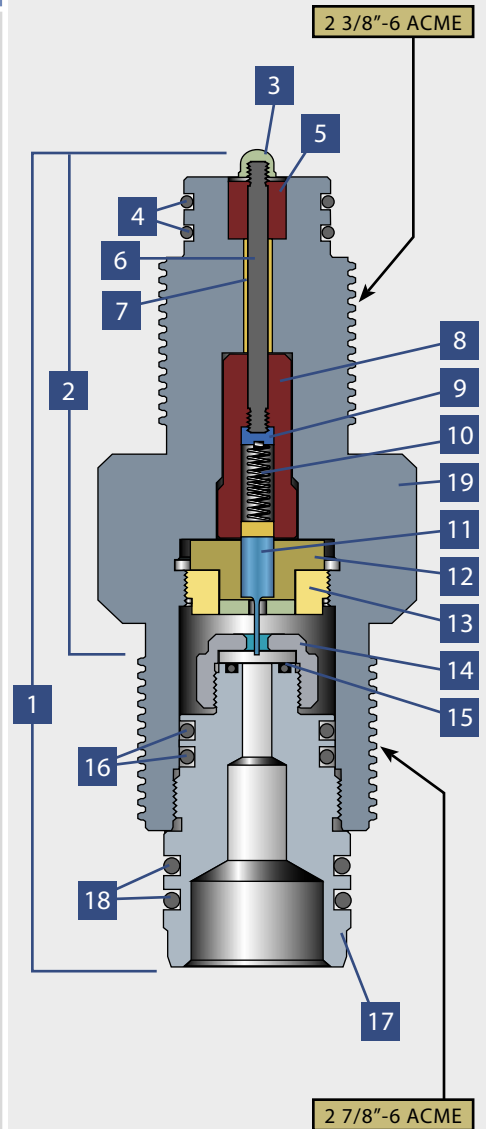
a **Sondex** company  
[www.aesla.com](http://www.aesla.com)

ADA0-67

# ADAPTOR COMPONENTS

## #20 Baker Firing Head For Setting Tool

Ref.	Part No.	Description
1	AS10-0001	#20 Baker Firing Head Setting Tool Assy (3 items)
2	KIT-10-0001	Complete Kit Assy (3 items)
3	HOO-0270	1/4-28 Acorn Nut
4	000-0222	O-Rings: 222
5	3.250-0084	Contact Insulator
6	3.250-0030	1/4-28 Contact Rod
7	BOO-0035	Insulating Sleeve
8	3.250-0083	Contact Insulator
9	3.250-0030A	Contact Rod End Cap
10	3.250-0082	Contact Spring
11	1.687-0111	Contact Plunger
12	3.250-0026	Contact Insulator
13	3.250-0088	Retainer Ring
14	3.250-0010A	Firing Head Cap Retainer
15	000-0112	O-Rings: 112
16	000-0325	O-Ring: 325
17	3.250-0010	Firing Head Igniter
18	000-0328	O-Rings: 328
19	3.250-0081	Firing Head Body



**APPLIED  
ELECTRONIC  
SYSTEMS**

a **Sondex** company

[www.aesla.com](http://www.aesla.com)

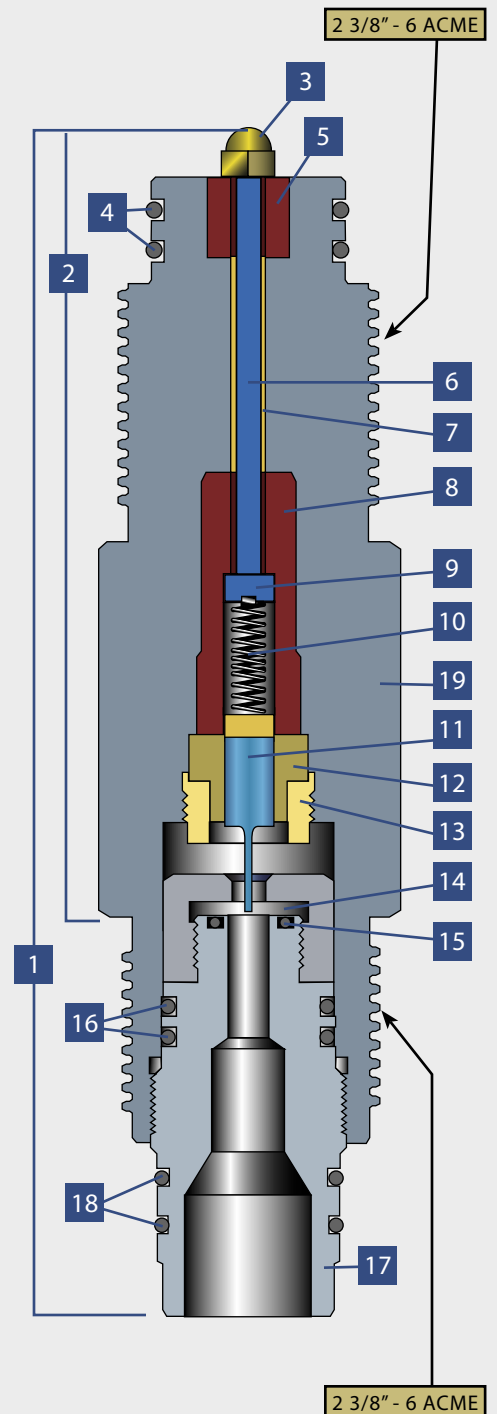
ADA0-68

# ADAPTOR COMPONENTS

## #10 Baker Firing Head For Setting Tool

Ref.	Part No.	Description
1	AS10-0006	Firing Head Assembly for Baker #10 Setting Tool
2	KIT-3.250-0103	Complete Kit Assy *
3	HOO-0270	1/4-28 Acorn Nut
4	000-0222	O-Rings: 222
5	3.250-0084	Contact Insulator
6	3.250-0030-2	1/4-28 Contact Rod
7	BOO-0035	Insulating Sleeve
8	3.250-0083	Contact Insulator
9	3.250-0030A	Contact Rod End Cap
10	3.250-0082	Contact Spring
11	1.687-0111	Contact Plunger
12	3.-0059	Contact Insulator
13	3.-0062	#10 Retainer Ring
14	3.250-0010A	Firing Head Cap Retainer
15	000-0112	O-Rings: 112
16	000-0220	O-Ring: 220
17	3.-0060	#10 Igniter Holder Body
18	000-0222	O-Ring: 222
19	3.250-0103	Firing Head Body

\*Does not include O-Rings.



**APPLIED  
ELECTRONIC  
SYSTEMS**

a **Sondex** company

[www.aesla.com](http://www.aesla.com)

ADA0-69

# ACCESSORY SPECIFICATIONS



## ACCESSORIES

## ACCESSORIES

Parameters	Imperial	Metric
OD Size:	1" - 3-1/4"	25.4 mm - 82.6 mm
Weight:	—	—
Temperature:	500°F	260°C
Pressure:	21,000psi	144 MPa



**APPLIED  
ELECTRONIC  
SYSTEMS**

a **Sondex** company  
[www.aesla.com](http://www.aesla.com)

ACC0-1

# ACCESSORY PRODUCT RANGES

Part No.	Description	Page
----------	-------------	------

## KNUCKLE JOINTS

AS3-0023	1" Knuckle Joint Assy	ACC0-3
AS5-0015	1 7/16" Knuckle Joint Assy	ACC0-4
AS6-0062	1 11/16" Knuckle Joint Assy	ACC0-5
AS6-0080	1 11/16" OTL GO Knuckle Joint Assy	ACC0-6

## SPRING SHOCK SUB ASSEMBLY

AS3-0041	1" Shock Sub Assy	ACC0-7
AS5-0024	1 7/16" Shock Sub Assy	ACC0-8
AS6-0063	1 9/16" Shock Sub Assy	ACC0-8
AS6-0064	1 11/16" Shock Sub Assy	ACC0-8
AS9-0056	2 1/2" Shock Sub Assy	ACC0-9

## WIRELINER SKATE

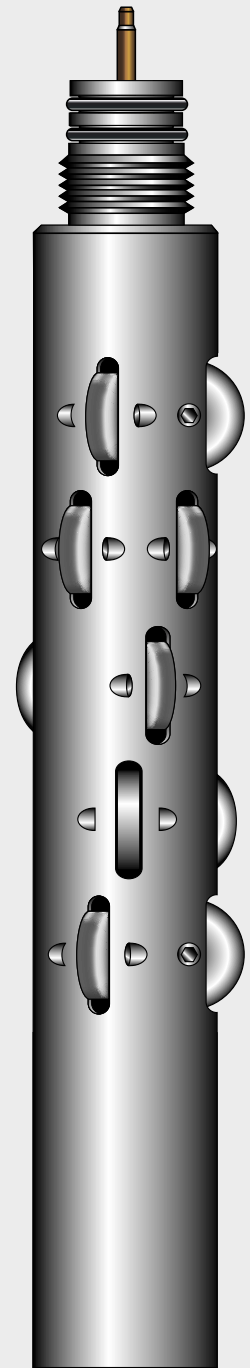
AS5-0032	1 7/16" Wireline Skate, 1 5/8" drift	ACC0-10
AS5-0033	1 1/2" Wireline Skate, 1 23/32" (1.71) drift	ACC0-11
AS6-0077	1 9/16" Wireline Skate, 1 13/16" drift	ACC0-12
AS6-0083	1 5/8" Wireline Skate, 1 7/8" (1.875) drift	ACC0-13
AS9-0053	1 3/4" Wireline Skate, 2 1/8" drift	ACC0-14
AS9-0054	1 3/4" Wireline Skate, 2 5/8" drift	ACC0-15

## SHOCK ABSORBER (BUMPER) ASSY

AS7-0005	1 11/16" Shock Absorber Sub Assy	ACC0-16
AS9-0062	2 3/4" Shock Absorber Sub Assy	ACC0-17
AS10-0013	3 1/8" Shock Absorber Sub Assy	ACC0-18

## CONDUCTOR SWIVEL ASSY

AS7-0006	1 11/16" Conductor Swivel Assy	ACC0-19
AS10-0012-2 7/8	2 7/8" Conductor Swivel Assy	ACC0-20
AS10-0012	3 1/8" Conductor Swivel Assy	ACC0-21



**APPLIED  
ELECTRONIC  
SYSTEMS**

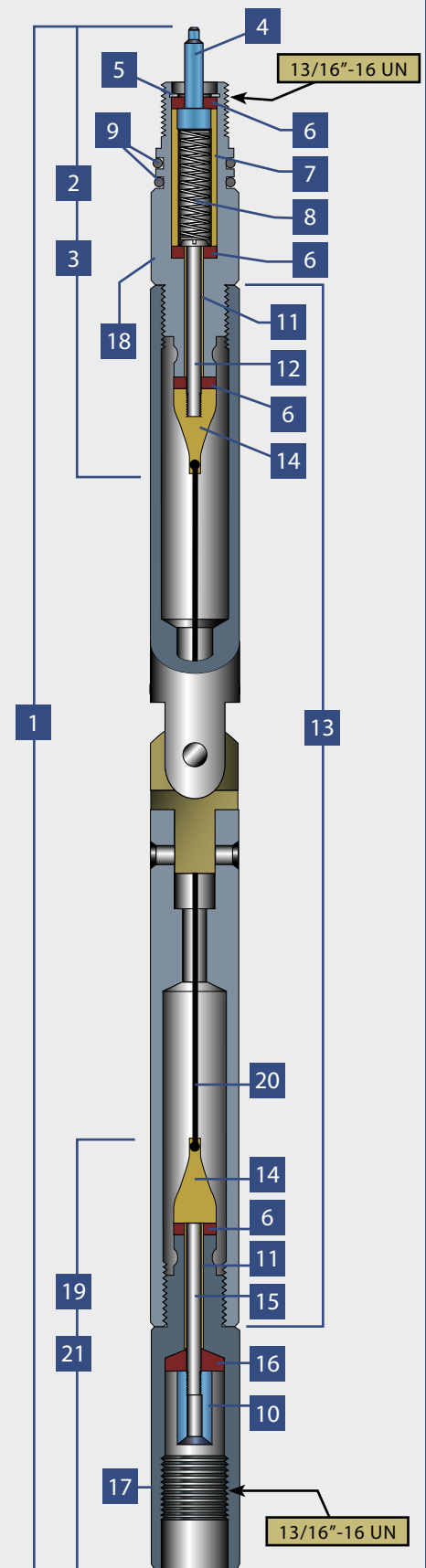
a **Sondex** company  
[www.aesla.com](http://www.aesla.com)

# Accessory COMPONENTS

## 1" Knuckle Joint

Ref.	Part No.	Description
1	AS3-0023	1" Knuckle Joint Complete Assy
2	AS3-0001	1" Tear Drop Assy
3	KIT-3-0001	Complete Kit Assy*
4	1.-0033	Contact Plunger
5	HOO-0065	Retainer Ring
6	1.-0041	Insulating Washer
7	1.-0042	Contact Insulator
8	1.-0037	Contact Spring
9	000-0115	O-Rings: 115
10	1.-0087-B	10-32 Contact Receptacle
11	BOO-0032	Insulating Sleeve
12	HOO-0095	10-32 Contact Rod
13	AS3-0023-1	Knuckle Joint Sub Assy
14	1.375-0030	10-32 Cone Nut
15	1.375-0451	10-32 Contact Rod
16	1.-0086	Beveled Insulating Washer
17	1.-0222	Contact Sub Body
18	1.-0050	Contact Sub Body
19	AS3-0036	1" Tear Drop To GO Box Assy
20	WIR-1060	Signal Wire
21	KIT-3-0036	Complete Kit Assy*

\*Does not include O-Rings.



**APPLIED  
ELECTRONIC  
SYSTEMS**

a **Sondex** company  
www.aesla.com

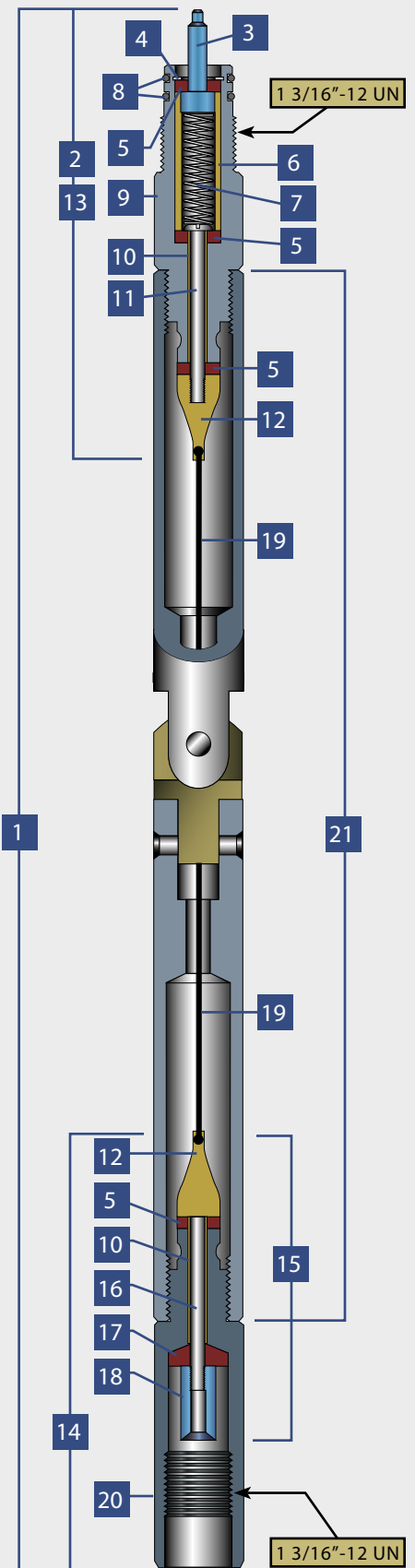
ACC0-3

# ACCESSORY COMPONENTS

## 1 7/16" Knuckle Joint

Ref.	Part No.	Description
1	AS5-0015	1 7/16" Knuckle Joint Complete Assy
2	AS5-0014	1 7/16" Tear Drop Complete Assy
3	1.-0033	Contact Plunger
4	HOO-0065	Retainer Ring
5	1.-0041	Insulating Washer
6	1.-0042	Contact Insulator
7	1.-0037	Contact Spring
8	000-0211	O-Rings: 211
9	1.437-0051	Tear Drop Sub Body
10	BOO-0032	Insulating Sleeve
11	HOO-0095	10-32 Contact Rod
12	1.375-0030	10-32 Cone Receptacle
13	KIT-5-0014	Complete Kit Assy *
14	AS5-0029	1 7/16" Tear Drop to 1 7/16" GO Box Assy
15	KIT-5-0029	Complete Kit Assy *
16	1.375-0435	10-32 Contact Rod
17	1.-0086	Beveled Insulating Washer
18	1.-0087-A	10-32 Contact Receptacle
19	WIR-1026	Signal Wire
20	1.375-0371	Tear Drop Sub Body
21	AS5-0015-1	Knuckle Joint Sub Assy

\*Does not include O-Rings.



**APPLIED  
ELECTRONIC  
SYSTEMS**

a **Sondex** company  
[www.aesla.com](http://www.aesla.com)

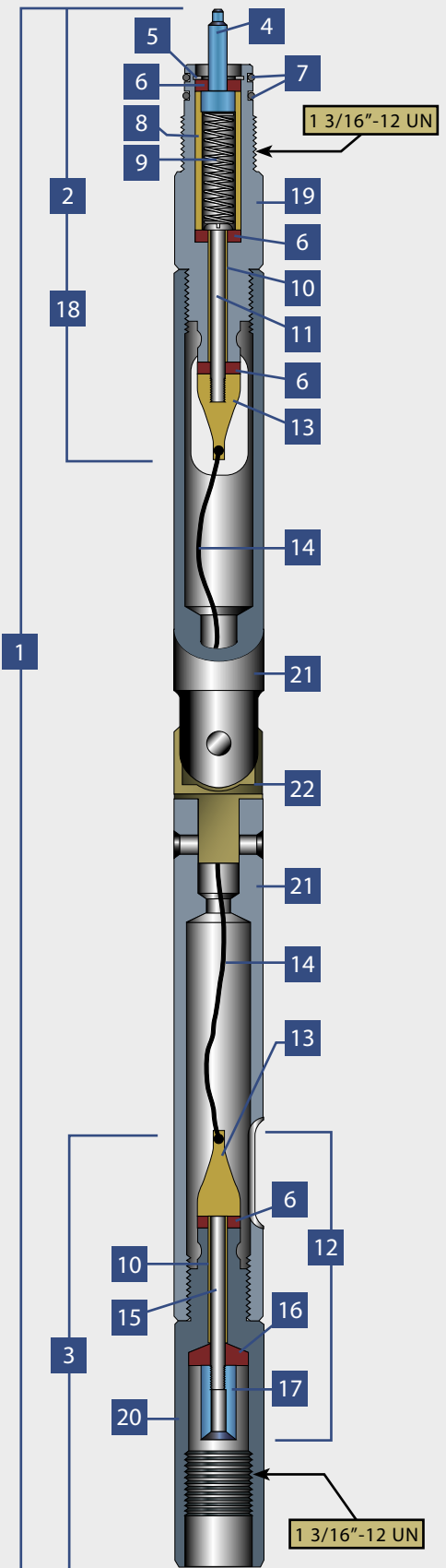
ACC0-4

# ACCESSORY COMPONENTS

## 1 11/16" Knuckle Joint

Ref.	Part No.	Description
1	AS6-0062	1 11/16" Knuckle Joint Complete Assy
2	AS6-0037	1 11/16" Tear Drop Sub Complete Assy
3	AS6-0065	Tear Drop to 1 3/8" GO Box Complete Assy
4	1.-0033	Contact Plunger
5	HOO-0065	Retainer Ring
6	1.-0041	Insulating Washer
7	000-0211	O-Rings: 211
8	1.-0042	Contact Insulator
9	1.-0037	Contact Spring
10	BOO-0032	Insulating Sleeve
11	HOO-0095	10-32 Contact Rod
12	KIT-6-0065	Complete Kit Assy *
13	1.375-0030	10-32 Cone Nut
14	WIR-1026	Signal Wire
15	1.375-0451	10-32 Contact Rod
16	1.-0086	Beveled Insulating Washer
17	1.-0087-A	10-32 Contact Receptacle
18	KIT-6-0037	Complete Kit Assy *
19	1.687-0155	Contact Sub Body
20	1.687-0044	Contact Sub Body
21	1.687-0224	Knuckle Joint Sub Body
22	1.687-0225	Knuckle Joint

\*Does not include O-Rings.



**APPLIED  
ELECTRONIC  
SYSTEMS**

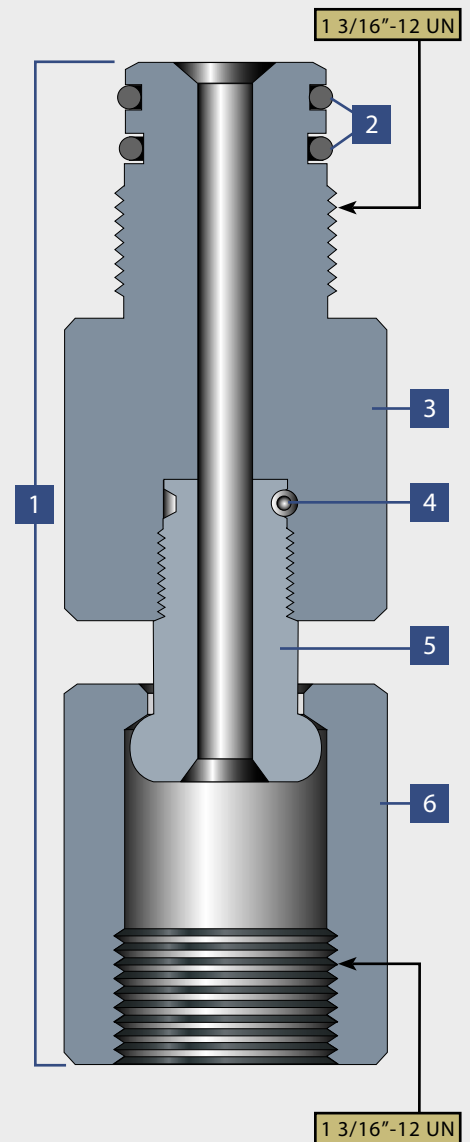
a **Sondex** company  
[www.aesla.com](http://www.aesla.com)

ACC0-5

# ACCESSORY COMPONENTS

## 1 11/16" OTL GO Knuckle Joint

Ref.	Part No.	Description
1	AS6-0080	1 11/16" OTL GO Knuckle Joint Assy
2	000-0211	O-Rings: 211
3	2373-2	Knuckle Joint Pin
4	HOO-0351	1/8" Roll Pin x 1 1/2" Long
5	2374	Knuckle Joint Swivel
6	2373-1	Knuckle Joint Box



**APPLIED  
ELECTRONIC  
SYSTEMS**

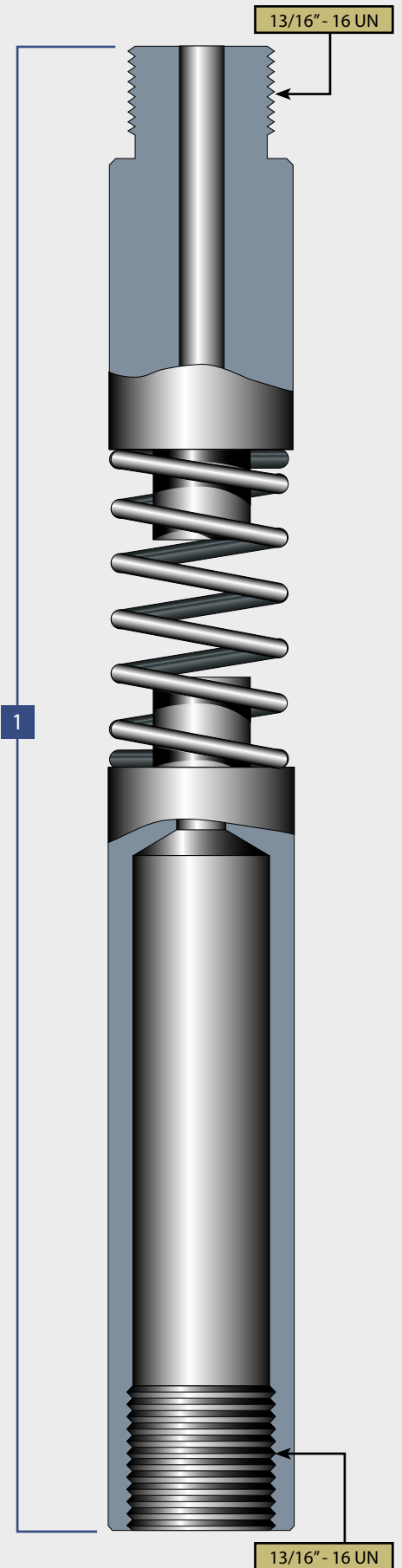
a **Sondex** company  
[www.aesla.com](http://www.aesla.com)

ACC0-6

# ACCESSORY COMPONENTS

## 1" Spring Shock Sub Assembly

Ref.	Part No.	Description
1	AS3-0041	1" Shock Sub Assy



**APPLIED  
ELECTRONIC  
SYSTEMS**

a **Sondex** company  
[www.aesla.com](http://www.aesla.com)

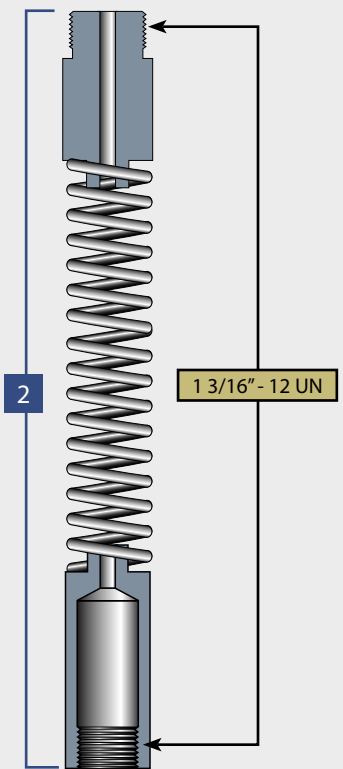
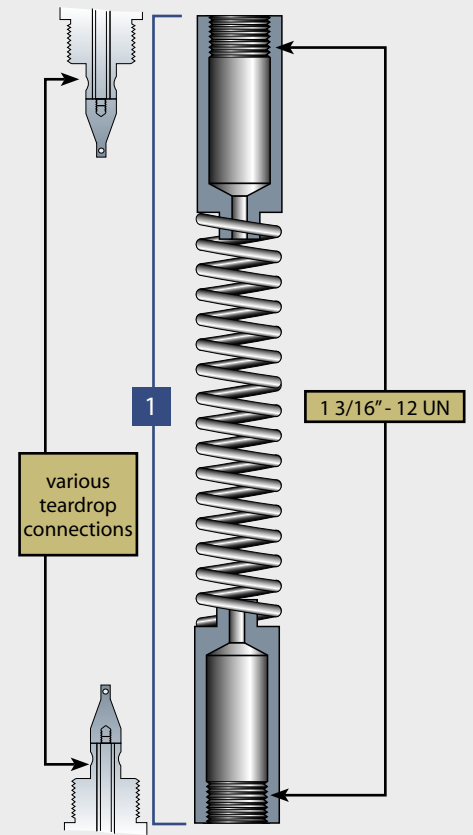
ACC0-7

# ACCESSORY COMPONENTS

## Spring Shock Sub Assembly

(In 1 7/16", 1 9/16" and 1 11/16" O.D.'s)

Ref.	Part No.	Description
1	AS5-0024-BB	1 7/16" Shock Sub Assy
	AS6-0063-BB	1 9/16" Shock Sub Assy
	AS6-0064-BB	1 11/16" Shock Sub Assy
2	AS5-0024-PB	1 7/16" Shock Sub Assy
	AS6-0063-PB	1 9/16" Shock Sub Assy
	AS6-0064-PB	1 11/16" Shock Sub Assy



**APPLIED  
ELECTRONIC  
SYSTEMS**

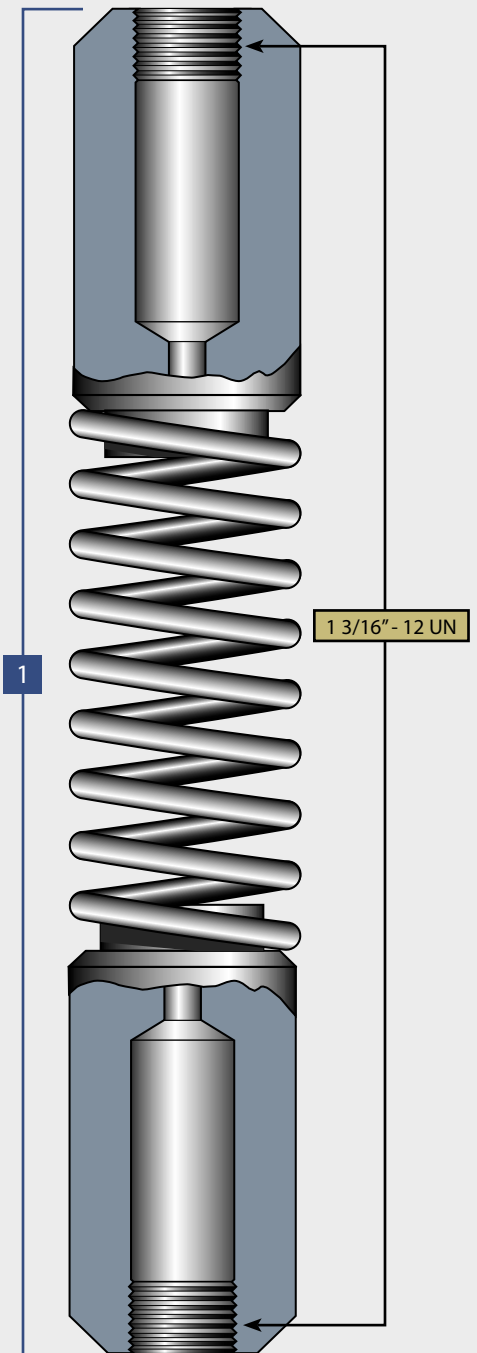
a **Sondex** company  
[www.aesla.com](http://www.aesla.com)

ACC0-8

# ACCESSORY COMPONENTS

## 2 1/2" Spring Shock Assembly

Ref.	Part No.	Description
1	AS9-0056	2 1/2" Shock Absorber Assy



**APPLIED  
ELECTRONIC  
SYSTEMS**

a **Sondex** company  
[www.aesla.com](http://www.aesla.com)

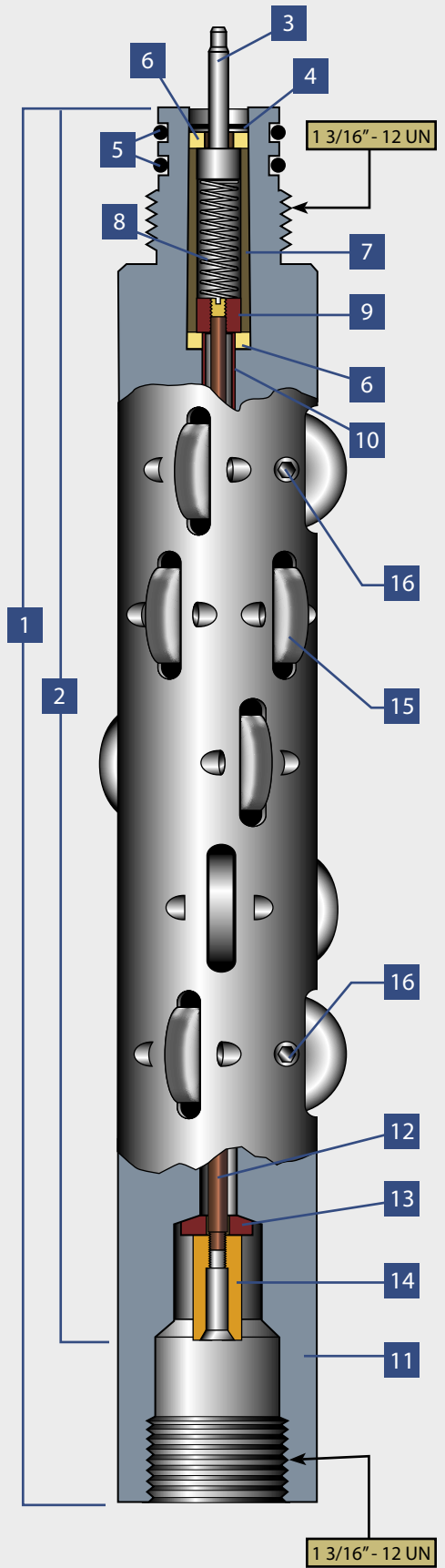
ACC0-9

# ACCESSORY COMPONENTS

## 1 7/16" Wireline Skate, 1 5/8" Drift

Ref.	Part No.	Description
1	AS5-0032	1 7/16" Wireline Skate, 1 5/8" Drift
2	KIT-5-0032	Complete Kit Assy *
3	1.-0033	Contact Plunger
4	HOO-0065	Retainer Ring
5	000-0211	O-Rings: 211
6	1.-0041	Insulating Washer
7	1.-0042	Contact Insulator
8	1.-0037	Contact Spring
9	1.375-0081	10-32 Contact Receptacle
10	BOO-0032	Insulating Sleeve
11	1.437-0116	Skate Body
12	1.687-0389	Contact Rod
13	1.-0086	Insulating Washer
14	1.-0087A	Contact Receptacle
15	2335	Skate Wheel
16	HOO-0424	3/16" x 3/4" Spiral Roll Pin

\*Does not include O-Rings.



**APPLIED  
ELECTRONIC  
SYSTEMS**

a **Sondex** company  
www.aesla.com

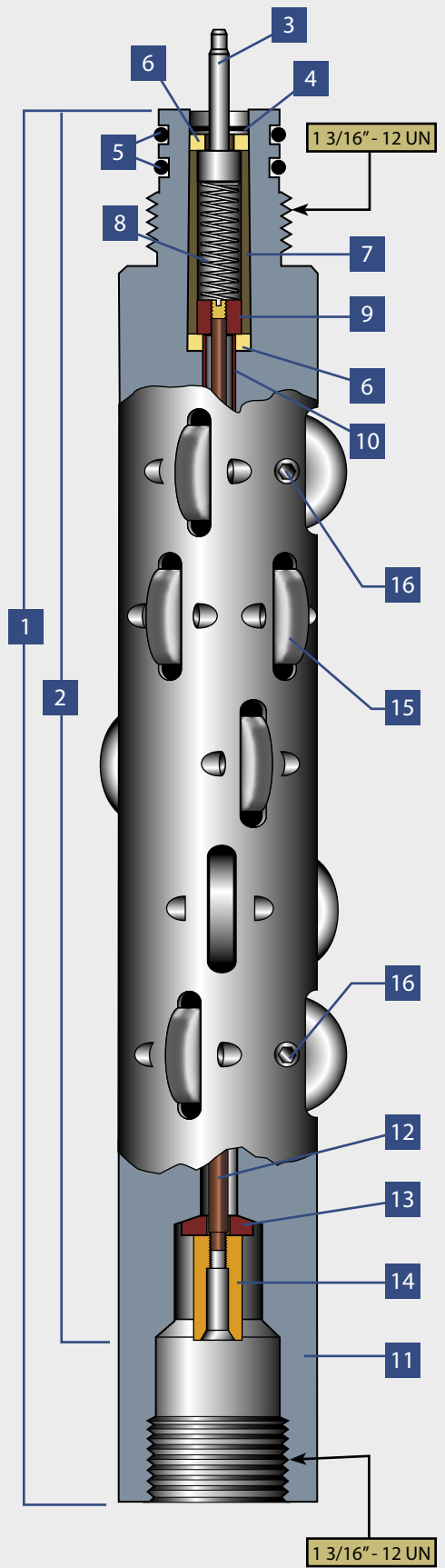
ACC0-10

# ACCESSORY COMPONENTS

## 1 1/2" Wireline Skate, 1.71" Drift

Ref.	Part No.	Description
1	AS5-0033	1 1/2" Wireline Skate, 1.71" Drift
2	KIT-5-0033	Complete Kit Assy *
3	1.-0033	Contact Plunger
4	HOO-0065	Retainer Ring
5	000-0211	O-Rings: 211
6	1.-0041	Insulating Washer
7	1.-0042	Contact Insulator
8	1.-0037	Contact Spring
9	1.375-0081	10-32 Contact Receptacle
10	BOO-0032	Insulating Sleeve
11	1.500-0069	Skate Body
12	1.687-0389	Contact Rod
13	1.-0086	Insulating Washer
14	1.-0087A	Contact Receptacle
15	3102	Skate Wheel
16	HOO-0424	3/16" x 3/4" Spiral Roll Pin

\*Does not include O-Rings.



**APPLIED  
ELECTRONIC  
SYSTEMS**

a **Sondex** company  
[www.aesla.com](http://www.aesla.com)

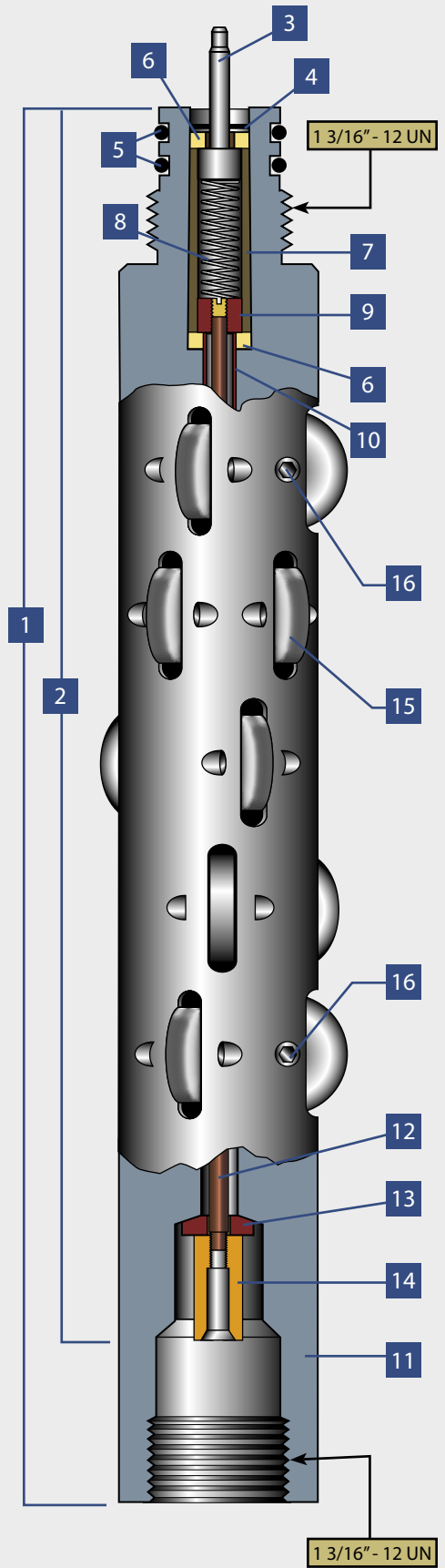
ACC0-11

# ACCESSORY COMPONENTS

## 1 9/16" Wireline Skate, 1 13/16" Drift

Ref.	Part No.	Description
1	AS6-0077	1 9/16" Wireline Skate, 1 13/16" Drift
2	KIT-6-0077	Complete Kit Assy *
3	1.-0033	Contact Plunger
4	HOO-0065	Retainer Ring
5	000-0211	O-Rings: 211
6	1.-0041	Insulating Washer
7	1.-0042	Contact Insulator
8	1.-0037	Contact Spring
9	1.375-0081	10-32 Contact Receptacle
10	BOO-0032	Insulating Sleeve
11	1.687-0351	Skate Body
12	1.687-0389	Contact Rod
13	1.-0086	Insulating Washer
14	1.-0087A	Contact Receptacle
15	1.687-0352	Skate Wheel
16	HOO-0424	3/16" x 3/4" Spiral Roll Pin

\*Does not include O-Rings.



**APPLIED  
ELECTRONIC  
SYSTEMS**

a **Sondex** company  
[www.aesla.com](http://www.aesla.com)

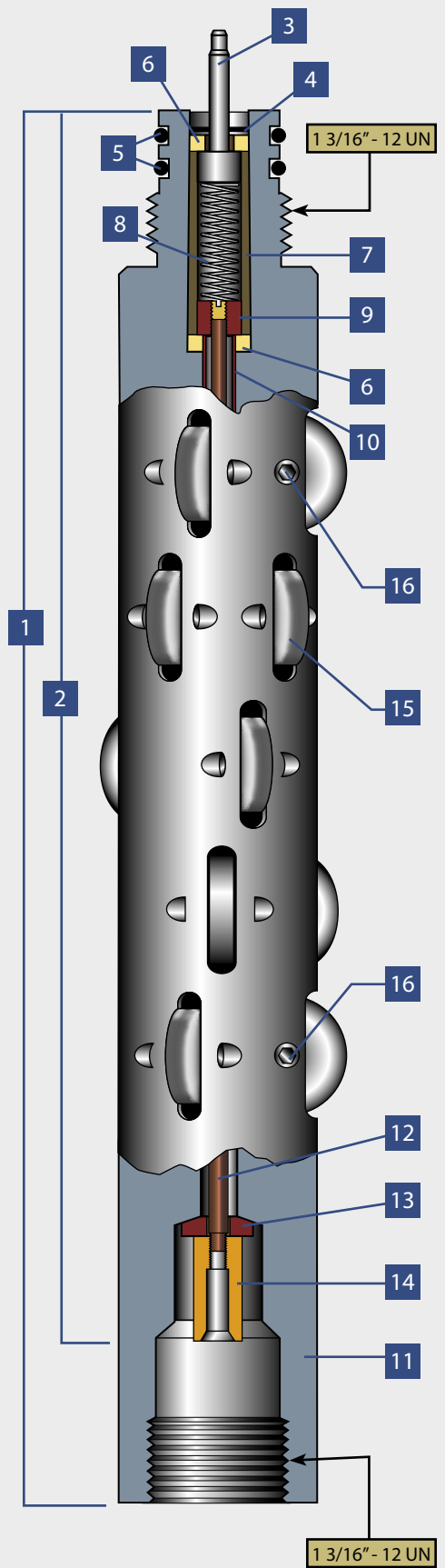
ACC0-12

# ACCESSORY COMPONENTS

## 1 5/8" Wireline Skate, 1.875" Drift

Ref.	Part No.	Description
1	AS6-0083	1 5/8" Wireline Skate, 1.875" Drift
2	KIT-6-0083	Complete Kit Assy *
3	1.-0033	Contact Plunger
4	HOO-0065	Retainer Ring
5	000-0211	O-Rings: 211
6	1.-0041	Insulating Washer
7	1.-0042	Contact Insulator
8	1.-0037	Contact Spring
9	1.375-0081	10-32 Contact Receptacle
10	BOO-0032	Insulating Sleeve
11	1.687-0388	Skate Body
12	1.687-0389	Contact Rod
13	1.-0086	Insulating Washer
14	1.-0087A	Contact Receptacle
15	1.687-0352	Skate Wheel
16	HOO-0424	3/16" x 3/4" Spiral Roll Pin

\*Does not include O-Rings.



**APPLIED  
ELECTRONIC  
SYSTEMS**

a **Sondex** company  
www.aesla.com

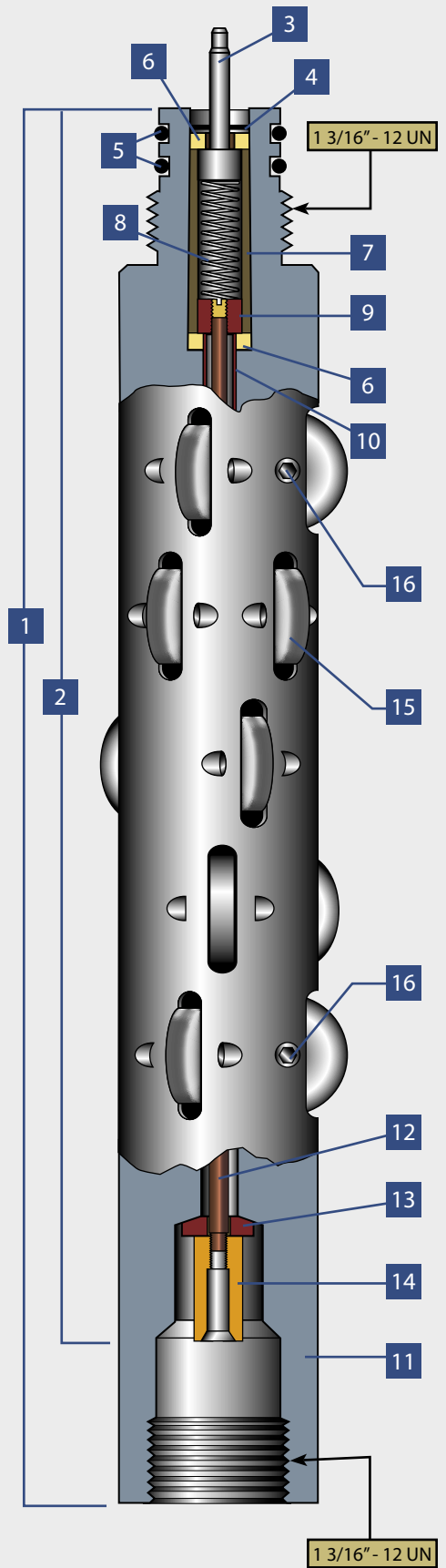
ACC0-13

# ACCESSORY COMPONENTS

## 1 3/4" Wireline Skate, 2 1/8" Drift

Ref.	Part No.	Description
1	AS9-0053	1 3/4" Wireline Skate, 2 1/8" Drift
2	KIT-9-0053	Complete Kit Assy *
3	1.-0033	Contact Plunger
4	HOO-0065	Retainer Ring
5	000-0211	O-Rings: 211
6	1.-0041	Insulating Washer
7	1.-0042	Contact Insulator
8	1.-0037	Contact Spring
9	1.375-0081	10-32 Contact Receptacle
10	BOO-0032	Insulating Sleeve
11	1.750-0059	Skate Body
12	1.687-0389	Contact Rod
13	1.-0086	Insulating Washer
14	1.-0087A	Contact Receptacle
15	3390	Skate Wheel
16	HOO-0133	3/16" x 1" Spiral Roll Pin

\*Does not include O-Rings.



**APPLIED  
ELECTRONIC  
SYSTEMS**

a **Sondex** company  
[www.aesla.com](http://www.aesla.com)

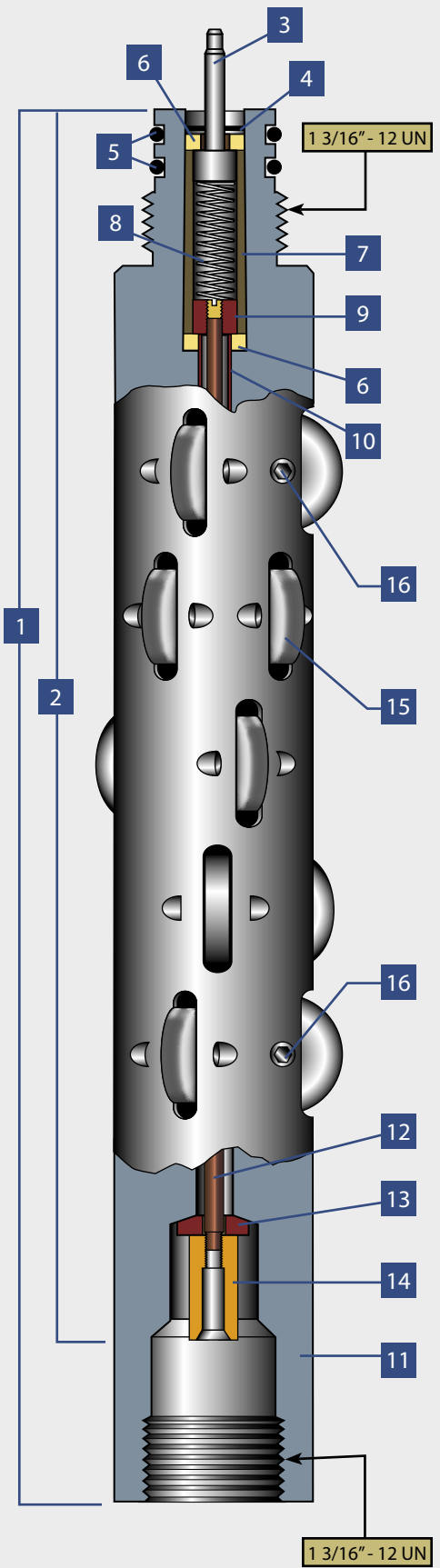
ACC0-14

# ACCESSORY COMPONENTS

## 2 1/16" Wireline Skate, 2 5/8" Drift

Ref.	Part No.	Description
1	AS9-0054	2 1/16" Wireline Skate, 2 5/8" Drift
2	KIT-9-0054	Complete Kit Assy *
3	1.-0033	Contact Plunger
4	HOO-0065	Retainer Ring
5	000-0211	O-Rings: 211
6	1.-0041	Insulating Washer
7	1.-0042	Contact Insulator
8	1.-0037	Contact Spring
9	1.375-0081	10-32 Contact Receptacle
10	BOO-0032	Insulating Sleeve
11	2.-0120	Skate Body
12	1.687-0389	Contact Rod
13	1.-0086	Insulating Washer
14	1.-0087A	Contact Receptacle
15	3428	Skate Wheel
16	HOO-0133	3/16" x 1" Spiral Roll Pin

\*Does not include O-Rings.



**APPLIED  
ELECTRONIC  
SYSTEMS**

a **Sondex** company  
[www.aesla.com](http://www.aesla.com)

ACC0-15

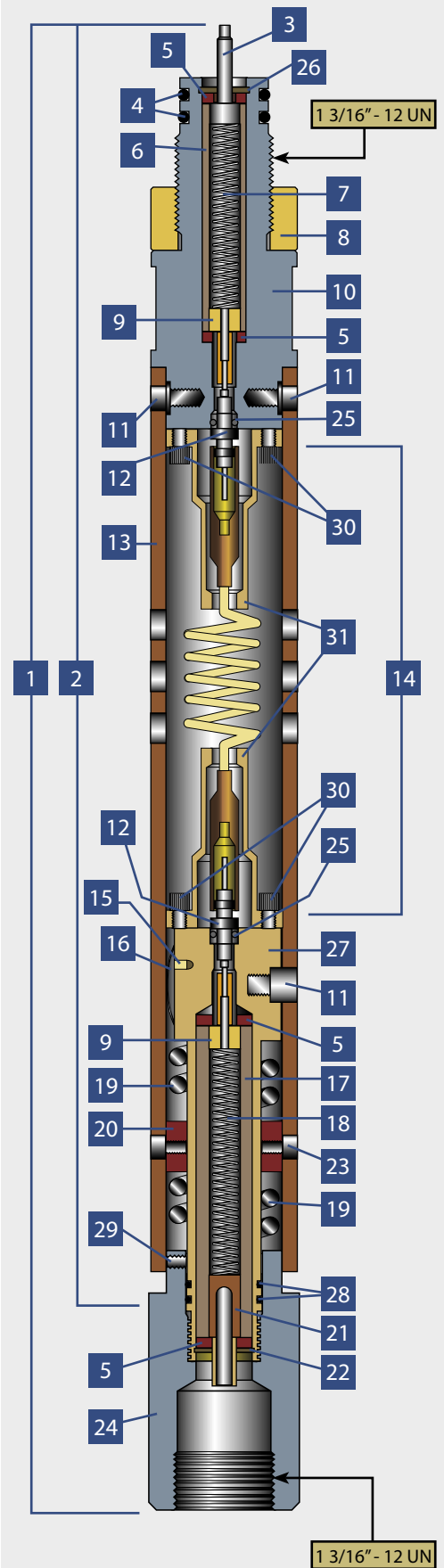
# ACCESSORY COMPONENTS

## 1 11/16" Shock Absorber Sub

500° Temp • Pressure Rating-20,000 psi • Tensile Strength-12,000 lbs • Compression Rating-550 lbs

Ref.	Part No.	Description
1	AS7-0005	1 11/16" Shock Absorber Sub Complete Assy
2	KIT-7-0005	Complete Kit Assy *
3	1.-0033	Contact Plunger
4	00V-0211-95	O-Rings: 211
5	1.-0041	Insulating Washer
6	1.750-0052	Contact Insulator
7	1.-0037-1	Contact Spring
8	1.750-0023	Locking Collar
9	PSA-019	Contact Assy
10	1.750-0022	Top Sub
11	HOO-0272	1/4-28 x 1/4" Socket Cap Screw
12	CON-0012A	Pressure Connector
13	1.750-0024	Shock Mandrel Housing
14	PSA-099	Wire Contact Assy
15	HOO-0004	4-40 x 1/8" Pan Head Screw
16	HOO-0126	Ground Spring
17	4660	Contact Insulator
18	1.-0037-1	Contact Spring (Cut to length)
19	4759	Springs
20	4665	Collar
21	1.750-0028	Contact Plunger
22	HOO-0065	Retainer Ring
23	HOO-0269	10-32 x 3/16" Socket Cap Screw
24	4659	Bottom Sub
25	000-0008	O-Rings: 008
26	HOO-0065	Retainer Ring
27	4658	Shock Mandrel
28	00V-0018-95	O-Rings: 018
29	HOO-0050	10-32 x 1/4" Set Screw
30	HOO-0498	Cap Head Screws
31	5101	Boot Protector

\*Does not include O-Rings.



**APPLIED  
ELECTRONIC  
SYSTEMS**

a **Sondex** company  
www.aesla.com

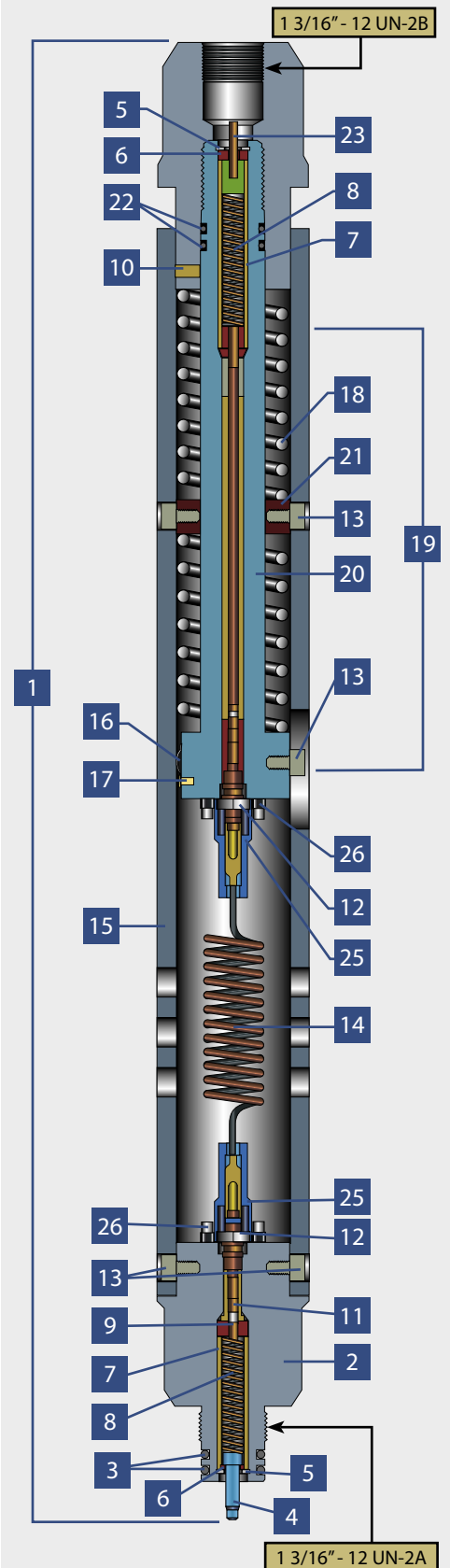
ACC0-16

# ACCESSORY COMPONENTS

## 2 3/4" Shock Absorber Sub

500° Temp • Pressure Rating-20,000 psi • Tensile Strength-60,000 lbs • Compression Rating-850 lbs

Ref.	Part No.	Description
1	AS9-0062	2 3/4" Shock Absorber Complete Assy
2	5066-1	2 3/4" Shock Tool (Top Sub)
3	000-0211	O-Rings: 211
4	1.0033	Contact Plunger
5	HOO-0065	Retainer Ring
6	1.-0041	Insulating Washer
7	4613	Contact Insulator
8	1.-0037-1	Contact Spring (Cut to length)
9	PSA-019	Brass Contact
10	HOO-0343	Set Screw
11	4932-1	Hat Type Insulator
12	CON-0107	Kemlon Connector
13	HOO-0274	5/16"-18 Cap Head Screw
14	PSA-099	Wire Contact Assy
15	5067	2 3/4" Shock Tool (Housing)
16	HOO-0126	Ground Spring
17	HOO-0004	4-40 x 1/8" Pan Head Screw
18	5065	Spring
19	PSA-098	Pre Sub Assy
20	5068	Shock Tool Mandrel
21	5072	Spring Spacer
22	000-0120	O-Rings: 120
23	1.750-0028	Contact Plunger
24	5069-1	Bottom Sub
25	5101	Boot Retainer
26	HOO-0498	10-32 Cap Head Screws



**APPLIED  
ELECTRONIC  
SYSTEMS**

a **Sondex** company

[www.aesla.com](http://www.aesla.com)

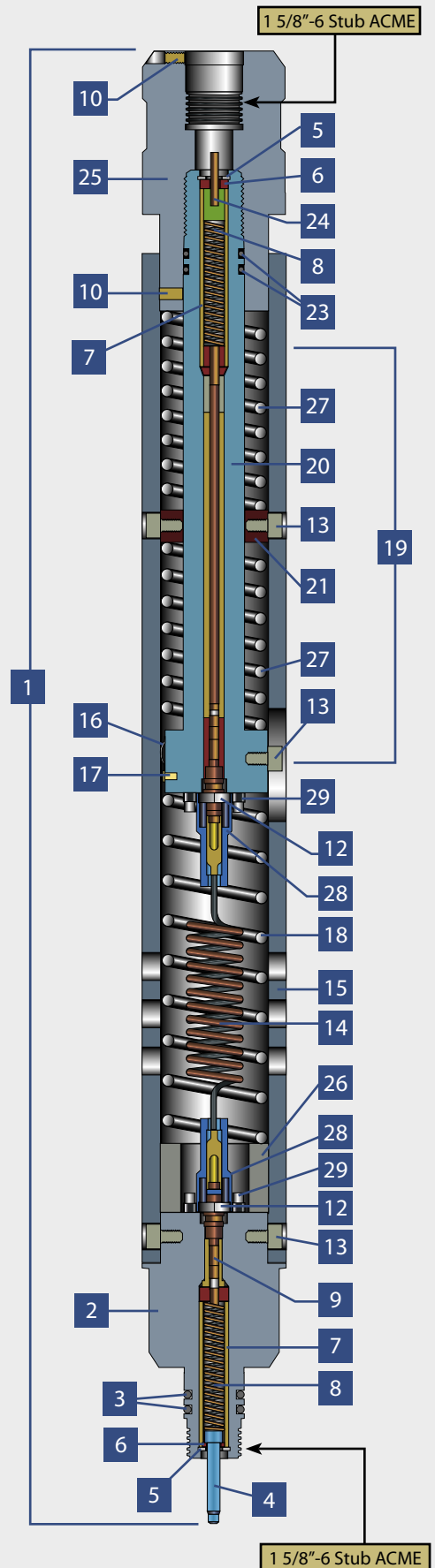
ACC0-17

# ACCESSORY COMPONENTS

## 3 1/8" Shock Absorber Sub

500° Temp • Collapse-20,000 psi • Tensile Strength-60,000 lbs • Compression Rating-930 lbs

Ref.	Part No.	Description
1	AS10-0013	3 1/8" Shock Absorber Complete Assy
2	4914	3 1/8" Shock Tool (Top Sub)
3	000-0222	O-Rings: 222
4	1.687-0003	Contact Plunger (Special)
5	HOO-0065	Retainer Ring
6	1.-0041	Insulating Washer
7	4660	Contact Insulator
8	1.-0037-1	Contact Spring (Cut to length)
9	PSA-019	Brass Contact
10	HOO-0343	Set Screw
11	4932-1	Hat Type Insulator
12	CON-0107	Kemlon Connector
13	HOO-0274	5/16"-18 Cap Head Screw
14	PSA-099	Wire Contact Assy
15	4915	3 1/8" Shock Tool (Housing)
16	HOO-0126	Ground Spring
17	HOO-0004	4-40 x 1/8" Pan Head Screw
18	2845	Spring
19	PSA-089	Pre Sub Assy.
20	4916	Shock Tool Mandrel
21	4917	Spring Spacer
22	PSA-024	Brass Contact
23	000-0126	O-Rings: 126
24	1.750-0028	Contact Plunger
25	4918	Bottom Sub
26	4934	Spring Spacer
27	2845-2	Springs
28	5101	Boot Retainer
29	HOO-0498	10-32 Cap Head Screws



**APPLIED  
ELECTRONIC  
SYSTEMS**

a **Sondex** company  
www.aesla.com

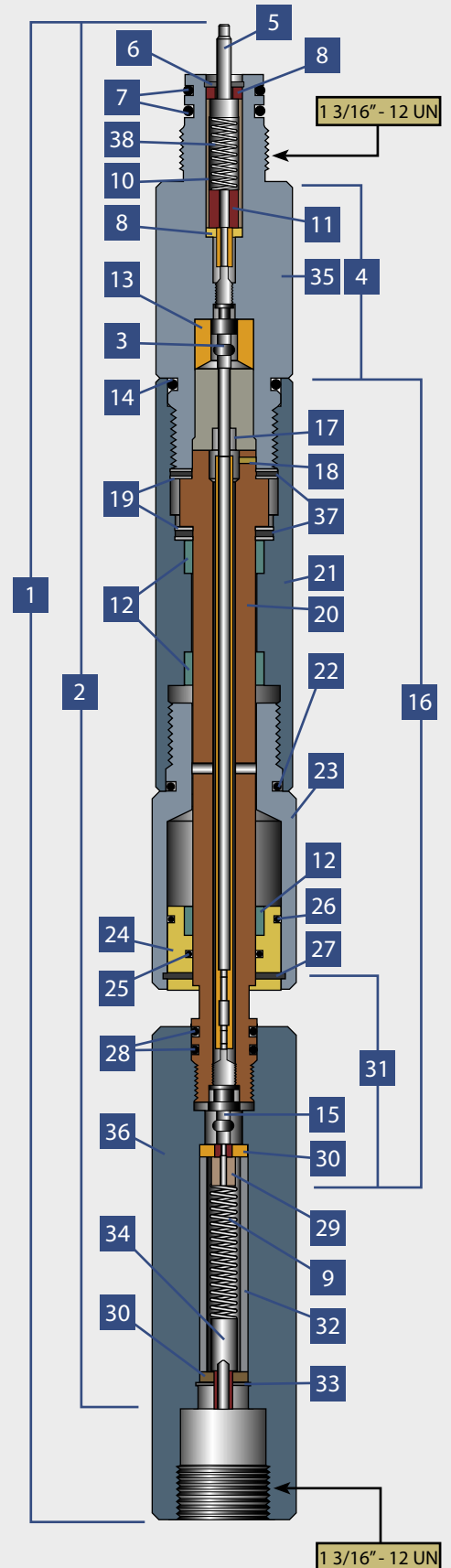
ACC0-18

# ACCESSORY COMPONENTS

## 1 1 1/16" Conductor Swivel Assembly

Ref.	Part No.	Description
1	AS7-0006	1 1 1/16" Conductor Swivel Complete Assy
2	KIT-7-0006	Complete Kit Assy *
3	CON-0061	Pressure Connector
4	PSA-020	Contact Assy
5	1.-0033	Contact Plunger
6	HOO-0065	Retainer Ring
7	00V-0211-95	O-Rings: 211
8	1.-0041	Insulating Washer
9	1.-0037-1	Contact Spring
10	1.-0042	Contact Insulator
11	PSA-019	Contact Assy
12	HOO-0073	Bearings
13	1.750-0016	Pressure Connector Insulator
14	00V-0217-95	O-Rings: 217
15	CON-0061A	Pressure Connector
16	PSA-053HA	Contact Assy
17	1.750-0029M	Contact Insulator
18	HOO-0025	6-32 x 3/16" Socket Set Screw
19	HOO-0320	Thrust Bearing
20	1.750-0013	Swivel Shaft
21	1.750-0009	Bearing Housing
22	00V-0217-95	O-Rings: 217
23	1.750-0010	Piston Housing
24	1.750-0012	Piston
25	00V-0018-70	O-Rings: 018
26	00V-0026-70	O-Rings: 026
27	HOO-0262	Retainer Ring
28	000-0113	O-Rings: 113
29	PSA-024	Contact Assy
30	0.625-0051	Contact Insulator
31	PSA-008	Contact Assy
32	1.750-0027	Contact Insulator
33	HOO-0254	Retainer Ring
34	1.750-0028	Contact Plunger
35	1.750-0008	GO Pin Adapter Sub Body
36	1.750-0011	GO Pin Adapter Sub Body
37	HOO-0321	Thrust Bearing Washer
38	1.0037	Contact Spring

\* Does not include O-Rings.



**APPLIED  
ELECTRONIC  
SYSTEMS**

a **Sondex** company

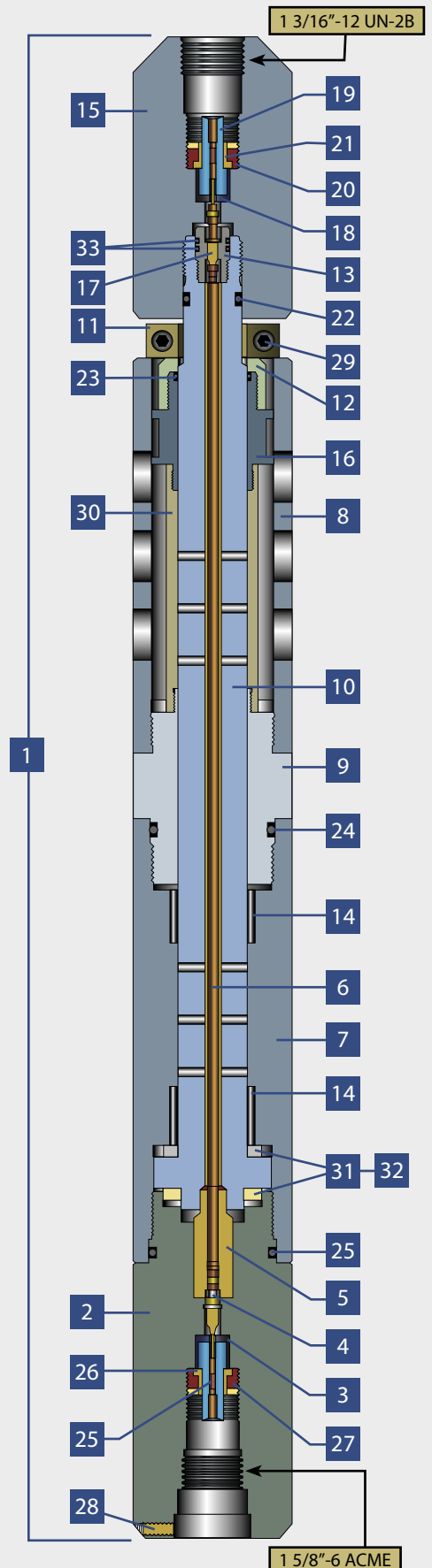
[www.aesla.com](http://www.aesla.com)

ACC0-19

# ACCESSORY COMPONENTS

## 2 7/8" Conductor Swivel Assembly

Ref.	Part No.	Description
1	AS10-0012-2 7/8	2 7/8" Swivel
2	5092	Top Sub
3	3005	Cup Insulator
4	CON-061	Kemlon Connection
5	4090	Swivel Top Insulator
6	4655-1	Contact Rod Assy
7	4050	Bearing Housing
8	4052	Boot Protector
9	4051	Boot Sub
10	4065	Swivel Shaft
11	4094	Split Spacer
12	4060	Boot End Cap
13	5150	Sealed Kemlon Holder
14	HOO-0500	Roller Bearing
15	4075	Connector Sub
16	4059	Boot End Sub
17	CON-061A MOD	Kemlon Connector (Modified)
18	3005	Cup Insulator
19	3006	Contact Assy
20	3029-1	Threaded Retainer Ring
21	3007	Hat Insulator
22	000-0212-95	O-Rings: 212
23	000-0218-70	O-Rings: 218
24	000-0228-95	O-Rings: 228
25	3006	Contact Assy
26	3007	Insulator
27	3029-1	Retainer Ring
28	HOO-0343	Set Screw
29	HOO-0302	1/4" -20 Cap Head Screws
30	BOO-0108	Rubber Boot
31	HOO-0459-1	Thrust Bearings
32	HOO-0459-2	Thrust Washer
33	000-014-95	O-Rings: 014



**APPLIED  
ELECTRONIC  
SYSTEMS**

a **Sondex** company  
[www.aesla.com](http://www.aesla.com)

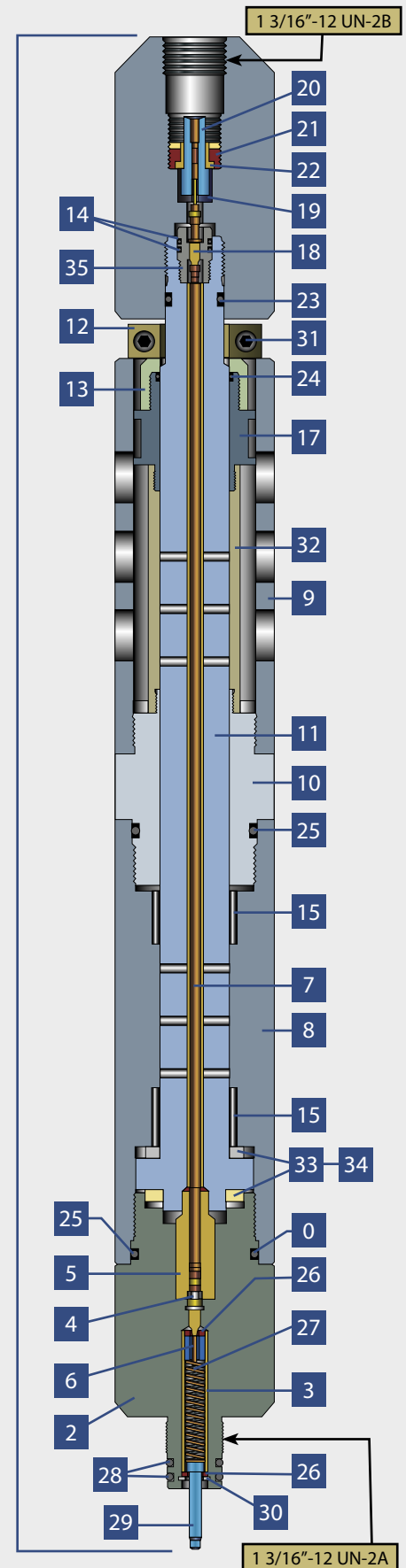
ACC0-20

# ACCESSORY COMPONENTS

## 3 1/8" Conductor Swivel Assembly

Also made with GO Quick Change Connections

Ref.	Part No.	Description
1	AS10-0012	3 1/4" AES Swivel
2	4049	Top Sub
3	2493	Spring Insulator
4	CON061	Kemlon Connection
5	4090	Swivel Top Insulator
6	PSA-024	Contact
7	4655-1	Contact Rod Assy
8	4050	Bearing Housing
9	4052	Boot Protector
10	4051	Boot Sub
11	4065	Swivel Shaft
12	4094	Split Spacer
13	4060	Boot End Cap
14	000-014	O-Rings: 014
15	HOO-0500	Roller Bearing
16	4075	Connector Sub
17	4059	Boot End Sub
18	CON-061A MOD	Kemlon Connector (Modified)
19	3005	Cup Insulator
20	3006	Contact Assy
21	3029-1	Threaded Retainer Ring
22	3007	Hat Insulator
23	000-0212-95	O-Rings: 212
24	000-0218-70	O-Rings: 218
25	000-0228-95	O-Rings: 228
26	1.0041	Insulator
27	1.0037	Spring
28	000-0211	O-Rings: 211
29	1.0033	Plunger
30	HOO-0065	Retainer Ring
31	HOO-0302	1/4" -20 Cap Head Screws
32	BOO-0108	Rubber Boot
33	HOO-0459-1	Thrust Bearings
34	HOO-0459-2	Thrust Washer
35	5150	Sealed Kemlon Holder



**APPLIED  
ELECTRONIC  
SYSTEMS**

a **Sondex** company

[www.aesla.com](http://www.aesla.com)

ACC0-21

# AES PARTS LIST

Part No.	Description	Section/Page
<b>5/8"</b>		
AS0-0006	5/8" Bull Plug	FP0-10
AS0-0018	5/8" Shot Rod Hanger Assembly (1/4" Rod)	FP0-39
AS0-0005	5/8" Casing Collar Locator Assy (NG)	CCL0-3
AS0-0004	AES 5/8"x2 1/2' Sinker Bar Assy	SBO-4
AS0-0013	AES 5/8"x3' Sinker Bar Assy	SBO-4
AS0-0003	5/8" Cable Head Assy (Clamp Ring)	CH0-3
AS0-0001	5/8" Tear Drop	ADA0-6
AS0-0007	5/8" Tear Drop Pressure	ADA0-6
AS0-0008	5/8" Pin 23/32 JRC Cutter Assy	ADA0-7
AS0-0009	Double Box Sub	ADA0-8
AS0-0011	Pipe Recovery System Chemical Cutter To Tear Drop	ADA0-9
AS0-0012	Pipe Recovery System Chemical Cutter to Pressure Connector	ADA0-9
AS0-0014	Double Pin Sub	ADA0-8
AS0-0015	Pipe Recover Chemical Cutter Pin	ADA0-9
AS0-0019	Resistor Sub Complete Assy	ADA0-10
<b>11/16"</b>		
AS1-00FP	11/16" Free Point Complete Assy	FP0-3
AS1-00FPM	11/16" Free Point Complete w/Magnetic Section	FP0-3
AS1-0002	11/16" Slack Joint Section Complete Assy	FP0-4
AS1-0003	11/16" Upper Bow Spring Complete Assy	FP0-5
AS1-0004	11/16" Sensor Section Complete Assy	FP0-6
AS1-0005	11/16" Lower Bow Spring Complete Assy	FP0-7
AS0-0019	5/8" Resistor Sub Complete Assy	FP0-9
AS1-0010	11/16" Upper Magnet Section Assy	FP0-11
AS1-0011	11/16" Lower Magnet Section Assy	FP0-11
AS1-0012	11/16" Magnet Extension Assy	FP0-11
AS1-0016	11/16" Shot Rod Hanger Assy (1/4" Rod)	FP0-39
AS1-0001	11/16" Casing Collar Locator (NG)	CCL0-3
AS1-0013	AES 11/16"x3' Sinker Bar Assy	SBO-4
AS1-0006	11/16" Cable Head Assy (Clamp Ring)	CH0-3
AS1-0014	11/16" Tear Drop Sub	FP0-8
<b>3/4"</b>		
AS2-0015	3/4" Shot Rod Hanger Assy (1/4" Rod)	FP0-39
AS2-0007	3/4" Casing Collar Locator Assy	CCL0-4
AS2-0005	3/4"x5' Steel Sinker Bar Assy	SBO-5
AS2-0004	3/4" Cable Head Assy (Clamp Ring)	CH0-4
AS1-0007	3/4" go Pin to 11/16" AES Box Assy	ADA0-12
AS1-0008	3/4" GO Pin to 11/16" AES Pin Assy	ADA0-13
AS1-0009	3/4" GO Box to 11/16" AES Pin Assy	ADA0-12
AS2-0001	5/8" AES Pin to 3/4" Pipe Recovery Systems Chemical Cutter	ADA0-19
AS2-0002	3/4" Tear Drop Assy	ADA0-15

**APPLIED  
ELECTRONIC  
SYSTEMS**

a **Sondex** company  
[www.aesla.com](http://www.aesla.com)

# AES PARTS LIST

Part No.	Description	Section/Page
<b>3/4" Continued</b>		
AS2-0006	3/4" Double GO Pin Assy	ADA0-16
AS2-0008	3/4" Double GO Box Assy	ADA0-16
AS2-0011	3/4" GO Pin to 3/4" Pipe Recovery Systems Chemical Cutter	ADA0-17
AS2-0012	3/4" AES Tear Drop to 3/4" Pipe Recovery Systems Chemical Cutter	ADA0-18
AS2-0013	3/4" GO Box to 3/4" Pipe Recovery Systems Chemical Cutter	ADA0-18
AS2-0014	3/4" AES Tear Drop to 11/16" AES Pin	ADA0-14
AS2-0016	3/4" Goex Severing Tool Tear Drop to 11/16" AES Pin	ADA0-14
<b>1"</b>		
AS3-00FP	1" Free Point Complete Assy	FP0-12
AS3-00FPM	1" Free Point Complete Magnet Section	FP0-12
AS3-0009	1" Slack Joint Section Complete Assy	FP0-13
AS3-0012	1" Upper & Lower Bow Spring Complete Assy	FP0-14
AS3-0011	1" Free Point Sensor Section Complete Assy	FP0-15
AS3-0031	1" Upper Magnet Section Complete Assy	FP0-18
AS3-0032	1" Lower Magnet Section Complete Assy	FP0-18
AS3-0033	1" Magnet Tool Extension Complete Assy	FP0-18
AS3-0037	1" Shot Rod Hanger Assembly (3/8" Rod)	FP0-39
AS3-0008	1" Casing Collar Locator Assy (NG)	CCL0-5
AS3-0014	1" GO Casing Collar Locator Assy (G)	CCL0-6
AS3-0004	1"x5' Sinker Bar Assy	SB0-6
AS3-0016	1"x5' Tungsten Sinker Bar Assy	SB0-6
AS3-0017	1"x7' Tungsten Sinker Bar Assy	SB0-6
AS3-0003	1" Cable Head Assy (Clamp Ring)	CH0-3
AS0-0010	AES 11/16" Pin to 1" GO Box Assy	ADA0-27
AS0-0034	AES 11/16" Box to GO Pin Assy	ADA0-27
AS3-0001	AES 1" Tear Drop to 1" GO Pin Assy	ADA0-20 & ACC0-3
AS3-0005	1" GO Double Pin Assy	ADA0-21
AS3-0006	1" GO Bull Plug Assy	ADA0-22
AS3-0007	1" GO Firing Sub Assy	ADA0-23
AS3-0018	12" GO Double Box Assy	ADA0-21
AS3-0019	5/8" Sucker Rod Box to 1" GO Box	ADA0-26
AS3-0020	5/8" Sucker Rod Pin to 1" GO Box	ADA0-26
AS3-0021	5/8" Sucker Rod Box to 1" GO Pin Assy	ADA0-26
AS3-0022	1" AES Combination Diode Sub Assy	ADA0-24
AS3-0026	5/8" Sucker Rod Pin to 1" GO Pin Assy	ADA0-26
AS3-0036	1" AES Tear Drop to 1" GO Box	ADA0-19
AS3-0042	1" Double Sealed Tear Drop Assy	ADA0-25
AS3-0023	1" Knuckle Joint Complete Assy	ACC0-3
AS3-0041	1" Shock Sub Assy	ACC0-7

**APPLIED  
ELECTRONIC  
SYSTEMS**

a **Sondex** company  
[www.aesla.com](http://www.aesla.com)

# AES PARTS LIST

Part No.	Description	Section/Page
<b>1 3/8"</b>		
AS4-00FP-16	1 3/8" x 16 Stroke Free Point Complete Assy	FP0-19
AS4-00FPM	1/38" x 16 Stroke Free Point Complete w/ Magnetic Sections	FP0-19
AS4-0016-16	1 3/8" AES Slack Joint Assy	FP0-20
AS4-0017	1 3/8" AES Upper & Lower Bow Spring Complete Assy	FP0-21
AS4-0018	1 3/8" AES Sensor Section Complete Assy	FP0-22
AS4-0020	1 3/8" Bull Plug Complete Assembly	FP0-24
AS4-0085	1 3/8" AES Free Point Upper Magnet Section	FP0-25
AS4-0086	1 3/8" AES Free Point Lower Magnet Section	FP0-25
AS4-0087	1 3/8" AES Free Point Magnet Tool Extension	FP0-25
AS4-0096	1 3/8" Shot Rod Hanger Assy (3/8" Rod)	FP0-39
AS4-0091	1 3/8" Casing Collar Locator Assy (G)	CCL0-7
AS4-0092	1 3/8" Casing Collar Locator Assy (NG)	CCL0-8
AS4-0004	1 3/8"x5' Steel Sinker Bar Assy	SB0-7
AS4-0009	1 3/8"x5' Tungsten Sinker Bar Assy	SB0-7
AS4-0015	1 3/8"x7' Tungsten Sinker Bar Assy	SB0-7
AS4-0099	1 3/8"x7' Lead Sinker Bar Assy	SB0-7
AS4-0095	1 3/8" Cable Head Assy (Cone & Washer)	CH0-6
AS4-0003	1 3/8" Cable Head Assy (Clamp Ring)	CH0-7
AS4-0073	1 3/8" Magnetic Decentralizer (Channel)	DEC0-3
AS4-0101	1 3/8" GO Pin to Double Sealed Tear Drop Magnet Decentralizer (Channel)	DEC0-4
AS4-0001	1 3/8" AES Tear Drop Sub Complete Assy	ADA0-29
AS4-0005	1 3/8" Double GO Pin Sub Assy	ADA0-30
AS4-0008	1 3/8" Atlas Pin to 1 3/8" GO Pin Assy	ADA0-32
AS4-0010	1 3/8" Atlas Box to 1 3/8" GO Pin Assy	ADA0-33
AS4-0011	1 3/8" Tear Drop to 1 3/8" Atlas Box Assy	ADA0-33
AS4-0012	1 3/8" Schlumberger Box to 1 3/8" GO Pin Assy	ADA0-34
AS4-0013	1 3/8" GO Box to 1 3/8" McCullough Box Assy	ADA0-35
AS4-0021	1 3/8" Atlas Pin to 1 3/8" GO Box Assy	ADA0-32
AS4-0022	1 3/8" Double GO Box Sub Assy	ADA0-30
AS4-0023	5/8" Sucker Rod Box to 1 3/8" GO Box Assy	ADA0-43
AS4-0024	5/8" Sucker Rod Pin to 1 3/8" GO Box Assy	ADA0-43
AS4-0025	5/8" Sucker Rod Box to 1 3/8" GO Pin Assy	ADA0-43
AS4-0027	1 3/8" Double Sealed Tear Drop Assy	ADA0-31
AS4-0028	5/8" Sucker Rod Pin to 1 3/8" Atlas Box	ADA0-42
AS4-0030	1" GO Box to 1 3/8" GO Box Assy	ADA0-28
AS4-0031	1 3/8" SIE Box to 1 3/8" GO Box Assy	ADA0-36
AS4-0035	1 3/8" Combination Diode Assy	ADA0-37
AS4-0037	5/8" Sucker Rod Double Box	ADA0-42
AS4-0038	5/8" Sucker Rod Box to 5/8" Sucker Rod Pin	ADA0-42
AS4-0039	1 3/8" GO Pin to 1 3/8" McCullough Pin Assy	ADA0-38
AS4-0040	5/8" Sucker Rod Box to 1 3/8" McCullough Pin	ADA0-42
AS4-0044	5/8" Sucker Rod Pin to 1 3/8" GO Pin Assy	ADA0-43
AS4-0045	1" GO Pin to 1 3/8" GO Pin Assy	ADA0-28

**APPLIED  
ELECTRONIC  
SYSTEMS**

a **Sondex** company  
[www.aesla.com](http://www.aesla.com)

# AES PARTS LIST

Part No.	Description	Section/Page
<b>1 3/8" Continued</b>		
AS4-0048	1 3/8" Schlumberger Box to 1 3/8" Tear Drop Sub Assy	ADA0-39
AS4-0049	1 3/8" Schlumberger Pin to 1 3/8" Tear Drop Sub Assy	ADA0-39
AS4-0032	1 3/8" Schlumberger Pin to 1 3/8" GO Pin Assy	ADA0-34
AS4-0093	5/8" Double Sucker Rod Pin	ADA0-42
AS4-0103	1 3/8" GO Box/Tear Drop w/Pressure Connector and Ground Screw	ADA0-40
AS4-0104	1 3/8" GO Pin/Tear Drop w/Pressure Connector and Ground Screw	ADA0-41
<b>1 7/16"</b>		
AS5-0008	1 7/16" Casing Collar Locator Assy (G)	CCL0-7
AS5-0006	1 7/16" Casing Collar Locator Assy (NG)	CCL0-8
AS5-0016	1 7/16"x5' Steel Sinker Bar Assy	SB0-7
AS5-0004	1 7/16"x5' Tungsten Sinker Bar Assy	SB0-7
AS5-0005	1 7/16"x7' Tungsten Sinker Bar Assy	SB0-7
AS5-0004SR	1 7/16"x5' Tungsten Sinker Bar Assy -5/8" Sucker Rod	SB0-7
AS5-0020	1 7/16"x3' Lead Sinker Bar Assy	SB0-7
AS5-0021	1 7/16"x5' Lead Sinker Bar Assy	SB0-7
AS5-0022	1 7/16"x7' Lead Sinker Bar Assy	SB0-7
AS5-0012	1 7/16" Cable Head Assy (Cone & Washer)	CH0-6
AS5-0009	1 7/16" Split Cable Head Assy (Cone & Washer)	CH0-6
AS5-0013	1 7/16" Cable Head Assy (Clamp Ring)	CH0-8
AS5-0023	1 7/16" Spring Centralizer	CEN0-3
AS5-0034	1 7/16" Mechanical Decentralizer	DEC0-5
AS5-0035	1 7/16" Mechanical Bottom Decentralizer	DEC0-6
AS5-0001	1 7/16" GO Pin to 1" GO Box Assy	ADA0-47
AS5-0007	1 7/16" GO Box to 1" GO Pin Assy	ADA0-46
AS5-0014	AES 1 7/16" Tear Drop Sub Assy	ADA0-47
AS5-0025	1 7/16" GO Double Pin Assy	ADA0-48
AS5-0026	1 7/16" GO Double Box Assy	ADA0-48
AS5-0028	AES 1 7/16" Double Sealed Tear Drop Assy	ADA0-45
AS5-0029	AES 1 7/16" Tear Drop Sub to 1 3/8" GO Box Assy	ADA0-47
AS5-0030	1 7/16" Double Sealed Tear Drop w/Adjustment Ring	ADA0-49
AS5-0031	1 7/16" GO Double Pin Sub w/ Adjustment Ring	ADA0-49
AS5-0015	1 7/16" Knuckle Joint Complete Assy	ACC0-4
AS5-0024	1 7/16" Shock Sub Assy	ACC0-8
AS5-0032	1 7/16" Wireline Skate, 1 5/8" Drift	ACC0-10
<b>1 1/2" - 1 5/8"</b>		
AS6-00FP-16	1 5/8" x 16 Stroke Free Point Complete Assy	FP0-26
AS6-00FPM-16	1 5/8" x 16 Stroke Free Point Complete Assy w/ Magnet Sections	FP0-26
AS6-0094-16	1 5/8" AES Slack Joint Assy (16" Stroke)	FP0-27
AS6-0093	1 5/8" Upper & Lower Bow Spring Assy	FP0-28
AS6-0092	1 5/8" AES Sensor Section	FP0-29

**APPLIED  
ELECTRONIC  
SYSTEMS**

a **Sondex** company  
[www.aesla.com](http://www.aesla.com)

# AES PARTS LIST

Part No.	Description	Section/Page
<b>1 1/2" - 1 5/8" Continued</b>		
AS6-0101	1 5/8" Combination Diode Complete Assy	FP0-30
AS6-0100	1 5/8" Bull Plug Complete Assembly	FP0-31
AS6-0096	1 5/8" AES Free Point Upper Magnet Section	FP0-32
AS6-0097	1 5/8" AES Free Point Lower Magnet Section	FP0-32
AS6-0095	1 5/8" AES Free Point Magnet Tool Extension	FP0-32
AS6-00FPHP-36	1 5/8" High Pressure Free Point Tool – 16" Stroke	FP0-33
AS6-0094-36HP	1 5/8" AES Slack Joint (36" Stroke) HP	FP0-34
AS6-0093HP	1 5/8" Bow Spring HP	FP0-35
AS6-0092PCHP	1 5/8" Sensor Section (Piston) HP	FP0-36
AS6-0100HP	1 5/8" High Pressure Grounded Bull Plug Assy	FP0-37
AS6-0101HP	1 5/8" HP Comb Diode Sub	FP0-38
AS6-0104	1 5/8" Shot Rod Hanger Assy (3/8" Rod)	FP0-39
AS6-0102	1 5/8" Casing Collar Locator Assy (G)	CCL0-8
AS6-0103	1 5/8" Casing Collar Locator Assy (NG)	CCL0-7
AS6-0067	1 9/16" Magnetic Decentralizer (Channel)	DEC0-10
AS6-0074	1 9/16" Bottom Decentralizer (Button)	DEC0-12
AS6-0057	1 9/16" Bottom Decentralizer (Channel)	DEC0-9
AS6-0049	1 9/16" Lower Decentralizer Adaptor	DEC0-8
AS8-0001	1 1/2" GO Low Pressure Firing Sub Assy	ADA0-50
AS8-0002	3/4" Sucker Rod Pin to 1 3/8" GO Pin Assy	ADA0-44
AS8-0003	3/4" Sucker Rod Box to 1 3/8" Box Pin Assy	ADA0-44
AS8-0005	1 1/2" GO High Pressure Firing Sub Assy	ADA0-50
AS8-0006	3/4" Sucker Rod Box to 1 3/8" GO Pin Assy	ADA0-44
AS8-0007	1 1/2" GO Firing Sub to Atlas Sub Assy	ADA0-51
AS6-0045	1 9/16" RTG Tandem Sub Assy	ADA0-52
AS6-0047	1 9/16" RTG Bottom Sub Adaptor Assy	ADA0-52
AS6-0046	1 9/16" RTG Top Sub Assy	ADA0-52
AS6-0048	1 9/16" RTG Bull Plug Assy	ADA0-52
AS6-0049	1 9/16" Lower Decentralizer Adaptor Assy	ADA0-52
AS6-0071	1 9/16" Lower Blast Sub	ADA0-52
AS6-0063	1 9/16" Shock Sub Assy	ACC0-8
AS5-0033	1 1/2" Wireline Skate, 1.71" Drift	ACC0-11
AS6-0077	1 9/16" Wireline Skate, 1 13/16" Drift	ACC0-12
AS6-0083	1 5/8" Wireline Skate, 1.875" Drift	ACC0-13
AS6-0005	1 11/16" Casing Collar Locator (G)	CCL0-9
AS6-0003-1	1 11/16"x3' Tungsten Sinker Bar Assy	SB0-7
AS6-0003	1 11/16"x5' Tungsten Sinker Bar Assy	SB0-7
AS6-0004	1 11/16"x7' Tungsten Sinker Bar Assy	SB0-7
AS6-0003SR	1 11/16"x5' Tungsten Sinker Bar Assy -5/8" Sucker Rod	SB0-7
AS6-0050OTL	1 11/16"x5' Tungsten Over The Line Sinker Bar	SB0-7
AS6-0051OTL	1 11/16"x7' Tungsten Over The Line Sinker Bar	SB0-7
AS6-0032	1 11/16"x3' Lead Sinker Bar Assy	SB0-7
AS6-0033	1 11/16"x5' Lead Sinker Bar Assy	SB0-7
AS6-0034	1 11/16"x7' Lead Sinker Bar Assy	SB0-7
AS6-0059	1 11/16" Cable Head Assy (Cone & Washer)	CH0-8

**APPLIED  
ELECTRONIC  
SYSTEMS**

a **Sondex** company  
[www.aesla.com](http://www.aesla.com)

# AES PARTS LIST

Part No.	Description	Section/Page
<b>1 1/2" - 1 5/8" Continued</b>		
AS6-0036	1 11/16" Cable Head Assy (Clamp Ring)	CH0-9
AS6-0066	1 11/16" Spring Centralizer	CEN0-3
AS6-0091	1 11/16" Roller Centralizer	CEN0-4
AS6-0030	1 11/16" Magnetic Decentralizer (Channel)	DEC0-7
AS6-0072	1 11/16" Magnetic Decentralizer (Button)	DEC0-11
AS6-0061	1 11/16" Bottom Decentralizer (Channel)	DEC0-9
AS6-0082	1 11/16" GO Box to Double Sealed Tear Drop Magnetic Decentralizer (Channel)	DEC0-13
AS6-0001	1 11/16" Schlumberger Box to 1 3/8" GO Pin Assy	ADA0-53
AS6-0018	1 11/16" Schlumberger Pin to 1 3/8" GO Pin Assy	ADA0-53
AS6-0065	1 11/16" AES Tear Drop Sub to 1 3/8" GO Box Assy	ADA0-54
AS6-0037	1 11/16" AES Tear Drop Sub Assy	ADA0-54
AS6-0060	1 11/16" GO Double Box Assy	ADA0-55
AS6-0070	1 11/16" Go Double Pin Assy	ADA0-55
AS6-0076	1 11/16" Go Firing Sub Assy	ADA0-56
AS6-0079	1 11/16" Schlumberger Pin to 1 3/8" Go Box Assy	ADA0-57
AS6-0085	1 11/16" Go Box/Tear Drop w/ Pressure Connection and Ground Screw	ADA0-58
AS6-0086	1 11/16" GO Pin/Tear Drop w/Pressure Connection and Ground Screw	ADA0-59
AS6-0062	1 11/16" Knuckle Joint Complete Assy	ACC0-5
AS6-0080	1 11/16" OTL Go Knuckle Joint Assy	ACC0-6
AS6-0064	1 11/16" Shock Sub Assy	ACC0-8
AS7-0005	1 11/16" Shock Absorber Sub Complete Assy	ACC0-16
AS7-0006	1 11/16" Conductor Swivel Complete Assy	ACC0-19

## 1 3/4" - 3 1/4"

AS9-0048	2 1/8" Casing Collar Locator Assy (G)	CCL0-10
AS9-0021	3 1/4" Casing Collar Locator Assy (G)	CCL0-11
AS9-0021 - 3 1/8"	3 1/8" Casing Collar Locator Assy (G)	CCL0-11
AS9-0050	2 3/4" Spring Centralizer	CEN0-5 & 6
AS9-0050RA	2 3/4" Roller Centralizer	CEN0-5 & 6
AS9-0003	2" Magnetic Decentralizer (Channel)	DEC0-14
AS9-0045	2" Magnetic Decentralizer (Button)	DEC0-15
AS9-0043	2" Bottom Decentralizer (Channel)	DEC0-16
AS9-0047	2" Bottom Decentralizer (Button)	DEC0-16
AS7-0013	2 1/2" Quick Change Box to GO Box	ADA0-62
AS9-0028	3 1/4" Quick Change Assy	ADA0-63
AS9-0029	3 1/8" Quick Change Assy	ADA0-64
AS9-0031	2" RTG Tandem Sub Assy	ADA0-65
AS9-0032	2" RTG Top Sub Assy	ADA0-65
AS9-0033	2" RTG Bull Plug Assy	ADA0-65
AS9-0042	2" RTG Bottom Adaptor Sub Assy	ADA0-65
AS10-0001	#20 Baker Firing Head Setting Tool Assy	ADA0-68
AS10-0002	#10 Baker Firing Head to GO Quick Change Assy	ADA0-66

**APPLIED  
ELECTRONIC  
SYSTEMS**

a **Sondex** company  
[www.aesla.com](http://www.aesla.com)

# AES PARTS LIST

Part No.	Description	Section/Page
<b>1 3/4" - 3 1/4" Continued</b>		
AS10-0003	#20 Baker Firing Head to GO Quick Change Assy	ADA0-66
AS10-0004	#20 Baker Firing Head to GO Quick Change Complete Assy	ADA0-67
AS10-0005	#10 Baker Firing Head to GO Quick Change Assy	ADA0-67
AS10-0006	#10 Baker Firing Head Setting Tool Assy	ADA0-69
AS9-0053	1 3/4" Wireline Skate, 2 1/2" Drift	ACC0-14
AS9-0056	2 1/2" Shock Absorber Assy	ACC0-9
AS9-0054	2 1/6" Wireline Skate, 2 5/8" Drift	ACC0-15
AS9-0062	2 3/4" Shock Absorber Complete Assy	ACC0-17
AS10-0013	3 1/8" Shock Absorber Complete Assy	ACC0-18
AS10-0012-2 7/8"	2 7/8" Swivel	ACC0-20
AS10-0012	3 1/4" AES Swivel	ACC0-21

## Panels

PSS00	Portable Shooting Supply Panel	PAN0-3
PSC00	Portable Collar Locator & Shooting Supply Panel	PAN0-4
PFPCCL-00-1 5/8"	Portable Free Point Casing Collar Locator Panel	PAN0-5
PFPCCL-00	Portable Free Point Casing Collar Locator Panel	PAN0-5
PFPO0	Portable Free Point Panel	PAN0-6
PFPO0 - 1 5/8"	Portable Free Point Panel	PAN0-6
PCP00	Portable Combination Panel	PAN0-7
PCP00 - 1 5/8"	Portable Combination Panel	PAN0-7
PFPCCL-01	Universal Portable Free point Casing Collar Locator Panel	PAN0-8
FPCCLRM-00	Standard Free Point Casing Collar Locator Rockmount	PAN0-9
FPCCLRM-00 - 1 5/8"	Standard Free Point Casing Collar Locator Rockmount	PAN0-9
FPCCLRM-01	Universal Free Point Casing Collar Locator Rockmount	PAN0-9
PAS00	Portable Speaker System	PAN0-10
GRD00	Grounding Reel	PAN0-11

**APPLIED  
ELECTRONIC  
SYSTEMS**

a  company

[www.aesla.com](http://www.aesla.com)