

DECENTRALIZER SPECIFICATIONS

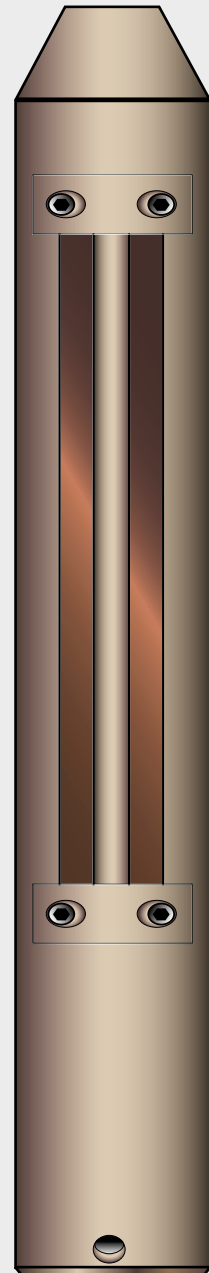


DECENTRALIZERS

DECENTRALIZERS

AES has magnetic and mechanical decentralizers available.

Parameters	Imperial	Metric
OD Size:	1 3/8" – 2"	34.9 mm - 50.8 mm
Weight:	—	—
Temperature:	500°F	260°C
Pressure:	21,000psi	144 MPa
Type:		



**APPLIED
ELECTRONIC
SYSTEMS**

a **Sondex** company
www.aesla.com

DECENTRALIZERS PRODUCT RANGES

Part No.	Description	Page
----------	-------------	------

1 3/8"

AS4-0073	1 3/8" Magnetic Decentralizer (Channel)	DEC0-3
AS4-0101	1 3/8" GO Pin to Double Sealed Tear Drop Magnetic Decentralizer (Channel)	DEC0-4

1 7/16"

AS5-0034	1 7/16" Mechanical Decentralizer	DEC0-5
AS5-0035	1 7/16" Mechanical Bottom Decentralizer	DEC0-6

1 9/16"

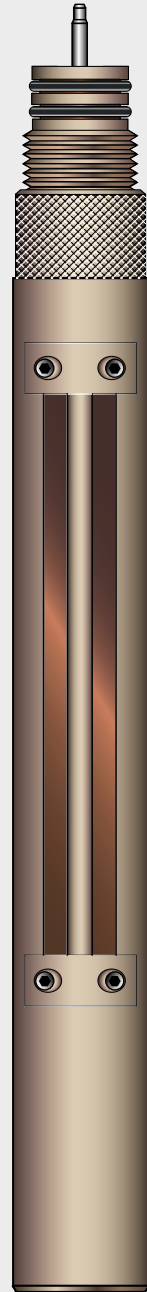
AS6-0067	1 9/16" Magnetic Decentralizer (Channel)	DEC0-10
AS6-0074	1 9/16" Bottom Decentralizer (Button)	DEC0-12
AS6-0057	1 9/16" Bottom Decentralizer (Channel)	DEC0-9
AS6-0049	1 9/16" Lower Decentralizer Adapter	DEC0-8

1 11/16"

AS6-0030	1 11/16" Magnetic Decentralizer (Channel)	DEC0-7
AS6-0072	1 11/16" Magnetic Decentralizer (Button)	DEC0-11
AS6-0061	1 11/16" Bottom Decentralizer (Channel)	DEC0-9
AS6-0082	1 11/16" GO Box to Double Sealed Tear Drop Magnetic Decentralizer (Channel)	DEC0-13

2"

AS9-0003	2" Magnetic Decentralizer (Channel)	DEC0-14
AS9-0045	2" Magnetic Decentralizer (Button)	DEC0-15
AS9-0043	2" Bottom Decentralizer (Channel)	DEC0-9
AS9-0047	2" Bottom Decentralizer (Button)	DEC0-16



**APPLIED
ELECTRONIC
SYSTEMS**

a **Sondex** company

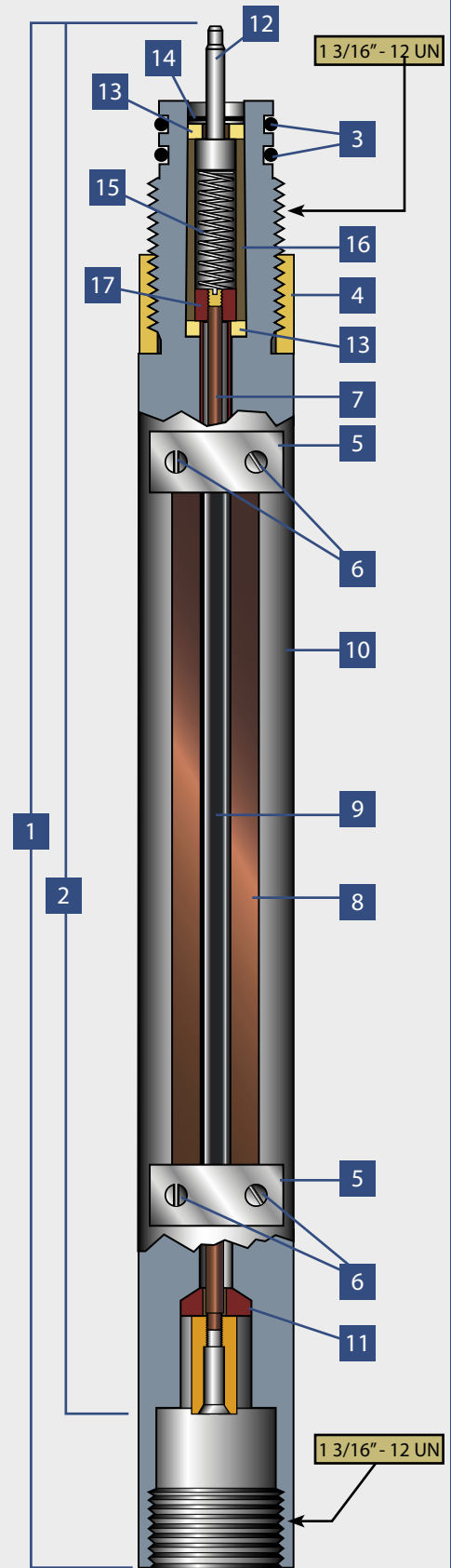
www.aesla.com

DECENTRALIZERS COMPONENTS

1 3/8" Magnetic Decentralizer Channel Type Magnet

Ref.	Part No.	Description
1	AS4-0073	1 3/8" Magnetic Decentralizer Complete Assy
2	KIT-4-0073	Contact Kit Assy *
3	000-0211	O-Rings: 211
4	1.375-0333	Adjustment Ring
5	1.375-0273	Magnet Clamp
6	H00-0261	10-32 x 3/8" Button Head Socket Set Screw
7	1.375-0459	10-32 Contact Rod
8	H00-0277	Magnet
9	1.375-0471	Channel Magnet Clamp Rod
10	1.375-0274	1 3/8" Decentralizer Body
11	1.0086	Beveled Insulator
12	1.0033	Contact Plunger
13	1.0041	Insulating Washer
14	H00-0065	Retainer Ring
15	1.0037	Contact Spring
16	1.0042	Contact Insulator
17	1.375-0081	10-32 Contact
18	1.0087A	10-32 Contact Receptacle

*Does not include O-Rings.



**APPLIED
ELECTRONIC
SYSTEMS**

a **Sondex** company
www.aesla.com

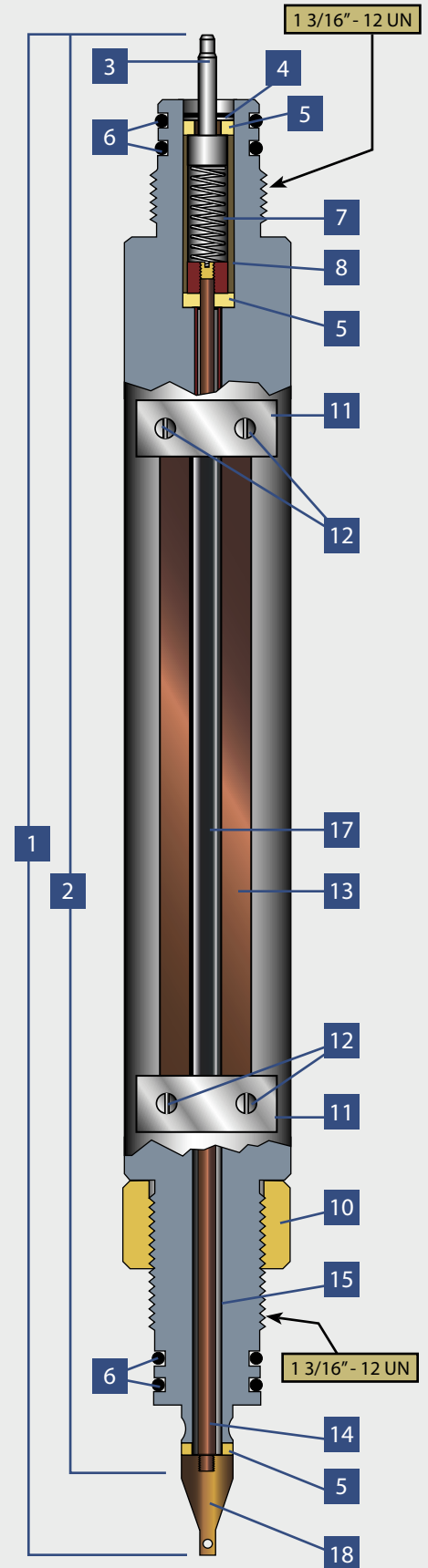
DEC0-3

DECENTRALIZERS COMPONENTS

1 3/8" GO Pin to Double Sealed Tear Drop Decentralizer Channel Type Magnet

Ref.	Part No.	Description
1	AS4-0101	1 3/8" GO Pin to Double Sealed Tear Drop Decentralizer
2	KIT-4-0101	Contact Kit Assy *
3	1.-0033	Contact Plunger
4	HOO-0065	Retainer Ring
5	1.-0041	Insulating Washer
6	000-0211	O-Rings: 211
7	1.-0037	Contact Rod
8	1.-0042	Contact Insulator
9	1.375-0081	10-32 Contact Receptacle
10	1.375-0333	Adjustment Ring
11	1.375-0273	Magnet Clamp
12	HOO-0261	10-32 x 3/8" Button Head Socket Set Screw
13	HOO-0277	Magnet
14	1.687-0390	Contact Rod
15	BOO-0032	Insulating Sleeve
16	1.375-0513	1 3/8" Decentralizer Body
17	1.375-0471	Channel Magnet Clamp Rod
18	1.375-0030	10-32 Cone Receptacle

*Does not include O-Rings.



**APPLIED
ELECTRONIC
SYSTEMS**

a **Sondex** company
www.aesla.com

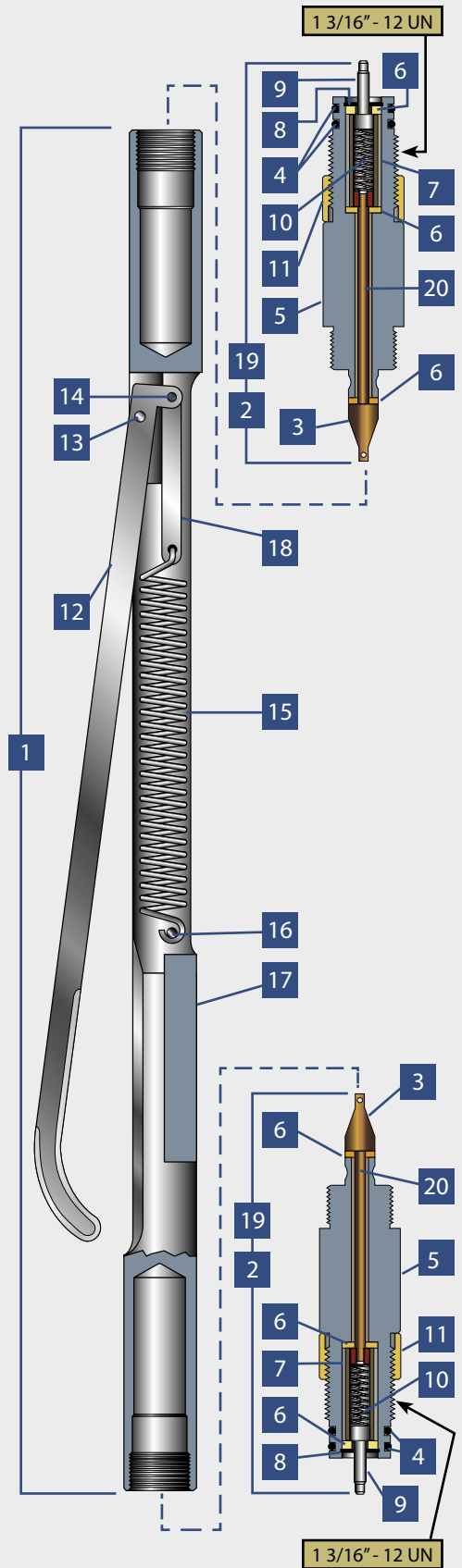
DEC0-4

DECENTRALIZERS COMPONENTS

1 7/16" Mechanical Decentralizer

Ref.	Part No.	Description
1	AS5-0034	1 7/16" Mechanical Decentralizer Assy
2	AS5-0037	1 7/16" Tear Drop / GO Pin
3	1.375-0030	10-32 Cone Nut
4	000-0211	O-Rings: 211
5	1.437-0119	Contact Sub Body
6	1.-0041	Insulating Washer
7	1.-0042	Contact Insulator
8	HOO-0065	Retainer Ring
9	1.-0033	Contact Plunger
10	1.-0037	Contact Spring
11	1.437-0080	1 7/16" Adjustment Ring
12	3670	Kick-over Tool Arm
13	HOO-0133	Roll Pin, 3/16" x 1" Spiral
14	HOO-0434	1/8" x 3/8" Roll Pin
15	OMF-0012	Spring 1 7/16" Mechanical Decentralizer
16	HOO-0355	Roll Pin, 3/16" x 1 1/2" S/S
17	3262	1 7/16" Mechanical Decentralizer Double Box
18	3643	Connecting Arm
19	KIT-5-0037	Contact Kit Assy *
20	1.375-0537	10-32 Contact Rod x 3.500"

*Does not include O-Rings.



**APPLIED
ELECTRONIC
SYSTEMS**

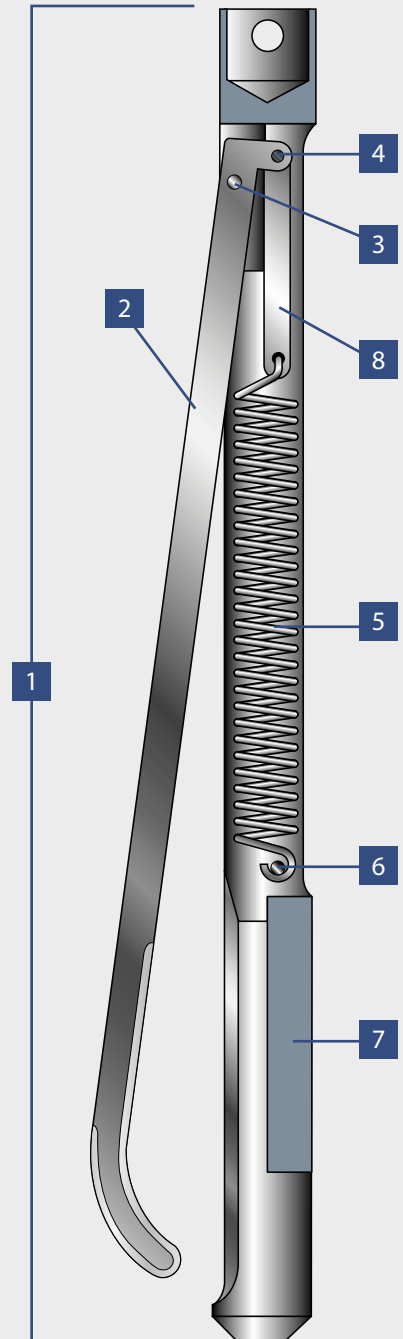
a **Sondex** company
www.aesla.com

DEC0-5

DECENTRALIZERS COMPONENTS

1 7/16" Mechanical Decentralizer Bottom

Ref.	Part No.	Description
1	AS5-0035	1 7/16" Mechanical Decentralizer Bottom Assy
2	3670	Kick-over Tool Arm
3	HOO-0133	Roll Pin, 3/16" x 1" Spiral
4	HOO-0434	1/8" x 3/8" Roll Pin
5	OMF-0012	Spring 1 7/16" Mechanical Decentralizer
6	HOO-0355	Roll Pin, 3/16" x 1 1/2" S/S
7	1.437-0120	1 7/16" Kick-over Tool Housing
8	3643	Connecting Arm



**APPLIED
ELECTRONIC
SYSTEMS**

a **Sondex** company
www.aesla.com

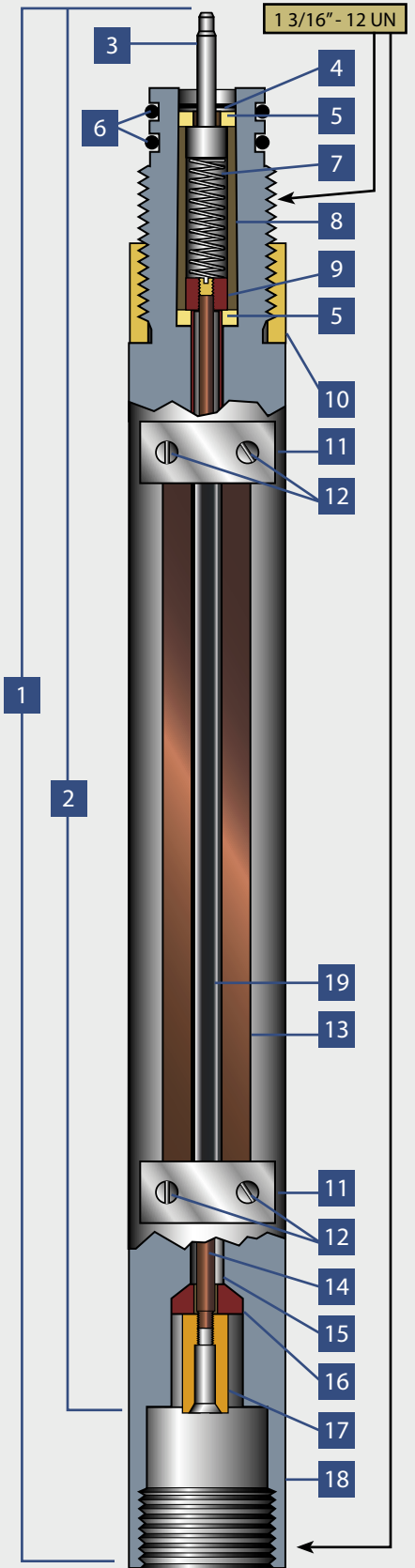
DEC0-6

DECENTRALIZERS COMPONENTS

1 11/16" Magnetic Decentralizer Channel Type Magnet

Ref.	Part No.	Description
1	AS6-0030	1 11/16" Magnetic Decentralizer Assy
2	KIT-6-0030	Contact Kit Assy *
3	1.-0033	Contact Plunger
4	HOO-0065	Retainer Ring
5	1.-0041	Insulating Washer
6	000-0211	O-Rings: 211
7	1.-0037	Contact Spring
8	1.-0042	Contact Insulator
9	1.375-0081	10-32 Contact
10	1.687-0124	Adjustment Ring
11	1.687-0077	Magnet Clamp
12	HOO-0117	10-32 x 1/2" Button Head Socket Set Screw
13	HOO-0259	Magnet
14	1.375-0459	Contact Rod
15	BOO-0032	Insulating Sleeve
16	1.-0086	Beveled Insulating Washer
17	1.-0087A	10-32 Contact Receptacle
18	1.687-0102	1 11/16" Decentralizer Body
19	1.375-0471	Channel Magnet Clamp Rod

*Does not include O-Rings.



**APPLIED
ELECTRONIC
SYSTEMS**

a **Sondex** company

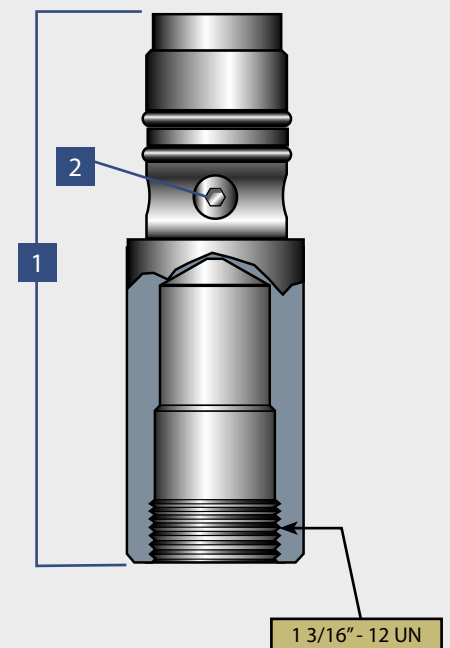
www.aesla.com

DEC0-7

DECENTRALIZERS COMPONENTS

1 9/16" RTG Pin To Go Box Adapter

Ref.	Part No.	Description
1	AS6-0049	1 9/16" Lower Decentralizer Adapter
2	H00-0273	1/4-20 x 1/4" Socket Head Cap Screw



**APPLIED
ELECTRONIC
SYSTEMS**

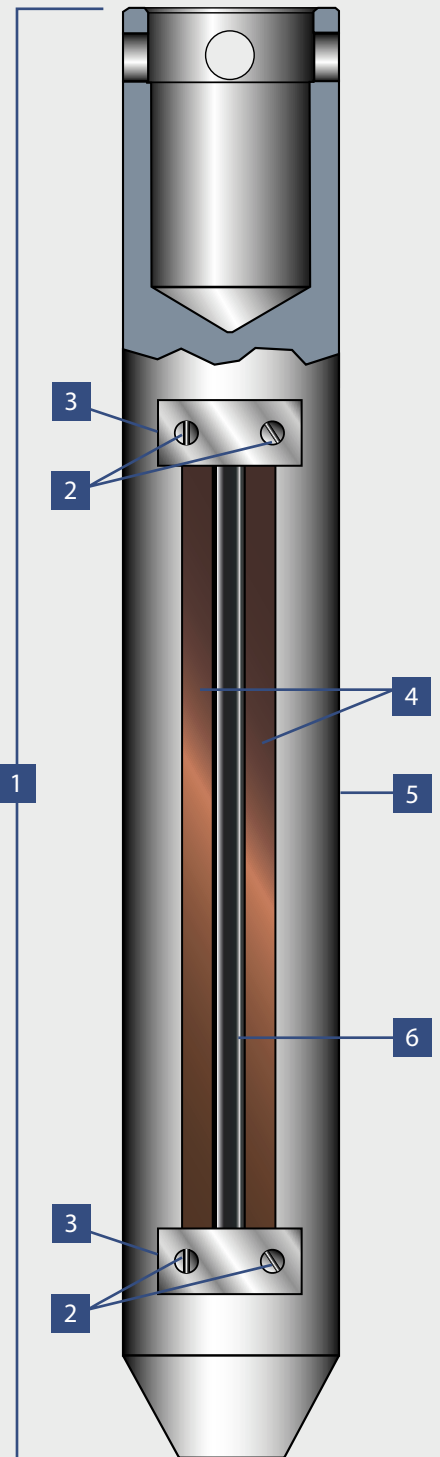
a **Sondex** company
www.aesla.com

DEC0-8

DECENTRALIZERS COMPONENTS

1 9/16", 1 11/16" & 2" RTG Bottom Decentralizer Channel Type Magnet

Ref.	Part No.	Description
1	AS6-0057	1 9/16" Bottom Decentralizer Complete Assy.
	AS6-0061	1 11/16" Bottom Decentralizer Complete Assy.
	AS9-0043	2" Bottom Decentralizer Complete Assy.
2	HOO-0117	10-32 x 1/2" Button Head Socket Screw
3	1.687-0077	1 9/16" or 1 11/16" Magnet Clamps
	2.-0012	2" Magnet Clamps
4	HOO-0259	Channel Magnets
5	1.562-0011	1 9/16" Decentralizer Body
	1.687-0235	1 11/16" Decentralizer Body
	2.-0094	2" Decentralizer Body
6	1.375-0471	Channel Magnet Clamp Rod



**APPLIED
ELECTRONIC
SYSTEMS**

a **Sondex** company

www.aesla.com

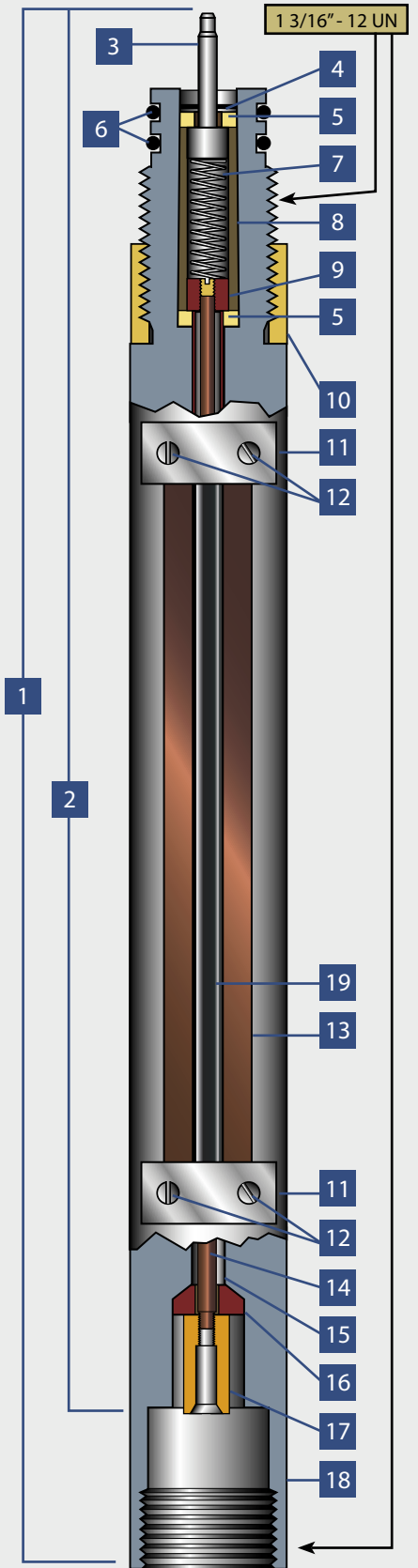
DEC0-9

DECENTRALIZERS COMPONENTS

1 9/16" Magnetic Decentralizer Channel Type Magnet

Ref.	Part No.	Description
1	AS6-0067	1 9/16" Magnetic Decentralizer Assy
2	KIT-6-0067	Contact Kit Assy *
3	1.-0033	Contact Plunger
4	HOO-0065	Retainer Ring
5	1.-0041	Insulating Washer
6	000-0211	O-Rings: 211
7	1.-0037	Contact Spring
8	1.-0042	Contact Insulator
9	1.375-0081	10-32 Contact
10	1.437-0080	Adjustment Ring
11	1.687-0077	Magnet Clamp
12	HOO-0117	10-32 x 1/2" Button Head Socket Set Screw
13	HOO-0259	Magnet
14	1.375-0459	Contact Rod
15	BOO-0032	Insulating Sleeve
16	1.-0086	Beveled Insulating Washer
17	1.-0087A	10-32 Contact Receptacle
18	1.562-0017	1 9/16" Decentralizer Body
19	1.375-0471	Channel Magnet Clamp Rod

*Does not include O-Rings.



**APPLIED
ELECTRONIC
SYSTEMS**

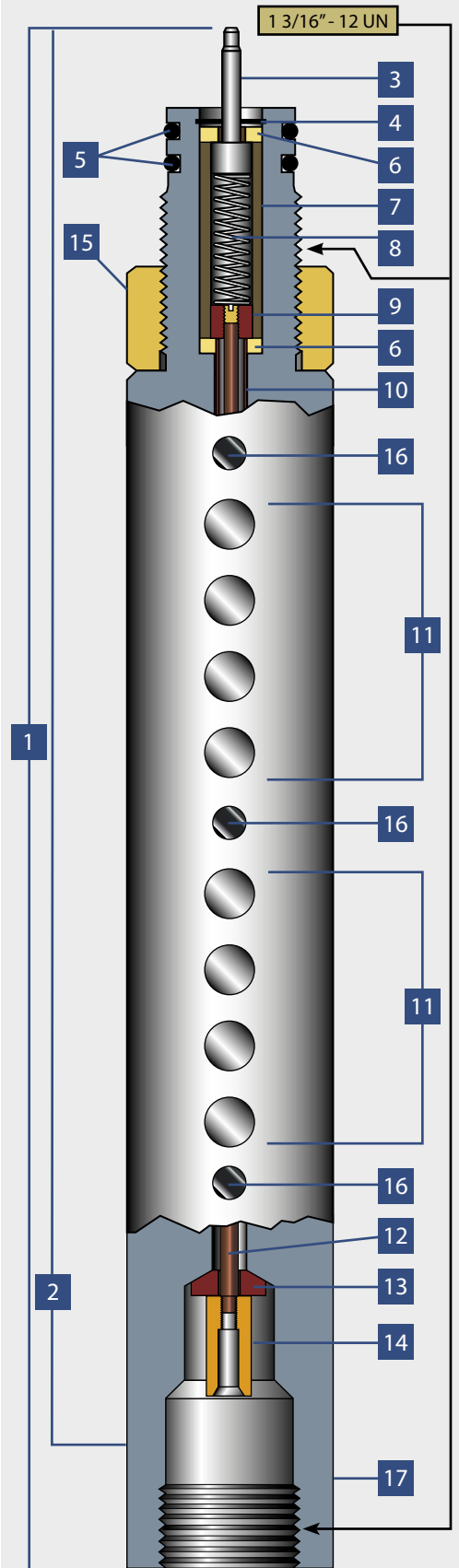
a **Sondex** company
www.aesla.com

DEC0-10

DECENTRALIZERS COMPONENTS

1 11/16" Magnetic Decentralizer Button Type Magnet

Ref.	Part No.	Description
1	AS6-0072	1 11/16" Decentralizer
2	Kit-6-0072	Contact Assy
3	1.-0086	Beveled Insulating Washer
4	1.-0087A	10-32 Contact Receptacle
5	BOO-0032	Insulating Sleeve
6	2.-0105	10-32 Contact Rod
7	HOO-0317	Carbide Pads
8	HOO-0279	Decentralizer Magnets
9	1.375-0081	10-32 Contact Receptacle
10	000-0211	O-Rings: 211
11	1.-0033	Contact Plunger
12	HOO-0065	Retainer Ring
13	1.-0041	Insulating Washer
14	1.-0037	Contact Spring
15	1.-0042	Contact Insulator
16	1.687-0366-1	Locking Collar
17	1.687-0366	Contact Sub Body



**APPLIED
ELECTRONIC
SYSTEMS**

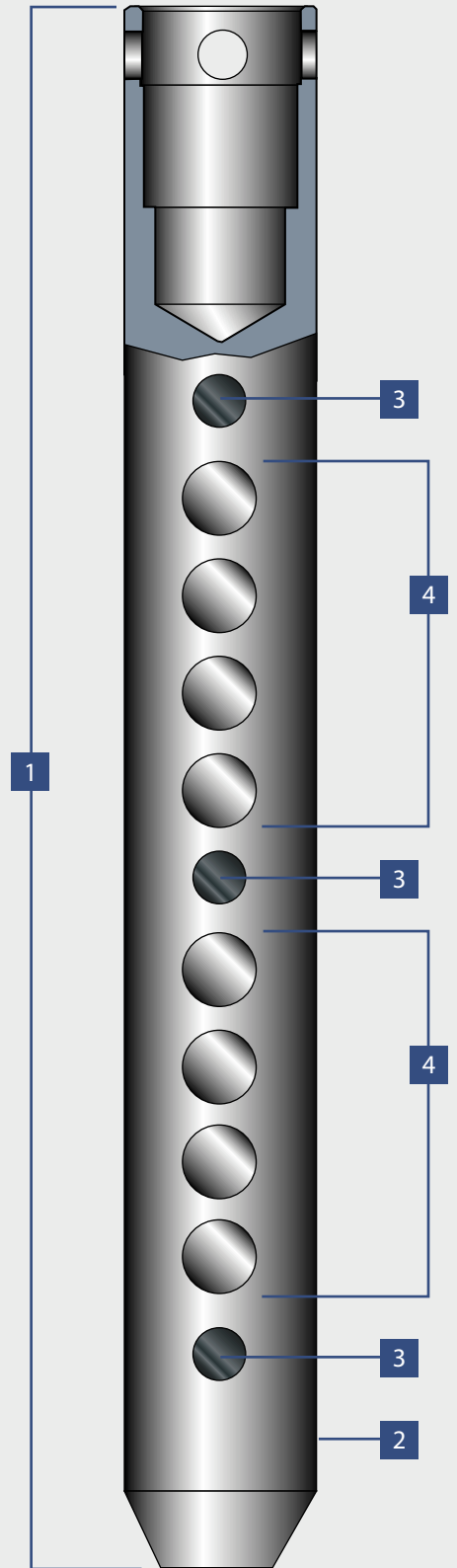
a **Sondex** company
www.aesla.com

DEC0-11

DECENTRALIZERS COMPONENTS

1 9/16" Bottom Decentralizer Button Type Magnet

Ref.	Part No.	Description
1	AS6-0074	1 9/16" Bottom Decentralizer
2	1.562-0019	Contact Sub Body
3	HOO-0317	Carbide Pads
4	HOO-0279	Decentralizer Magnets



**APPLIED
ELECTRONIC
SYSTEMS**

a **Sondex** company
www.aesla.com

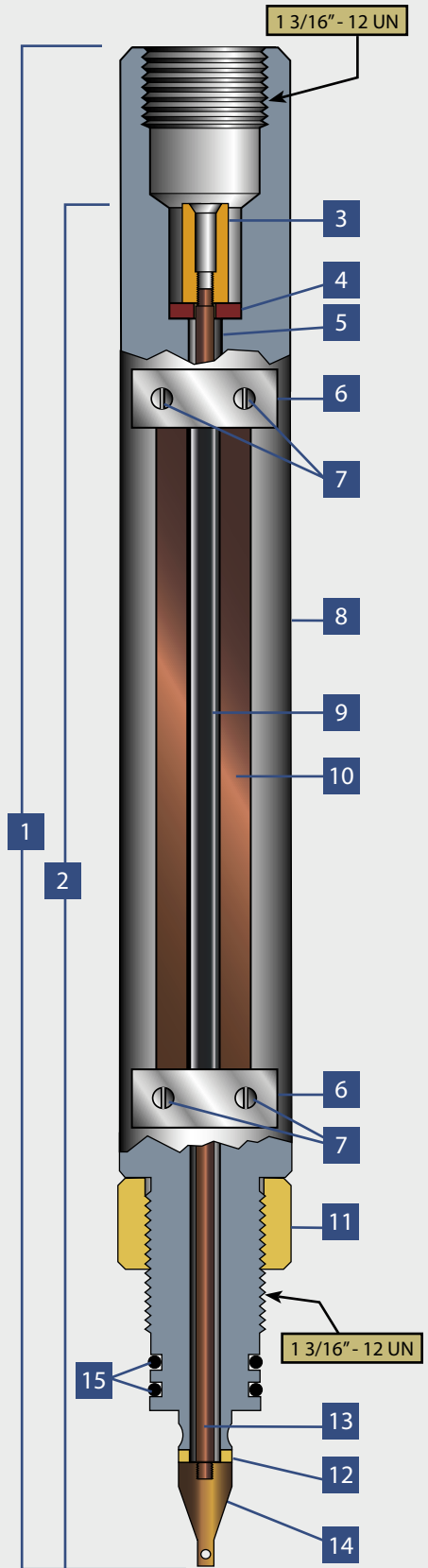
DEC0-12

DECENTRALIZERS COMPONENTS

1 11/16" GO Box to Double Sealed Tear Drop Decentralizer Channel Type Magnet

Ref.	Part No.	Description
1	AS6-0082	1 11/16" GO Box to Double Sealed Tear Drop Decent.
2	KIT-6-0082	Contact Kit Assy *
3	1.-0087A	Contact Receptacle
4	1.-0086	Beveled Insulating Washer
5	BOO-0032	Insulating Sleeve
6	1.687-0077	Magnet Clamp
7	HOO-0117	10-32 x 1/2" Button Head Socket Set Screw
8	1.687-0387	1 11/16" Decentralizer Body
9	1.3765-0471	Channel Magnet Clamp Rod
10	HOO-0259	Magnet
11	1.687-0124	Adjustment Ring
12	1.-0041	Insulating Wahser
13	3.250111	Contact Rod
14	1.375-0030	10-32 Cone Receptacle
15	000-0211	O-Rings: 211

*Does not include O-Rings.



**APPLIED
ELECTRONIC
SYSTEMS**

a **Sondex** company
www.aesla.com

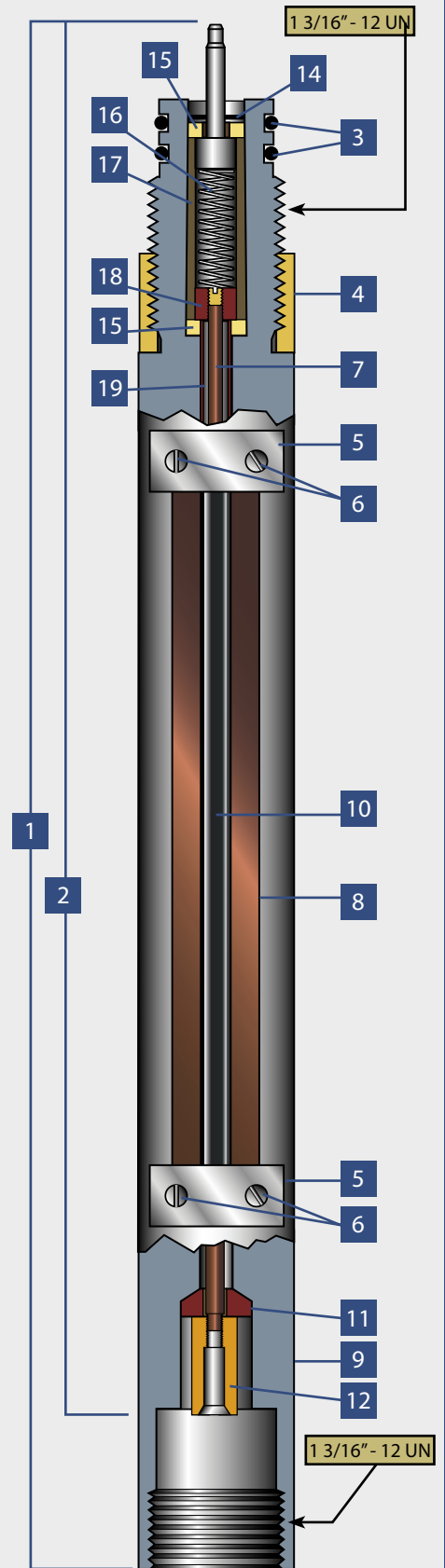
DEC0-13

DECENTRALIZERS COMPONENTS

2" Magnetic Decentralizer Channel Type Magnet

Ref.	Part No.	Description
1	AS9-0003	2" Magnetic Decentralizer Complete Assy
2	KIT-9-0003	Contact Kit Assy *
3	000-0211	O-Rings: 211
4	2.-0029	Adjustment Ring
5	2.-0012	Magnet Clamp
6	H00-0117	10-32 x 1/2" Button Head Socket Set Screw
7	1.375-0459	Contact Rod
8	H00-0259	Magnet
9	2.-0030	2" Decentralizer Body
10	1.375-0471	Channel Magnet Clamp Rod
11	1.0086	Beveled Insulator
12	1.0087A	Brass Receptacle
13	1.0033	Contact Plunger
14	H00-0065	Retainer Ring
15	1.0041	Insulating Washer
16	1.0037	Contact Spring
17	1.0042	Contact Insulator
18	1.375-0081	10-32 Contact Receptacle
19	B00-0032	Insulating Sleeve

*Does not include O-Rings.



**APPLIED
ELECTRONIC
SYSTEMS**

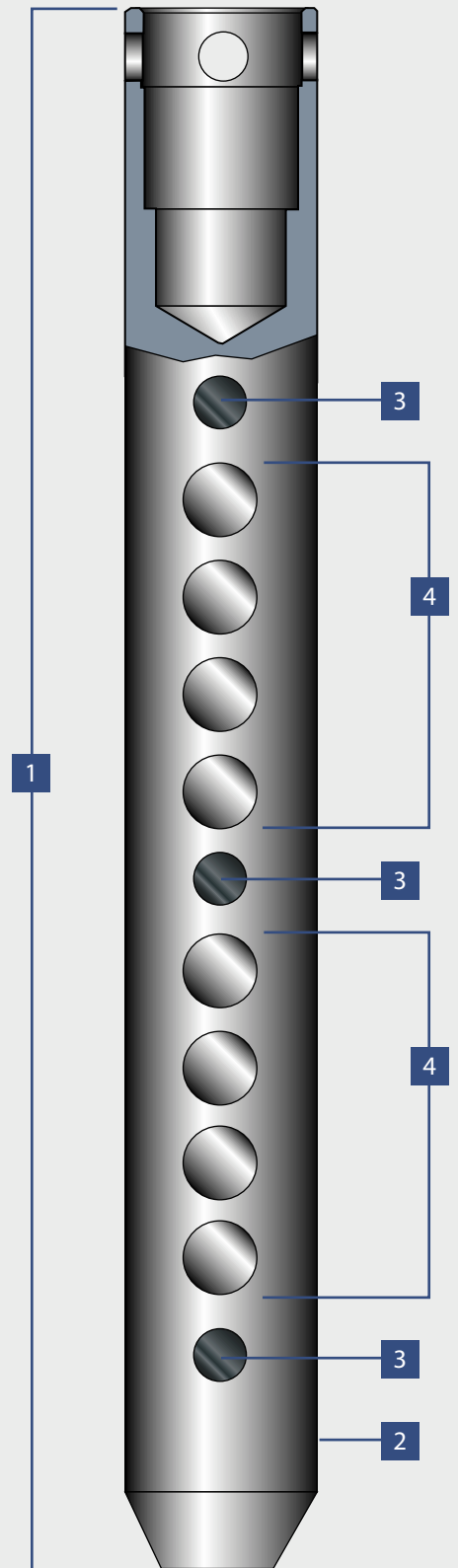
a **Sondex** company
www.aesla.com

DEC0-14

DECENTRALIZERS COMPONENTS

2" Bottom Decentralizer Button Type Magnet

Ref.	Part No.	Description
1	AS9-0047	2" Bottom Decentralizer
2	2.0108	Contact Sub Body
3	HOO-0317	Carbide Pads
4	HOO-0279	Decentralizer Magnets



**APPLIED
ELECTRONIC
SYSTEMS**

a **Sondex** company
www.aesla.com

DEC0-16