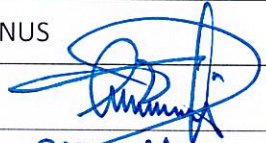


SLICKLINE ASSISTANT WORKBOOK

IMPORTANT NOTE:

1. Your point of reference to complete this workbook may be obtained from the following
 - Training Manual and any other training materials provided together with this workbook
 - Your Trainer, Assessor (Slickline Operator), Verifier (FSM) or senior colleagues
 - SOP / Quality Procedures & Processors
2. The completion of this Workbook is a joint effort and responsibility between you and your assessor therefore you have the obligation to request from your assessor to be assessed upon your completion of each topic
3. The completion of this Workbook is part of the MANDATORY requirements which you must fulfill to qualify for a promotion
4. Your training program is mostly self-driven, including this Workbook. It requires individual initiatives, dedication and commitment to **complete** the process.

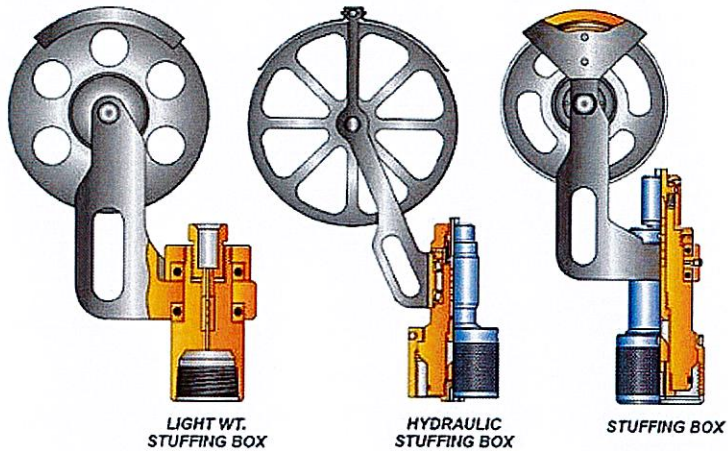
NAME	MOHAMAD AIKHAL AIMAN BIN MAT YUNUS
DATE OF JOIN	11.11.2024
CONTACT NO.	011 2523 4561
RECEIVED DATE	11.1.2025
DATE COMPLETED	3.3.2025


GAZALI MEHRY
 Operation Manager
 Dimension Bid (M) Sdn Bhd
 Labuan Warehouse
 Slickline Services

6/3/25

B. SURFACE EQUIPMENT

B.1. STUFFING BOX



What is Stuffing Box

Stuffing box is a primary barrier that positioned at the uppermost point of the PCEstring.


What is the purpose of stuffing Box

To allows the wireline to enter the well under pressure and provide a seal shouldbewireline break and be blow out of packing.

How to operate Stuffing Box

The stuffing box can be operated manually or hydraulically, with the piston being driven downward against the force of the spring when hydraulic pressure is provided to the region above it.

GAZALI MEHRY
Operation Manager
Dimension Bid (M) Sdn Bhd
Labuan Warehouse
Slickline Services



8/3/25



What is maintenance required for Stuffing Box


Packings - not worn out
Sheave - use the correct size for the line
Upper and lower packing gland - check for wear
BOP plunger - check for wear and freedom of vertical movement
Sheave bearings - check for free spinning ✓
Sheave staff - check for freedom of swivel movement
Sheave guard - tight and adjust close to the sheave to ensure it will trap the line

What is safety precaution required for Stuffing Box

Check for the packing wether worn out or in good condition and make sure usingthecorrect size of sheave ✓

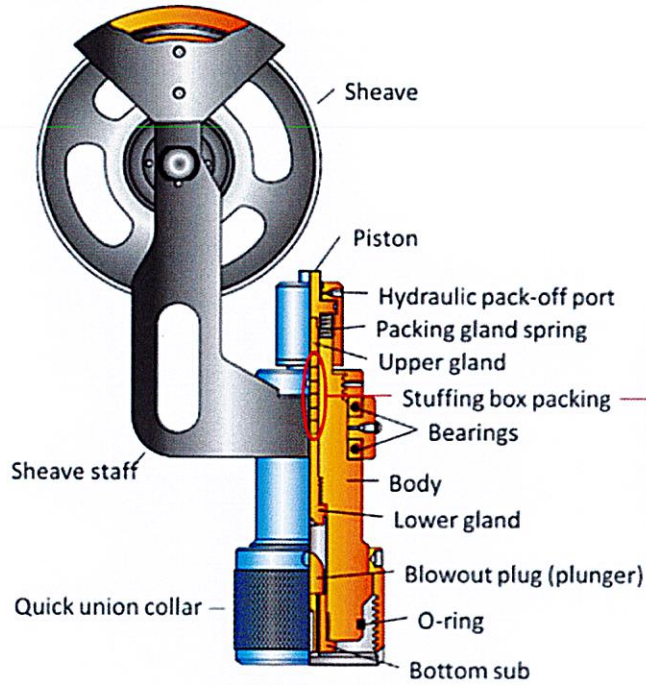
What is potential hazard during handling Stuffing Box

Drop object
Pinch point
Back injury ✓


GAZALI MEHRY
Operation Manager
Dimension Bid (M) Sdn Bhd
Labuan Warehouse
Slickline Services
8/3/25



Draw & name each part of stuffing box




GAZALI MERNI
Operation Manager
Dimension Bid (M) Sdn Bhd
Labuan Branch Office
Slickline Services

8/3/25



B.2. LUBRICATOR

What is Lubricator

Lubricator are a series of interconnected length of pipe and also known as risers.

What is the purpose of Lubricator

To provide a space for the tool to be contained in under pressure, when opening and closing the wellhead

How to operate Lubricator

Connect lubricator section using chain block, wireline mast, crane or gin pole.

What is maintenance required for Lubricator

Check for:
-general damage and corrosion
-condition of the needle valves on the lower sections
-visual inspection of the internal bore for corrosion and 'wire tracking' wear grooves

What is safety precaution required for Lubricator

Lubricator should be x-rayed One of the lubricator must have a port to bleed of pressure

[Signature]
GAZALI MCHRY
Operation Manager
Dimension Bid (M) Sdn Bhd
Labuan Warehouse
Sickline Services

6/3/25



What is potential hazard during handling Lubricator

Drop object
Pinch point
Back injury

Draw & name each part of Lubricator

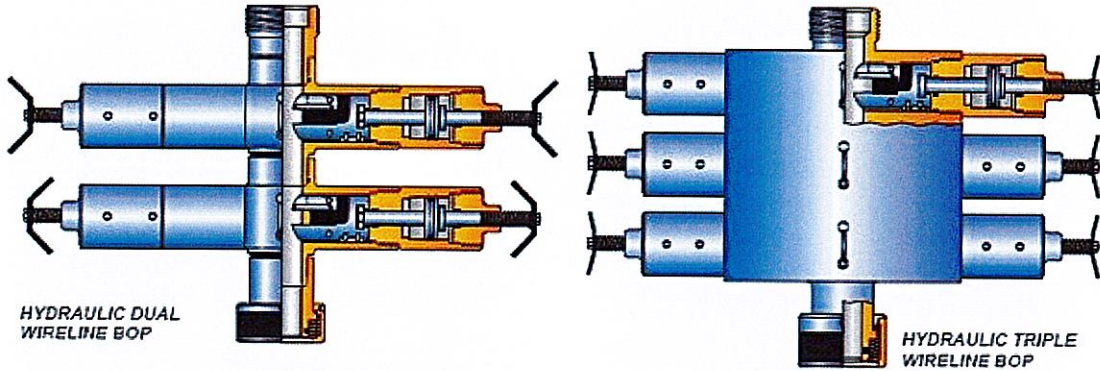
The drawing shows two views of a lubricator: a 'Top Section' and a 'Bottom Section'. The top section shows a grey box connection at the top of an orange shaft. The bottom section shows a grey base with a connection port and a pin collar. Three blue boxes on the right label these parts: 'Box Connection', 'Connection Port', and 'Pin Collar'.

GAZALI MEHRY
Operation Manager
Dimension Bid (M) Sdn Bhd
Labuan Warehouse
Slickline Services

8/3/25



B.3. BLOWOUT PREVENTER (BOP)



What is BOP

A BOP (also known as Wireline Valve) is installed between the tree connection and lower lubricator section.

What is the purpose of BOP

The purpose of BOP is:

- A. Enable the well pressure to be isolated without cutting the wire by closing the master valve
- B. Permit the assembly of the wireline cutter above the BOP rams and dropping it if the toolstring becomes stuck in the well
- C. Allow slickline work to be conducted while containing the well pressure on surface with wire in the wellbore

How to operate BOP

Hydraulically actuated using RSU or Control Panel.

GAZALI MEHRY
Operation Manager
Dimension Bid (M) Sdn Bhd
Labuan Warehouse
Slickline Services

6/8/25



What is maintenance required for BOP

After each job:

- Check all inner/outer ram seals, O-rings, and seals. Replace them if there are any tears, cuts, or signs of loss of bond between the metal plates and rubber.

Annually:

- Replace all seals in equalizing valve assembly.
- Inspect hydraulic cylinder assembly and replace all seals.



What is safety precaution required for BOP

All personnel should receive proper training, wear the necessary PPE, and make sure the equipment is regularly inspected and pressure tested to avoid accidents.



What is potential hazard during handling BOP

- High Pressure
- Falling Objects
- Personnel Injury

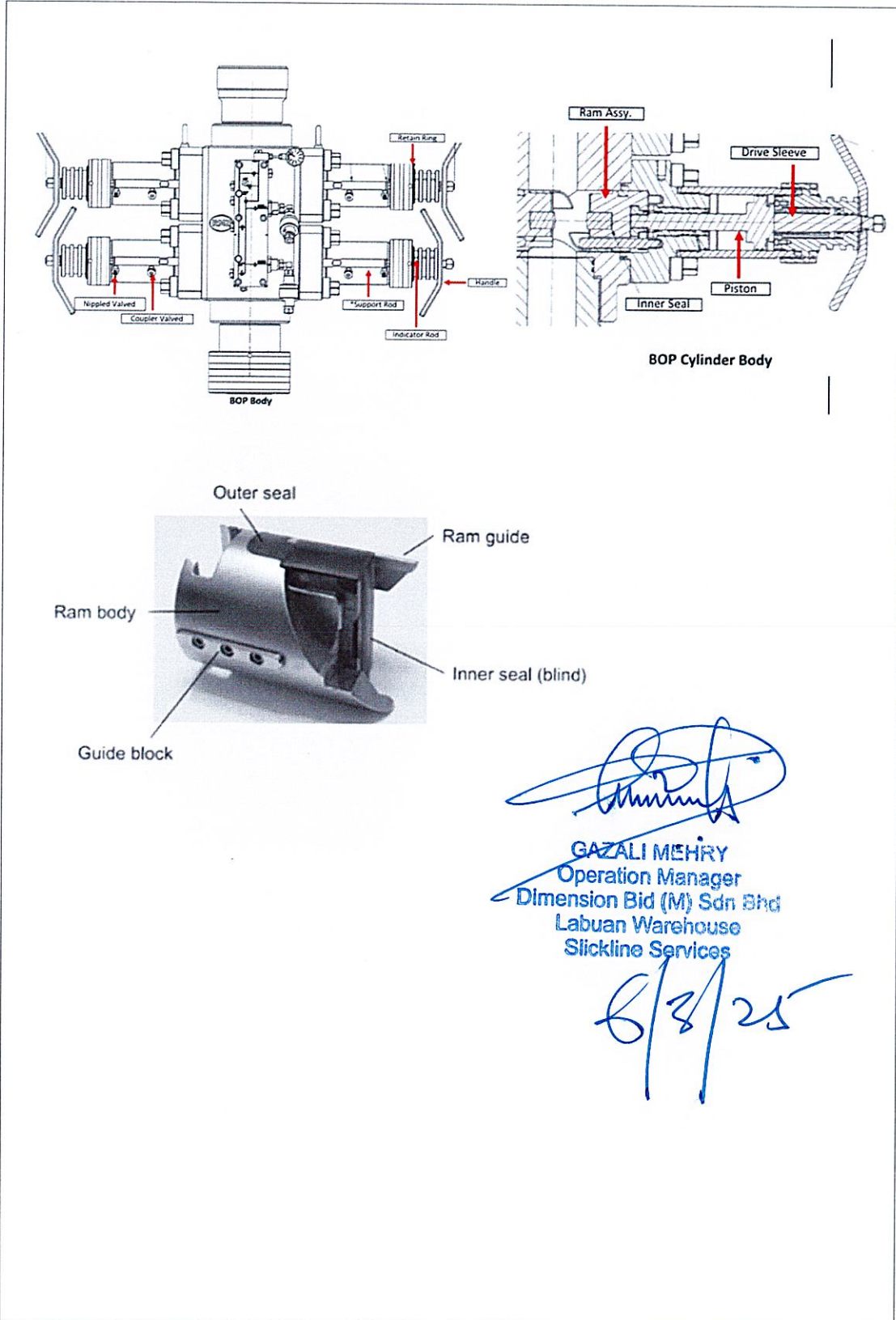


GAZALI MEHRY
Operation Manager
Dimension Bid (M) Sdn Bhd
Labuan Warehouse
Slickline Services

6/3/25



Draw & name each part of BOP




GAZALI MEHRY
Operation Manager
Dimension Bid (M) Sdn Bhd
Labuan Warehouse
Slickline Services

8/3/25



B.4. X-MAS TREE

What is x-mas tree

Xmas tree is series of valve installed on the wellhead to control the flow of fluids from the well. Located on top of wellhead ✓

What is the purpose of x-mas tree

The purpose of X-mas is used to regulate the flow of gas and oil from a well, monitor pressure, prevent blowouts, control pressure, and enable well maintenance and intervention. ✓

How to operate x-mas tree

To operate an X-mas Tree, ensure all components, including valves and spools, are securely installed, calibrate the pressure gauges, and then open the master valve (MV) to initiate the flow of production, while closely monitoring pressure and flow rates. ✓

What is maintenance required for x-mas tree

Examining all parts of an X-mas tree for wear, corrosion, or damage, as well as looking for leaks in seals and connections, is part of routine maintenance. ✓

What is safety precaution required for x-mas tree

As you open and close the swab valve, count the number of revolutions. When operating and shutting the valves, try not to overtighten them. Unless there is an emergency, never close a flowing well using the master valve. For this, always use the wing valve or swab. ✓

GAZALI MEHRY
Operation Manager
Dimension Bid (M) Sdn Bhd
Labuan Warehouse
Slickline Services

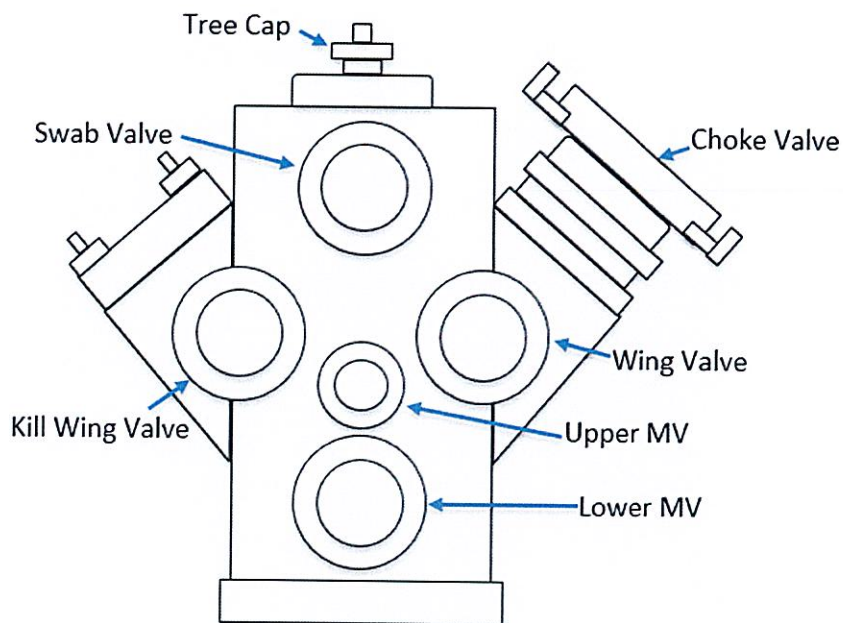
8/3/25



What is potential hazard during handling x-mas tree

- Pinch Point
- High Pressure
- Suspended Load
- Line of Fire

Draw & name each part of x-mas tree



GAZALI MEHRY
Operation Manager
Dimension Bid (M) Sdn Bhd
Labuan Warehouse
Slickline Services

6/3/25



B.5. WIRELINE REEL SKID UNIT (RSU) / WINCH – SINGLE DRUM AND DOUBLE DRUM

What is RSU

RSU is also known as Wireline unit or winch, is a piece of equipment used for running and retrieving tools or equipment in and out of well. ✓

What is the purpose of RSU

During wireline servicing operations, the tool string in the well is raised and lowered by turning the wire drum with the RSU. This makes it possible to precisely place tools or other equipment inside the well. ✓

How to operate RSU

After positioning and securing the RSU at the well site, connect the power pack and hydraulic system, making sure that none of the hoses are leaking. Examine safety features, such as lockout protocols and emergency shutdowns. Check the system frequently for problems and be prepared to shut it down if required. ✓

What is maintenance required for RSU

- Inspect hydraulic hoses, connections, and seals for leaks or wear.
- Check the winch and wire drum for damage.
- Ensure safety systems and emergency shutdowns are functional.
- Lubricate moving parts and components regularly. ✓

What is safety precaution required for RSU

- Wear appropriate PPE (helmets, gloves, safety glasses, steel-toe boots).
- Familiarize workers with emergency shutdown procedures.
- Conduct regular inspections of hydraulic systems and winch.
- Ensure clear communication during tool string operations. ✓


GAZALI MEHRY
Operation Manager
Dimension Bid (M) Sdn Bhd
Labuan Warehouse
Slickline Services

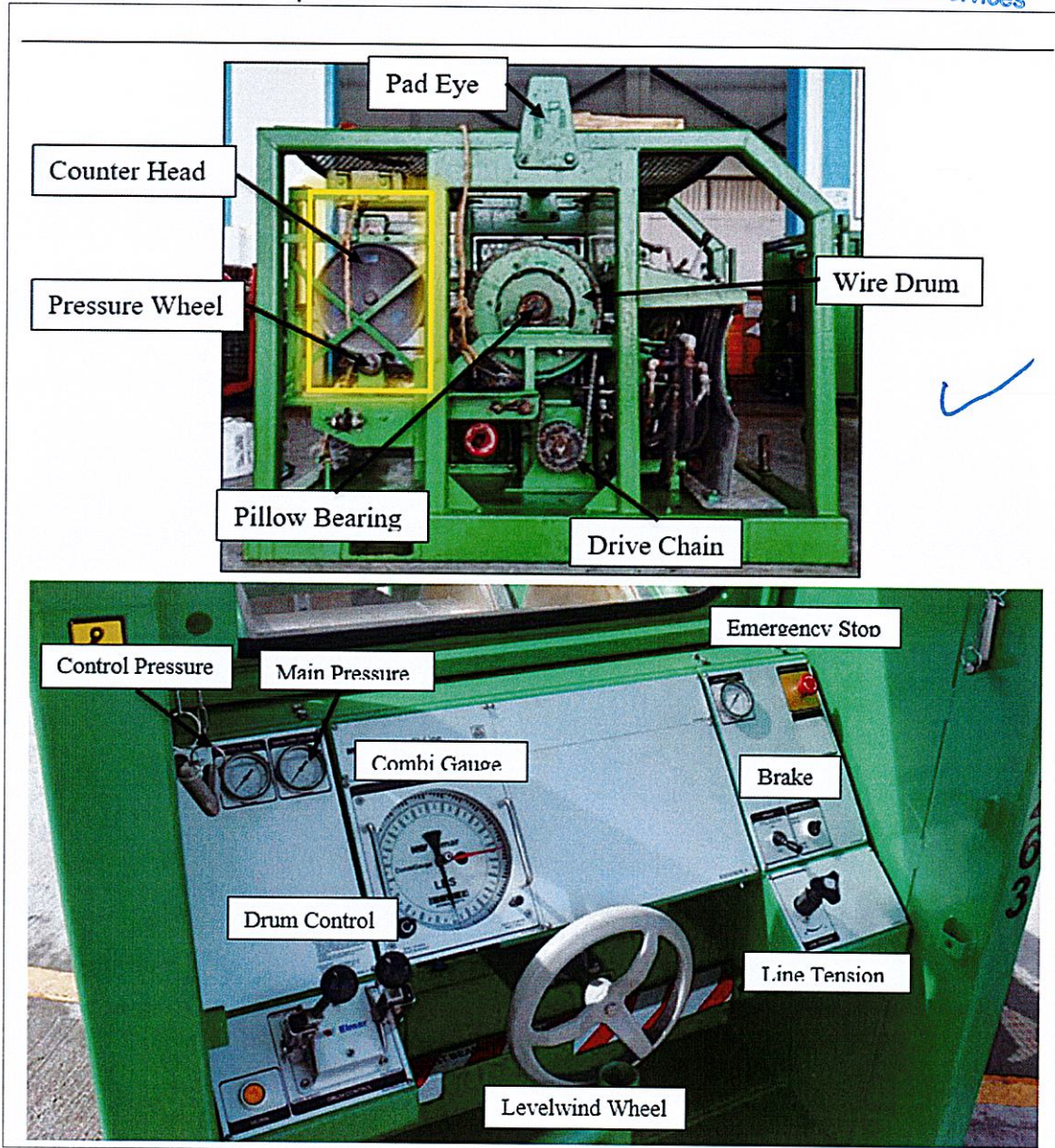


What is potential hazard during handling RSU

- Moving Parts
- Heavy Equipment
- Personnel Injury
- Pinch Point

GAZALI MEHRY
Operation Manager
Dimension Bid (M) Sdn Bhd
Labuan Warehouse
Slickline Services

Draw & name each part of RSU





B.6. ODOMETER

What is Odometer

An odometer also known as Depth Counter or Depth Measuring device
What is a device used to measure the depth traveled and track the amount of cable or wireline that has been deployed or retrieved



What is the purpose of Odometer

It allows for precise tracking of the cable or wireline length during deployment, helping operators control the tools and avoid excessive pulling or running of the equipment.



How to operate Odometer

To operate the odometer, reset it to zero before starting the task, start reading from tubing hanger, monitor it during the operation to track distance or wireline length, and record the readings at key points for accurate tracking.



What is maintenance required for Odometer

Maintenance for an odometer includes regular calibration to ensure accuracy, cleaning to remove dirt or moisture, inspecting for physical damage, and check if counter head is free to rotate.



GAZALI MEHRY
Operation Manager
Dimension Bid (M) Sdn Bhd
Labuan Warehouse
Slickline Services



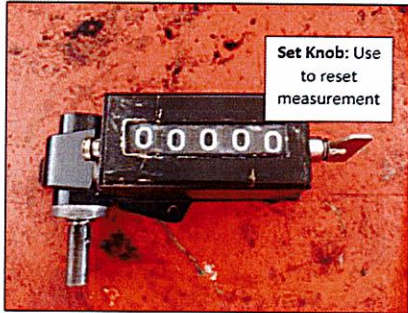
What is safety precaution required for Odometer

- Avoid physical impacts to prevent internal damage.
- Handle the device carefully to avoid injury from moving parts.
- Regularly check calibration for accurate readings. ✓
- Keep the odometer clean and free from dirt, moisture, or chemicals

What is potential hazard during handling Odometer

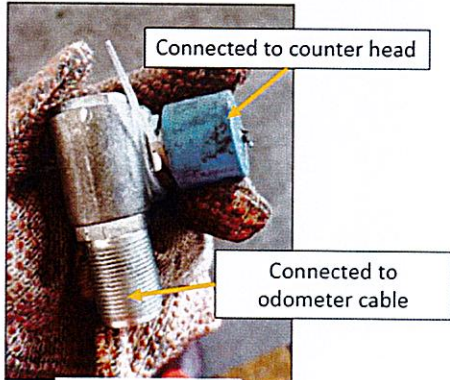
- Sharp Edges ✓
- Pinch Point ✓

Draw & name each part of Odometer



Set Knob: Use to reset measurement

Odometer ✓



Connected to counter head

Connected to odometer cable

Right Angle Drive ✓

[Signature]
GAZALI MEHRY
Operation Manager
Dimension Bid (M) Sdn Bhd
Labuan Warehouse
Slickline Services

8/31/25



B.7. WEIGHT INDICATOR (200 LBS AND 4000 LBS)

What is Weight Indicator

One tool for determining the weight of the tools in the tubing string is a weight indicator. It can precisely display the weight of the tools because it is connected to a load cell through a rubber hose that is filled with hydraulic fluid. ✓

What is the purpose of Weight Indicator

To determine and display the weight of tools in the tubing string during operations. It allows operators to monitor the tension and weight of the equipment, ensuring proper deployment, retrieval, and positioning of tools in the wellbore. ✓

How to operate Weight Indicator

To operate the weight indicator, connect it to the load cell with the hydraulic oil-filled hose, calibrate the gauge, and monitor the weight and tension of the tools during operations. ✓

What is maintenance required for Weight Indicator

It is essential to fully flush and recharge the unit at least once a month. After recharging, set a specific gap between the load plate and the load cell retaining ring. Check for leaks around the hose and priming check valve assembly. If additional "W-15" fluid is needed, fill it through the small port located on the upper side of the gauge housing. ✓

What is safety precaution required for Weight Indicator

Proper handling and do not crush the hose. Secure the gauge and fittings properly, as the load cell is made of aluminum alloy, and rough handling can damage it. ✓


GAZALI MEHRY
Operation Manager
Dimension Bid (M) Sdn Bhd
Labuan Warehouse
Slickline Services

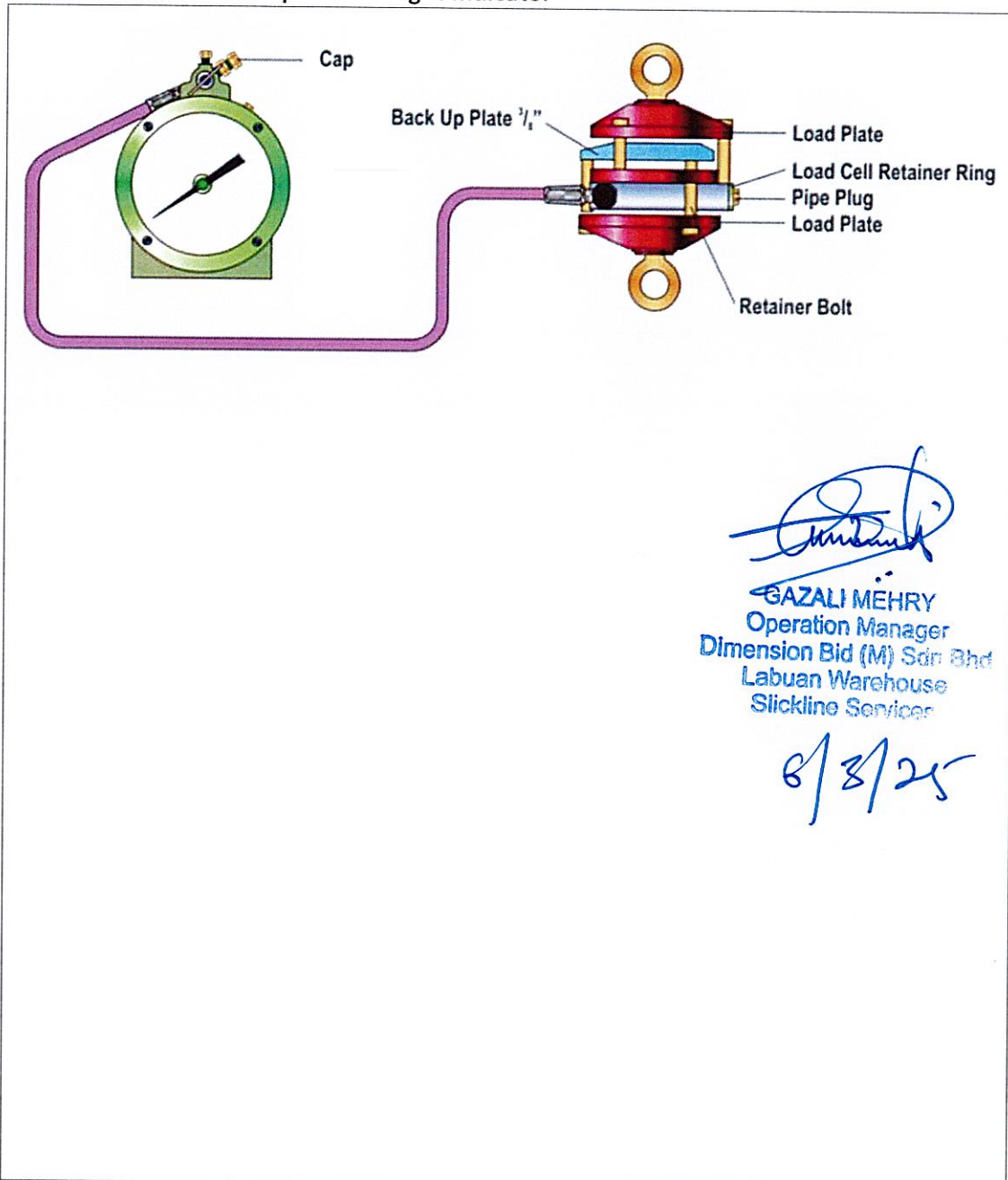




What is potential hazard during handling Weight Indicator

- Personnel Injury from sharp components. ✓
- Drop Object may damage the load cell. ✓
- Slips and Trips when hose is not secured ✓

Draw & name each part of Weight Indicator





B.8. SPOOLING DEVICE

What is Spooling Device

It is configured with a removable drum that allows transport spools to be inserted, enabling the new string to be spool onto the reel.

What is the purpose of Spooling Device

The purpose of a spooling device is to hold the reel drum during the spooling process and control the tension of the line as it is spooled onto the drum

How to operate Spooling Device

Assemble the reel by following the same setup as normal operations, which requires a weight indicator and hay pulley. The brake lever will be used to control the line tension during the spooling process.

What is maintenance required for Spooling Device

- Hydraulic system check
- Brake system Inspection
- Lubricate moving parts
- Check for wear
- Clean equipment

What is safety precaution required for Spooling Device

- Ensure bolts and nuts (Shaft) are in good condition.
- Test the Brake System


GAZALI MEHRY
Operation Manager
Dimension Bid (M) Sdn Bhd
Labuan Warehouse
Slickline Services



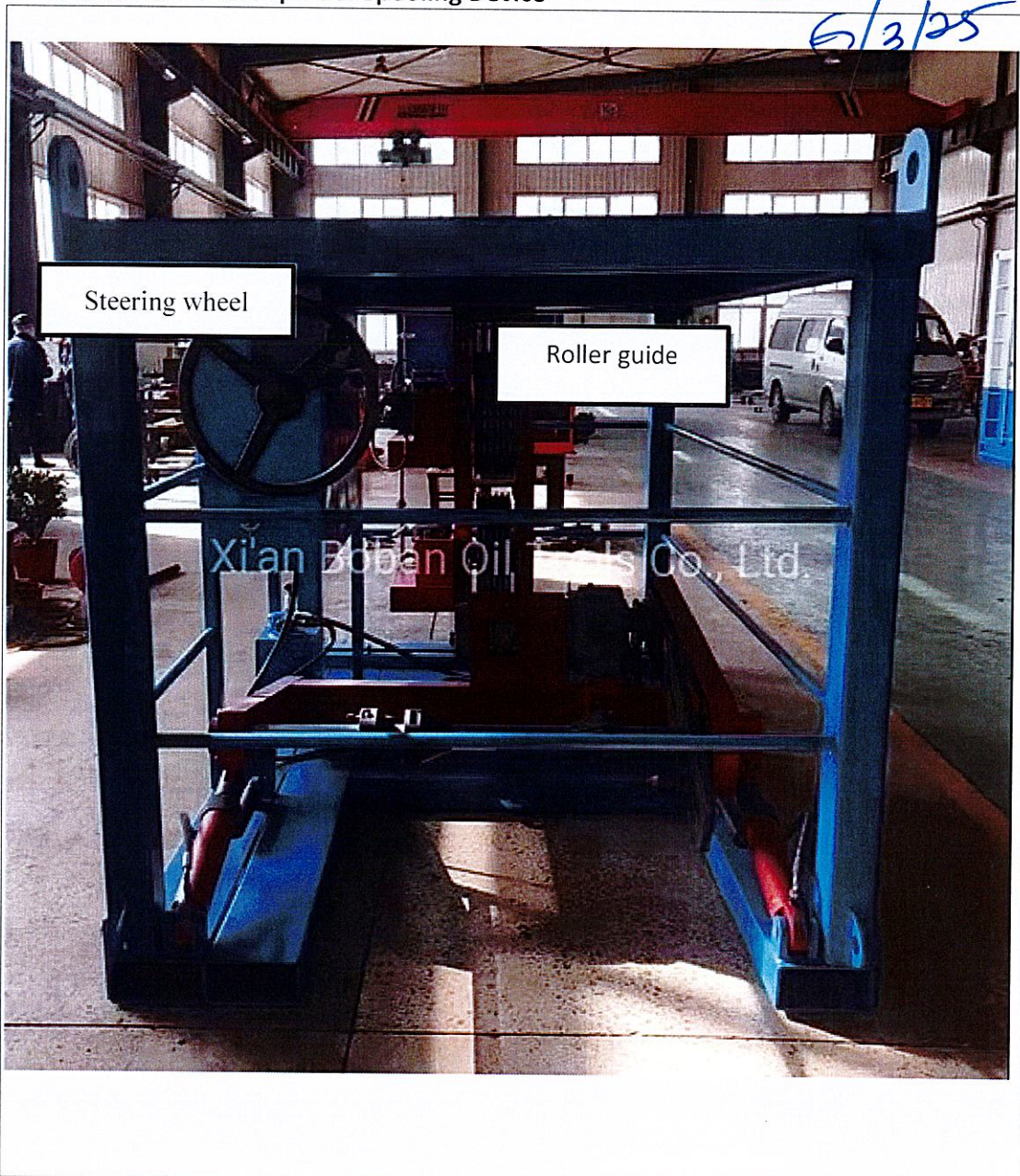
What is potential hazard during handling Spooling Device

- Pinch Point ✓
- Rotating Device

GAZALI MEHRY
Operation Manager
Dimension Bid (M) Sdn Bhd
Labuan Warehouse
Slickline Services

Draw & name each part of Spooling Device

6/3/25





B.9. CONTROL PANEL

What is Control Panel

Control panels are used to operate multiple valves typically involved in slickline operations.

What is the purpose of Control Panel

The purpose of the control panel is to operate BOP (Blowout Preventer) rams and convert low-pressure air or gas input into high-pressure oil output, ensuring proper control of well pressure and preventing blowouts during operations.

How to operate Control Panel

Function tested. Connect the control line to the equipment, open the air supply, and use the regulator to control the pump, pressurizing the line.

What is maintenance required for Control Panel

Check the hydraulic oil's fluid level and inspect the hydraulic hoses for leaks or damage. Each month, disassemble and thoroughly clean the air filter. Annually, renew the hydraulic tank and return filters, disassemble the hydraulic pump, and check for signs of corrosion or wear.

What is safety precaution required for Control Panel

Do not tighten or loosen connections when under pressure. Always be cautious of trapped pressure and fully bleed it off before opening any connections

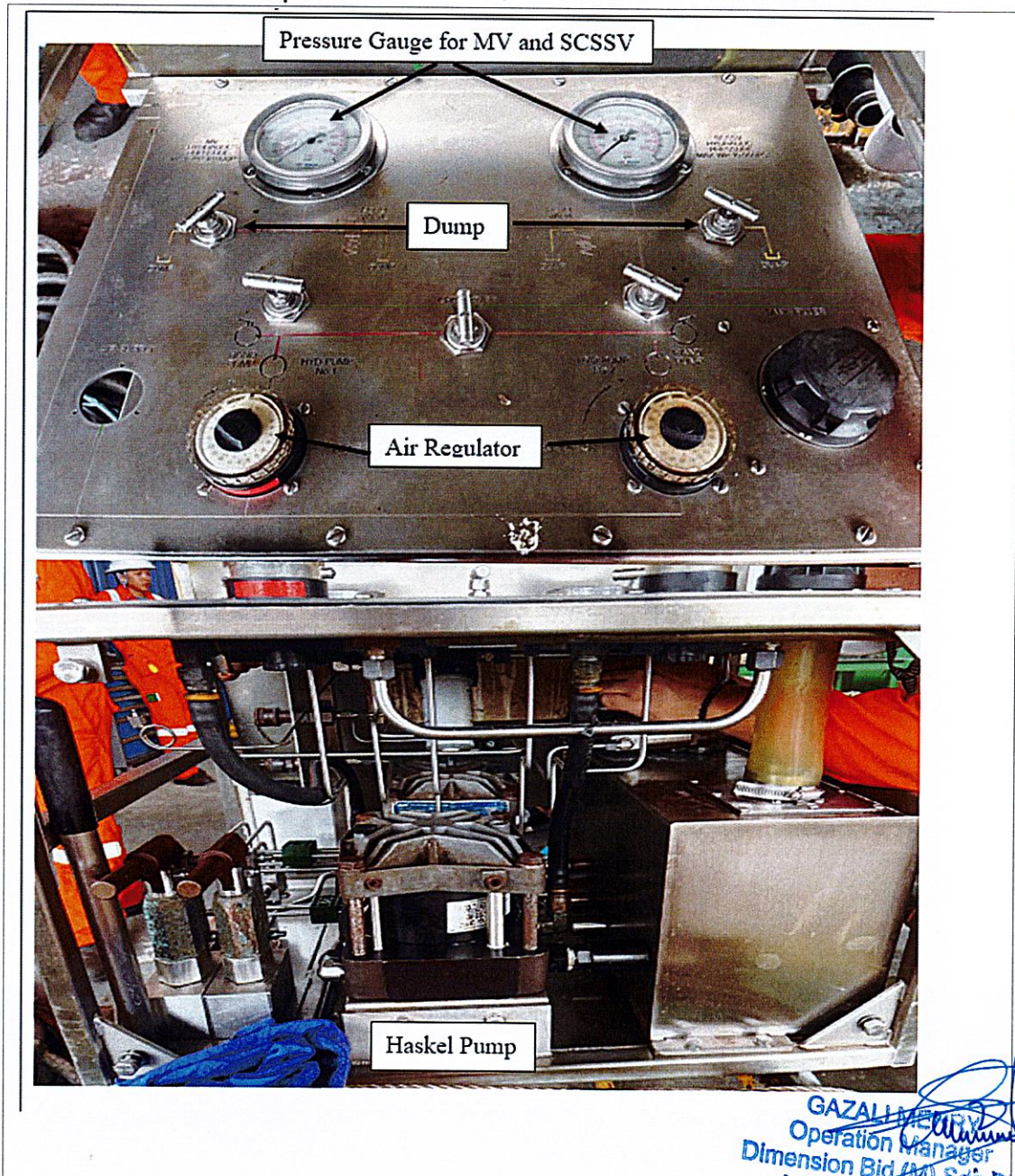

GAZALI MERY
Operation Manager
Dimension Bid (M) Sdn Bhd
Labuan Warehouse
Slickline Services



What is potential hazard during handling Control Panel

- Falls, Slips and Trips from hose and fluid leaks.
- Hose burst due to working with high pressure
- Personnel injury due to lose connections

Draw & name each part of Control Panel



GAZALI MERY
Operation Manager
Dimension Bid (M) Sdn Bhd
Labuan Warehouse
Slickline Services



B.10. HUSKEL DRUM

What is Huskel Drum

Is an Air Driver Pump. ✓

What is the purpose of Huskel Drum

A Huskel Drum is used to drive hydraulic or water pressure through the control panel or test pump during operations. ✓

How to operate Huskel Drum

The Huskel Drum can be operated using the knob or regulator on the control panel to adjust and manage the hydraulic or water pressure ✓

What is maintenance required for Huskel Drum

Check the condition of the O-ring, service the Haskel pump, and inspect the hydraulic check valve. Perform any necessary repairs to the liquid seal to ensure proper functioning and prevent leaks. ✓


GAZALI MEHRY
Operation Manager
Dimension Bid (M) Sdn Bhd
Labuan Warehouse
Sickline Services





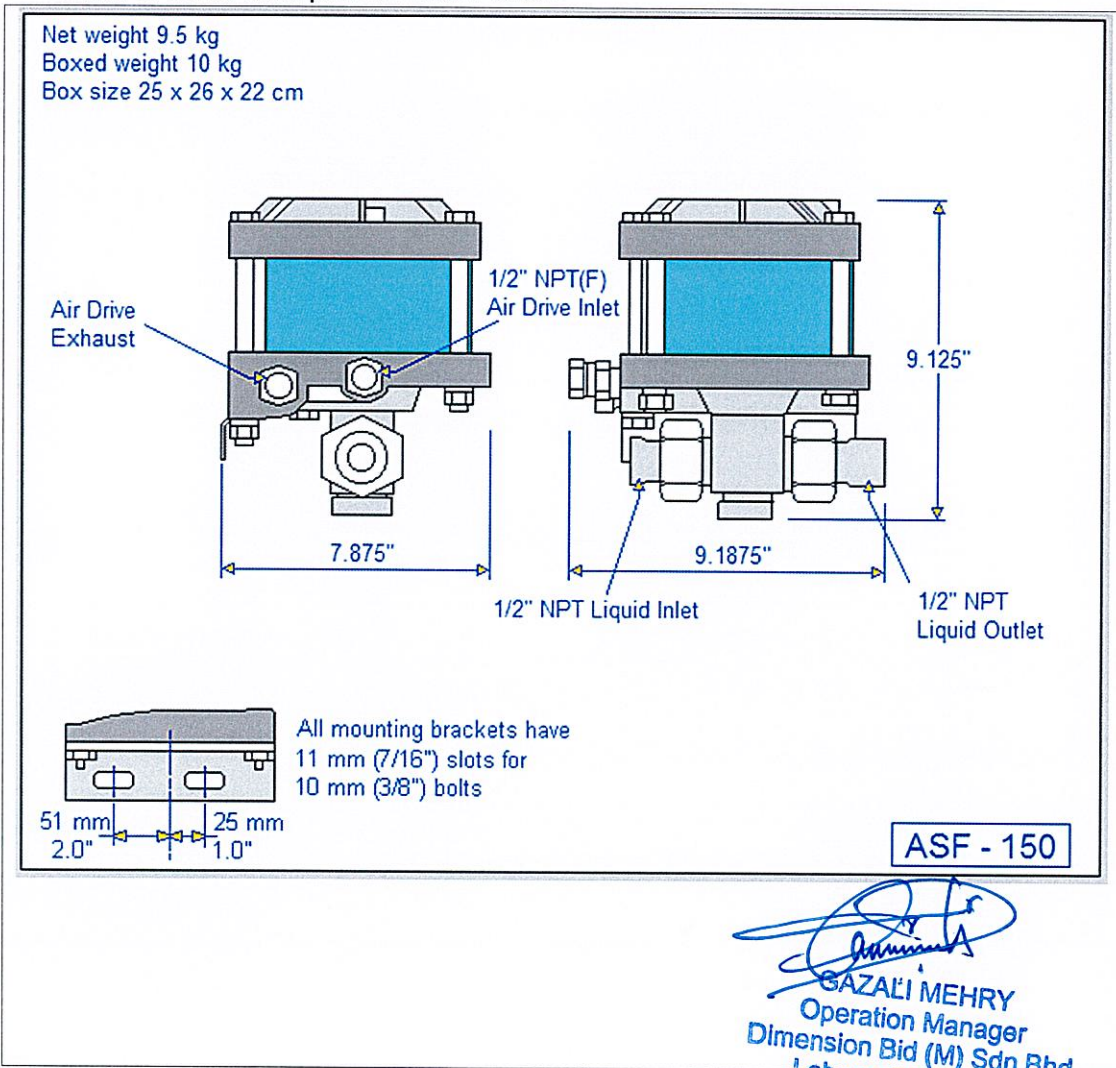
What is safety precaution required for Huskel Drum

Check the condition of the O-ring, ensure that the connection tubing is in good condition and free of wear or damage.

What is potential hazard during handling Huskel Drum

- Pinch Point
- Personnel Injury from tubing burst

Draw & name each part of Huskel Drum





B.11. POWER PACK (ELECTRICAL & DIESEL)

What is Power Pack

Power Pack is a single piece configuration, skid mounted with integral crash frame, constructed in carbon steel with single lifting

✓

What is the purpose of Power Pack

The purpose of Power Pack is to supply driving hydraulic power to equipment (mast and RSU)

✓

How to operate Power Pack

To operate the power pack, securely connect hydraulic hoses, check fluid levels, start the system, operate several valves, adjust speed, power and rotation of drum.

✓

What is maintenance required for Power Pack

- Inspect fluid levels
- Check hoses, fittings and connections for signs of leak and wear
- Clean dirt and debris buildup

✓

What is safety precaution required for Power Pack

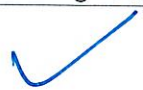
When changing hydraulic or engine oil, wear the appropriate PPE. To avoid burns or injury from hot coolant, be cautious of the rotating fan while the engine is running, and never open the radiator cap while the power pack is still operating.

GAZALI MEHRY
Operation Manager
Dimension Bid (M) Sdn Bhd
Labuan Warehouse
Slickline Services

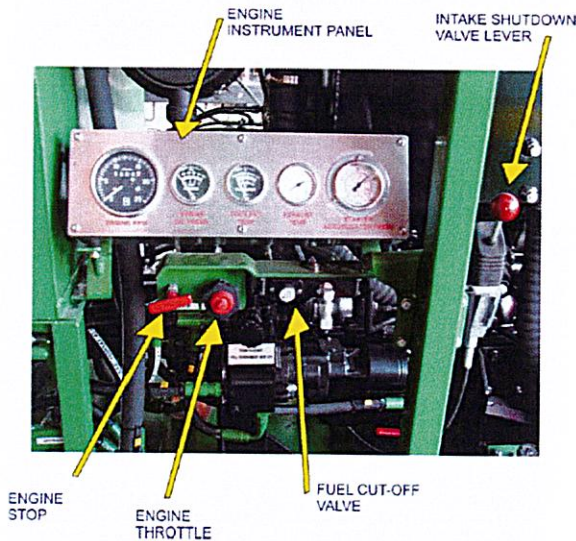
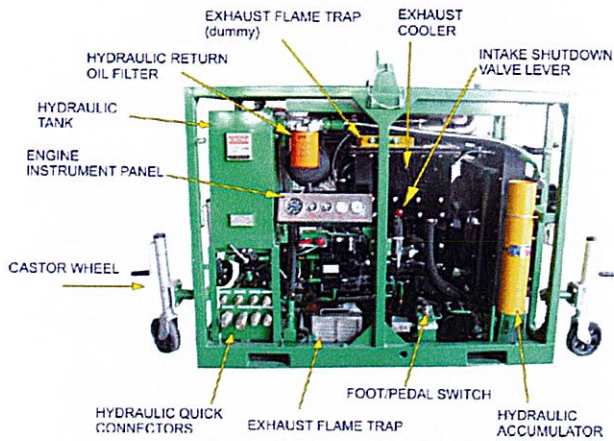


What is potential hazard during handling Power Pack

- Rotating Parts
- Working with Pressure
- Personnel Injury



Draw & name each part of Power Pack



GAZALI MEHRY
 Operation Manager
 Dimension Bid (M) Sdn Bhd
 Labuan Warehouse
 Slickline Services



B.12. AIR COMPRESSOR

What is Air Compressor

Air compressor is an open loop hydraulic system unit which is used to supply compressed air to Control Panels when there is no supply on site. ✓

What is the purpose of Air Compressor

To supply compressed air for control panel, test pump and air stater engine ✓

How to operate Air Compressor

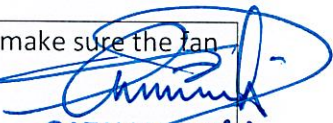
Turn on the compressor with the start switch and let it build up pressure. To start the starter, turn the shaft clockwise until the indicator turns red. Once completed, replace the spring to fully engage and start the engine. ✓

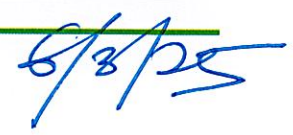
What is maintenance required for Air Compressor

- Oil Change
 - Air Filter Change
 - Inspect Belt Condition
- ✓

What is safety precaution required for Air Compressor

Ensure that all hose connections are secure and free of leaks. Also, make sure the fan is properly covered to avoid accidental contact with moving parts. ✓

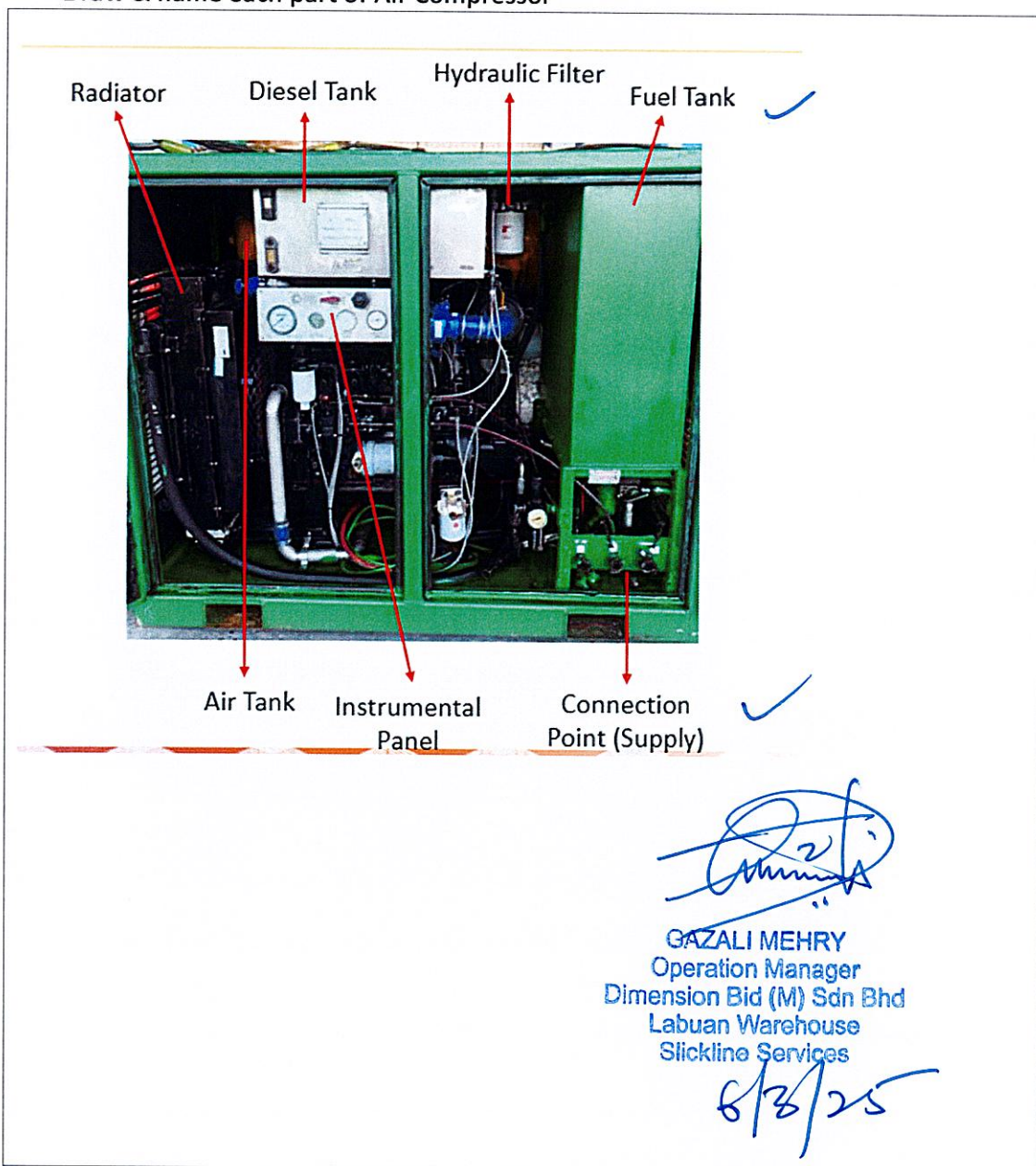

GAZALI MEHRY
Operation Manager
Dimension Bid (M) Sdn Bhd
Labuan Warehouse
Slickline Services



What is potential hazard during handling Air Compressor

- High Pressure Air ✓
- Moving Parts ✓
- Noise ✓
- Slips and Fall ✓
- Pinch Point ✓

Draw & name each part of Air Compressor

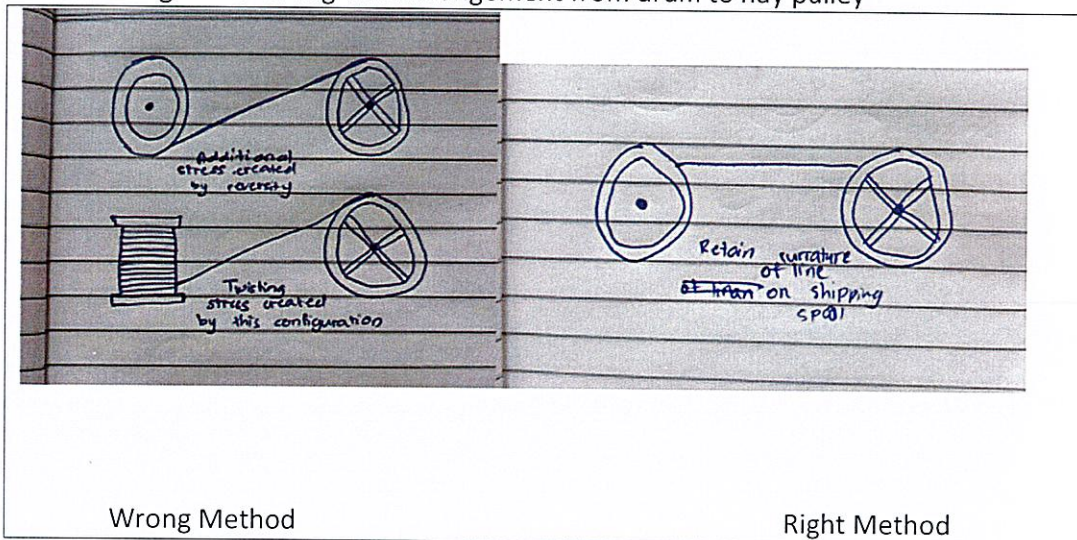


B.13. DRUM

What is the purpose of Drum

To spool the wireline wire. ✓

Draw the right and wrong wire arrangement from drum to hay pulley



What is maintenance required for Drum

Make sure to service and always check the drum bearing, change if there have any broken or damage

✓

What is safety precaution required for Drum

Use tag line or push pull stick Make sure using the safety glasses and appropriate PPE

✓

[Signature]
GAZALI MEHRY
Operation Manager
Dimension Bid (M) Sdn Bhd
Labuan Warehouse
Slickline Services

6/8/35



What is potential hazard during handling Drum

- Rotating device
- Pinch point ✓
- Back injury

Please draw/sketch the toolstring configuration for:

- 1) Drift run/tubing clearance check
- 2) Sinker bar run
- 3) Set and retrieve plug ✓
- 4) Set and retrieve insert valve

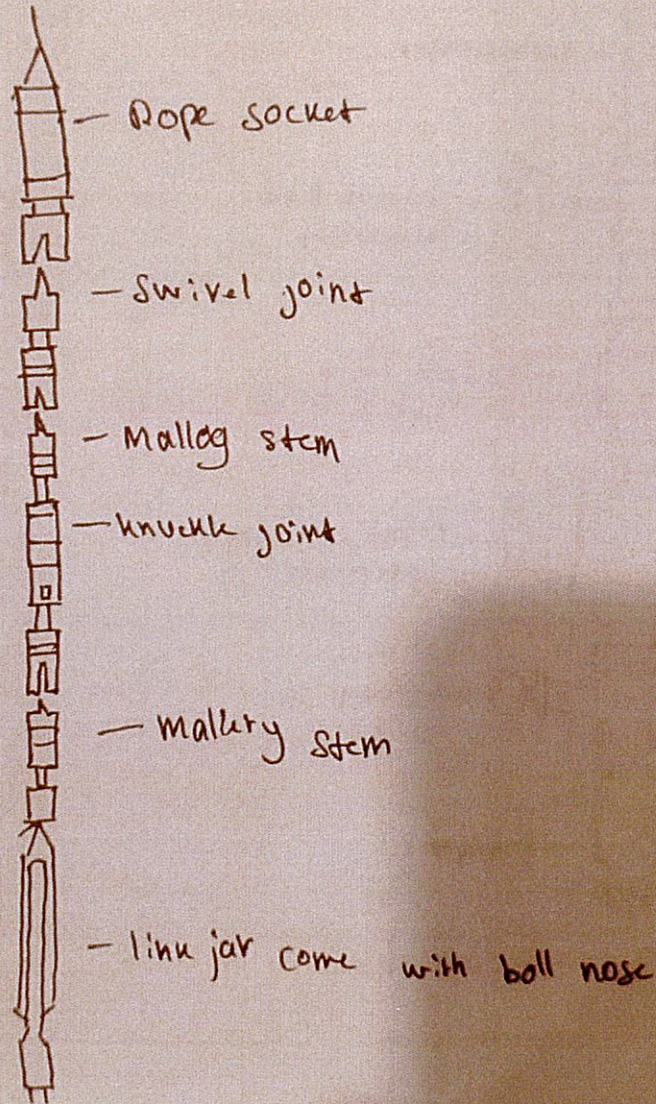
1. Drift run / tubing clearance check (TCC)

rope socket
swivel joint
stem
link jar
tubing drift

[Signature]
GAZALI MEHRY
Operation Manager
Dimension Bid (M) Sdn Bhd
Labuan Warehouse
Slickline Services
6/3/25

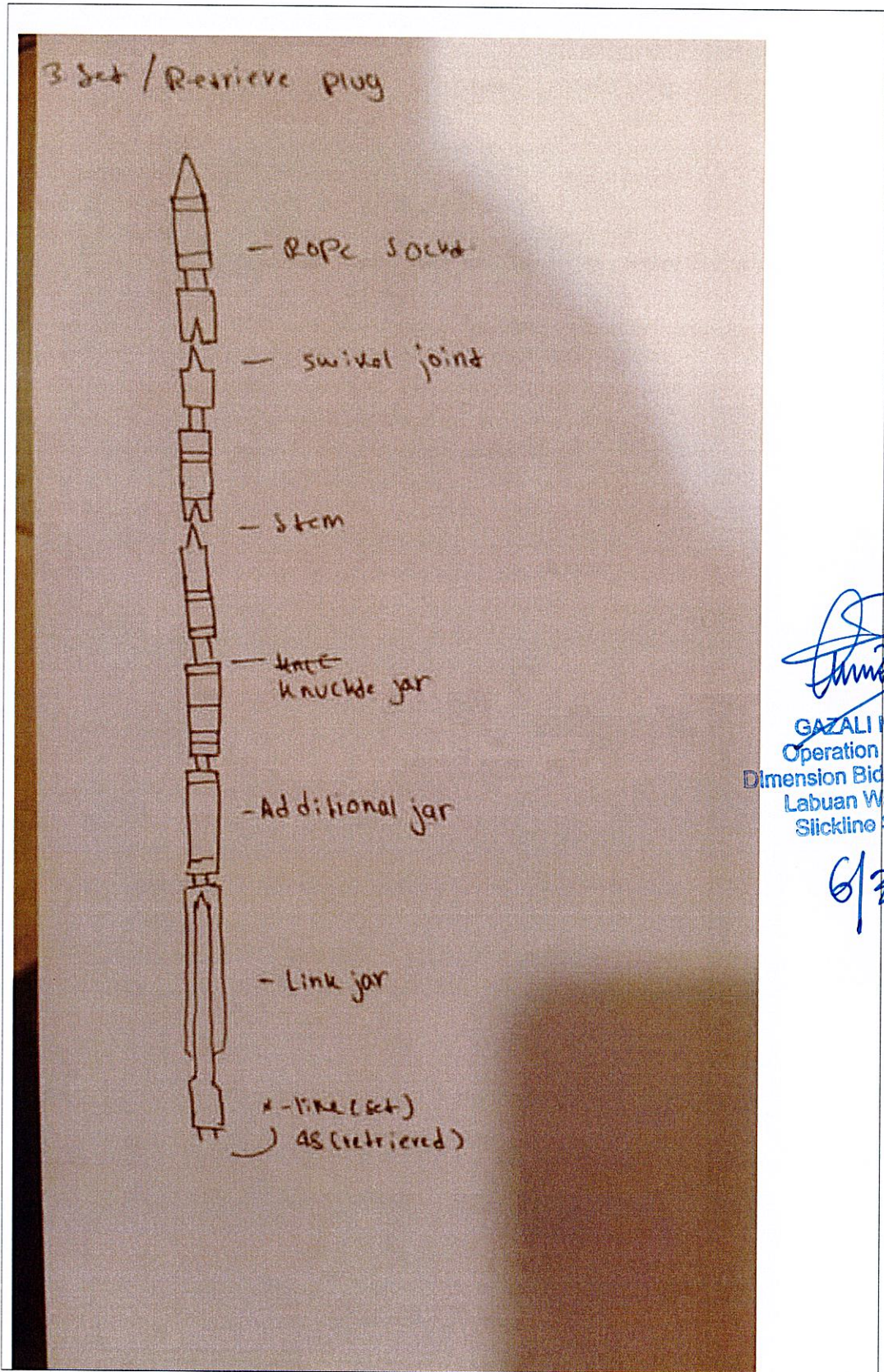



2. sinker bar run



GAZALI MEHRY
Operation Manager
Dimension Bid (M) Sdn Bhd
Labuan Warehouse
Slicking Services

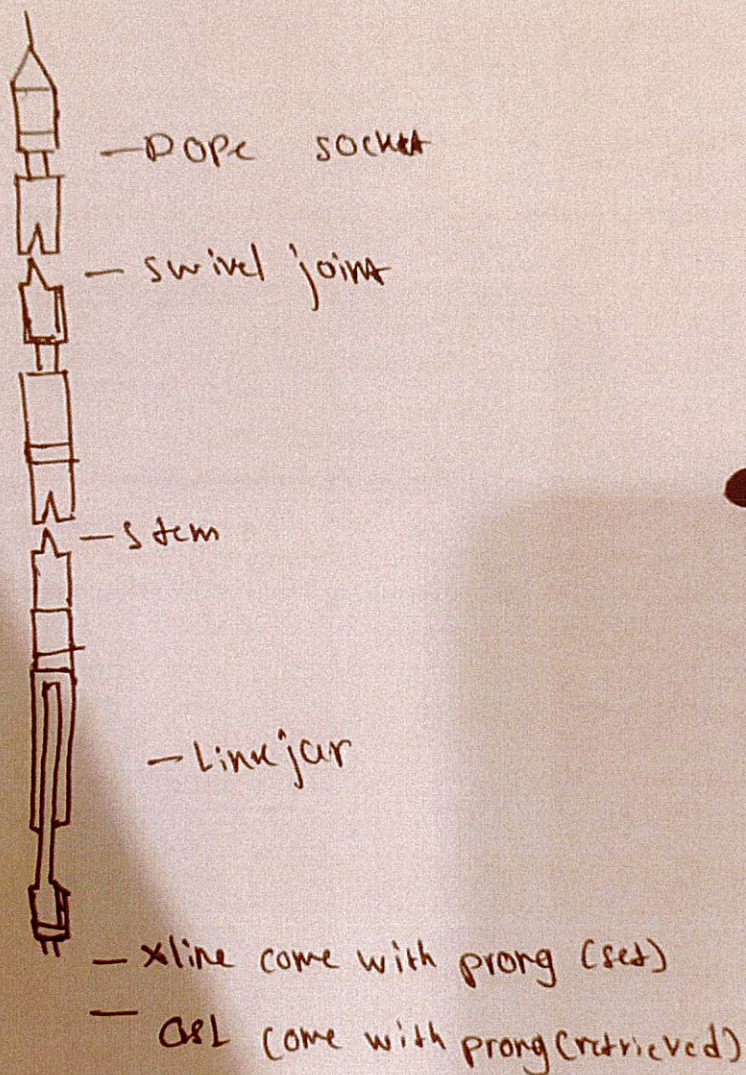
03/25




GAZALI MEHRY
Operation Manager
Dimension Bid (M) Sdn Bhd
Labuan Warehouse
Slickline Services
6/3/20



4. Set/Retrieve Insert valve



GAZALI MURTI
Operation Manager
Dimension Bid (M) Sdn Bhd
Labuan Warehouse
Slickline Services

6/3/25



DIMENSION BID

WELL INTERVENTION | PERFORATION SERVICES
