



SLICKLINE ASSISTANT WORKBOOK

IMPORTANT NOTE:

1. Your point of reference to complete this workbook may be obtained from the following
 - Training Manual and any other training materials provided together with this workbook
 - Your Trainer, Assessor (Slickline Operator), Verifier (FSM) or senior colleagues
 - SOP / Quality Procedures & Processors
2. The completion of this Workbook is a joint effort and responsibility between you and your assessor therefore you have the obligation to request from your assessor to be assessed upon your completion of each topic
3. The completion of this Workbook is part of the MANDATORY requirements which you must fulfill to qualify for a promotion
4. Your training program is mostly self-driven, including this Workbook. It requires individual initiatives, dedication and commitment to complete the process.

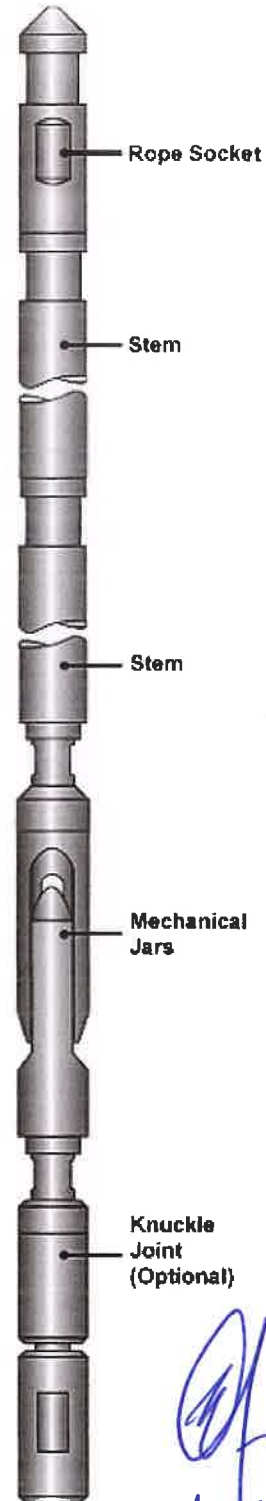
NAME	MUHAMMAD HAHMI BIN SHAMSUL BAHRI
DATE OF JOIN	04/07/2022
CONTACT NO.	018-9704660
RECEIVED DATE	04/07/2022
DATE COMPLETED	23/08/2023



C. DOWNHOLE EQUIPMENT

1. List out all basic running and pulling tools

No.	Items
✓ 1	GS pulling tool / running tool
✓ 2	GR
✓ 3	JUC
✓ 4	JUS
✓ 5	JDS
✓ 6	JDC
✓ 7	Rb
✓ 8	RS
✓ 9	SB pulling / running
✓ 10	SS
✓ 11	X-line running tool
✓ 12	Px running tool
✓ 13	PRS running tool
✓ 14	JK1 running tool
15	
16	
17	
18	
19	
20	

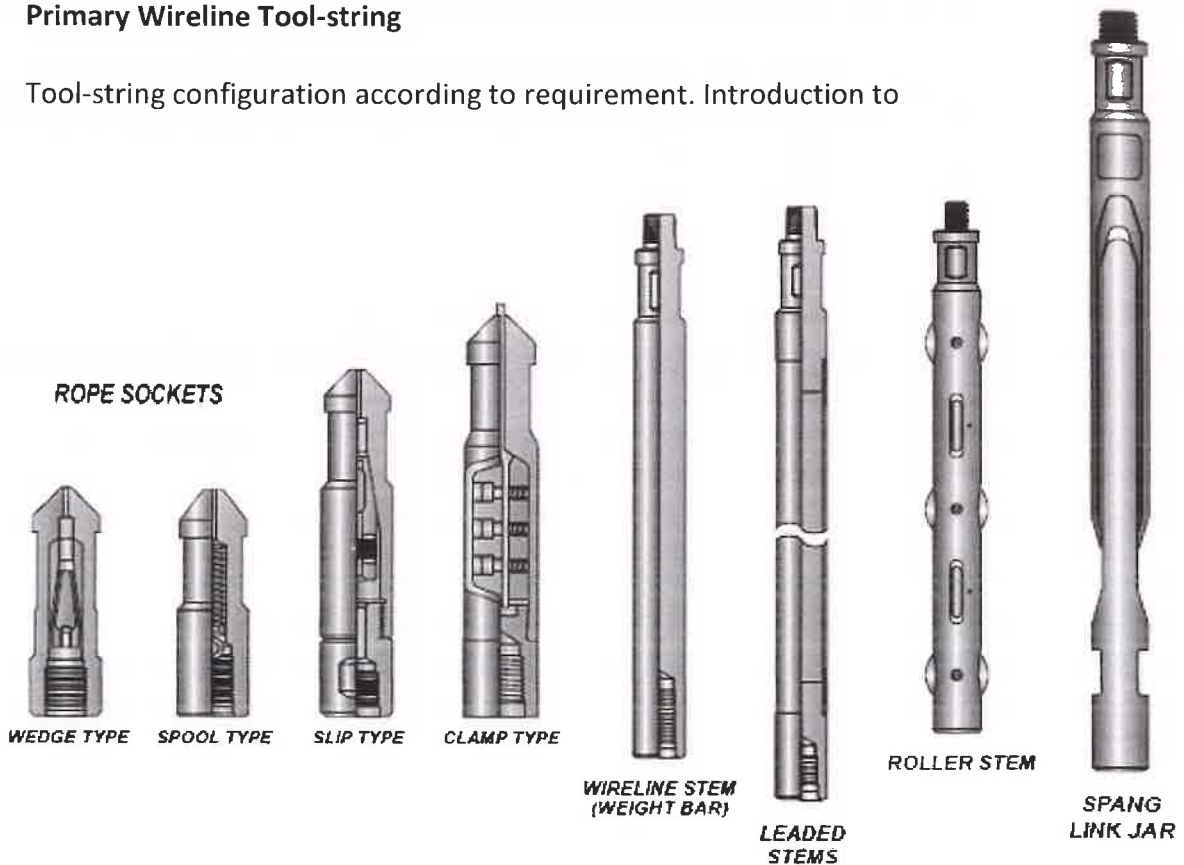


[Handwritten signature]
21/8/23



Primary Wireline Tool-string

Tool-string configuration according to requirement. Introduction to



a) rope sockets

✓ rope socket to provide link with the wire and tool string.

b) stem lead

✓ to add weight to the toolstring to overcome well pressure and friction and provide impact downhole

c) tungsten stem

✓ to provide greater weight for the same diameter and length the inside is filled with lead to provide maximum density.

d) roller stem

✓ additional to toolstring for deviated well to reduce the frictional losses against the tubing wall.

[Handwritten signature]
21/8/23



e) jars

✓ it is essential that the operator can recognise the precise opening and closing of the jar on weight indicator.



KNUCKLE JOINT



WIRELINE SWIVEL JOINT



QUICK LOCK COUPLING

f) ✓ knuckle joints, is permitted is of movement and should be used only when necessary



TU, CUT **BLIND BOX**

g) swivel joints,

✓ to prevent twisting of the wire in the following toolstring.

h) quick-lock coupling

✓ A faster method connecting toolstring component
Speed of toolstring

i) gauge cutter,

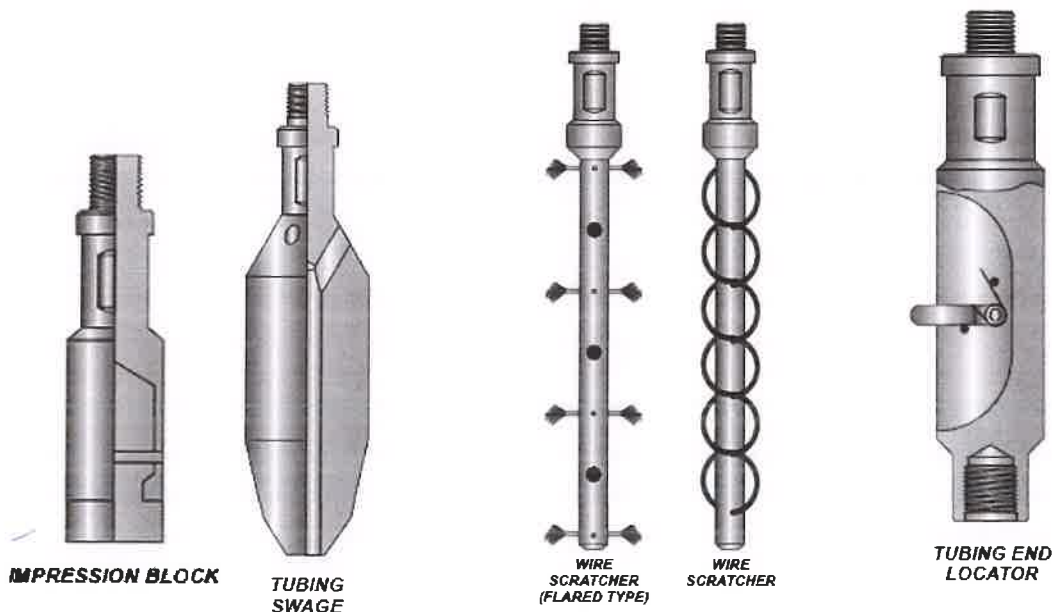
✓ to check tubing ID
Tag the total length

j) Blind Box

[Handwritten signature]
21/8/23



When heavy downhole jamming is required to dislodge a fish or pull something down hole



k) lead impression box

✓ to obtain a picture of downhole block in well

l) swage

✓ is used to restore light edgewise in tubing string

m) wire scratcher

✓ provide to clean ID tubing, nipple and profile

n) tubing end locator

✓ locate the end of production tubing - allowing the total depth to be measured

21/8/23



o) wire recover tool

✓ to locate and ball up the broken end of wire.

Fill up below Table

<p>A. Size of Wire that use at DB</p> <p>✓ 1. 0-108" ZERON</p> <p>✓ 2. 0-125" ZERON</p> <p>✓ 3. 0-140" ZERON</p>	<p>B. Breaking point of each wire</p> <p>✓ 1. 2500 LBS</p> <p>✓ 2. 3500 LBS</p> <p>✓ 3. 4050 CBS</p>
<p>C. Type of wire used at DB</p> <p>✓ 1. ZERON</p> <p>✓ 2. SUPA 75</p> <p>✓ 3. BRANDED WIRE</p>	<p>D. How to test if wire is good or not</p> <p>✓ 1. twist test</p> <p>✓ 2. strage test</p> <p>3.</p>
<p>E. Why do we need to check on the tools before running in hole (RIH)?</p> <p>✓ - TO ensure tools is good condition.</p> <p>- " is good function.</p> <p>✓ - TO prevent from tool break off inside the well</p>	
<p>F. What do we need to do if the tool is damage or lost in hole?</p> <p>✓ - inform supervisor on board - prepare for pulling job.</p> <p>✓ - get advice from tech</p> <p>✓ - secure the well</p>	

[Signature]
21/8/23



G. What do we need to do if equipment failed to work?

- ✓ Get advice from right person.
- ✓ Try to trouble shoot problem
- ✓ Get advice from town
- ✓ Have manual

[Signature]
21/8/23

D. Rig up Wireline Surface Equipment

a. List out all surface equipment (Surface and Pressure Gauge)