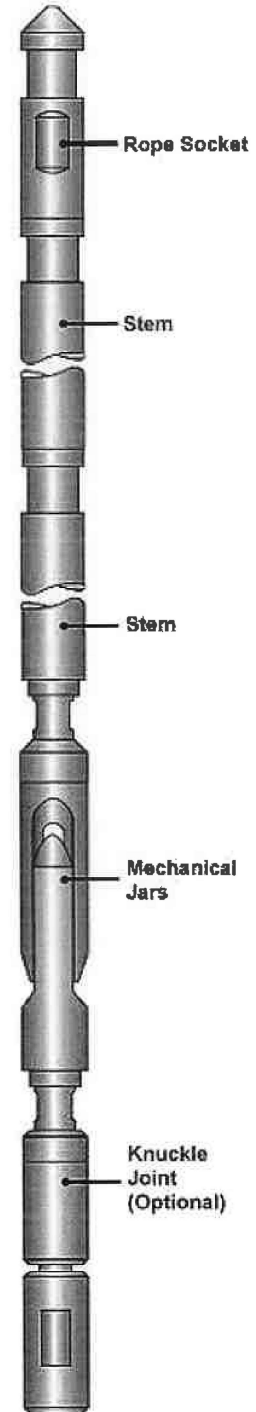


C. DOWNHOLE EQUIPMENT

1. List out all basic running and pulling tools

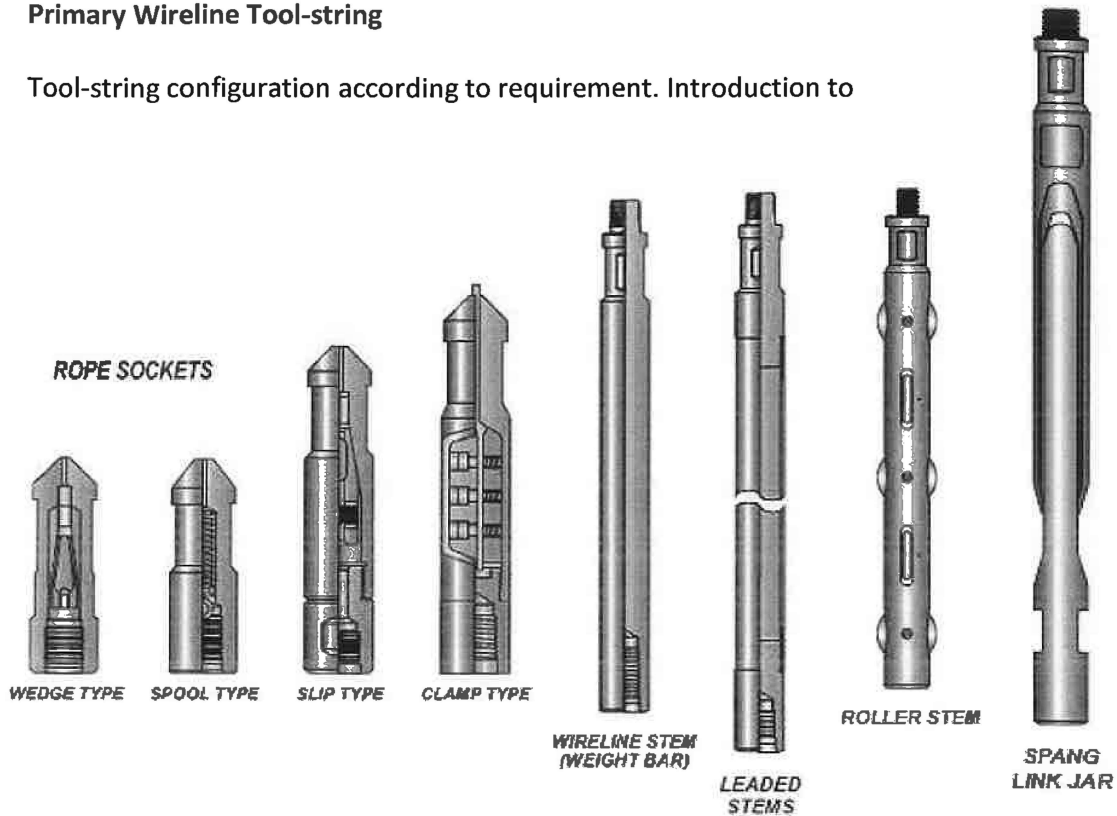
No.	Items
1	GS Pulling /Running Tool
2	GR Pulling Tool .
3	SB Pulling /Running Tool .
4	SS Pulling Tool
5	RB Pulling Tool
6	RS Pulling Tool .
7	JUS Pulling Tool .
8	JUC Pulling Tool .
9	JDS Pulling Tool .
10	JDC Pulling Tool .
11	X-LINE Running Tool .
12	PX Running tool
13	PPS Running tool
14	JK 1 Running Tool .
15	
16	
17	
18	
19	
20	

Handwritten signature and date: 01/6/23



Primary Wireline Tool-string

Tool-string configuration according to requirement. Introduction to



a) rope sockets

✓ To provide link with the wire and tool string.

b) stem lead

✓ To add weight tool string for overcome well pressure and function to provide impact downhole.

c) tungsten stem

✓ To provide greater weight for the same diameter and length the inside is filled with lead to provide maximum density.

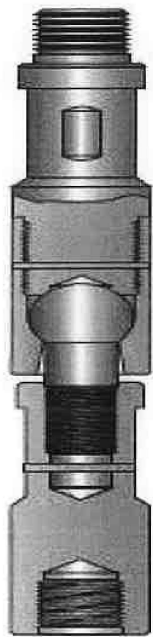
d) roller stem

✓ Additional for toolstring for denatured well to reduce the functional losses against tubing well.

Moof
12/6/23



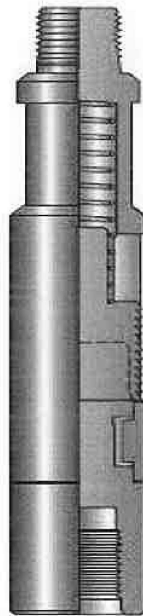
e) jars
 ✓ It is essential that the operator can recognise the precise opening and closing of the jar on weight indicator.



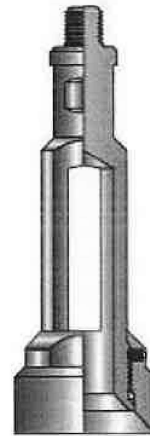
KNUCKLE JOINT



WIRELINE SWIVEL JOINT



QUICK LOCK COUPLING



TUBING GAUGE CUTTER RING SET



BLIND BOX

f) knuckle joints,
 ✓ Is permitted of movement and should be used only when necessary and high deviation angle of well.

g) swivel joints,
 ✓ To prevent twisting of the wire in the following toolstring.

h) quick-lock coupling
 ✓ - A faster method connection toolstring component.
 - Save time when makeup toolstring.

WLOF
 19/6/23

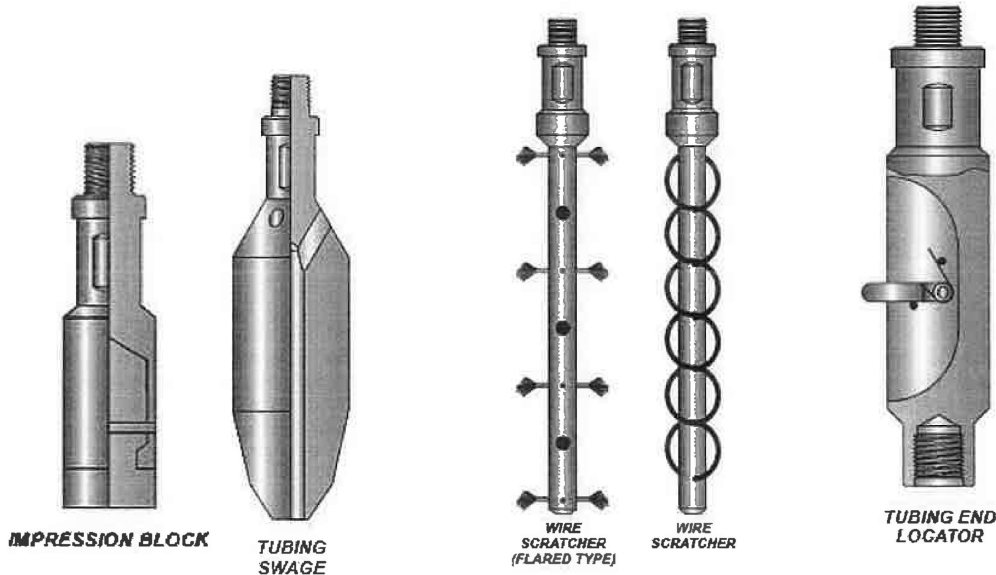


i) gauge cutter,

- ✓ - Tubing clearance.
- ✓ - check tubing ID.
- ✓ - Tag total depth.

ii) Blind Box

- ✓ When heavy down hole jarring is required to diagnose a fish or pull something in down hole.



k) lead impression box

- ✓ To obtain a picture of downhole block in well.

l) swage

- ✓ Used to restore light oblique in tubing string.

m) wire scratcher

- ✓ - To clean lb tubing, nipple and profile.

Map
12/6/23

n) tubing end locator

- ✓ - Locate the end of production tubing .
- Allowing the total depth to be measured .

o) wire recover tool

- ✓ - To locate and ball up the damaged end of wire .

Fill up below Table

<p>✓ A. Size of Wire that use at DB</p> <p>1. 0.108" ZERON / SUPA</p> <p>2. 0.125" ZERON / SUPA</p> <p>3. 0.140" ZERON</p>	<p>✓ B. Breaking point of each wire</p> <p>1. 2500 LBS</p> <p>2. 3300 LBS</p> <p>3. 4050 LBS</p>
<p>✓ C. Type of wire used at DB</p> <p>1. EIPS</p> <p>2. ZERON / SUPA</p> <p>3. BRAIDED BRAIDED WIRE</p>	<p>✓ D. How to test if wire is good or not</p> <p>1. Twist test .</p> <p>2. Strength test .</p> <p>3.</p>
<p>✓ E. Why do we need to check on the tools before running in hole (RIH)?</p> <ul style="list-style-type: none"> - To ensure tools in good condition and function . - To prevent from tool break-off inside the well . <p style="text-align: right;">MJP 19/6/23</p>	



✓ F. What do we need to do if the tool is damage or lost in hole?

- Report to supervisor on board .
- Get advised from town .
- Prepared for fishing job .
- Secured the well .

✓ G. What do we need to do if equipment failed to work?

- Try to troubleshoot problem .
- Get advice from town .
- Get advise from experience person .
- Refer to manual book .

Neef
19/06/22