

SINKER BAR SPECIFICATIONS

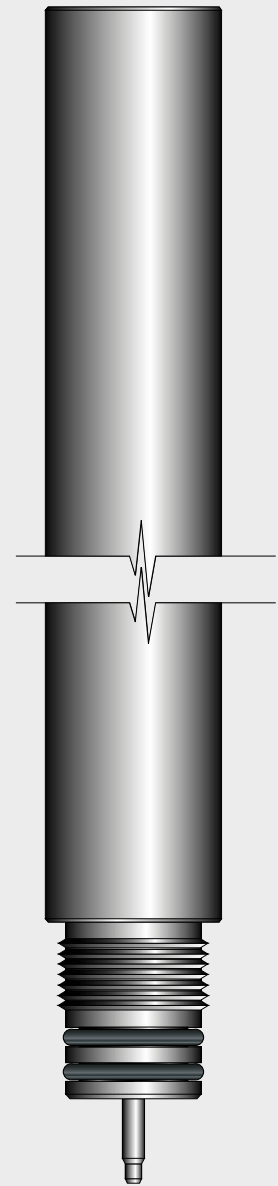


SINKER BARS

Sinker Bars

AES sinker bars are manufactured in steel, lead and tungsten.

Parameters	Imperial	Metric
OD Size:	5/8" – 2"	15.9 mm - 50.8 mm
Length:	3', 5' and 7'	0.9 m, 1.5 m and 2.1 m
Weight:	2.5lbs to 130lbs	1.1kg to 59kg
Temperature:	500°F	260°C
Pressure:	21,000psi	144 MPa



**APPLIED
ELECTRONIC
SYSTEMS**

a **Sondex** company
www.aesla.com

SINKER BAR PRODUCT RANGES

Part No.	Description	Weight	Page
----------	-------------	--------	------

5/8" - 11/16" - Non Contact

AS0-0004	AES 5/8" x 2-1/2 ft. Sinker Bar Assy	3lbs - 1.3kgs	SB0-4
----------	--------------------------------------	---------------	-------

NOTE: Thread size on this size range is 1/2" - 20 UNF

5/8" - 11/16" - Contact

AS0-0013	AES 5/8" X 3 ft. Sinker Bar Assy	3lbs - 1.3kgs	SB0-4
AS1-0013	AES 11/16" X 3 ft. Sinker Bar Assy	4lbs - 1.8kgs	SB0-4

NOTE: Thread size on this size range is 1/2" - 20 UNF

3/4" - Steel Bars

AS2-0005	3/4" X 5' Steel Sinker Bar Assy	8lbs - 3.6kgs	SB0-5
----------	---------------------------------	---------------	-------

NOTE: Thread size on this size range is .555-28 STUB ACME-3G

1" - Steel Bars

AS3-0004	1" x 5' Sinker Bar Assy	13lbs - 5.9kgs	SB0-6
----------	-------------------------	----------------	-------

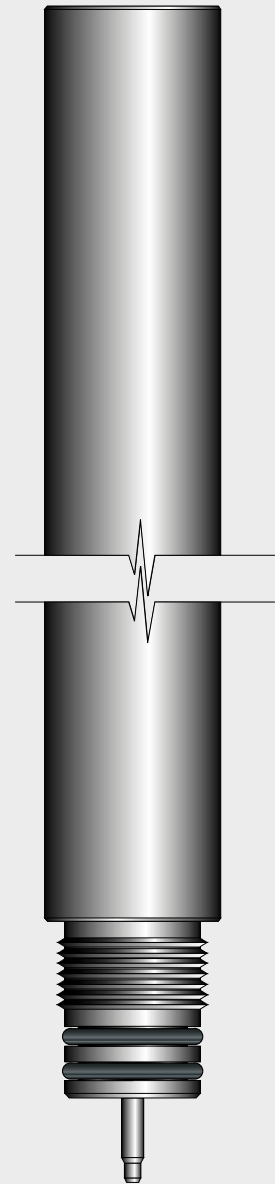
NOTE: Thread size on this size range is 3/16" - 16 UN

1" - Tungsten Bars

AS3-0016	1" x 5' Tungsten Sinker Bar Assy	13lbs - 5.9kgs	SB0-6
AS3-0017	1" x 7' Tungsten Sinker Bar Assy	13lbs - 5.9kgs	SB0-6

NOTE: Thread size on this size range is 3/16" - 16 UN

Continued Next Page



**APPLIED
ELECTRONIC
SYSTEMS**

a **Sondex** company
www.aesla.com

SINKER BAR PRODUCT RANGES

Part No.	Description	Weight	Page
----------	-------------	--------	------

1-3/8" - 2" - Steel Bars

AS4-0004	1 3/8" X 5' Steel Sinker Bar Assy	23 lbs - 10.40 kgs	SB0-7
AS5-0016	1 7/16" X 5' Steel Sinker Bar Assy	23 lbs - 10.40 kgs	SB0-7
AS6-0002	1 11/16" X 5' Steel Sinker Bar Assy	36 lbs - 16.30 kgs	AOR
AS9-0059	2" X 5' Steel Sinker Bar Assy	51 lbs - 23.13 kgs	AOR

NOTE: Thread size on this size range is 1 3/16" - 12 UN

1-3/8" - 2" - Tungsten Bars

AS4-0009	1 3/8" X 5' Tungsten Sinker Bar Assy	38 lbs - 17.20 kgs	SB0-7
AS4-0015	1 3/8" X 7' Tungsten Sinker Bar Assy	55 lbs - 25.00 kgs	SB0-7
AS5-0004	1 7/16" X 5' Tungsten Sinker Bar Assy	42 lbs - 19.00 kgs	SB0-7
AS5-0005	1 7/16" X 7' Tungsten Sinker Bar Assy	57 lbs - 25.90 kgs	SB0-7
AS6-0003-1	1 11/16" X 3' Tungsten Sinker Bar Assy	35 lbs - 15.90 kgs	SB0-7
AS6-0003	1 11/16" X 5' Tungsten Sinker Bar Assy	60 lbs - 27.20 kgs	SB0-7
AS6-0004	1 11/16" X 7' Tungsten Sinker Bar Assy	85 lbs - 38.50 kgs	SB0-7
AS9-0001	2" X 5' Tungsten Sinker Bar Assy	93 lbs - 42.10 kgs	SB0-7
AS9-0002	2" X 7' Tungsten Sinker Bar Assy	130 lbs - 59.00 kgs	SB0-7
AS5-0004SR*	1 7/16" X 5' Tungsten Sinker Bar Assy - 5/8" Sucker Rod	42 lbs - 19.00 kgs	AOR
AS6-0003SR*	1 11/16" X 5' Tungsten Sinker Bar Assy - 5/8" Sucker Rod	57 lbs - 25.90 kgs	AOR
AS6-0050 OTL	1 11/16" X 5' Tungsten Over The Line Sinker Bar	61 lbs - 27.67 kgs	AOR
AS6-0051 OTL	1 11/16" X 7' Tungsten Over The Line Sinker Bar	86 lbs - 39.00 kgs	AOR
AS9-0035 OTL	2" X 5' Tungsten Over the line Sinker Bar	94 lbs - 42.63 kgs	AOR

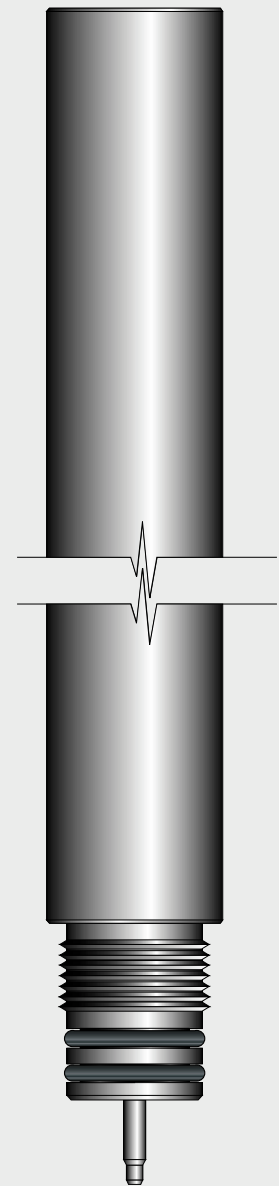
NOTE: Thread size on this size range is 1 3/16" - 12 UN

*Sucker Rod Connections

1-3/8" - 2" - Lead Bars

AS4-0099	1 3/8" X 7' Lead Sinker Bar Assy	42 lbs - 19.00 kgs	AOR
AS5-0020	1 7/16" X 3' Lead Sinker Bar Assy	19 lbs - 8.60 kgs	SB0-7
AS5-0021	1 7/16" X 5' Lead Sinker Bar Assy	32 lbs - 14.50 kgs	SB0-7
AS5-0022	1 7/16" X 7' Lead Sinker Bar Assy	45 lbs - 20.40 kgs	SB0-7
AS6-0032	1 11/16" X 3' Lead Sinker Bar Assy	26 lbs - 11.80 kgs	SB0-7
AS6-0033	1 11/16" X 5' Lead Sinker Bar Assy	45 lbs - 20.40 kgs	SB0-7
AS6-0034	1 11/16" X 7' Lead Sinker Bar Assy	63 lbs - 28.60 kgs	SB0-7
AS9-0022	2" X 3' Lead Sinker Bar Assy	38 lbs - 17.20 kgs	SB0-7
AS9-0023	2" X 5' Lead Sinker Bar Assy	66 lbs - 29.90 kgs	SB0-7
AS9-0024	2" X 7' Lead Sinker Bar Assy	94 lbs - 42.60 kgs	SB0-7

NOTE: Thread size on this size range is 1 3/16" - 12 UN



**APPLIED
ELECTRONIC
SYSTEMS**

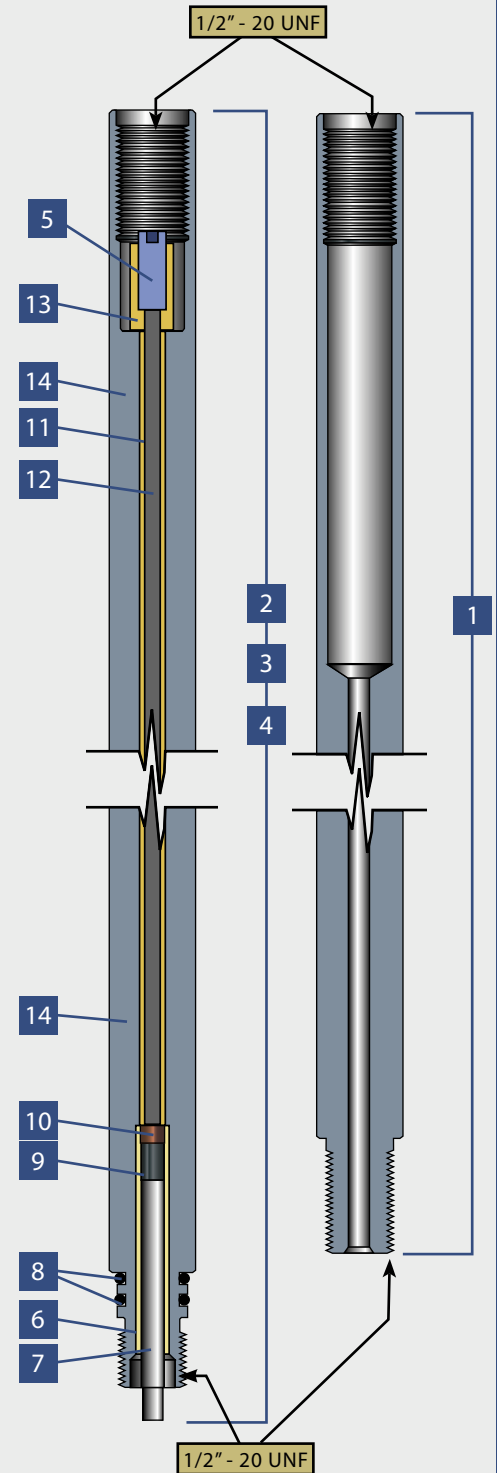
a **Sondex** company

www.aesla.com

SINKER BAR COMPONENTS

5/8" - 11/16" Sinker Bars

Ref.	Part No.	Description
1	ASO-0004	5/8" x 2-1/2' Assy
2	ASO-0013	5/8" x 3' Assy
3	AS1-0013	11/16" x 3' Assy
4	Kit-0-0013	Complete Kit Assy
5	0.687-0012	4-40 Contact Receptacle
6	B00-0032	Insulating Sleeve
7	CON-0011	Spring Loaded Contact
8	000-0012	O-Rings: 012
9	0.687-0031	Crossover Contact
10	0.687-0002	Insulating Washer
11	Boo-0102	Insulating Sleeve
12	0.625-0062	4-40 Contact Rod - 33 7/8" LG.
13	0.687-0003	Contact Insulator
14	0.625-0046	3 ft. Sinker Bar Body (5/8" OD)
	0.687-0084	3 ft. Sinker Bar Body (11/16" OD)



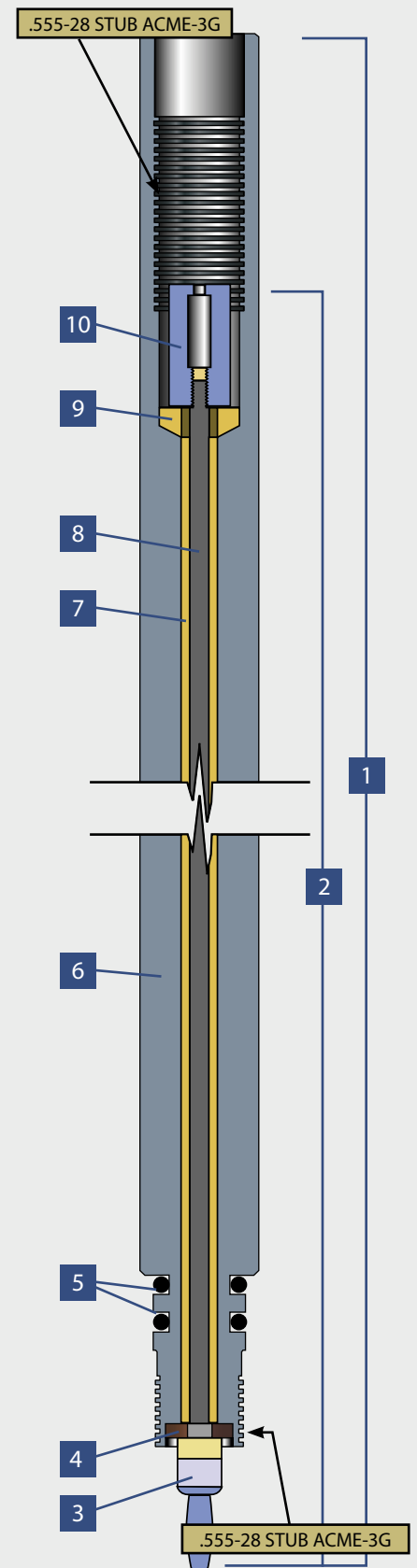
**APPLIED
ELECTRONIC
SYSTEMS**

a **Sondex** company
www.aesla.com

SINKER BAR COMPONENTS

3/4" Sinker Bars

Ref.	Part No.	Description
1	AS2-0005	3/4" x 5' Sinker Bar Assy (Steel)
2	KIT-2-0005	Complete Kit Assy*
3	CON-0004	6-32 Banana Plug
4	0.437-0001	Insulating Washer
5	000-0110	O-Rings: 110
6	0.750-0030	3/4" Sinker Bar Body
7	B00-101	Insulating Sleeve
8	0.750-0010	6-32 Contact Rod
9	0.500-0004	Beveled Insulating Washer
10	1.-0031	6-32 Contact Receptacle
11	0.750-0092	3/4" GO Box Protector
12	0.750-0091	3/4" GO Pin Protector



**APPLIED
ELECTRONIC
SYSTEMS**

a **Sondex** company

www.aesla.com

SB0-5

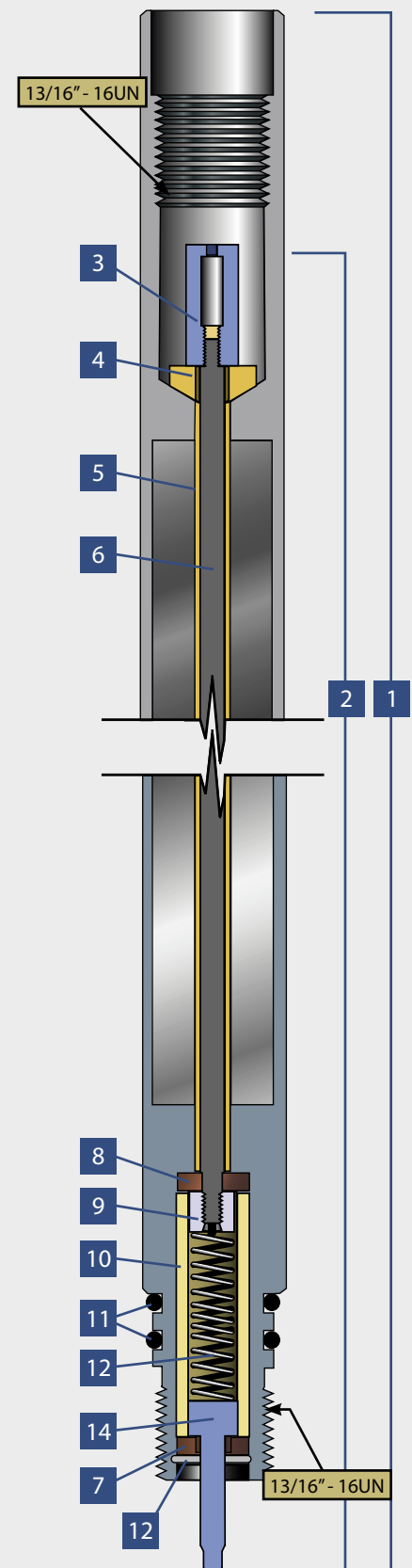
SINKER BAR COMPONENTS

1" Sinker Bars

Ref.	Part No.	Description
1	AS3-0004	1" x 5' Sinker Bar Assy
	1.0065	1" x 5' Sinker Bar Body
	AS3-0016	1" x 5' Tungsten Sinker Bar Assy
	AS3-0017	1" x 7' Tungsten Sinker Bar Assy
2	KIT-30004	Complete Kit Assy* (5' Steel Plunger)
	KIT-30004B	Complete Kit Assy* (5' Steel/Banana Plug)
	KIT-30016	Complete Kit Assy* (5' Tungsten Plunger)
	KIT-30016B	Complete Kit Assy* (5' Tungsten/Banana Plug)
	KIT-30017	Complete Kit Assy* (7' Tungsten Plunger)
	KIT-30017B	Complete Kit Assy* (7' Tungsten/Banana Plug)
3	1.0087B	10-32 Contact Receptacle
4	1.0086	Beveled Insulating Washer
5	BOO-0032	Insulating Sleeve
6	1.0221	10-32 Contact Rod (5' Steel Plunger)
	1.0221B	10-32 Contact Rod (5' Steel/Banana Plug)
	1.0221	10-32 Contact Rod (5' Tungsten Plunger)
	1.0222	10-32 Contact Rod (5' Tungsten/Banana Plug)
	1.0221B	10-32 Contact Rod (7' Tungsten Plunger)
	1.0222B	10-32 Contact Rod (7' Tungsten/Banana Plug)
7	1.0041	Insulating Washer
8	1.3750081	10-32 Spacer Contact
9	1.0042	Contact Insulator
10	000-0115	C-67 O-Ring: 115
11	1.0037	Contact Spring
12	HOO-0065	Retainer Ring
13	1.0033	Contact Plunger

*Does not include O-Rings.

**Specify length when ordering.



**APPLIED
ELECTRONIC
SYSTEMS**

a **Sondex** company

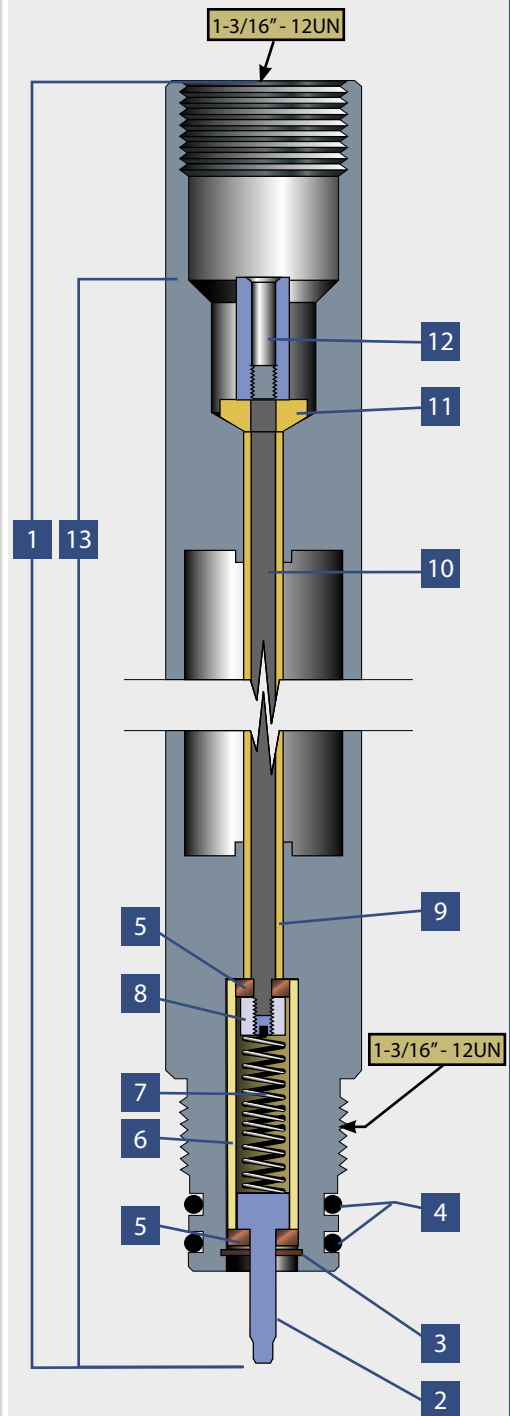
www.aesla.com

SB0-6

SINKER BAR COMPONENTS

1-3/8" - 2" Sinker Bars

Ref.	Part No.	Description
1	AS4-0004	1 3/8" X 5' Steel Sinker Bar Assy
	AS5-0016	1 7/16" X 5' Steel Sinker Bar Assy
	AS6-0002	1 11/16" X 5' Steel Sinker Bar Assy
	AS4-0009	1 3/8" X 5' Tungsten Sinker Bar Assy
	AS4-0015	1 3/8" X 7' Tungsten Sinker Bar Assy
	AS5-0004	1 7/16" X 5' Tungsten Sinker Bar Assy
	AS5-0005	1 7/16" X 7' Tungsten Sinker Bar Assy
	AS6-0003-1	1 11/16" X 3' Tungsten Sinker Bar Assy
	AS6-0003	1 11/16" X 5' Tungsten Sinker Bar Assy
	AS6-0004	1 11/16" X 7' Tungsten Sinker Bar Assy
	AS9-0001	2" X 5' Tungsten Sinker Bar Assy
	AS9-0002	2" X 7' Tungsten Sinker Bar Assy
	AS5-0020	1 7/16" X 3' Lead Sinker Bar Assy
	AS5-0021	1 7/16" X 5' Lead Sinker Bar Assy
	AS5-0022	1 7/16" X 7' Lead Sinker Bar Assy
	AS6-0032	1 11/16" X 3' Lead Sinker Bar Assy
	AS6-0033	1 11/16" X 5' Lead Sinker Bar Assy
	AS6-0034	1 11/16" X 7' Lead Sinker Bar Assy
	AS9-0022	2" X 3' Lead Sinker Bar Assy
AS9-0023	2" X 5' Lead Sinker Bar Assy	
AS9-0024	2" X 7' Lead Sinker Bar Assy	
2	1.0033	Contact Plunger
3	HOO-0065	Retainer Ring
4	OOO-0211	C-67 211 O-Ring
5	1.0041	Insulating Washer
6	1.0042	Contact Insulator
7	1.0037	Contact Spring
8	1.375-0081	Contact Nut
9	BOO-0032	Insulating Sleeve
10	1.375-0393	Contact Thru Rod For 3' Bars (Plunger Contact)
	1.375-0296	Contact Thru Rod For 5' BARS (Plunger Contact)
	1.375-0184	Contact Thru Rod For 7' BARS (Plunger Contact)
11	1.0086	Insulating Bevel Washer
12	1.0087A	Contact Receptacle
13	KIT-6-0032	All 3' Bars Listed Above (Plunger Contact)
	KIT-4-0004	All 5' Bars Listed Above (Plunger Contact)
	KIT-4-0015	All 7' Bars Listed Above (Plunger Contact)



**APPLIED
ELECTRONIC
SYSTEMS**

a **Sondex** company
www.aesla.com