

# SLICKLINE ASSISTANT WORKBOOK

**IMPORTANT NOTE:**

1. Your point of reference to complete this workbook may be obtained from the following
  - Training Manual and any other training materials provided together with this workbook
  - Your Trainer, Assessor (Slickline Operator), Verifier (FSM) or senior colleagues
  - SOP / Quality Procedures & Processors
2. The completion of this Workbook is a joint effort and responsibility between you and your assessor therefore you have the obligation to request from your assessor to be assessed upon your completion of each topic
3. The completion of this Workbook is part of the MANDATORY requirements which you must fulfill to qualify for a promotion
4. Your training program is mostly self-driven, including this Workbook. It requires individual initiatives, dedication and commitment to complete the process.

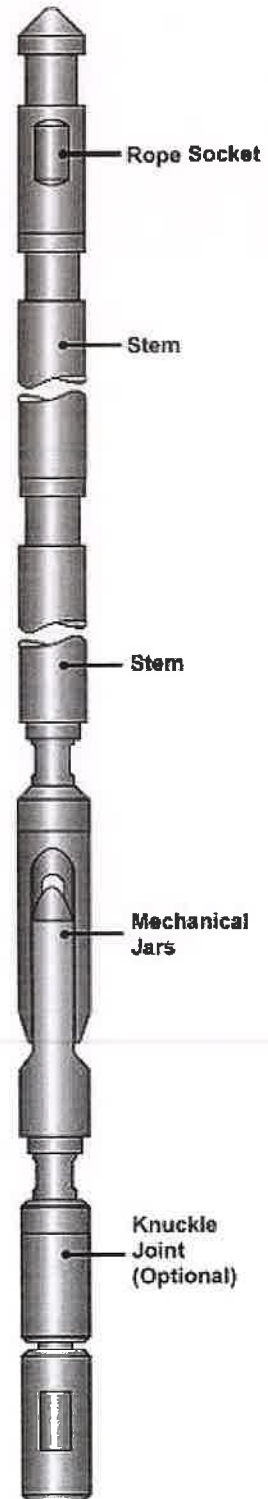
NAME	MUHAMMAD AOIB HAZIM B. ROZALI
DATE OF JOIN	13/03/2022
CONTACT NO.	013-9071599
RECEIVED DATE	05/04/2022
DATE COMPLETED	24/9/23



**C. DOWNHOLE EQUIPMENT**

1. List out all basic running and pulling tools

No.	Items
✓ 1	GS Pulling / Running Tool
✓ 2	GR Pulling Tool
✓ 3	SB Pulling / Running Tool
✓ 4	SS Pulling Tool
✓ 5	RB Pulling Tool
✓ 6	RS Pulling Tool
✓ 7	JUS Pulling Tool
✓ 8	JUC Pulling Tool
✓ 9	JDS Pulling Tool
✓ 10	JDC Pulling tool
✓ 11	κ- LINE Running Tool
✓ 12	PXL Running Tool
✓ 13	PRS Running Tool
✓ 14	JK- 1 Running Tool
15	
16	
17	
18	
19	
20	

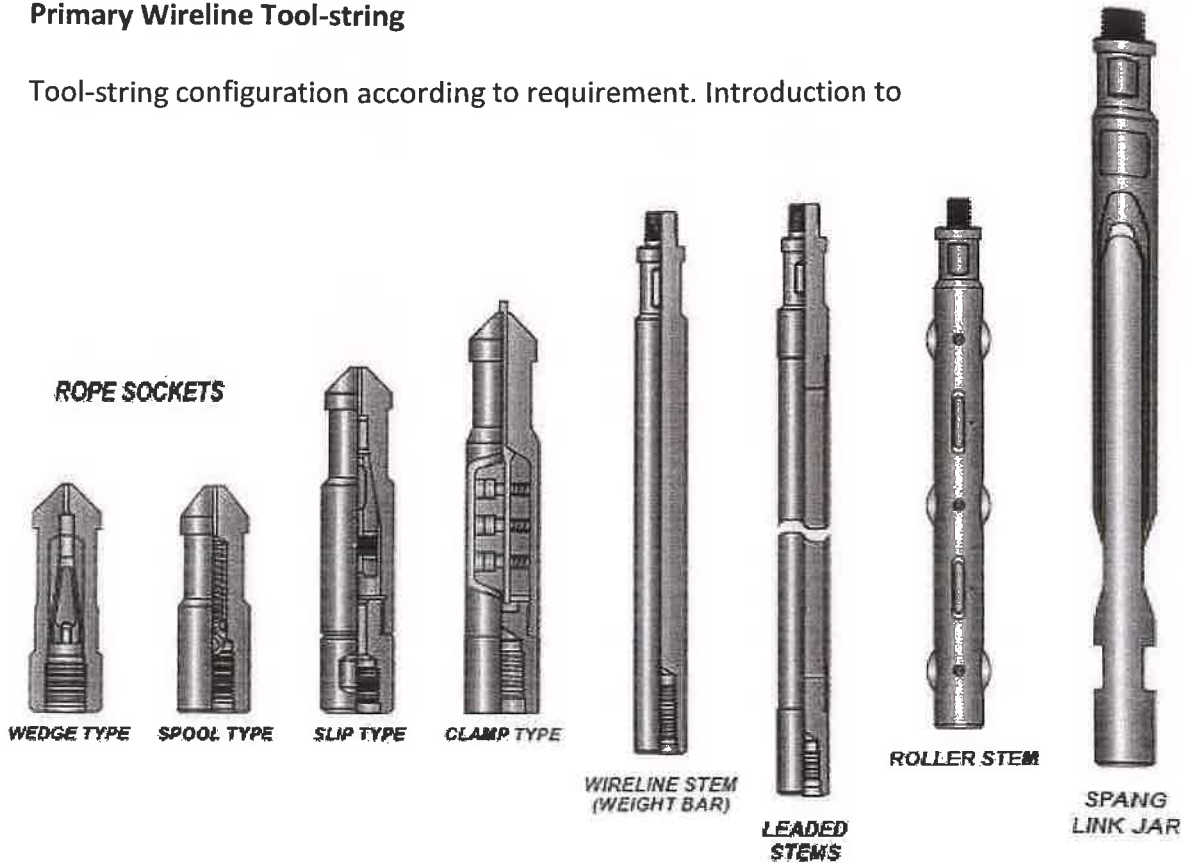


*Alph James 20/06/23*



**Primary Wireline Tool-string**

Tool-string configuration according to requirement. Introduction to



- a) ✓ rope sockets  
To provide link with the wire and tool string.
- b) ✓ stem lead  
To add weight toolstring for overcome well pressure and function to provide impact downhole.
- c) ✓ tungsten stem  
To provide greater weight for the same diameter and length the inside is filled with lead to provide maximum density.
- d) ✓ roller stem  
Additional for toolstring for deviated well to reduce the functional losses against tubing well.

*Handwritten signature and date: 20/06/23*



e) jars  
It is essential that the operator can recognise the precise opening and closing of the jar on weight indicator.



**KNUCKLE JOINT**



**WIRELINE SWIVEL JOINT**



**QUICK LOCK COUPLING**



**TUBING GAUGE CUTTER RING SET**



**BLIND BOX**

f) knuckle joints, is permitted of movement and should be used only when necessary and high deviation angle of well.

g) swivel joints, To prevent twisting of the wire in the following toolstring.

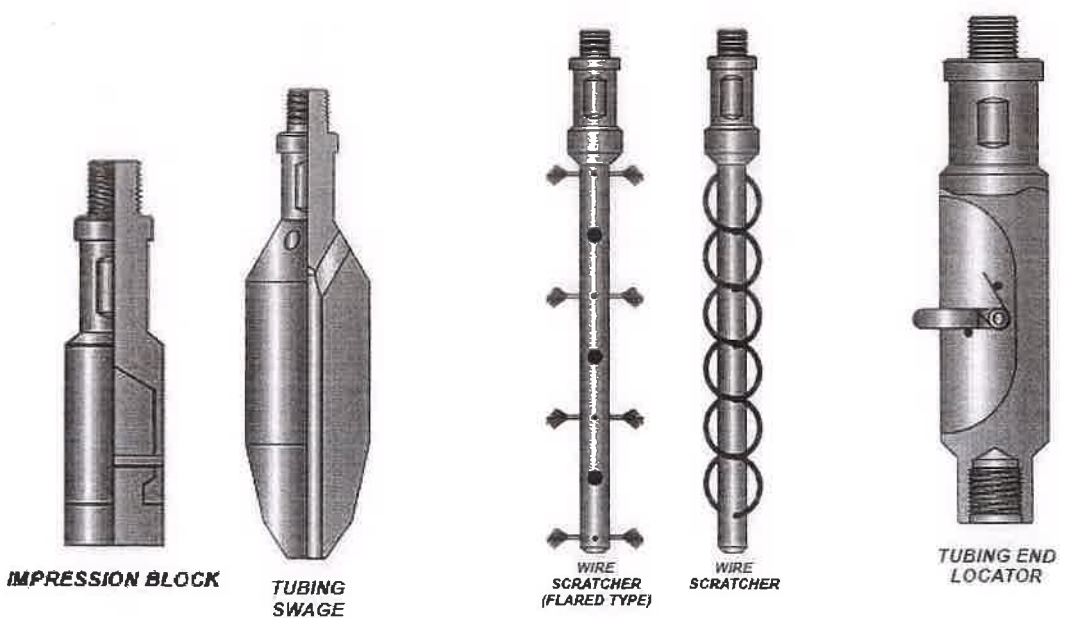
h) quick-lock coupling  
- A faster method connection toolstring component  
- Save time when makeup toolstring.

*James 20/06/20*



i) gauge cutter,  
 - Tubing clearance  
 - check tubing ID.

j) Blind Box  
 When heavy down hole jarring is required to diagnose a fish or pull something in down hole.



k) lead impression box  
 To obtain a picture of downhole block in well.

l) swage  
 Used to restore light collapse in tubing string.

m) wire scratcher  
 - To clean lb tubing, nipple and profile.

*James 20/06/23*



n) tubing end locator

- Locate the end of production tubing.
- Allowing the total depth to be measured.

o) wire recover tool

- To locate and ball up the damaged end of wire.

Fill up below Table

<p>A. Size of Wire that use at DB</p> <ol style="list-style-type: none"> <li>0.108" ZERON / SUPA</li> <li>0.125" ZERON / SUPA</li> <li>0.140" ZERON</li> </ol>	<p>B. Breaking point of each wire</p> <ol style="list-style-type: none"> <li>2500 LBS</li> <li>3300 LBS</li> <li>4050 LBS</li> </ol>
<p>C. Type of wire used at DB</p> <ol style="list-style-type: none"> <li>EIPS</li> <li>ZERON / SUPA</li> <li>BRAIDED <del>BRAIDED</del> WIRE</li> </ol>	<p>D. How to test if wire is good or not</p> <ol style="list-style-type: none"> <li>Twist test.</li> <li>Strength test.</li> <li>WRAP TEST</li> </ol>
<p>E. Why do we need to check on the tools before running in hole (RIH)?</p> <ul style="list-style-type: none"> <li>- To ensure tools in good condition and function.</li> <li>- To prevent from tool break-off inside the well.</li> </ul> <p><i>James 20/06/23</i></p>	



F. What do we need to do if the tool is damage or lost in hole?

- ✓ - Report to supervisor on board .
- ✓ - Get advised from town :
- ✓ - Give Problem Report to town .

G. What do we need to do if equipment failed to work?

- ✓ - Try to trouble shoot problem .
- ✓ - Get advice from town .
- ✓ - Give Problem Report to town .

*James* 20/06/23